



US00D639870S

(12) **United States Design Patent**
Madsen

(10) **Patent No.:** **US D639,870 S**

(45) **Date of Patent:** **** Jun. 14, 2011**

(54) **CONSTRUCTION SET TOY ELEMENT**

(75) **Inventor:** **Bjarke Lykke Madsen**, Billund (DK)

(73) **Assignee:** **Lego A/S**, Billund (DK)

(**) **Term:** **14 Years**

(21) **Appl. No.:** **29/366,767**

(22) **Filed:** **Jul. 29, 2010**

(30) **Foreign Application Priority Data**

Feb. 2, 2010 (EM) 001664368

(51) **LOC (9) Cl.** **21-01**

(52) **U.S. Cl.** **D21/494; D21/502**

(58) **Field of Classification Search** D21/484,
D21/485, 486, 489-495, 499, 500-505; 446/69,
446/85, 102-128; 434/208, 259, 403; 273/153,
273/156, 160

See application file for complete search history.

(56) **References Cited**

U.S. PATENT DOCUMENTS

D342,555 S *	12/1993	Berggreen	D21/501
D351,005 S *	9/1994	Hojlund et al.	D21/501
D360,658 S *	7/1995	Voldmester et al.	D21/501
D371,584 S *	7/1996	Knudsen	D21/489
D384,989 S *	10/1997	Andersen	D21/491
D616,504 S *	5/2010	Andersen	D21/491

* cited by examiner

Primary Examiner — Cynthia M Chin

(74) *Attorney, Agent, or Firm* — Day Pitney LLP

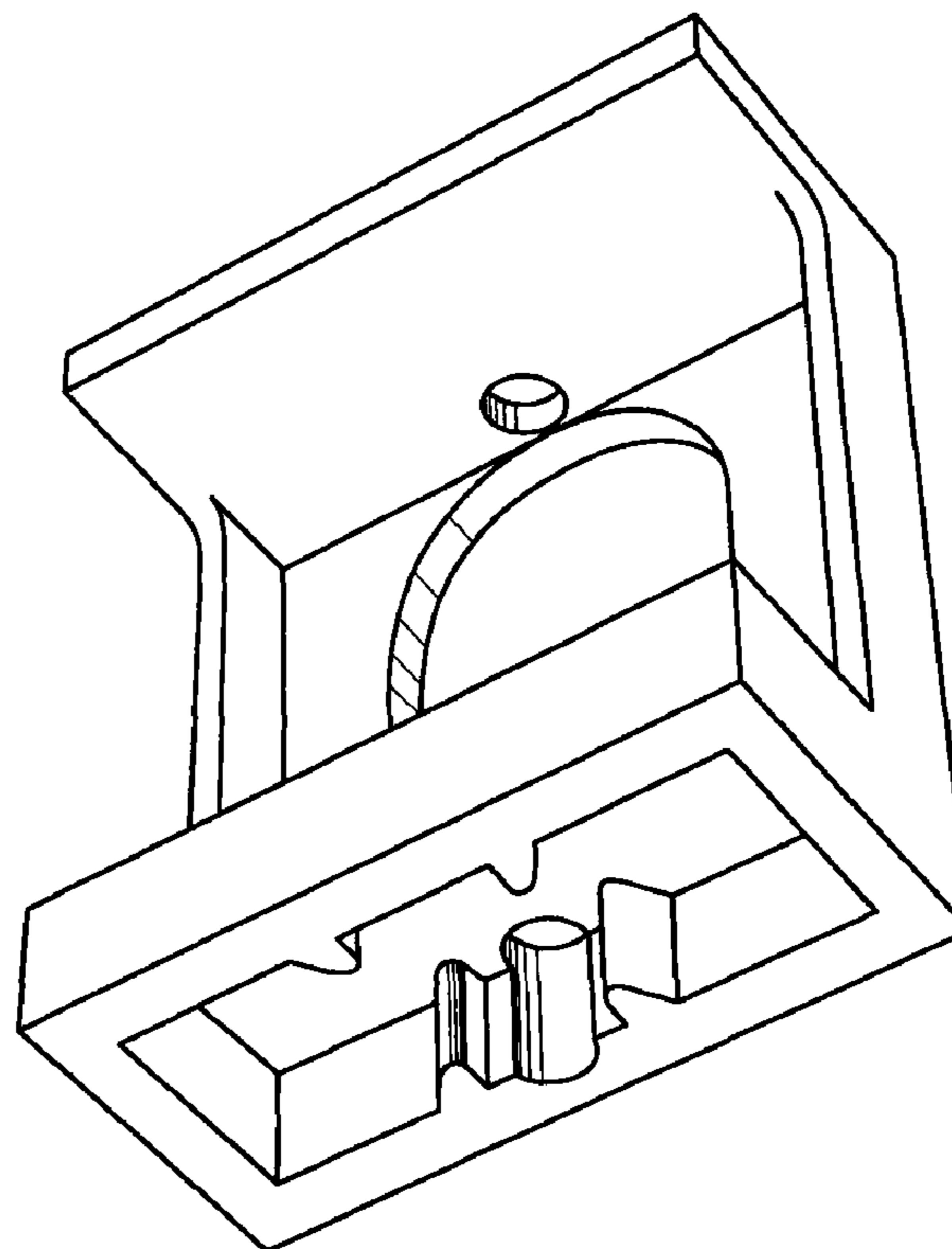
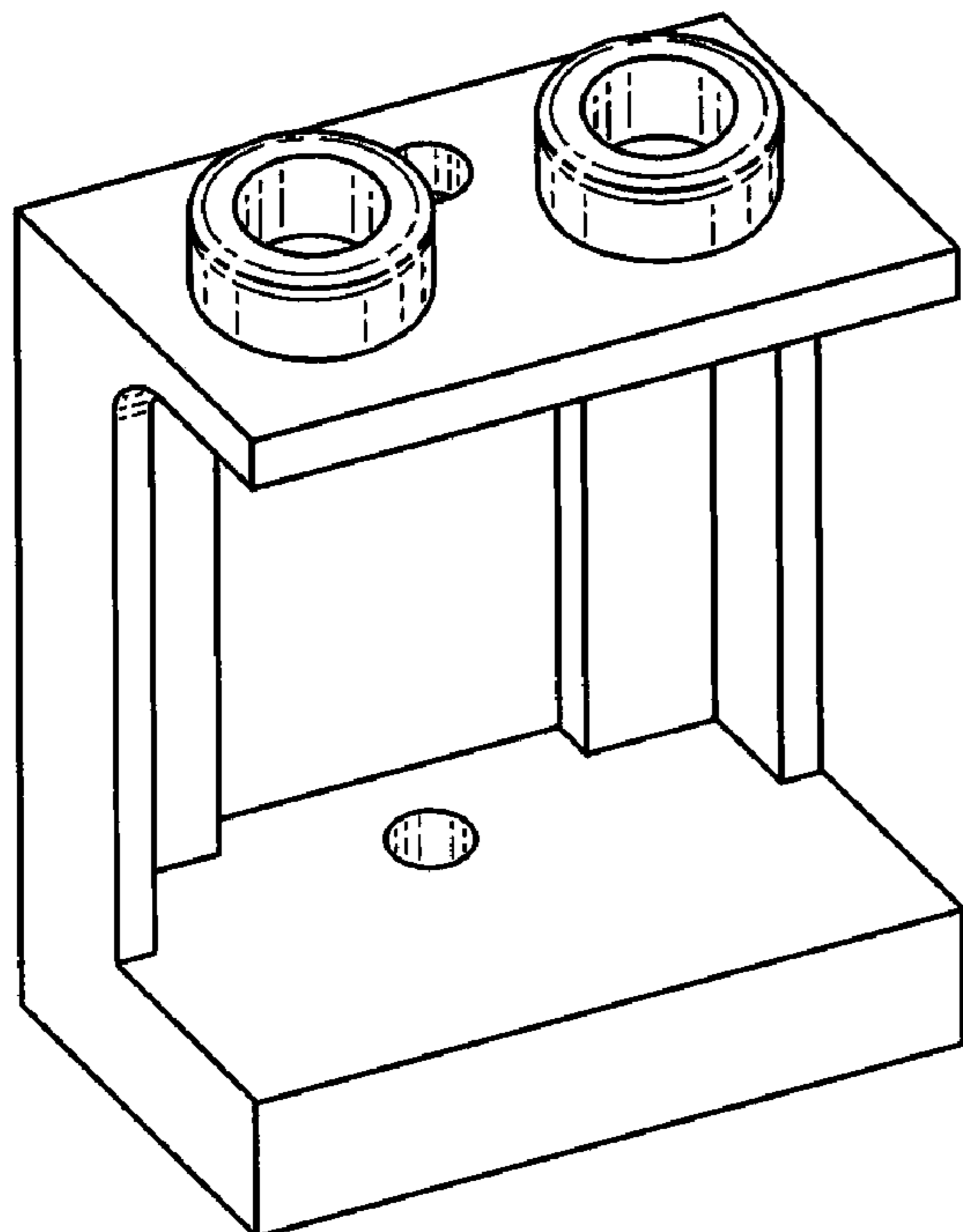
(57) **CLAIM**

The ornamental design for a construction set toy element, as shown and described.

DESCRIPTION

FIG. 1 is a top perspective view of my ornamental design for a construction set toy element;
FIG. 2 is a bottom perspective view thereof;
FIG. 3 is a top plan view thereof;
FIG. 4 is a bottom plan view thereof;
FIG. 5 is a right side view thereof;
FIG. 6 is a left side view thereof;
FIG. 7 is a front view thereof; and,
FIG. 8 is a rear view thereof.

1 Claim, 8 Drawing Sheets



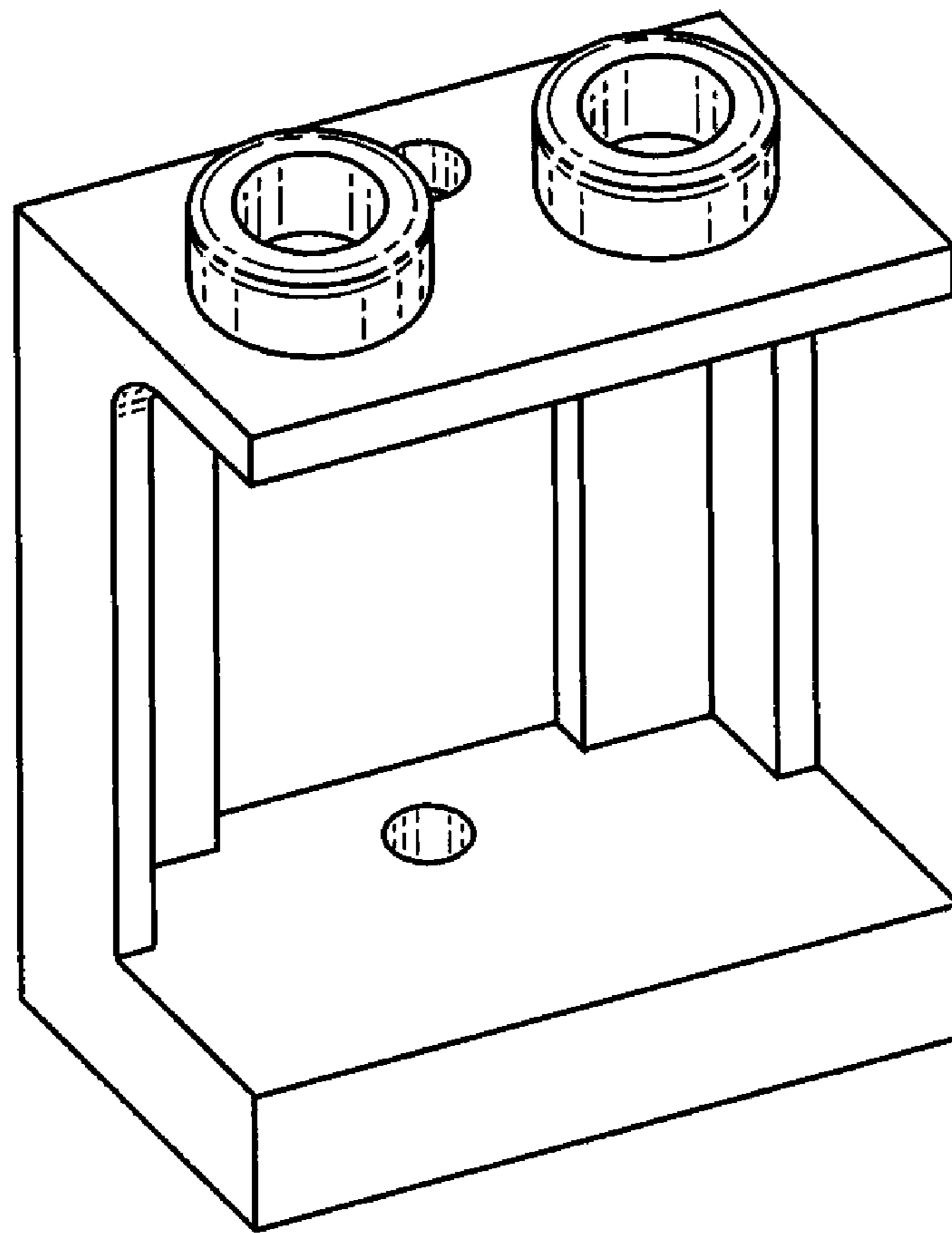


FIG. 1

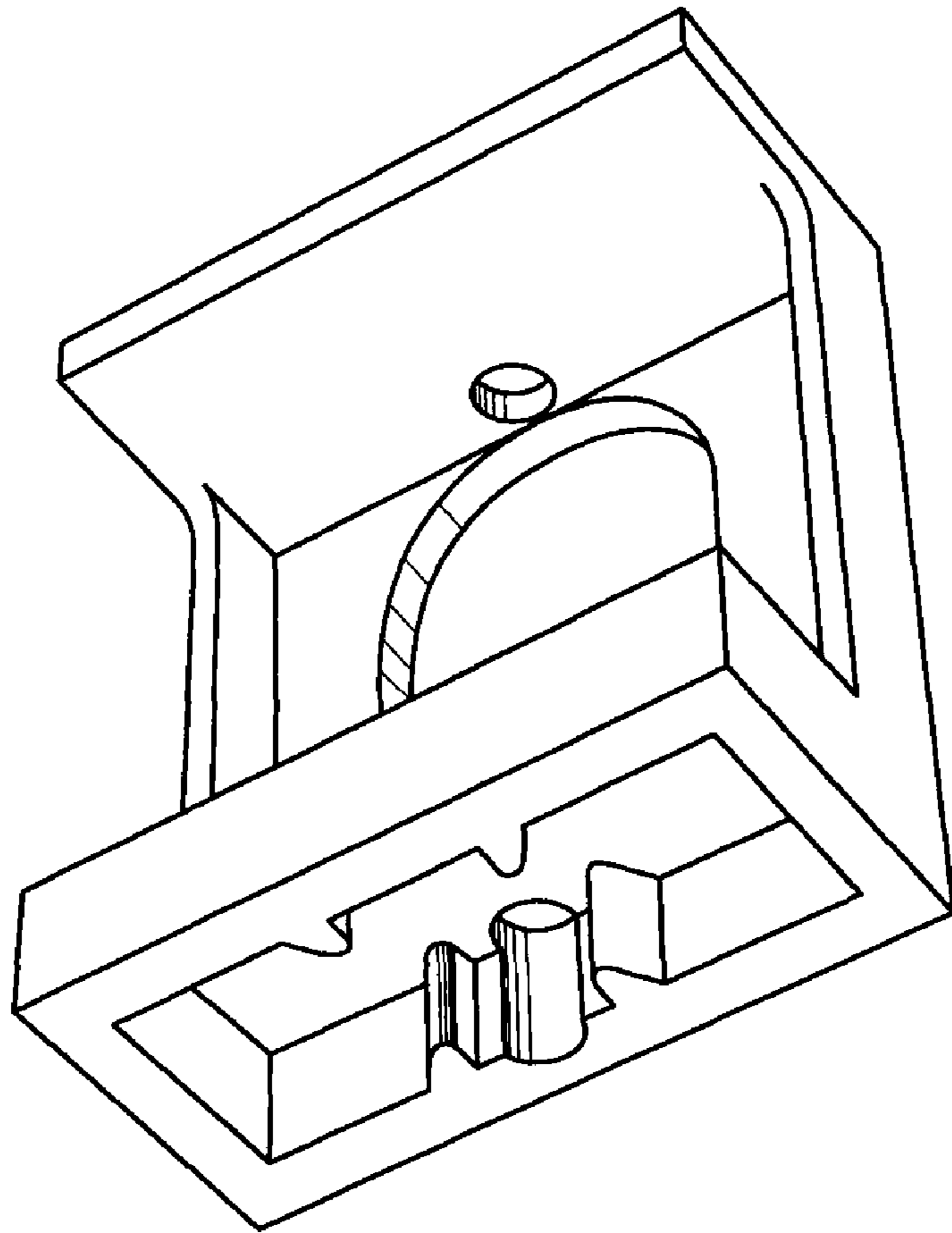


FIG. 2

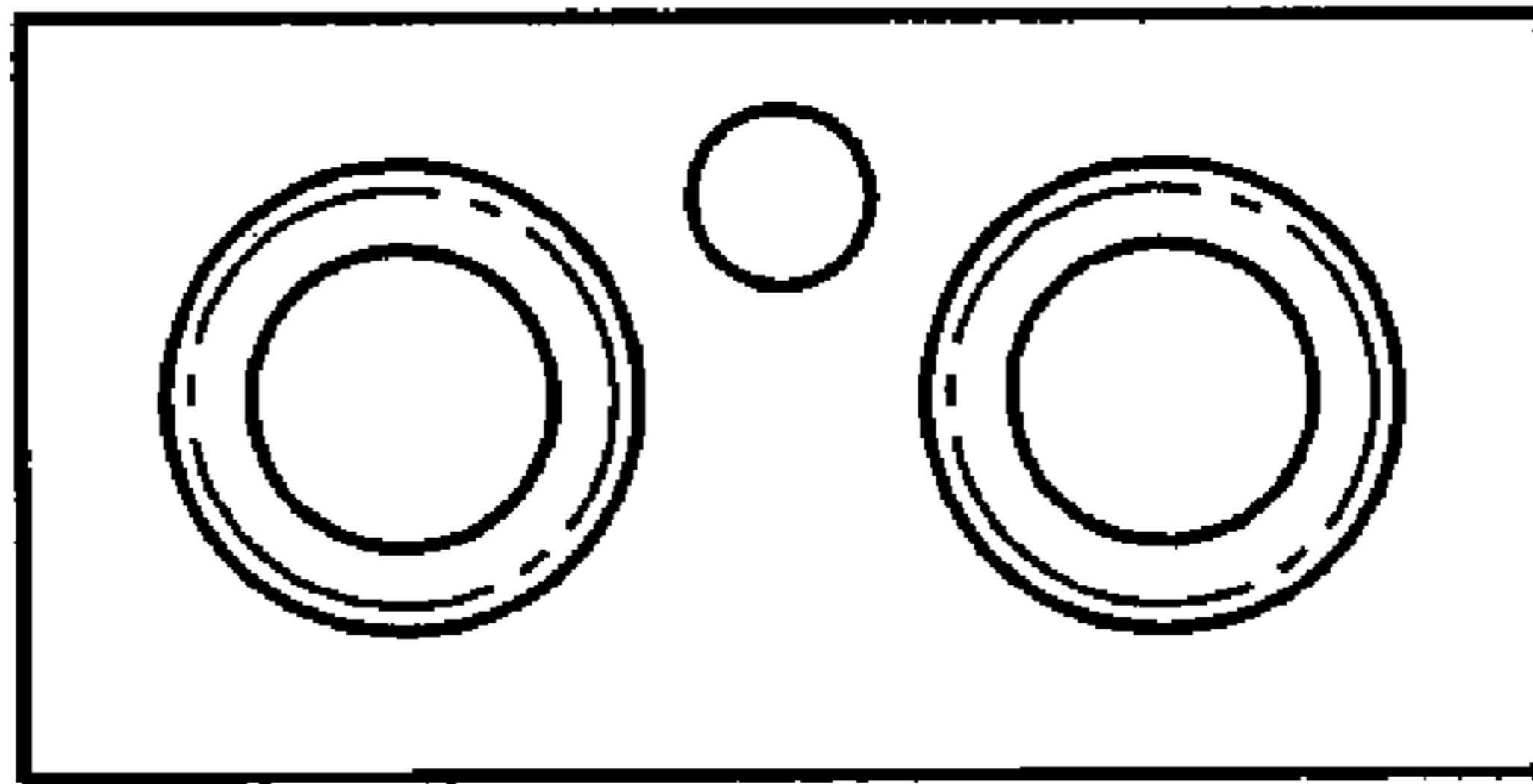


FIG. 3

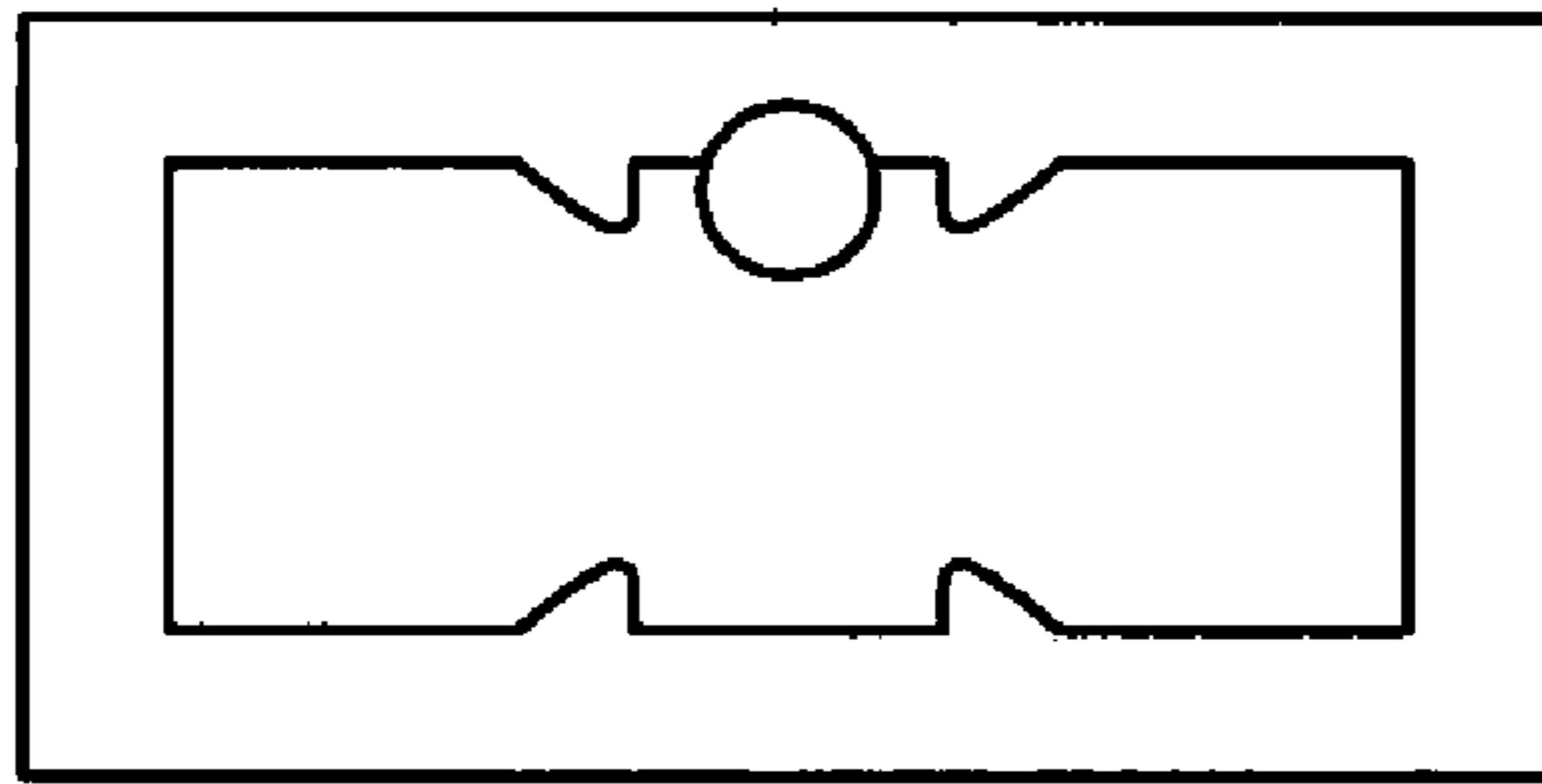


FIG. 4

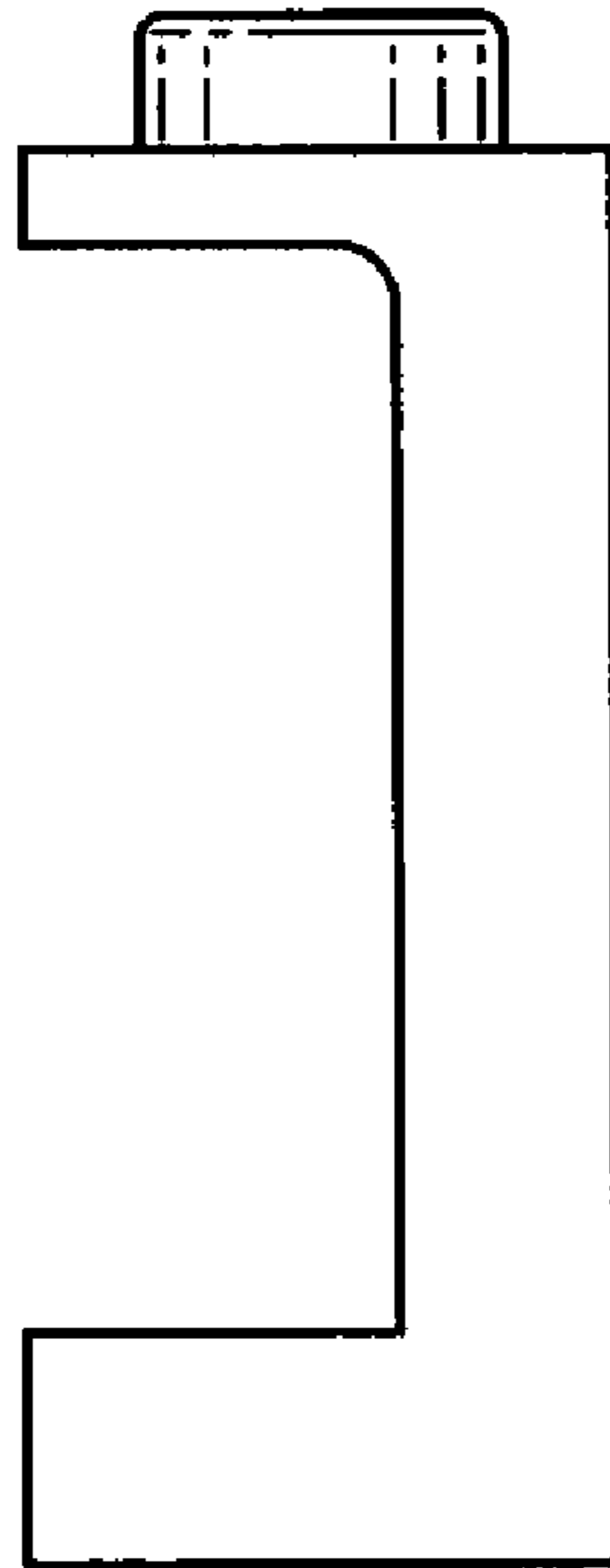


FIG. 5

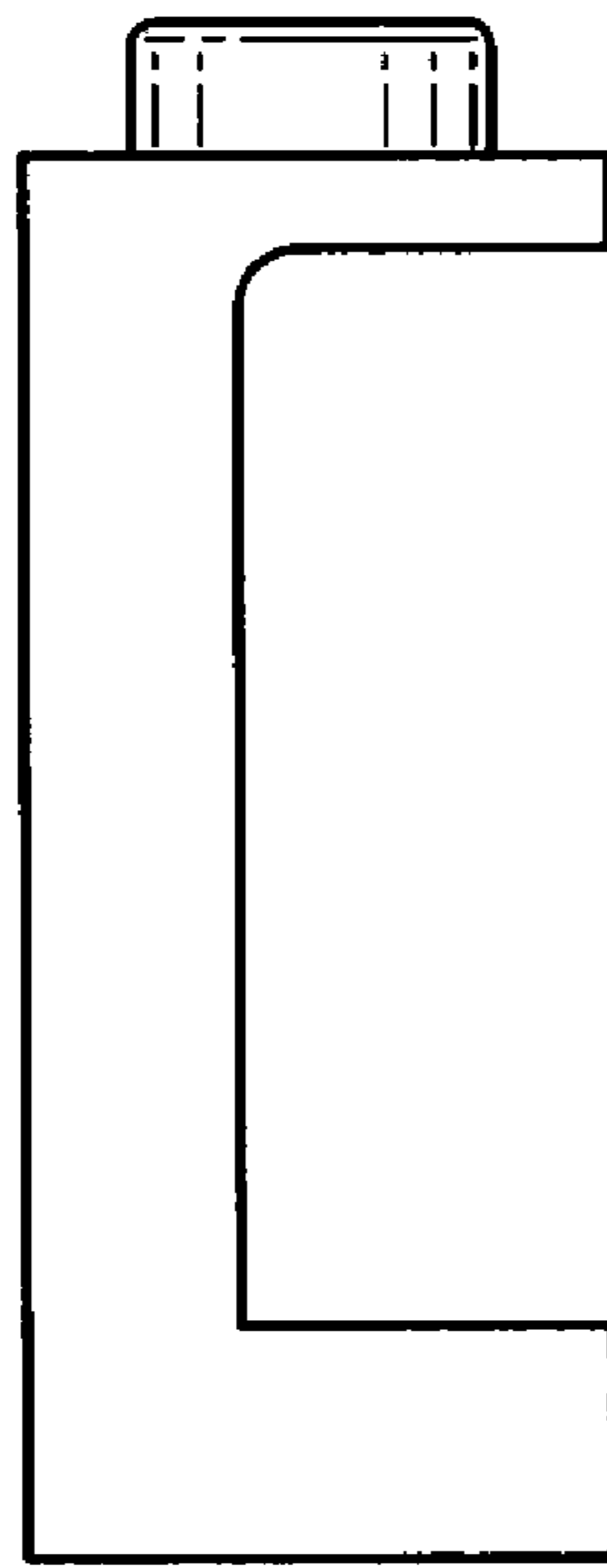


FIG. 6

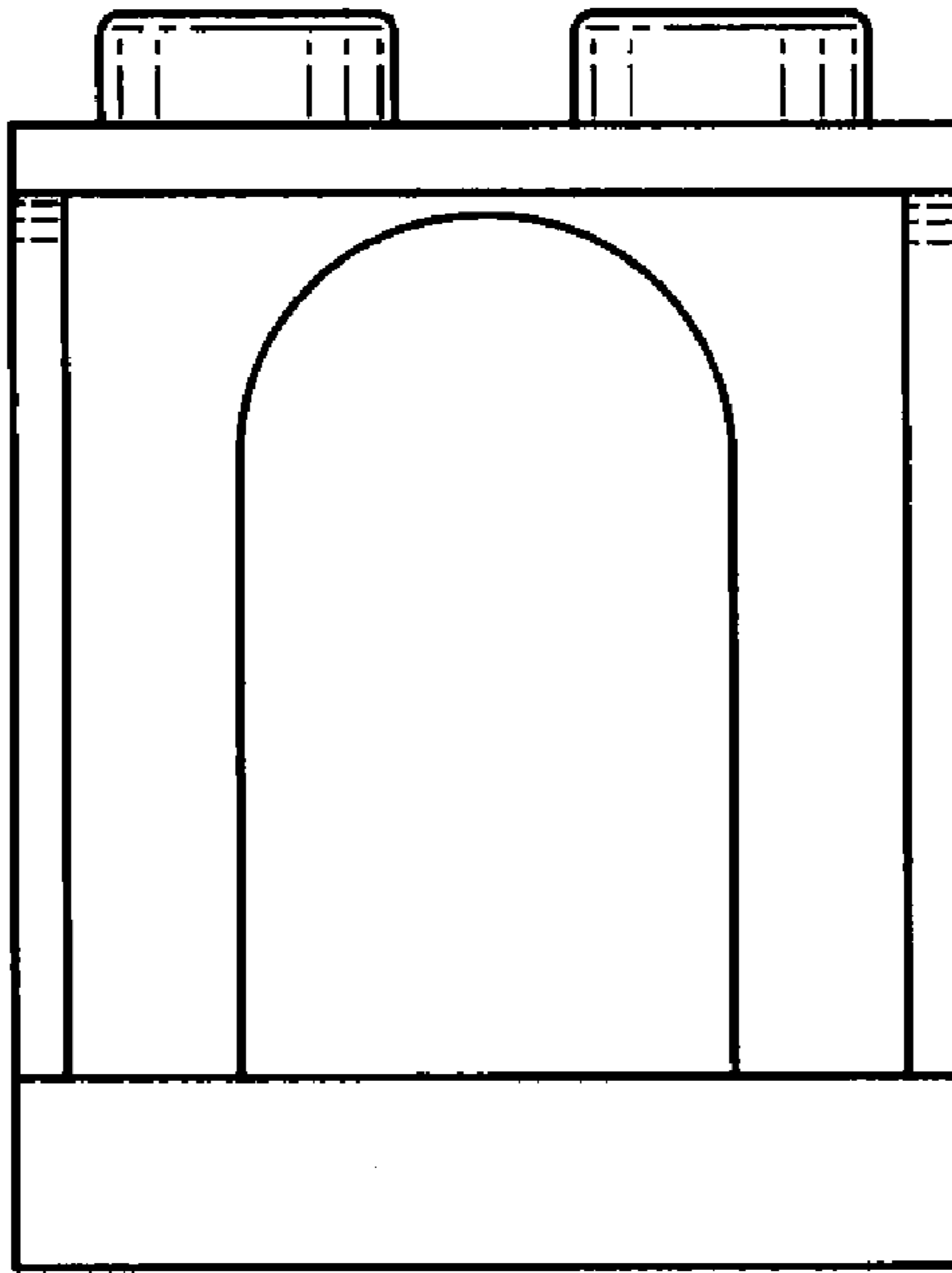


FIG. 7

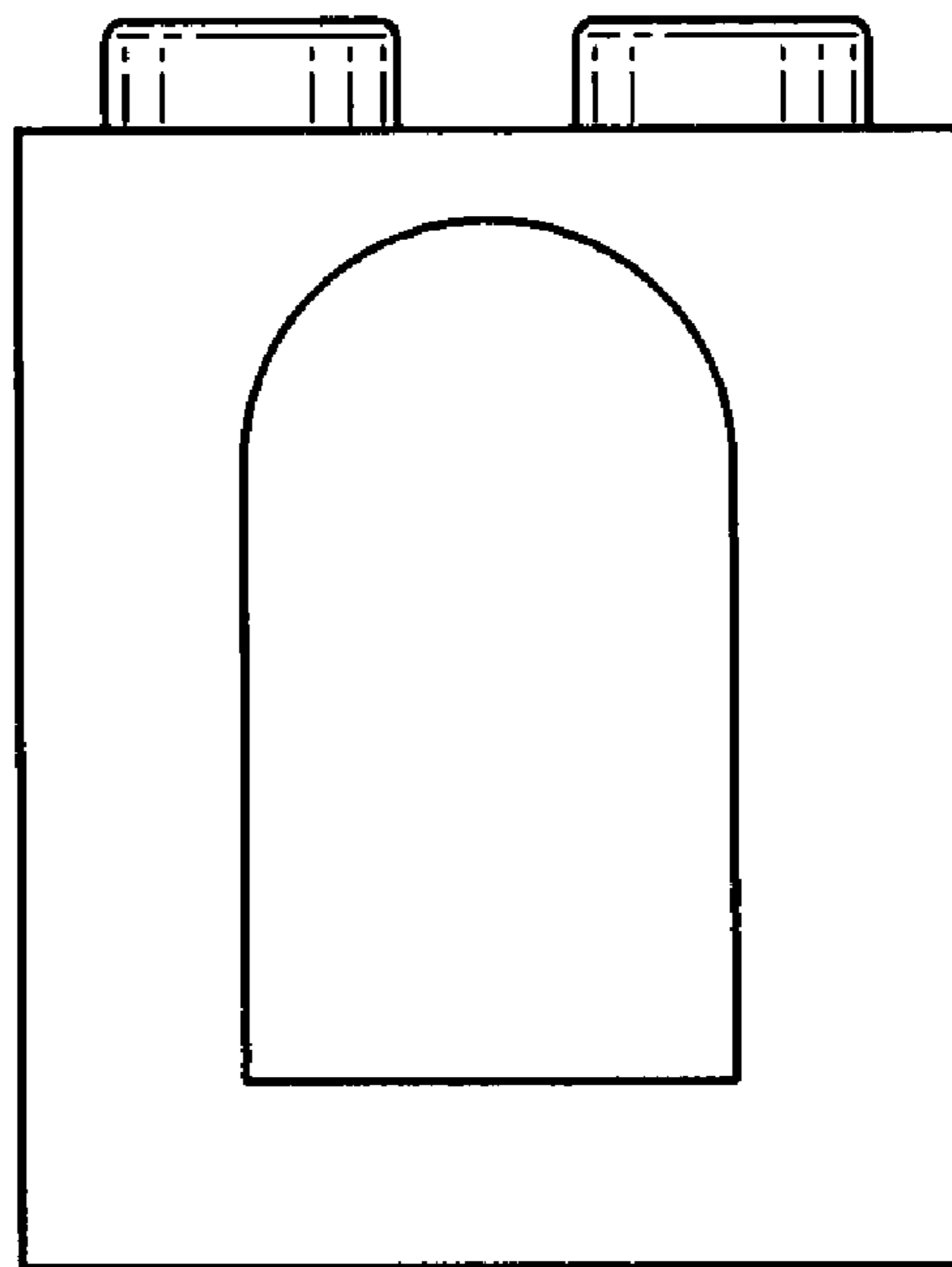


FIG. 8