



US00D639868S

(12) **United States Design Patent**
Bower et al.

(10) **Patent No.:** **US D639,868 S**

(45) **Date of Patent:** **** Jun. 14, 2011**

(54) **GAME PIECE**

D592,253 S * 5/2009 Resetarits D21/373

* cited by examiner

(76) Inventors: **Eric Steven Bower**, Lake Bluff, IL (US);
John P. Murzanski, Inverness, IL (US)

Primary Examiner — Sandra Morris

(**) Term: **14 Years**

(57) **CLAIM**

We claim the ornamental design for a game piece, as shown and described.

(21) Appl. No.: **29/355,752**

(22) Filed: **Feb. 12, 2010**

DESCRIPTION

(51) **LOC (9) Cl.** **21-01**

(52) **U.S. Cl.** **D21/386**; D21/373

(58) **Field of Classification Search** D21/369,
D21/372-373, 385-386; D22/146; 273/272,
273/146, 148 R

See application file for complete search history.

FIG. 1 is a perspective view of the game piece, showing our invention;

FIG. 2 is a front view thereof;

FIG. 3 is a right side view thereof;

FIG. 4 is a left side view thereof;

FIG. 5 is a back view thereof;

FIG. 6 is a top view thereof; and,

FIG. 7 is a bottom view thereof.

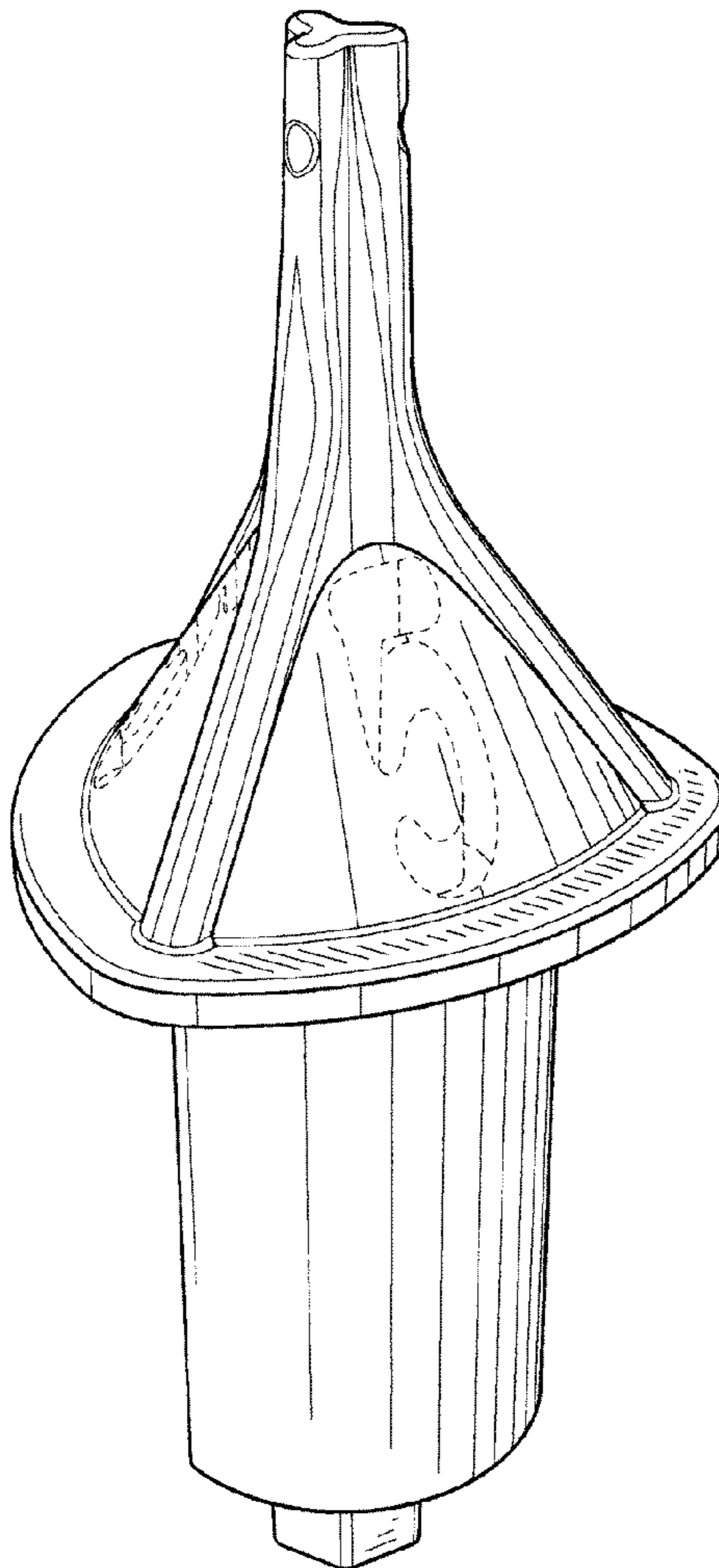
The broken line showing of the number on the game piece is for illustrative purposes only, and forms no part of the claimed design.

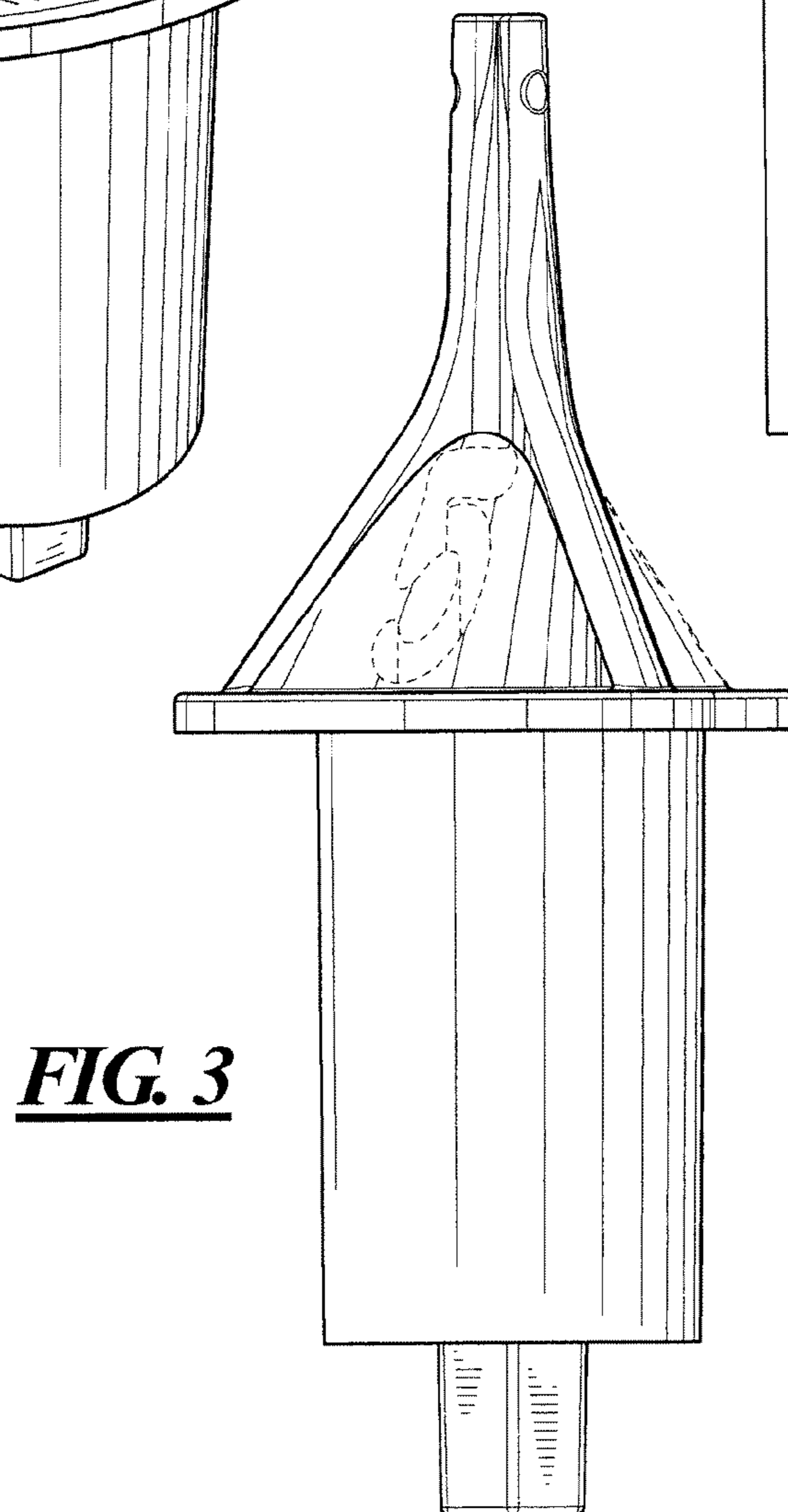
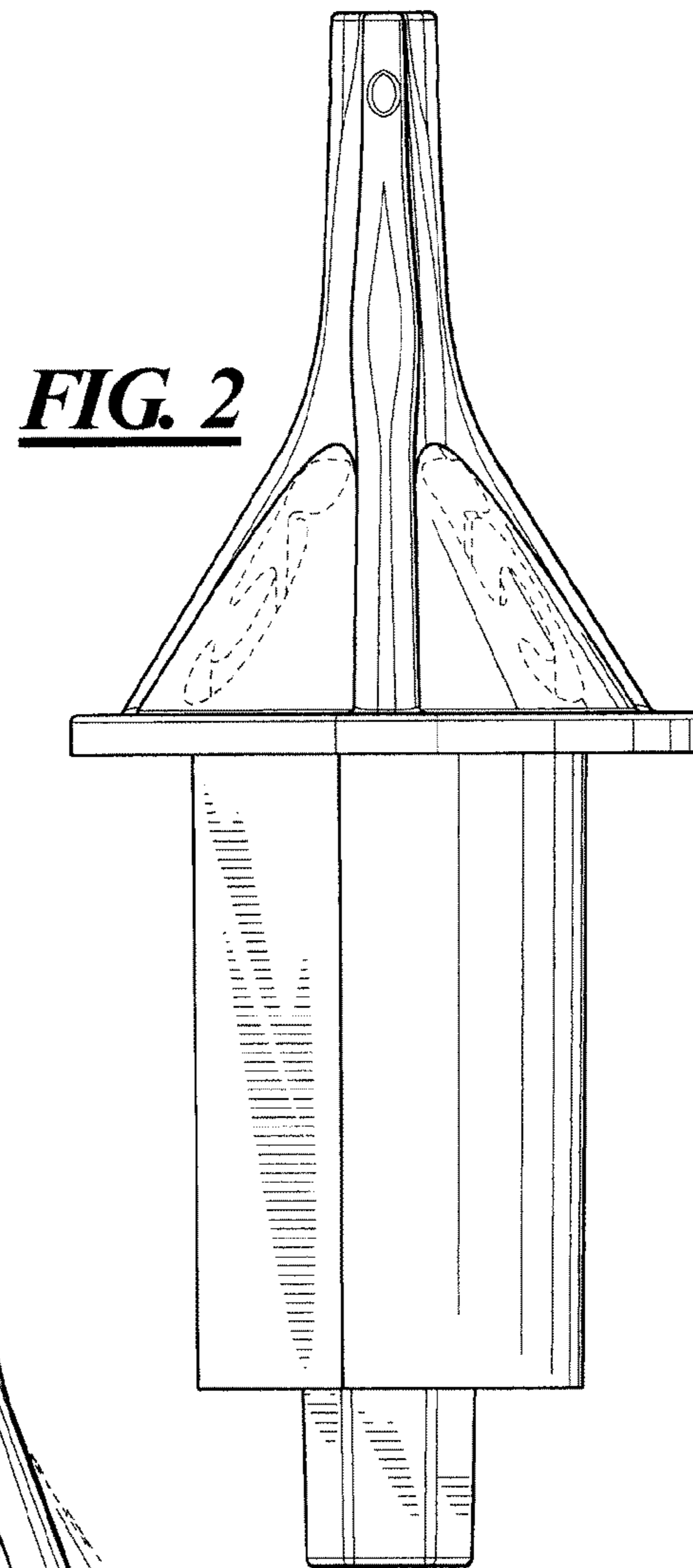
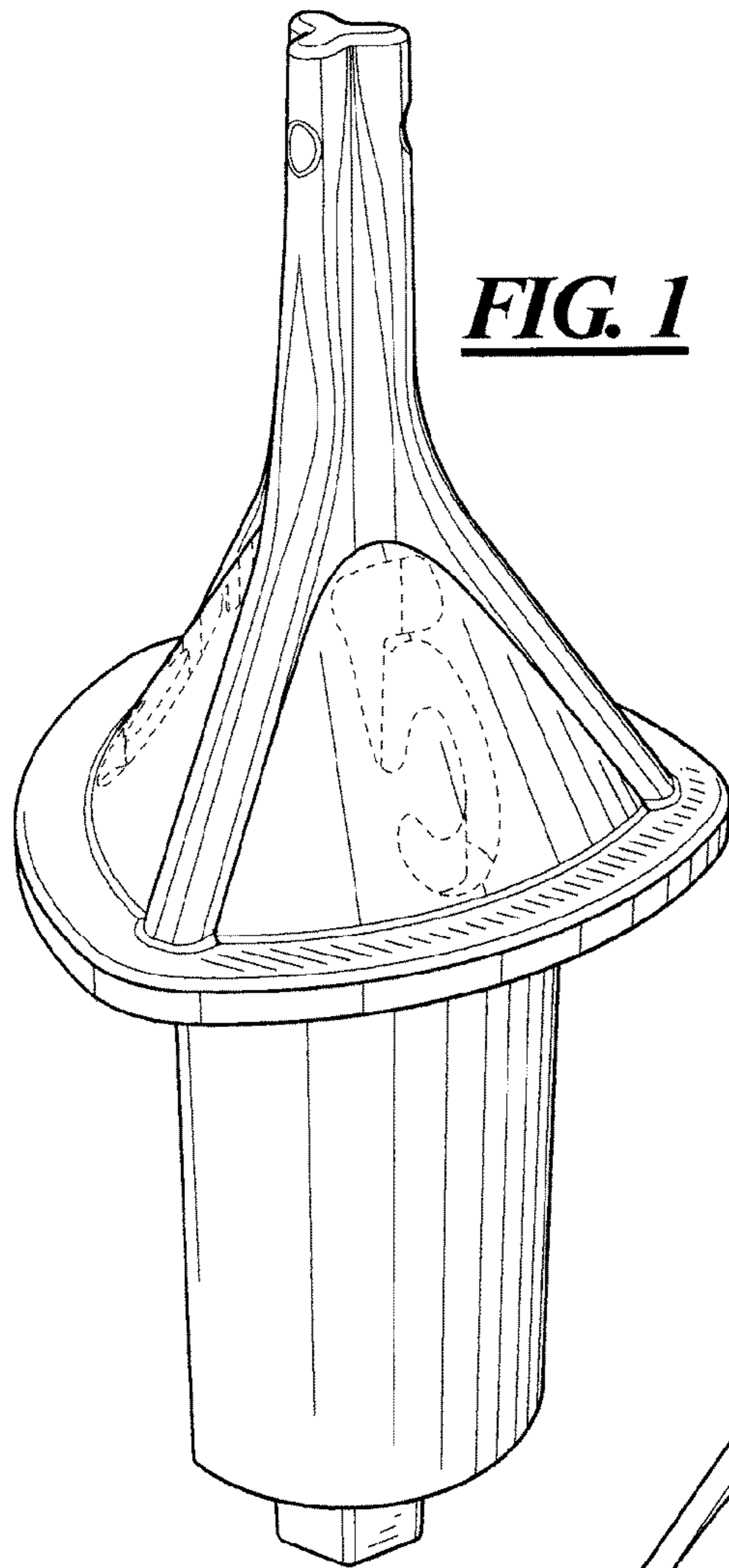
(56) **References Cited**

U.S. PATENT DOCUMENTS

D84,388 S *	6/1931	Woodroof et al.	D21/373
D279,886 S *	7/1985	Soifer	D21/373
D421,278 S *	2/2000	Cleary	D21/373
D487,292 S *	3/2004	Kaminski	D21/373

1 Claim, 2 Drawing Sheets





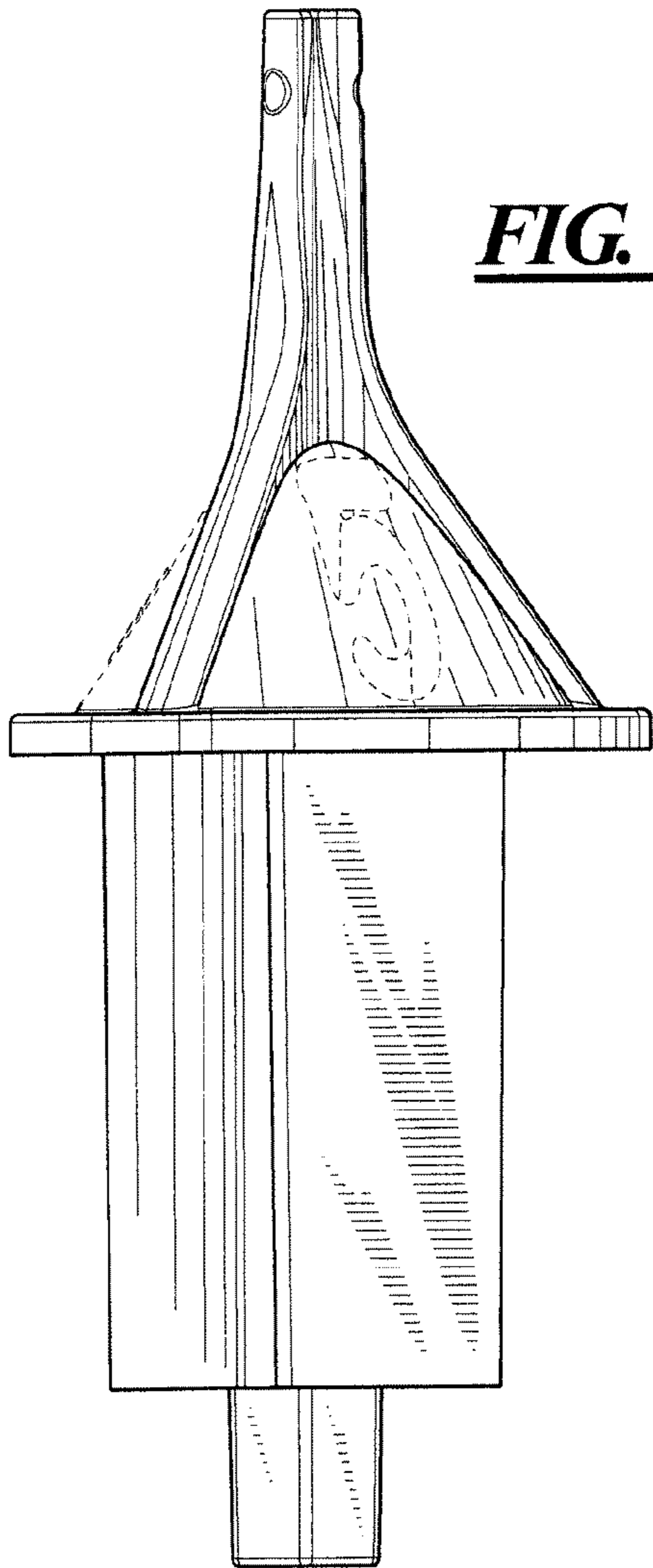


FIG. 4

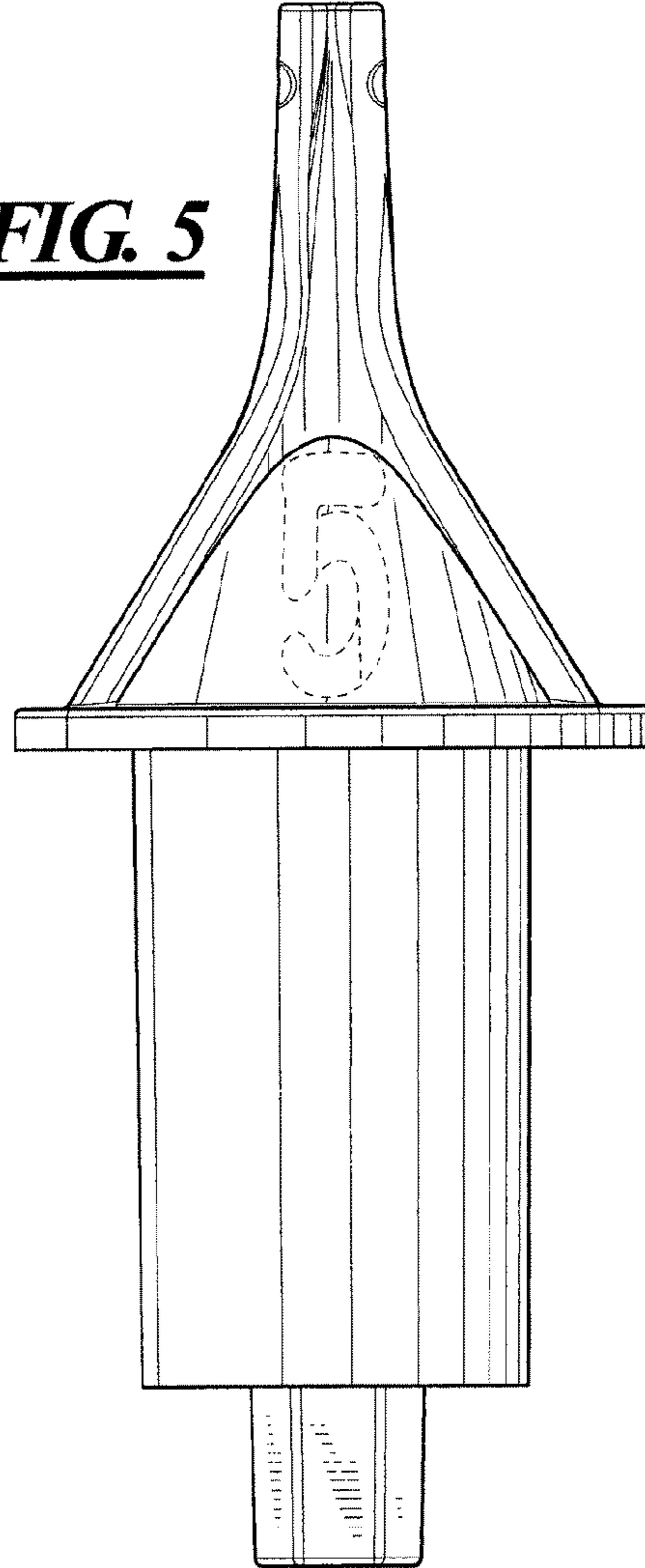


FIG. 5

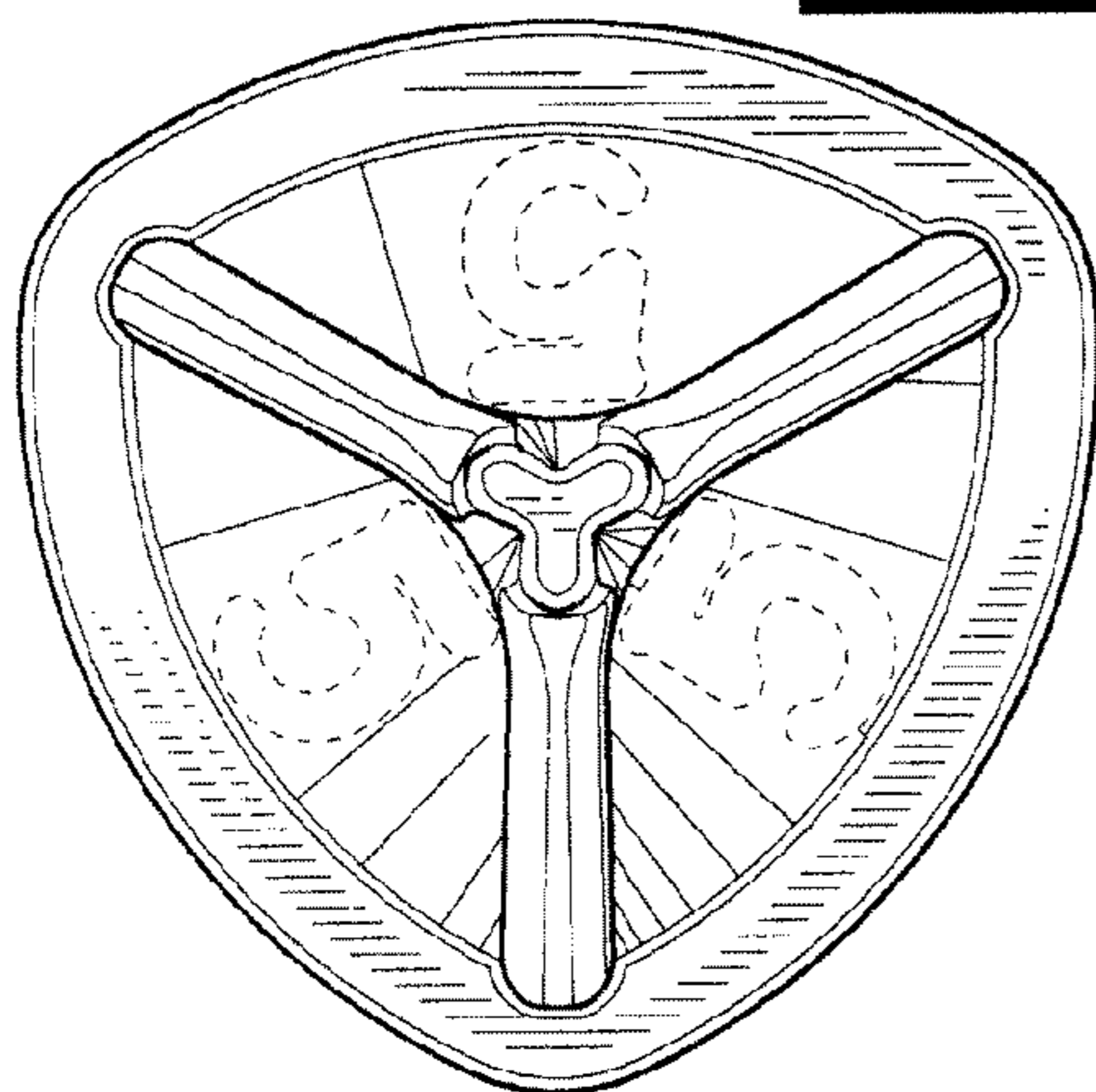


FIG. 6

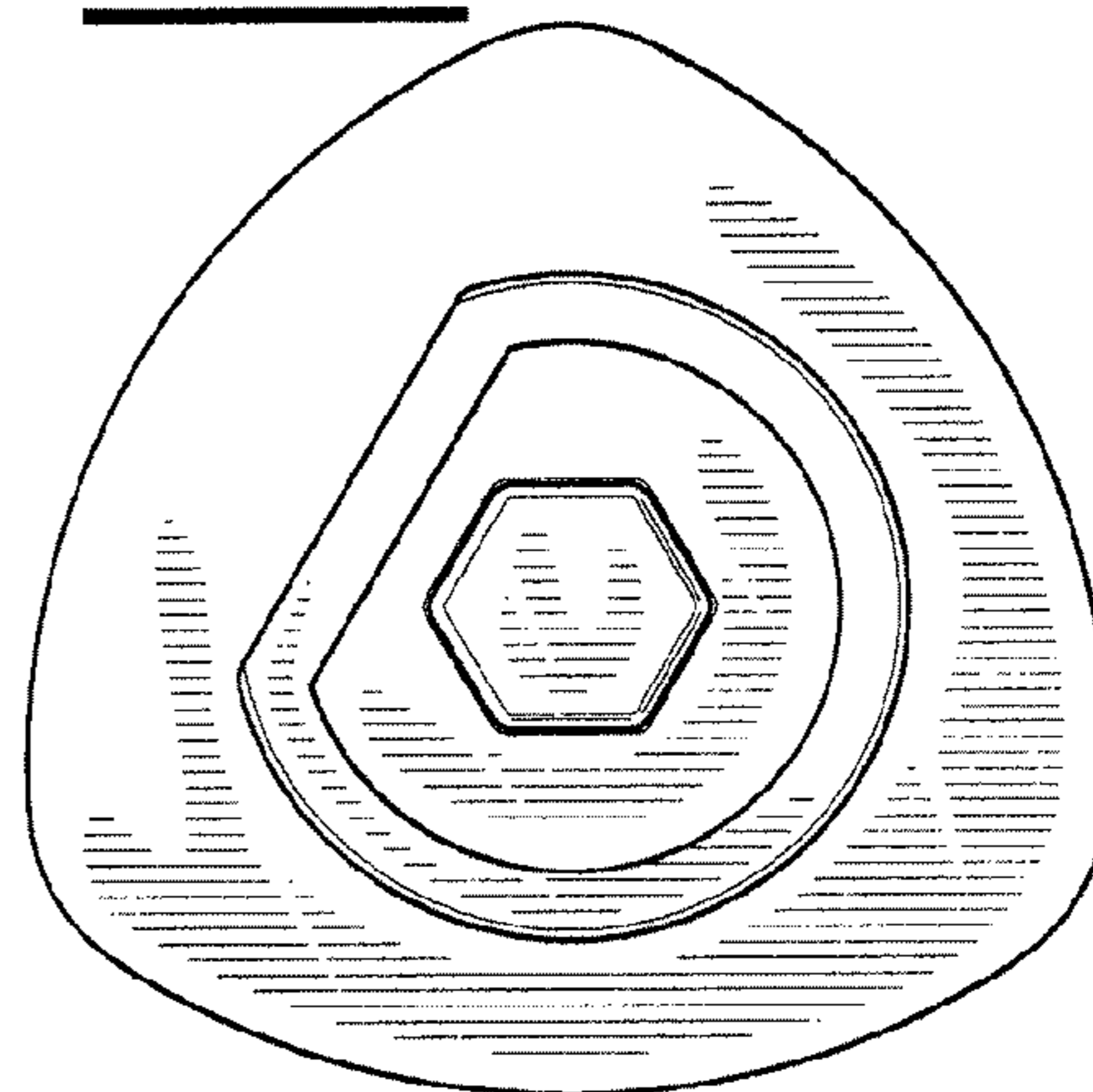


FIG. 7