



US00D639865S

(12) **United States Design Patent**  
**Sogabe et al.**

(10) **Patent No.:** **US D639,865 S**

(45) **Date of Patent:** **\*\* Jun. 14, 2011**

(54) **ELECTRIC CONNECTOR**

(75) Inventors: **Takashi Sogabe**, Tokyo (JP); **Taichi Nokuo**, Tokyo (JP)

(73) Assignee: **Sony Computer Entertainment Inc.**, Tokyo (JP)

(\*\*) Term: **14 Years**

(21) Appl. No.: **29/347,515**

(22) Filed: **Feb. 18, 2010**

(30) **Foreign Application Priority Data**

Sep. 18, 2009 (JP) ..... D2009-021732

(51) **LOC (9) Cl.** ..... **21-01**

(52) **U.S. Cl.** ..... **D21/333**

(58) **Field of Classification Search** ..... D21/324-333;  
D14/341-347, 432, 433, 435, 217, 256; D13/133,  
D13/146, 147, 184, 189; 273/148 B; 463/1,  
463/29-35, 46, 49; 439/180, 188, 476.1,  
439/892, 894, 907, 908

See application file for complete search history.

(56) **References Cited**

**U.S. PATENT DOCUMENTS**

6,019,680 A \* 2/2000 Cheng ..... 463/37  
6,225,975 B1 \* 5/2001 Furuki et al. .... 345/156  
6,280,214 B1 \* 8/2001 Chang ..... 439/188  
D453,511 S 2/2002 Goto  
D457,522 S 5/2002 Goto  
D458,254 S 6/2002 Goto  
D458,926 S 6/2002 Goto

D459,351 S 6/2002 Goto  
D460,130 S \* 7/2002 Cheng ..... D21/551  
D466,499 S 12/2002 Nakano  
D466,951 S \* 12/2002 Hang ..... D21/333  
D479,860 S \* 9/2003 Lim ..... D21/333  
D491,531 S 6/2004 Lee  
D529,493 S \* 10/2006 Ogasawara ..... D14/356  
D572,196 S 7/2008 Rohlf  
7,566,242 B2 \* 7/2009 Zhu et al. .... 439/567  
D618,286 S \* 6/2010 Henderson ..... D21/328  
D629,956 S \* 12/2010 Newhouse ..... D26/93

**OTHER PUBLICATIONS**

Decision to Grant from Taiwan Patent Office issued on Jan. 26, 2011, for application No. 099300710.

Decision to Grant from Russian Patent Office dated Nov. 1, 2010 for application No. 2010500323.

\* cited by examiner

*Primary Examiner* — Prabhakar Deshmukh

(74) *Attorney, Agent, or Firm* — Rader, Fishman & Grauer PLLC

(57) **CLAIM**

The ornamental design for an electric connector, as shown.

**DESCRIPTION**

FIG. 1 is a front elevational view of an electric connector showing our new design;

FIG. 2 is a rear elevational view thereof;

FIG. 3 is a left side elevational view thereof;

FIG. 4 is a right side elevational view thereof;

FIG. 5 is a top plan view thereof;

FIG. 6 is a bottom plan view thereof; and,

FIG. 7 is a front, top, right perspective view thereof.

**1 Claim, 5 Drawing Sheets**

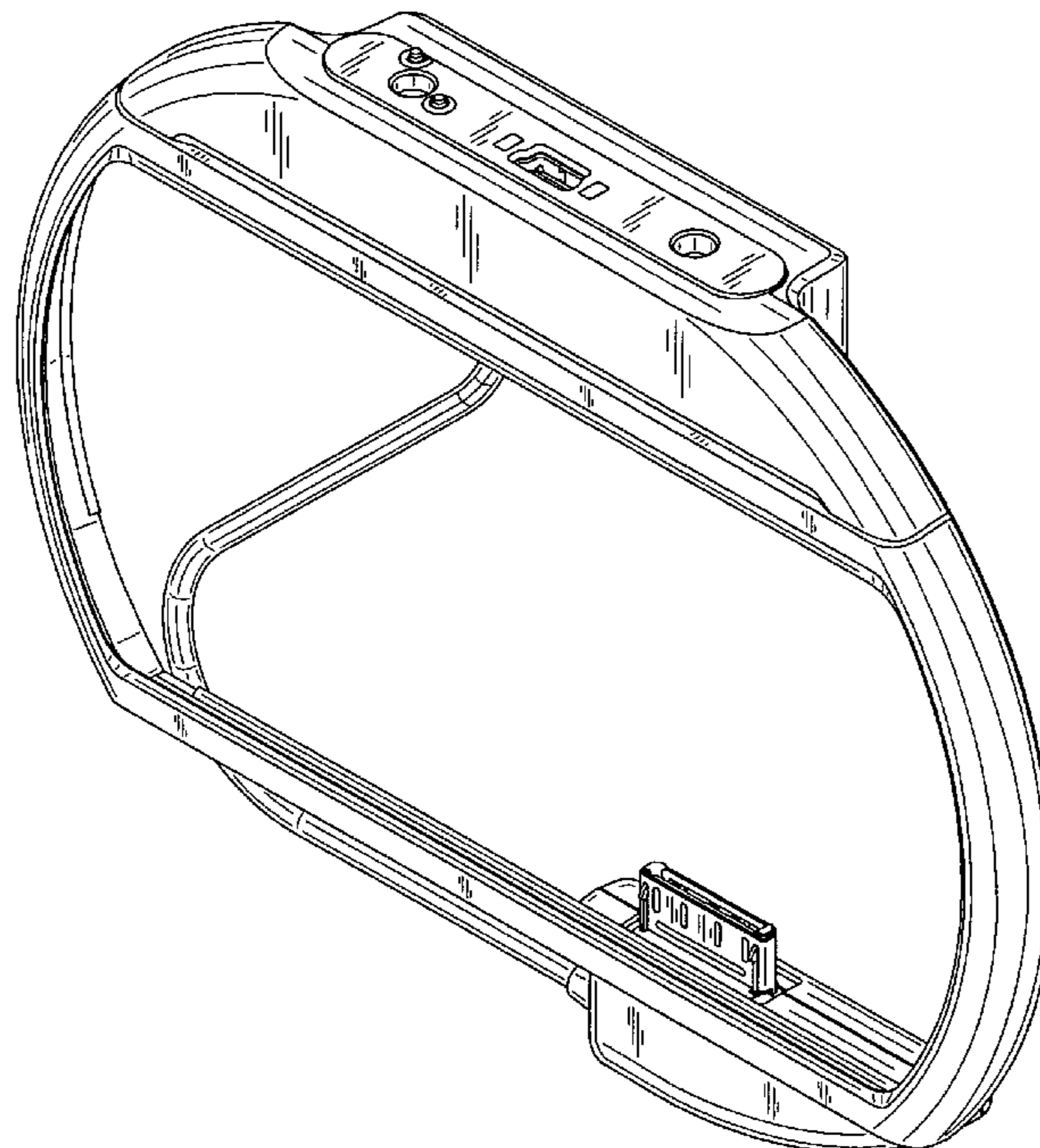


FIG.1

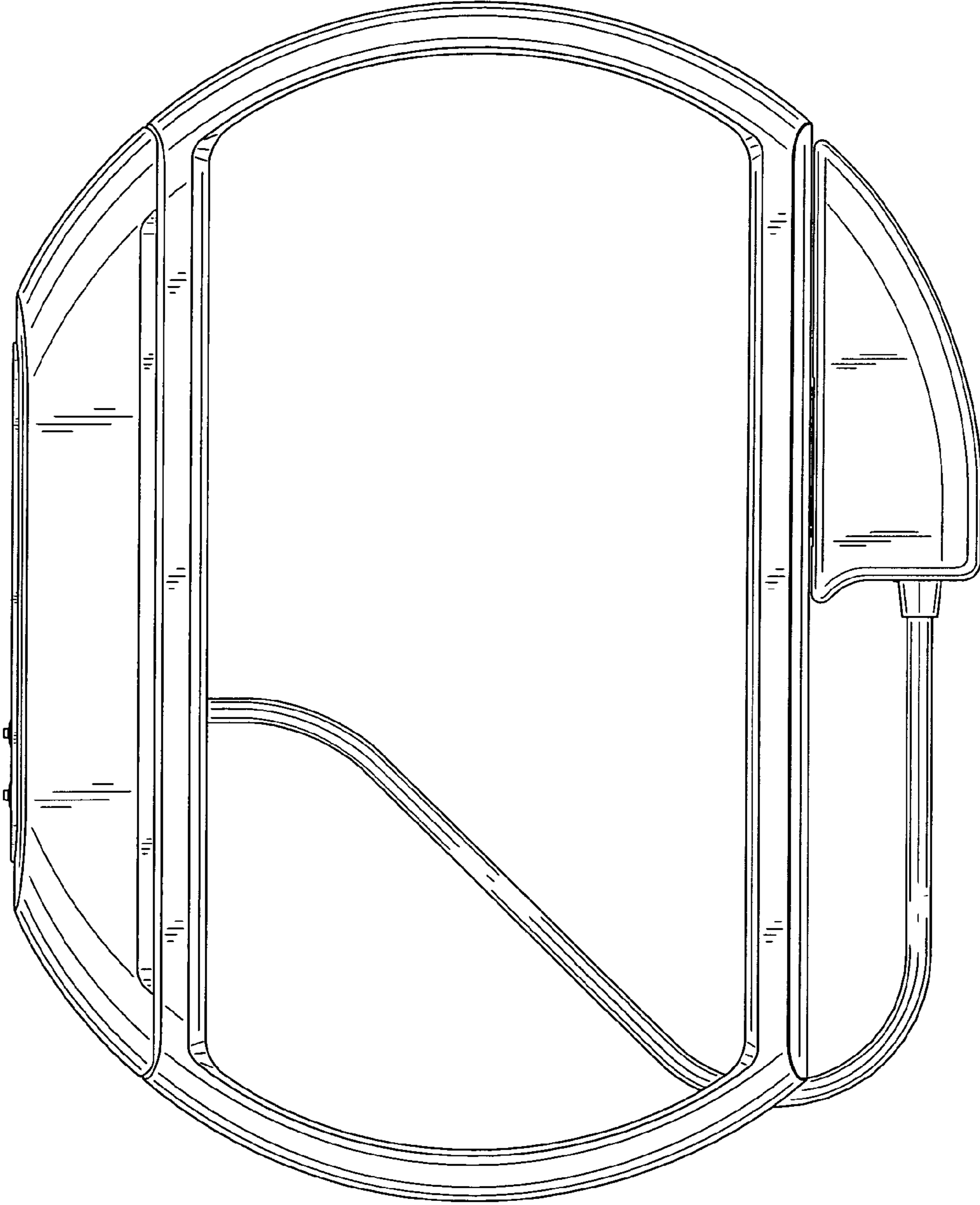


FIG.2

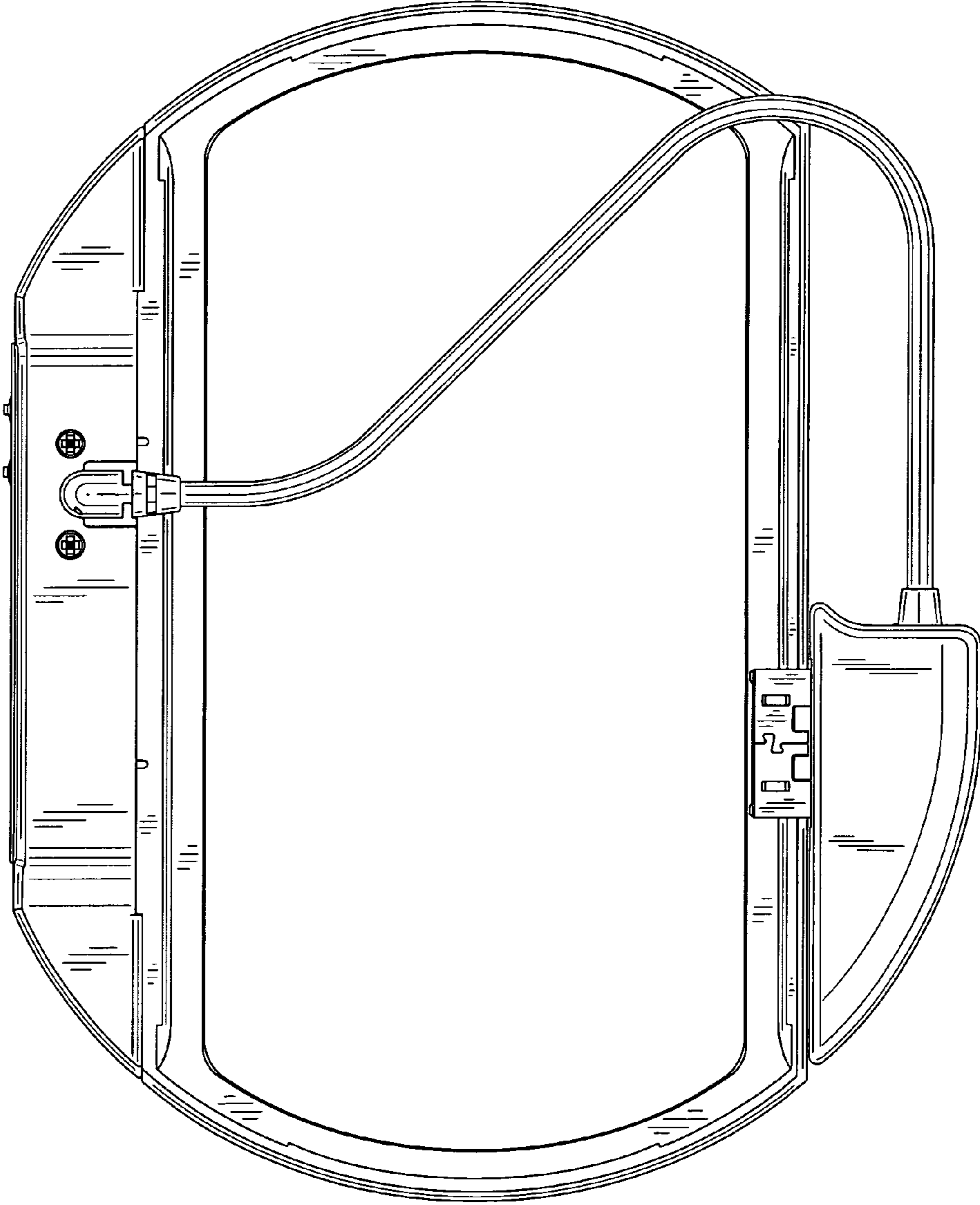


FIG.3

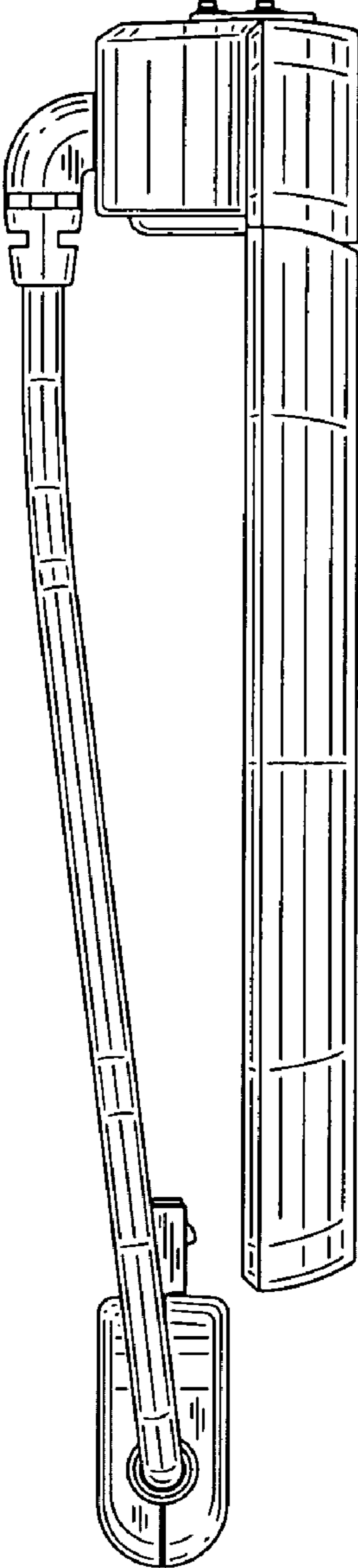


FIG.4

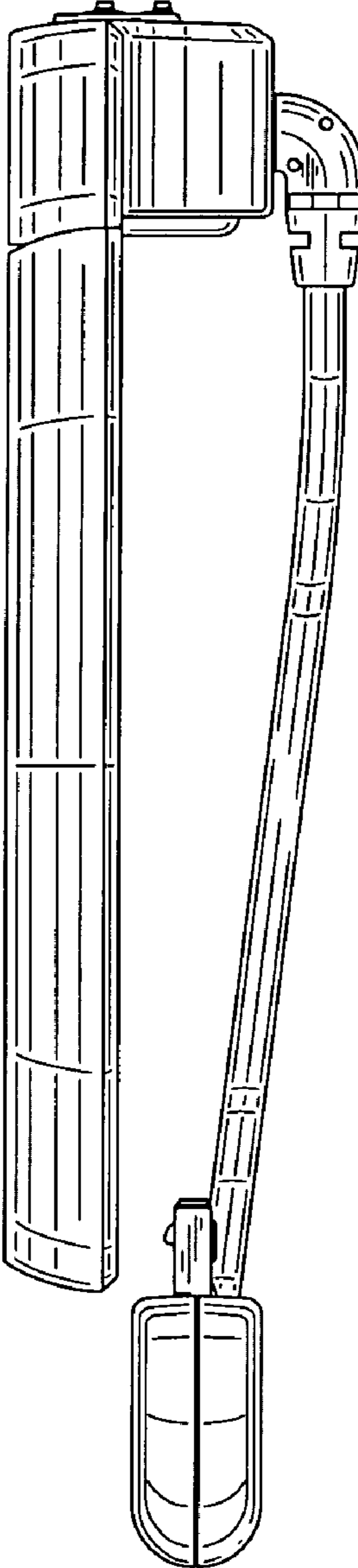


FIG.5

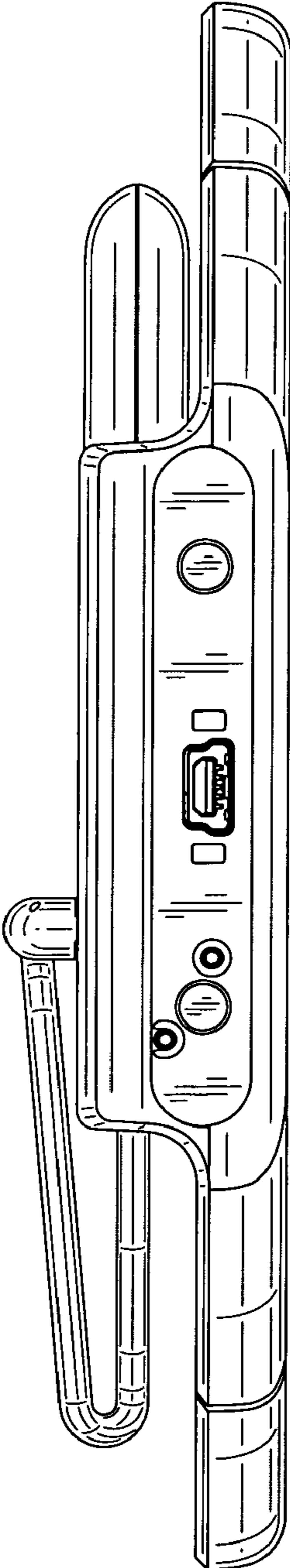


FIG.6

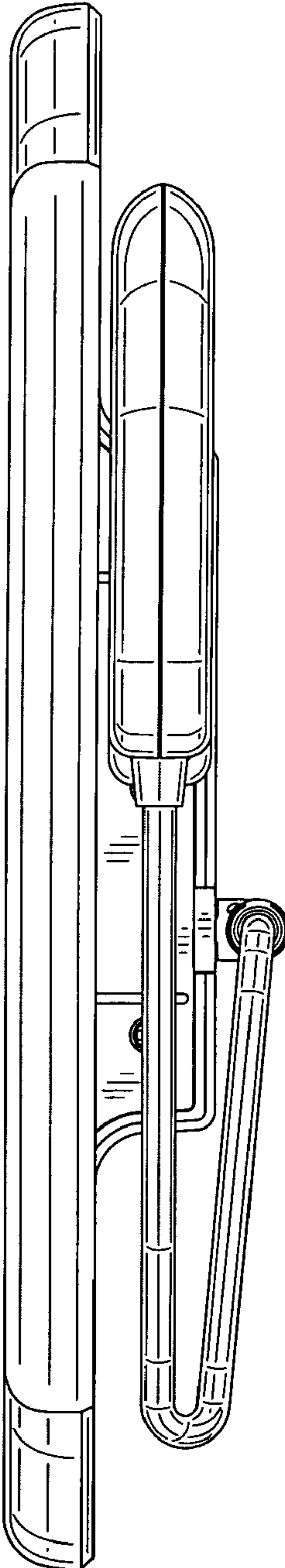


FIG.7

