



US00D639860S

(12) **United States Design Patent**
Rodgers

(10) **Patent No.:** **US D639,860 S**

(45) **Date of Patent:** **** *Jun. 14, 2011**

(54) **ADVERTISING SLEEVE FOR A GATE ARM**

(75) Inventor: **Kris Rodgers**, Fernley, NV (US)

(73) Assignee: **Brite Media Group LLC** (US)

(*) Notice: This patent is subject to a terminal disclaimer.

(**) Term: **14 Years**

(21) Appl. No.: **29/301,494**

(22) Filed: **Mar. 3, 2008**

(51) **LOC (9) Cl.** **20-02**

(52) **U.S. Cl.** **D20/10**

(58) **Field of Classification Search** D20/10,
D20/19, 22, 40, 41, 43, 99; 40/299.01, 316,
40/538-541, 584, 606.01, 606.03, 607.11,
40/607.13, 642.02, 661, 661.01, 661.12;
D8/70; D10/109; D7/392.1; 248/316.7,
248/316.8; 264/605; 362/812; 405/47; 446/85
See application file for complete search history.

(56) **References Cited**

U.S. PATENT DOCUMENTS

535,809	A *	3/1895	Blanchard	405/47
1,489,694	A *	4/1924	Brown	264/605
1,656,341	A *	1/1928	Smith	40/539
2,798,317	A	7/1957	Hargus	
3,182,414	A	5/1965	Snediker	
3,928,930	A	12/1975	Attwood	
4,136,848	A *	1/1979	McCollum	248/316.7
4,758,195	A *	7/1988	Walsh	446/85
5,040,478	A	8/1991	Hughes	
D330,919	S	11/1992	Von Canal	
D334,775	S	4/1993	Foster	
5,212,898	A	5/1993	Dinan et al.	
D336,930	S *	6/1993	Mori et al.	D20/22
D337,129	S	7/1993	Sandy	
D344,880	S *	3/1994	Salas, Jr.	D8/70
D378,301	S	3/1997	Leksell	
5,787,621	A	8/1998	Leksell	
5,860,253	A	1/1999	Lapointe	
D407,266	S *	3/1999	Silva	D7/392.1

D417,894	S	12/1999	Herbst	
D425,938	S	5/2000	Skog	
D454,372	S	3/2002	Whittier et al.	
D474,245	S	5/2003	Abro	
D491,610	S *	6/2004	Linko, Sr.	D20/41
2003/0089005	A1 *	5/2003	Caveney	40/316

* cited by examiner

Primary Examiner — Mary Ann Calabrese

(74) *Attorney, Agent, or Firm* — Pryor Cashman LLP;
Andrew S. Langsam Esq.

(57) **CLAIM**

The ornamental design for an advertising sleeve for a gate arm, as shown and described.

DESCRIPTION

FIG. 1 is a perspective cut away view of the advertising sleeve for a gate arm;

FIG. 2 is a front elevational cut away view of the advertising sleeve for a gate arm shown in FIG. 1.

FIG. 3 is a rear elevational cut away view of the advertising sleeve for a gate arm shown in FIG. 1.

FIG. 4 is a top plan cut away view of the advertising sleeve for a gate arm shown in FIG. 1.

FIG. 5 is a bottom plan cut away view of the advertising sleeve for a gate arm shown in FIG. 1.

FIG. 6 is a left side view of the advertising sleeve for a gate arm shown in FIG. 1.

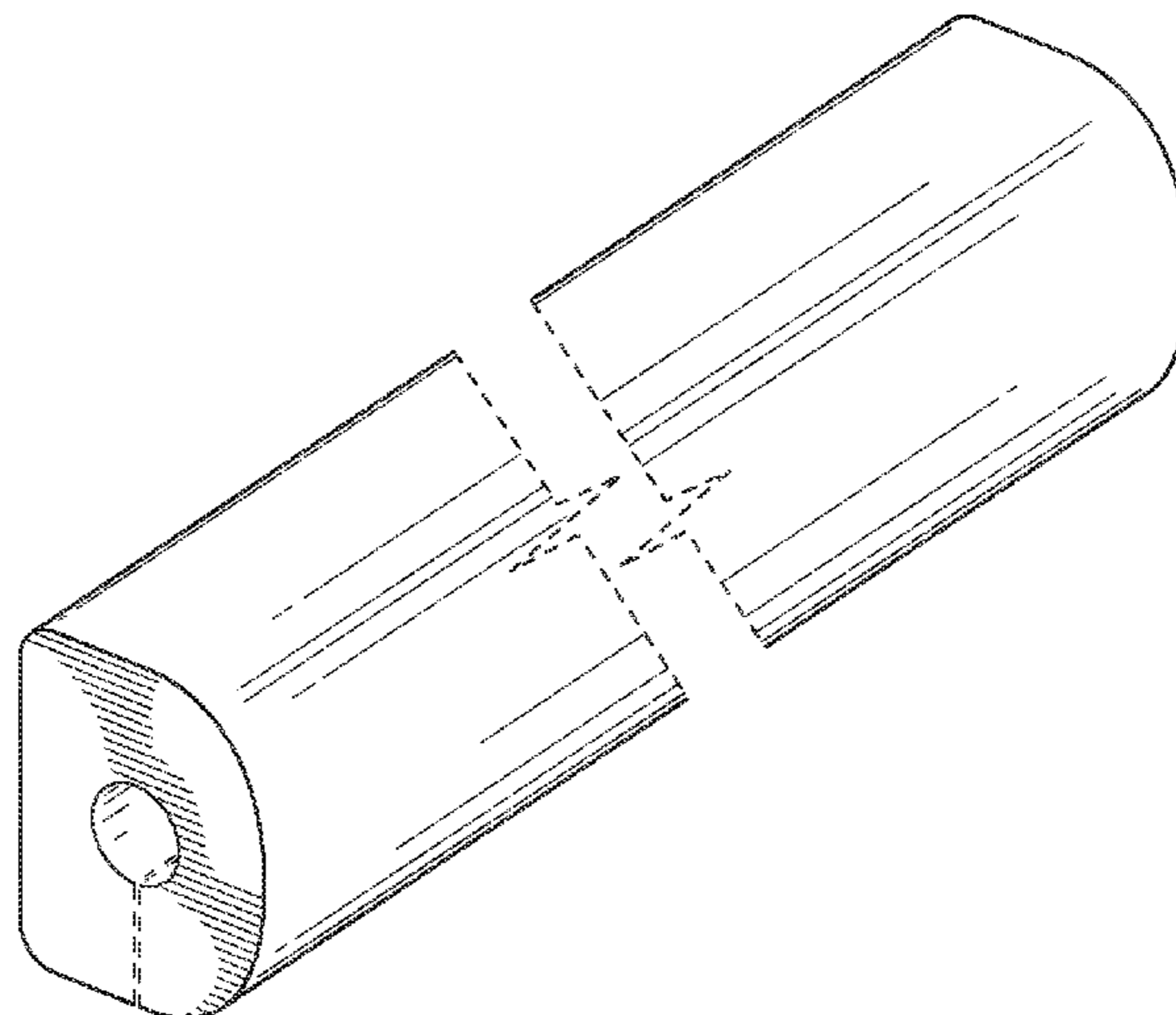
FIG. 7 is a right side view of the advertising sleeve for a gate arm shown in FIG. 1; and,

FIG. 8 is a front elevational cut away view of the advertising sleeve for a gate arm shown disposed on a gate arm.

The broken lines in the drawings of FIGS. 1 through 7 represent unclaimed environmental subject matter and the broken lines in the drawing of FIG. 8 show a gate arm and mechanism for raising and lowering the gate arm for illustrative purposes only and form no part of the claimed design.

The break lines in the advertising sleeve indicate no specific length.

1 Claim, 4 Drawing Sheets



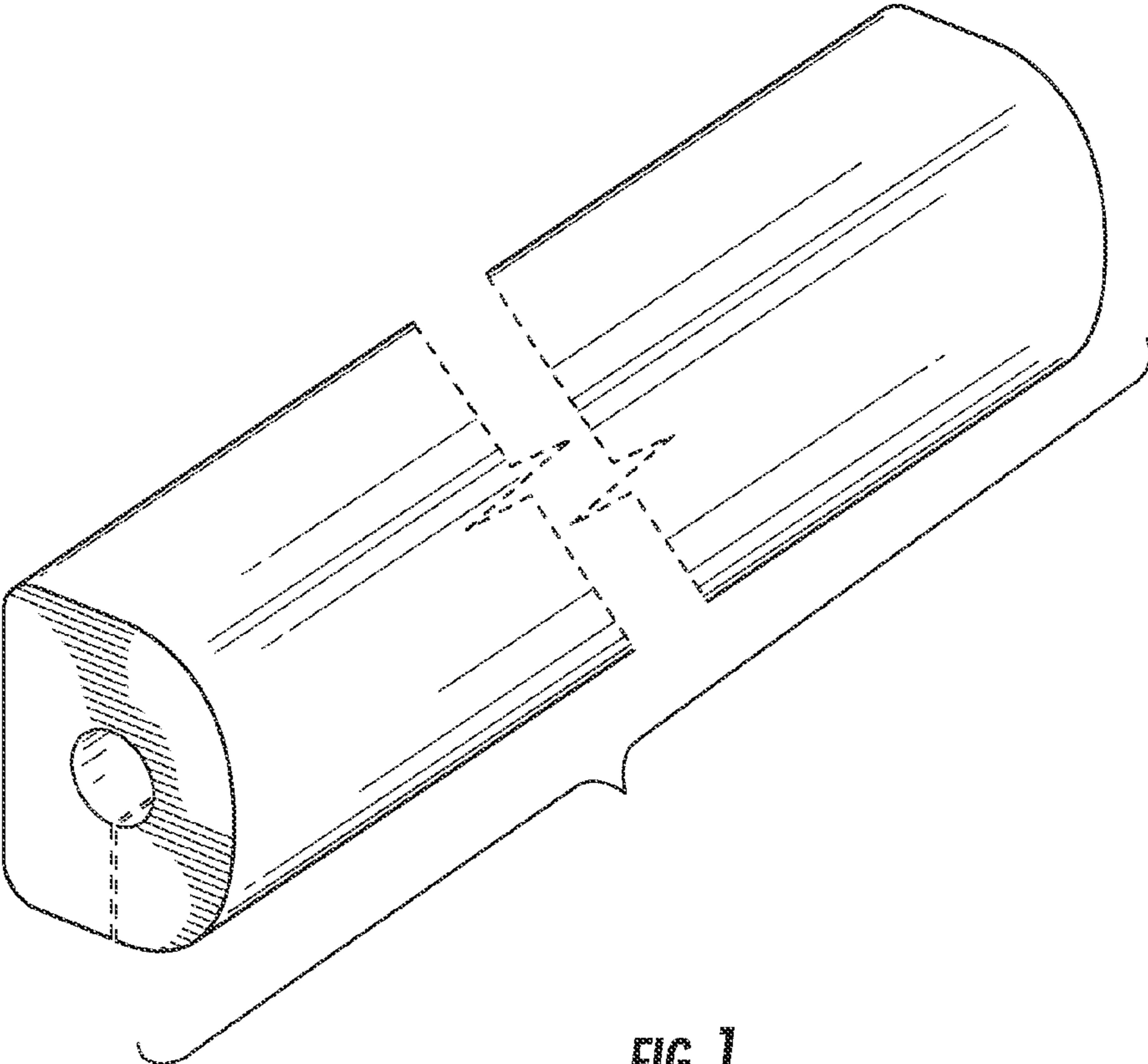


FIG. 1

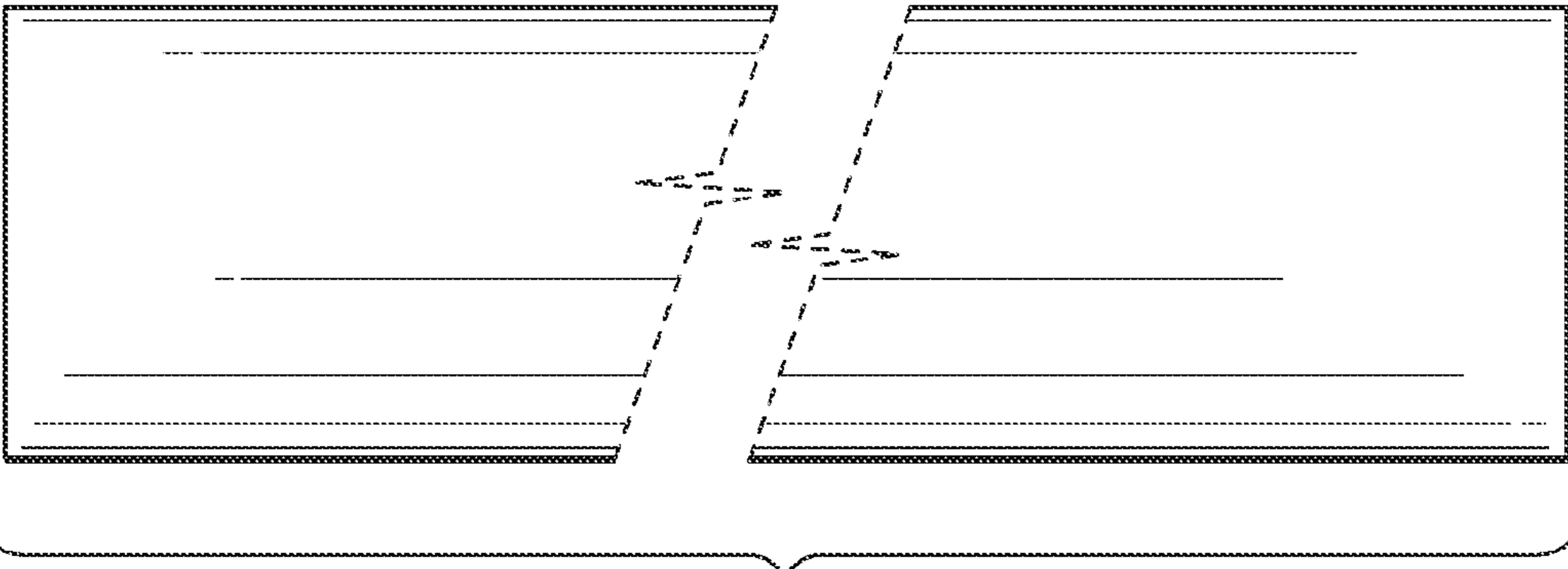


FIG. 2

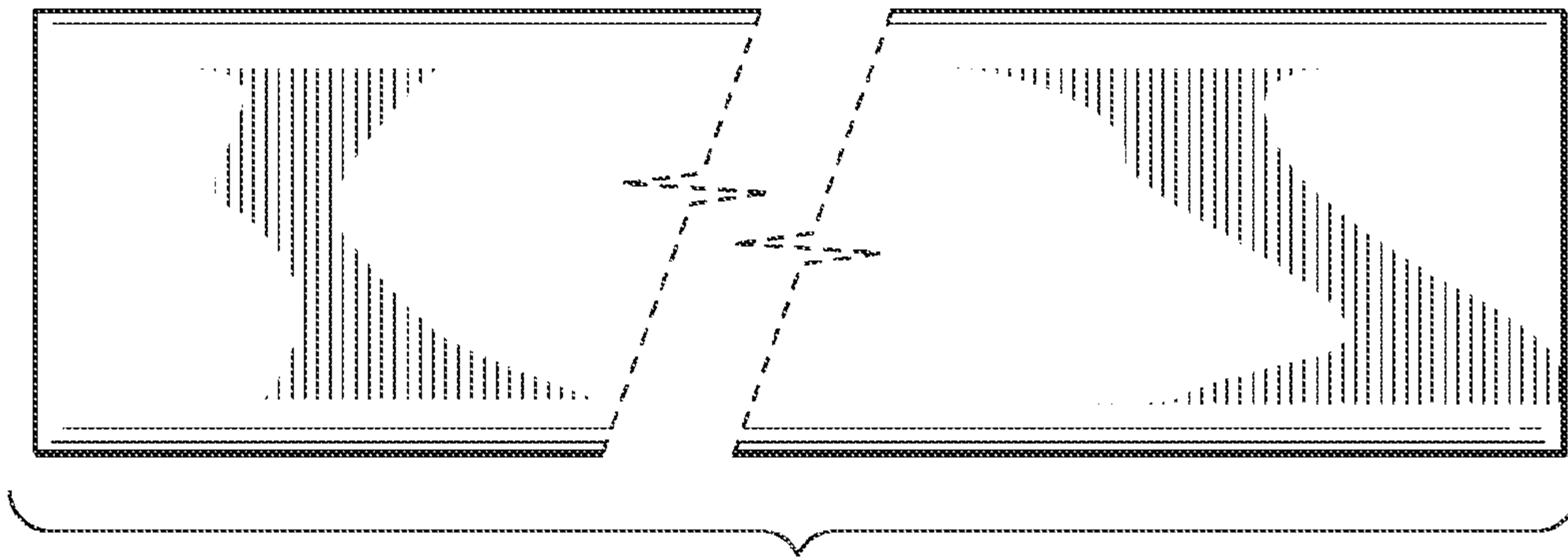


FIG. 3

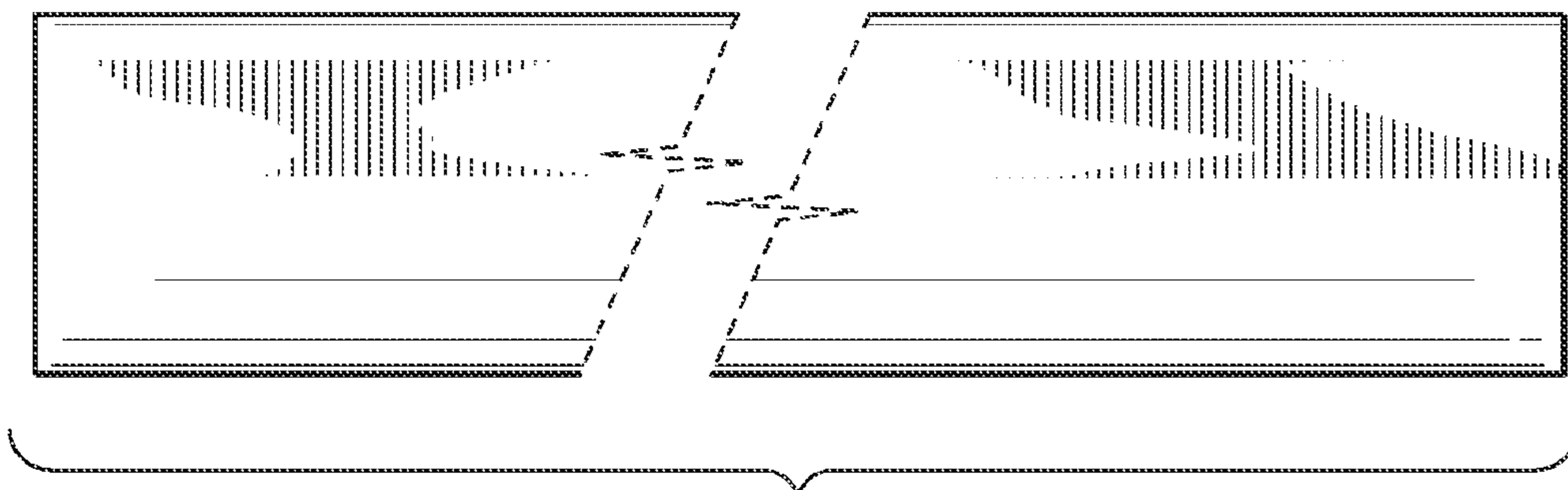


FIG. 4

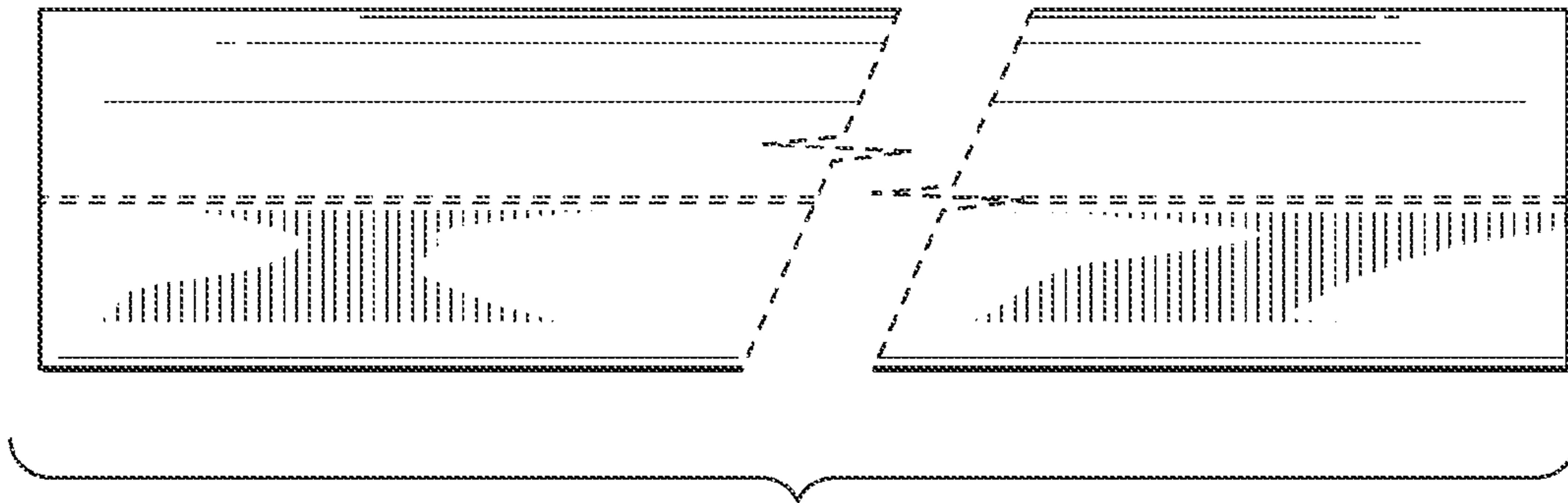


FIG. 5

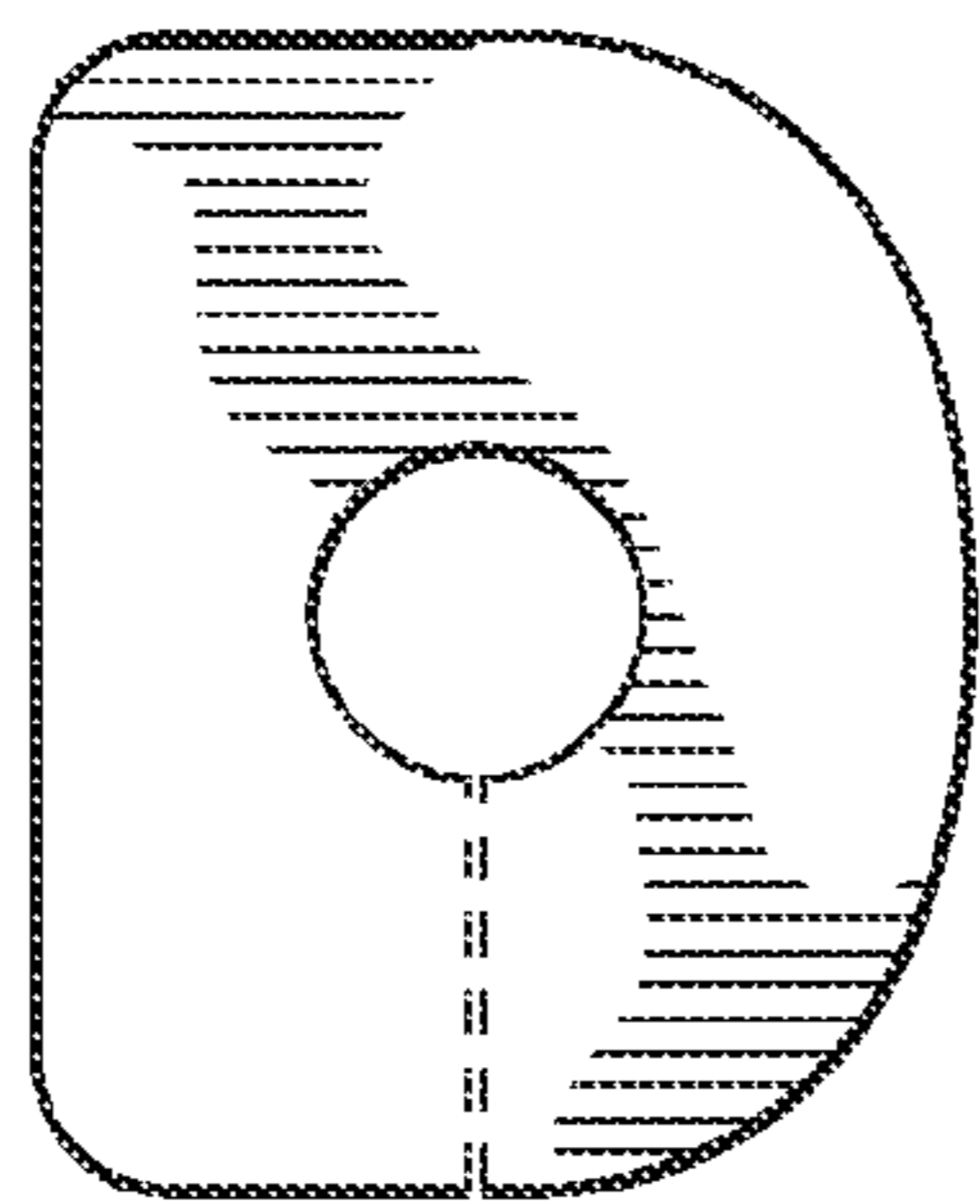


FIG. 6

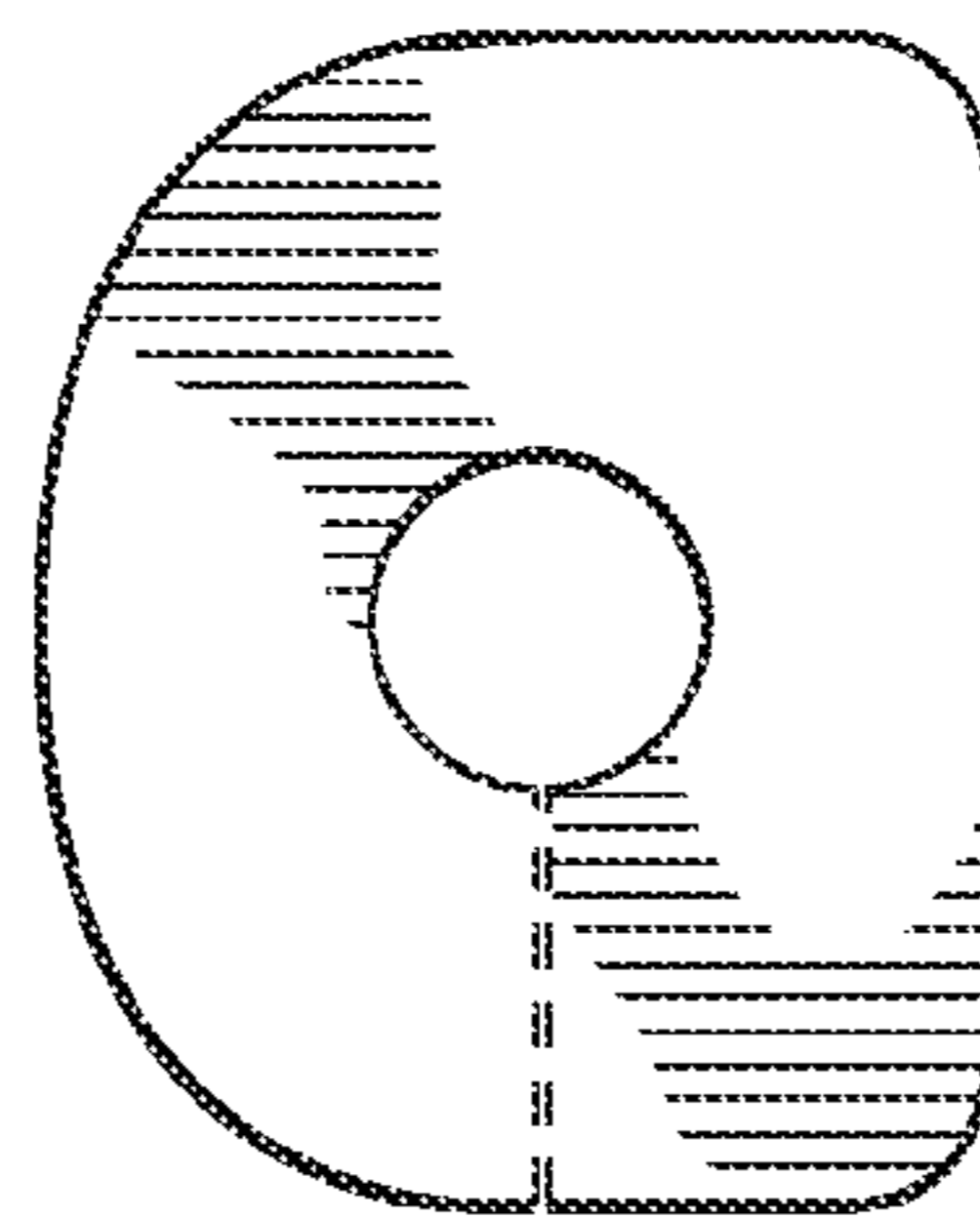


FIG. 7

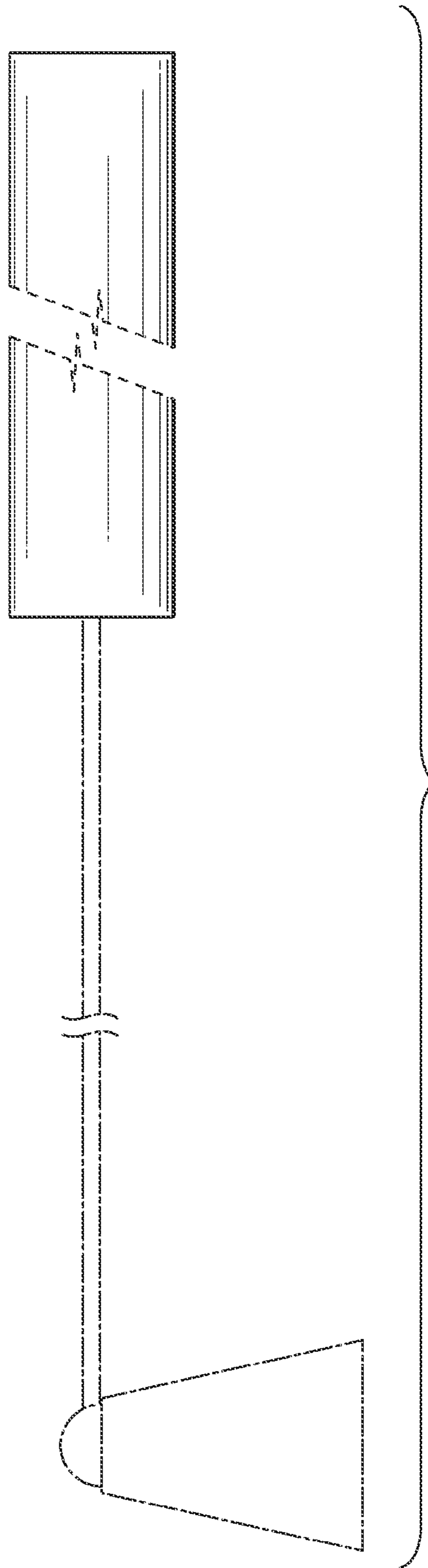


FIG. 8