

US00D639858S

(12) **United States Design Patent**
Ras et al.

(10) **Patent No.:** **US D639,858 S**

(45) **Date of Patent:** **** Jun. 14, 2011**

(54) **PENCIL SHARPENER**

(75) Inventors: **Jeffrey Ras**, Columbus, OH (US);
Michael Schumacher, Hilliard, OH
(US)

(73) Assignee: **Elmer's Products, Inc.**, Westerville, OH
(US)

(**) Term: **14 Years**

(21) Appl. No.: **29/369,336**

(22) Filed: **Sep. 7, 2010**

(51) **LOC (9) Cl.** **19-06**

(52) **U.S. Cl.** **D19/73**

(58) **Field of Classification Search** D8/91,
D8/98; D19/72-74, 99, 100; 30/451-462;
144/28.1, 28.11, 28.2-28.7, 28.72, 28.8,
144/28.9, 28.71, 28.5; D9/414, 424, 428,
D9/504

See application file for complete search history.

(56) **References Cited**

U.S. PATENT DOCUMENTS

D249,152 S * 8/1978 Macowski D19/73
D320,311 S * 10/1991 Kuhn D4/116
D324,700 S * 3/1992 Shimoo et al. D19/73
D357,645 S * 4/1995 Wang D11/164

D405,830 S * 2/1999 Mak D19/73
6,637,481 B2 * 10/2003 Mak et al. 144/28.5
6,737,481 B1 * 5/2004 Kurian et al. 525/444
D549,781 S * 8/2007 Lau D19/73
7,472,728 B1 * 1/2009 Geffen 144/28.5
D597,602 S * 8/2009 Racamier et al. D19/73

* cited by examiner

Primary Examiner — Elizabeth Albert

(74) *Attorney, Agent, or Firm* — McNees Wallace & Nurick,
LLC

(57) **CLAIM**

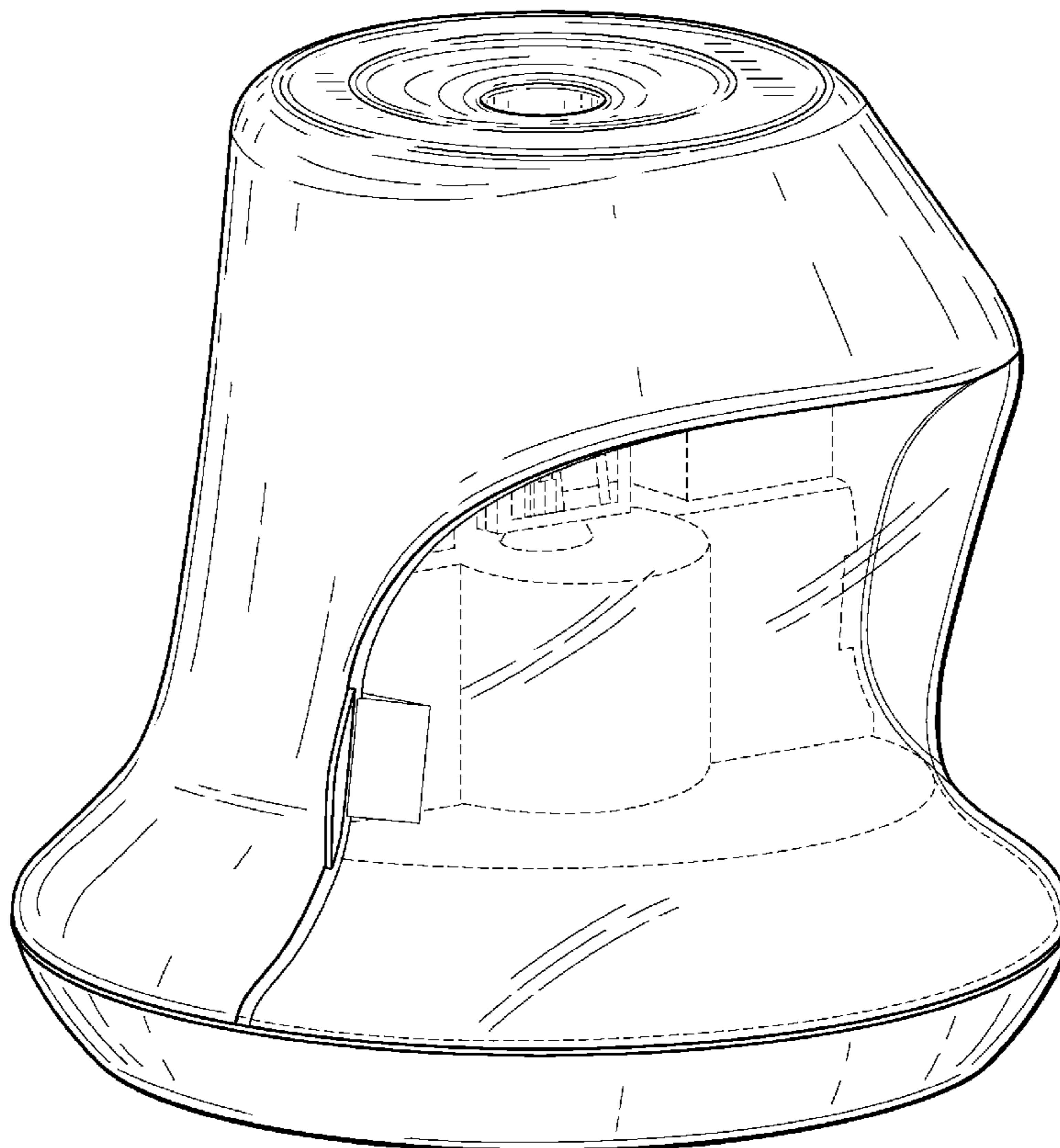
The ornamental design for a pencil sharpener, as shown and
described.

DESCRIPTION

FIG. 1 is a front perspective view of a pencil sharpener;
FIG. 2 is a front elevation view thereof;
FIG. 3 is a side elevation view thereof;
FIG. 4 is an opposite side elevation view thereof;
FIG. 5 is a rear elevation view thereof;
FIG. 6 is a top plan view thereof; and
FIG. 7 is a bottom plan view thereof; and
FIG. 8 is a rear perspective elevation view thereof.

The broken lines showing features in FIGS. 1 through 8 are
included for the purpose of illustrating portions of the pencil
sharpener that form no part of the claimed design.

1 Claim, 8 Drawing Sheets



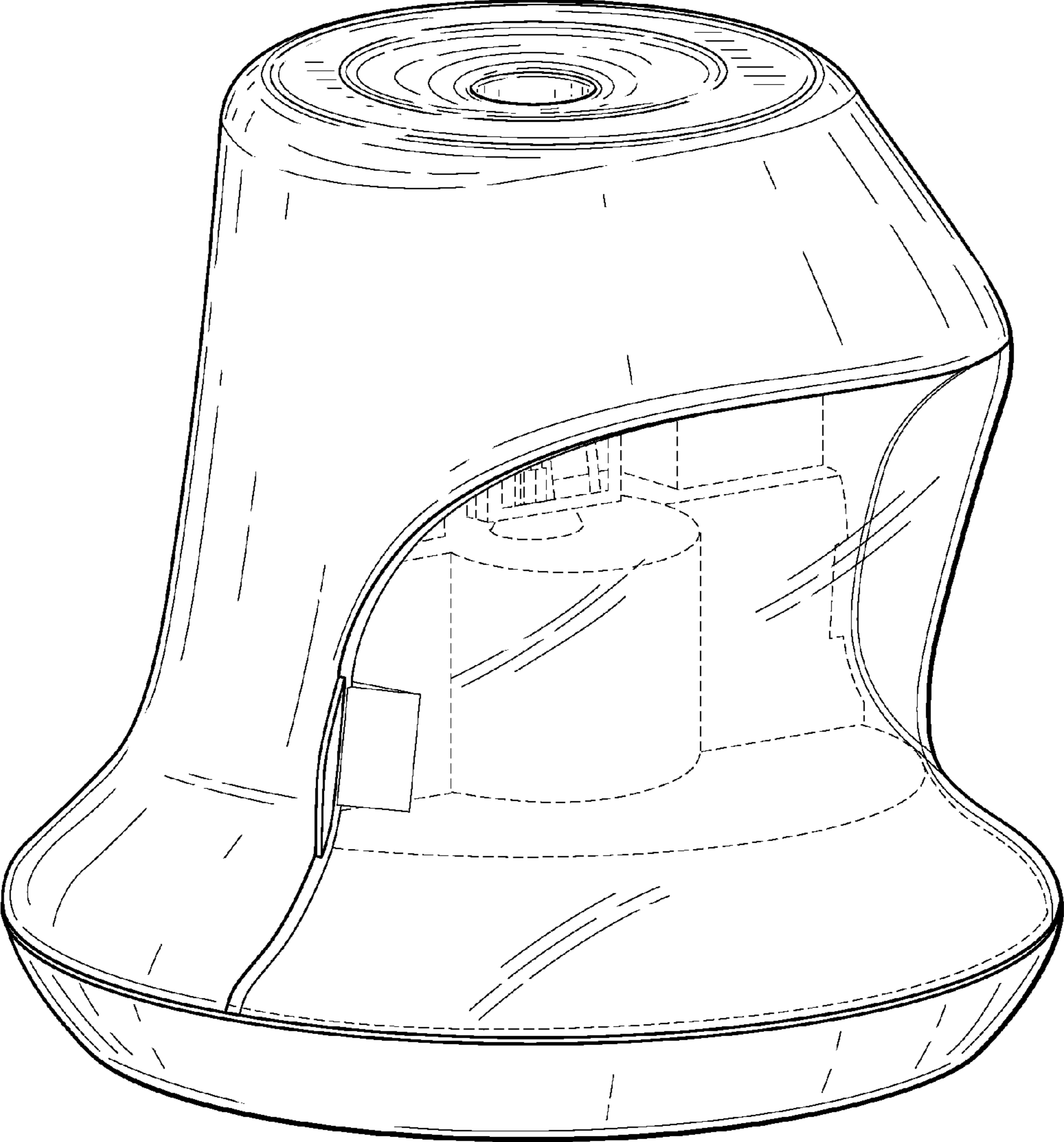


FIG. 1

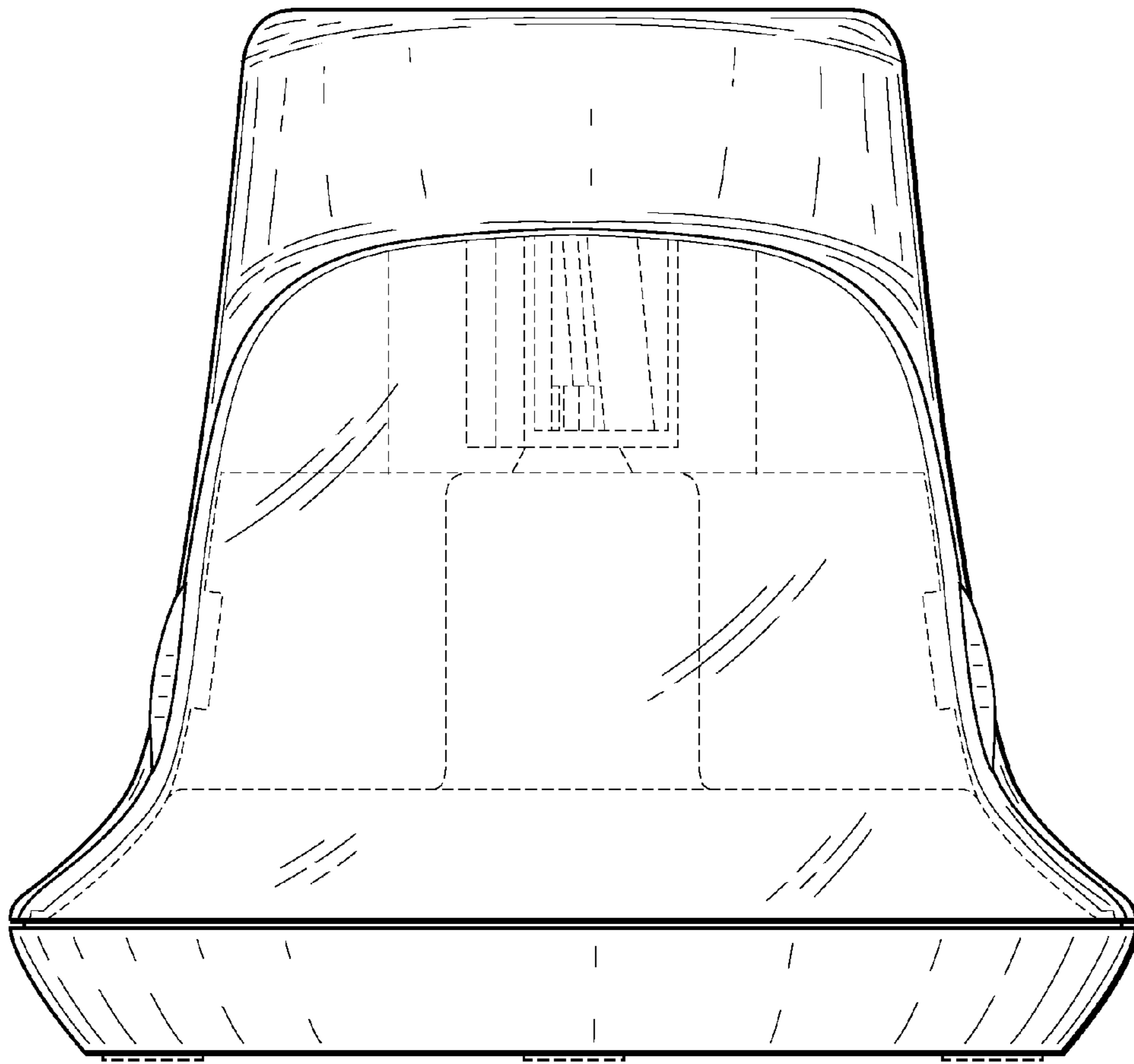


FIG. 2

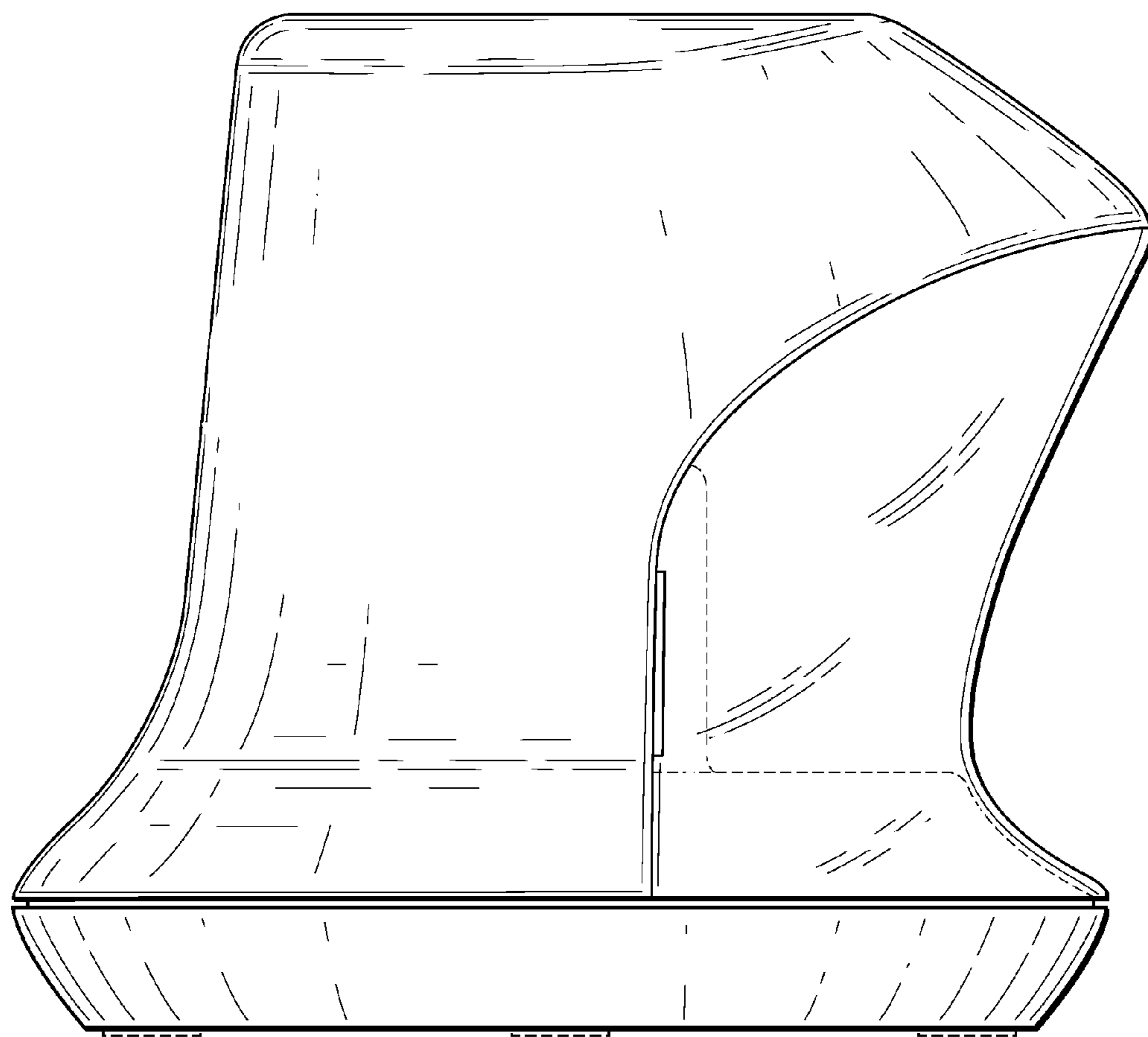


FIG. 3

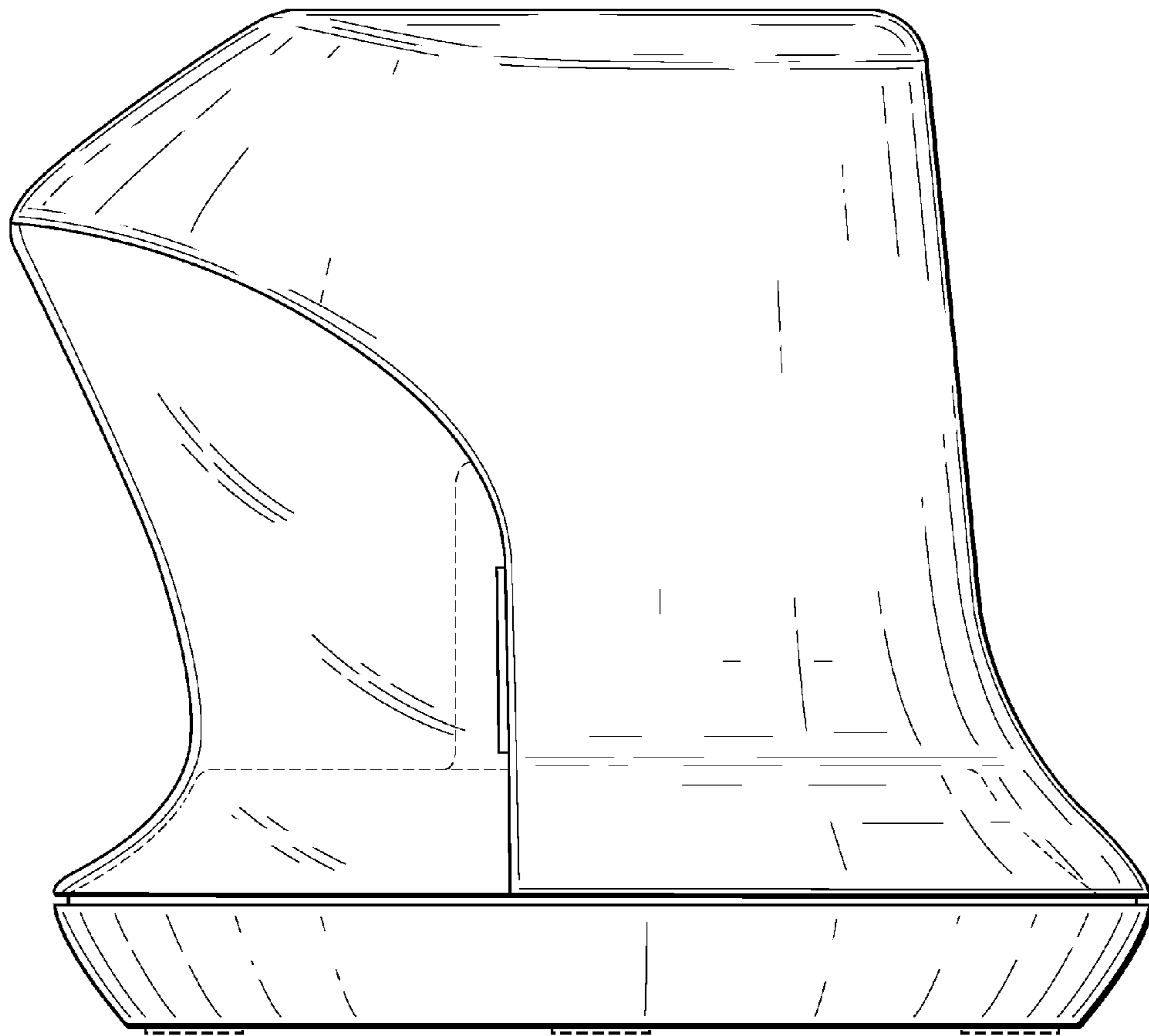


FIG. 4

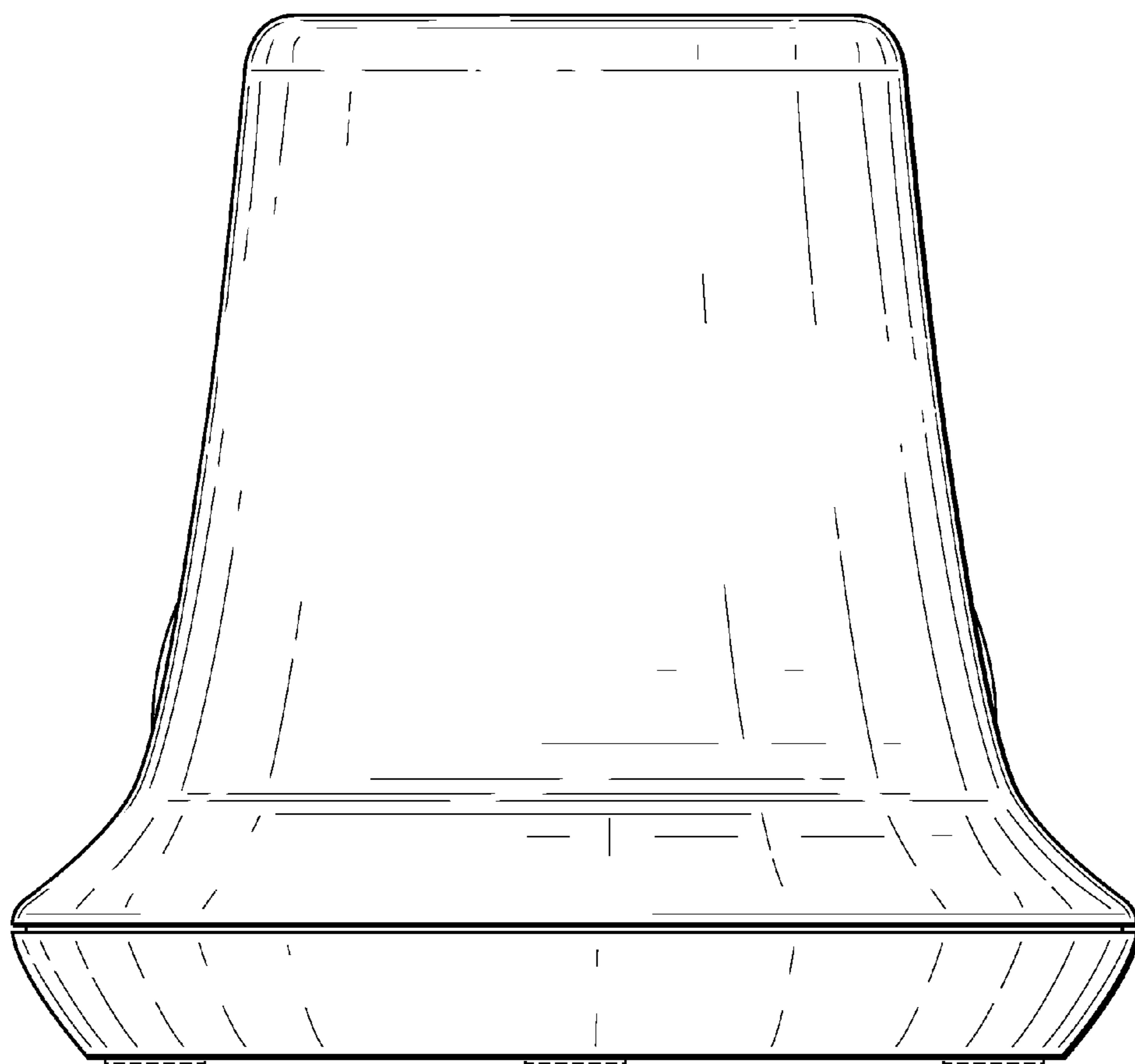


FIG. 5

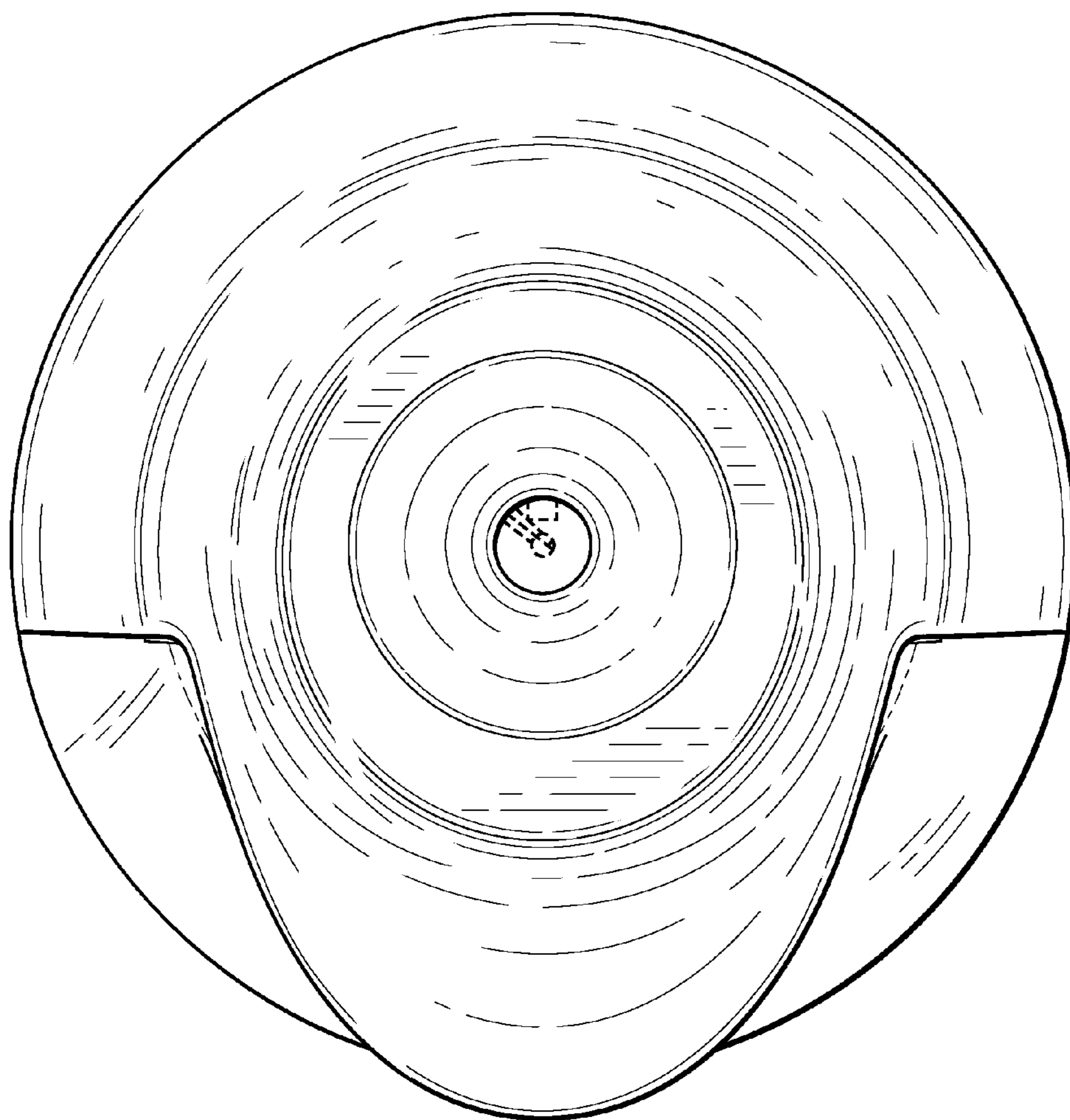


FIG. 6

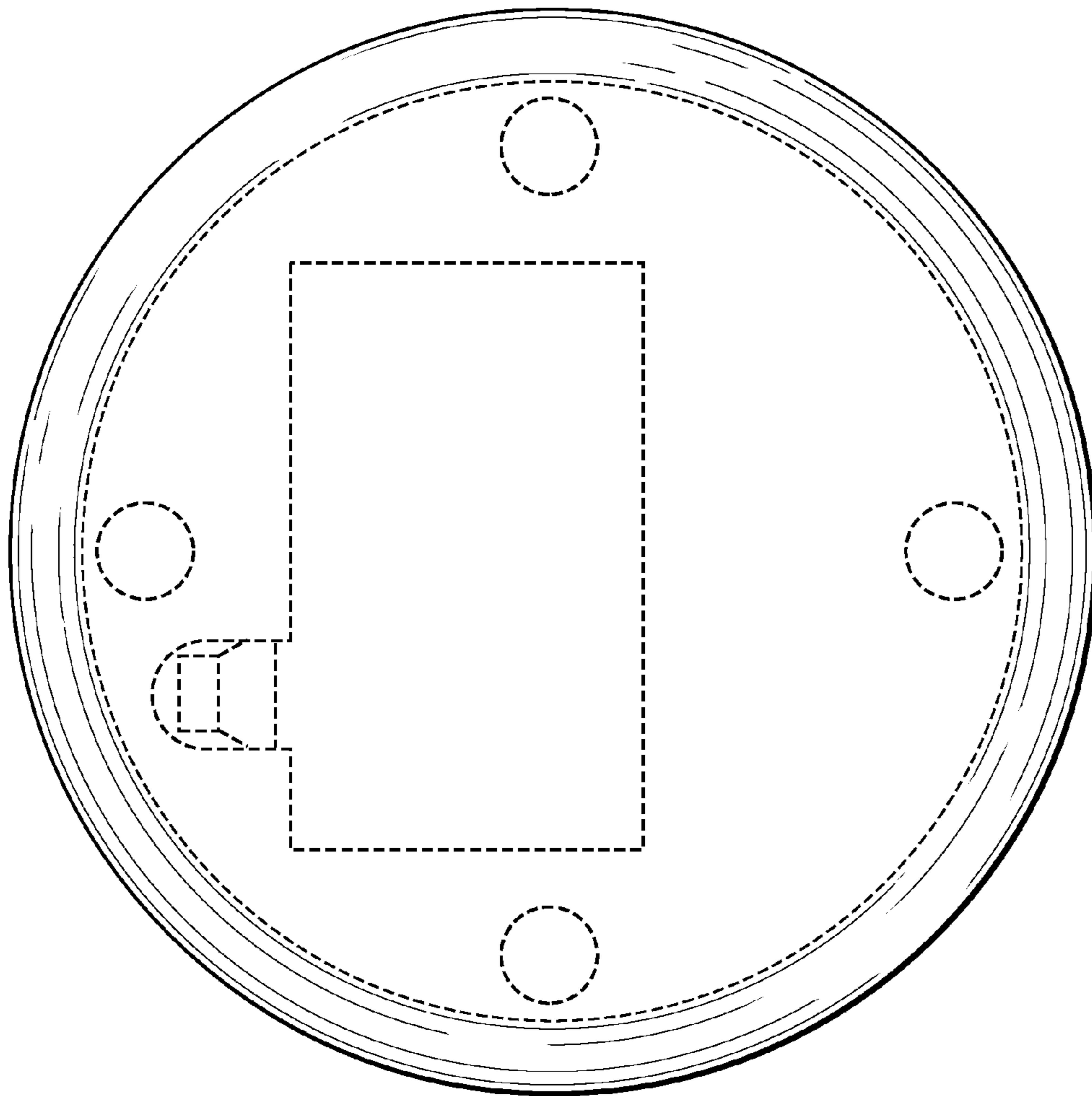


FIG. 7

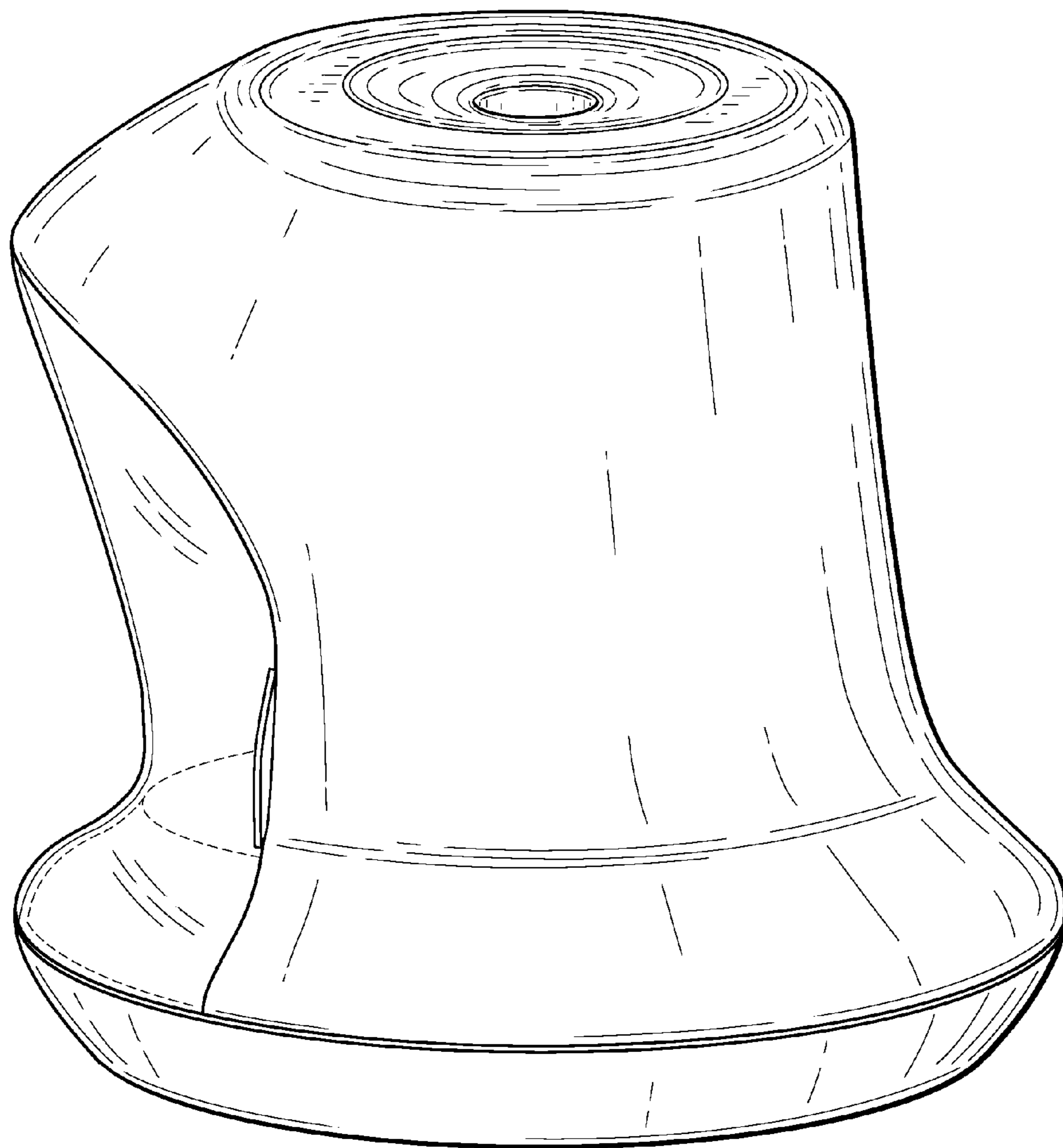


FIG. 8