



US00D639856S

(12) **United States Design Patent**
Åhman

(10) **Patent No.:** **US D639,856 S**

(45) **Date of Patent:** **** Jun. 14, 2011**

(54) **ELECTRONIC ERASER**

(75) Inventor: **Daniel Åhman**, Arlööv (SE)

(73) Assignee: **Anoto AB**, Lund (SE)

(**) Term: **14 Years**

(21) Appl. No.: **29/353,207**

(22) Filed: **Jan. 5, 2010**

(30) **Foreign Application Priority Data**

Jul. 9, 2009 (EM) 001151179-0001

(51) **LOC (9) Cl.** **19-06**

(52) **U.S. Cl.** **D19/53**

(58) **Field of Classification Search** D8/61,
D8/62; D19/53, 99; 15/3.53, 105.51, 344,
15/424, 425, 426, 427, 428, 429, 430, 431,
15/432, 433, 434

See application file for complete search history.

(56) **References Cited**

U.S. PATENT DOCUMENTS

D9,746 S * 2/1877 Dickinson D19/53
D228,615 S * 10/1973 Hall D8/61
D230,249 S * 2/1974 Miles D8/61

4,030,556 A * 6/1977 Phillips 173/120
4,866,319 A * 9/1989 Crutchfield 310/47
D320,811 S * 10/1991 Fuchs D19/53
D324,699 S * 3/1992 Ohashi D19/53
D480,424 S * 10/2003 Belton et al. D19/53
D484,022 S * 12/2003 Tsai D8/107
D517,218 S * 3/2006 Kalen D24/215
D598,022 S * 8/2009 Kujawski et al. D14/409
D624,380 S * 9/2010 Rane et al. D8/61
D626,591 S * 11/2010 Ollgaard et al. D19/53

* cited by examiner

Primary Examiner — Elizabeth A Albert

(74) *Attorney, Agent, or Firm* — Birch, Stewart, Kolasch & Birch, LLP

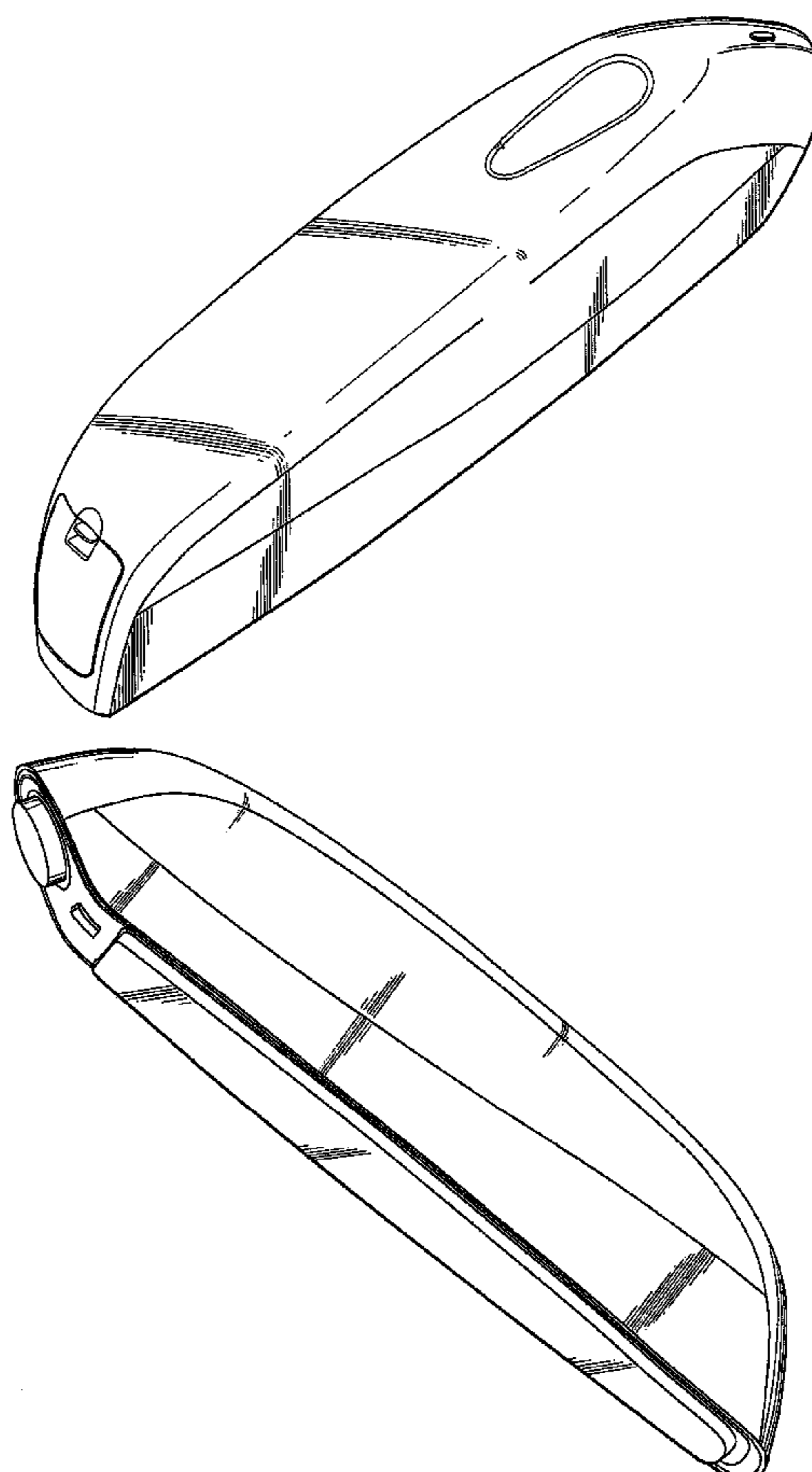
(57) **CLAIM**

The ornamental design for a electronic eraser, as shown and described.

DESCRIPTION

FIG. 1 is a rear perspective view of an electronic eraser showing my new design;
FIG. 2 is a left side perspective view thereof;
FIG. 3 is a top plan view thereof;
FIG. 4 is a bottom plan view thereof;
FIG. 5 is a right side elevational view thereof;
FIG. 6 is a rear elevational view thereof; and,
FIG. 7 is a front elevational view thereof.

1 Claim, 7 Drawing Sheets



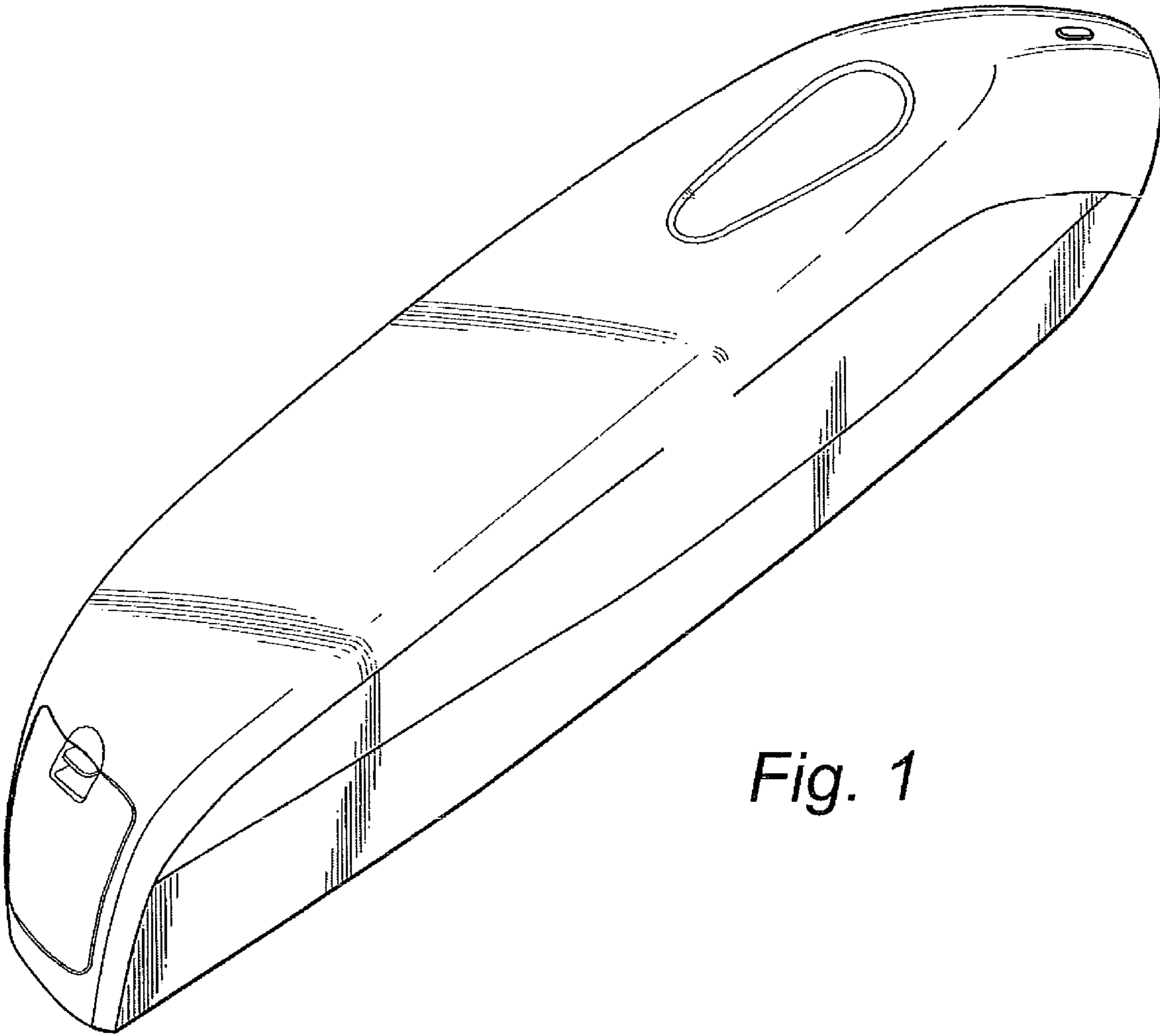


Fig. 1

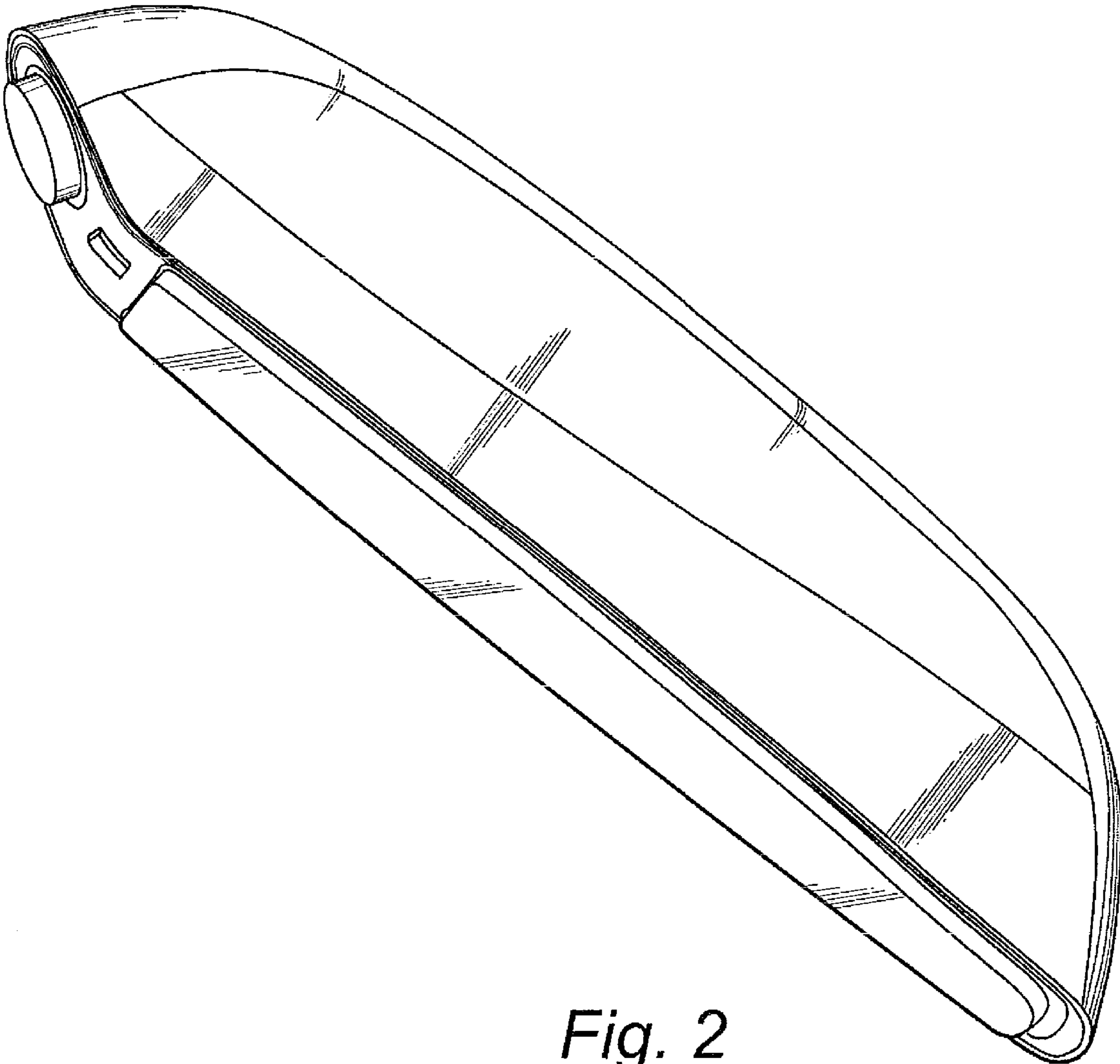


Fig. 2

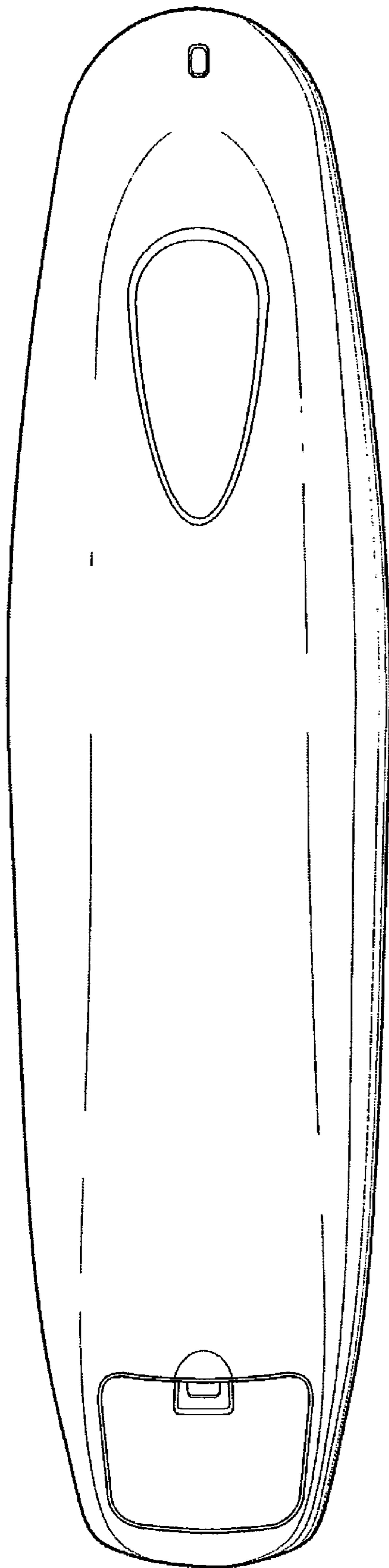


Fig. 3

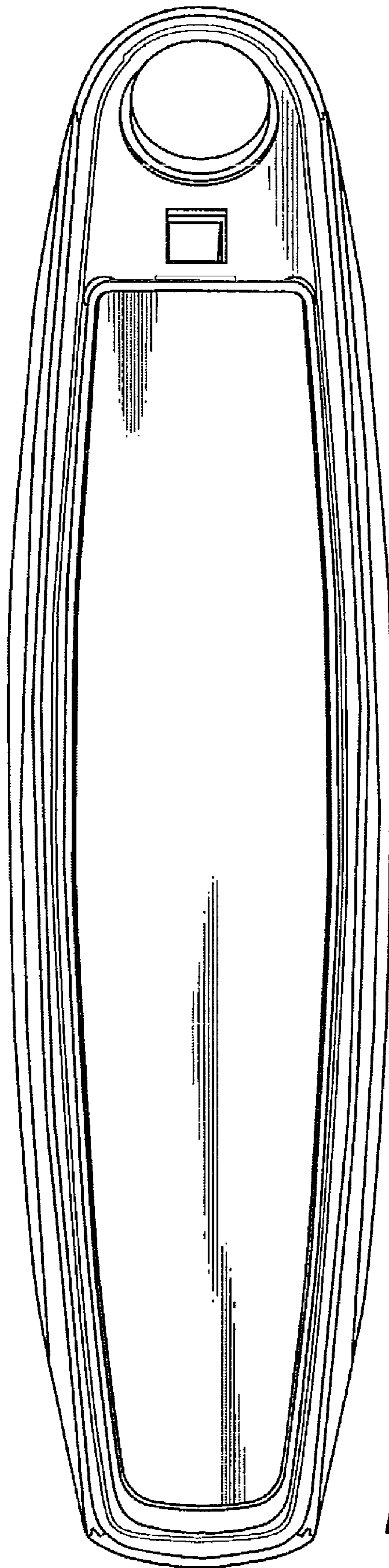


Fig. 4

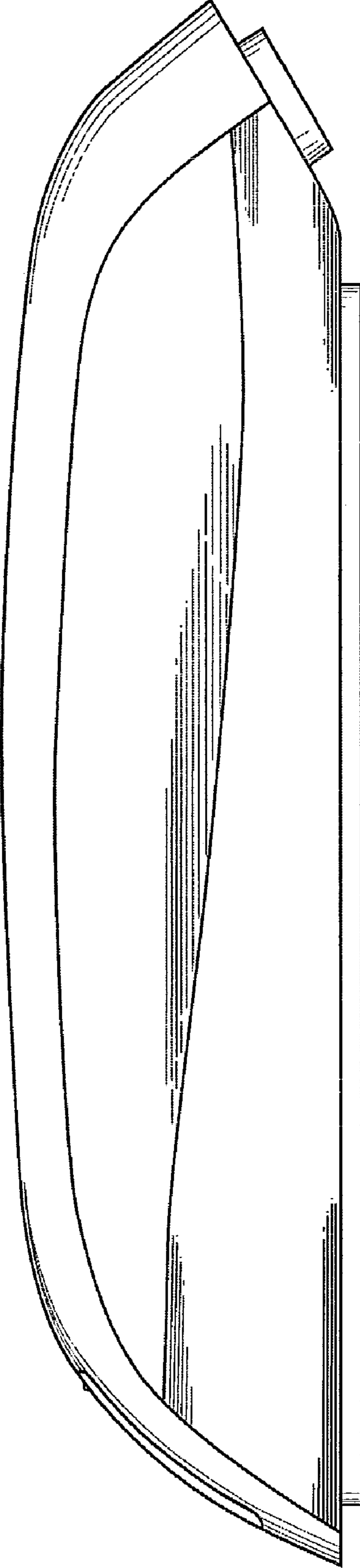


Fig. 5

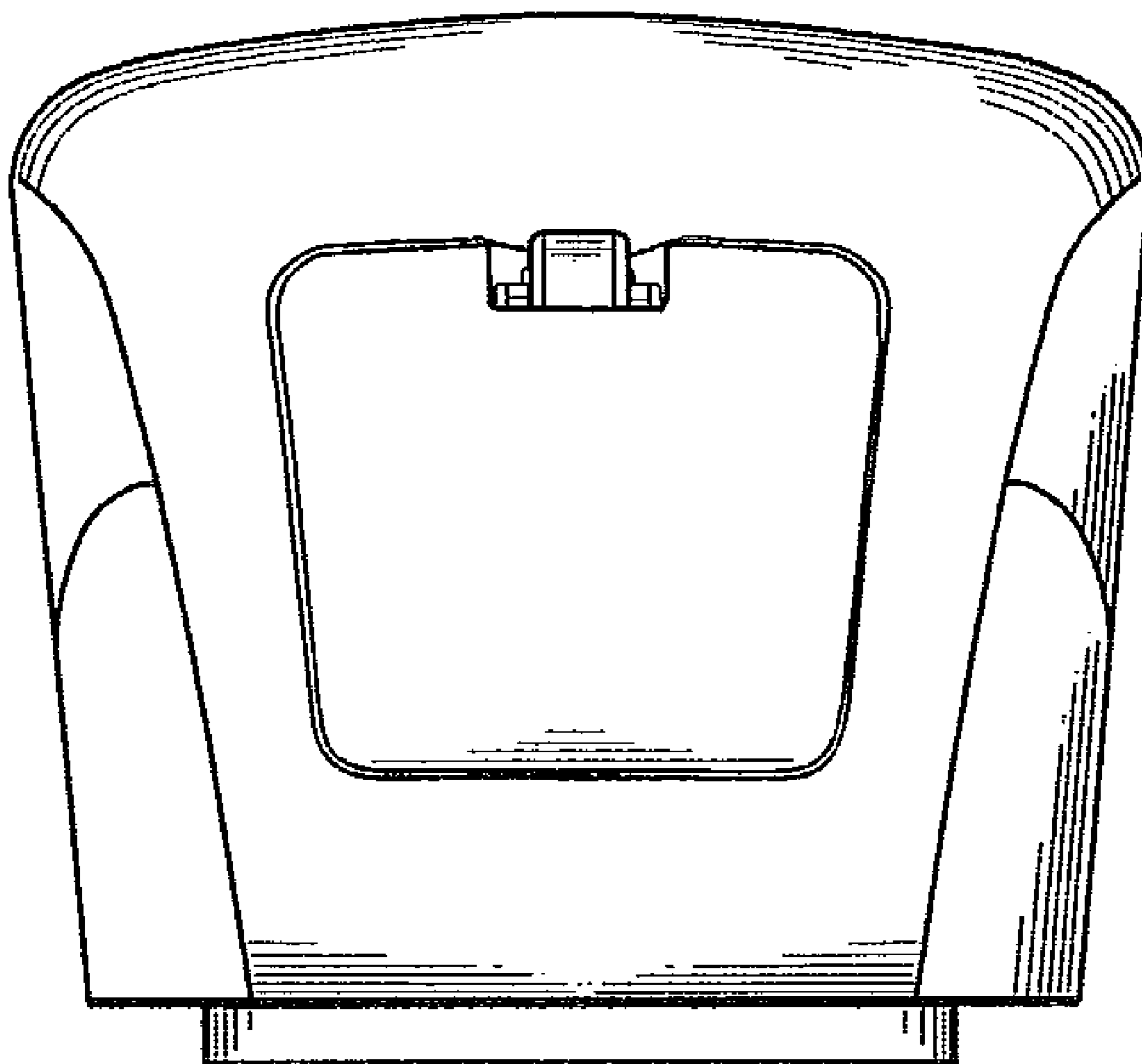


Fig. 6

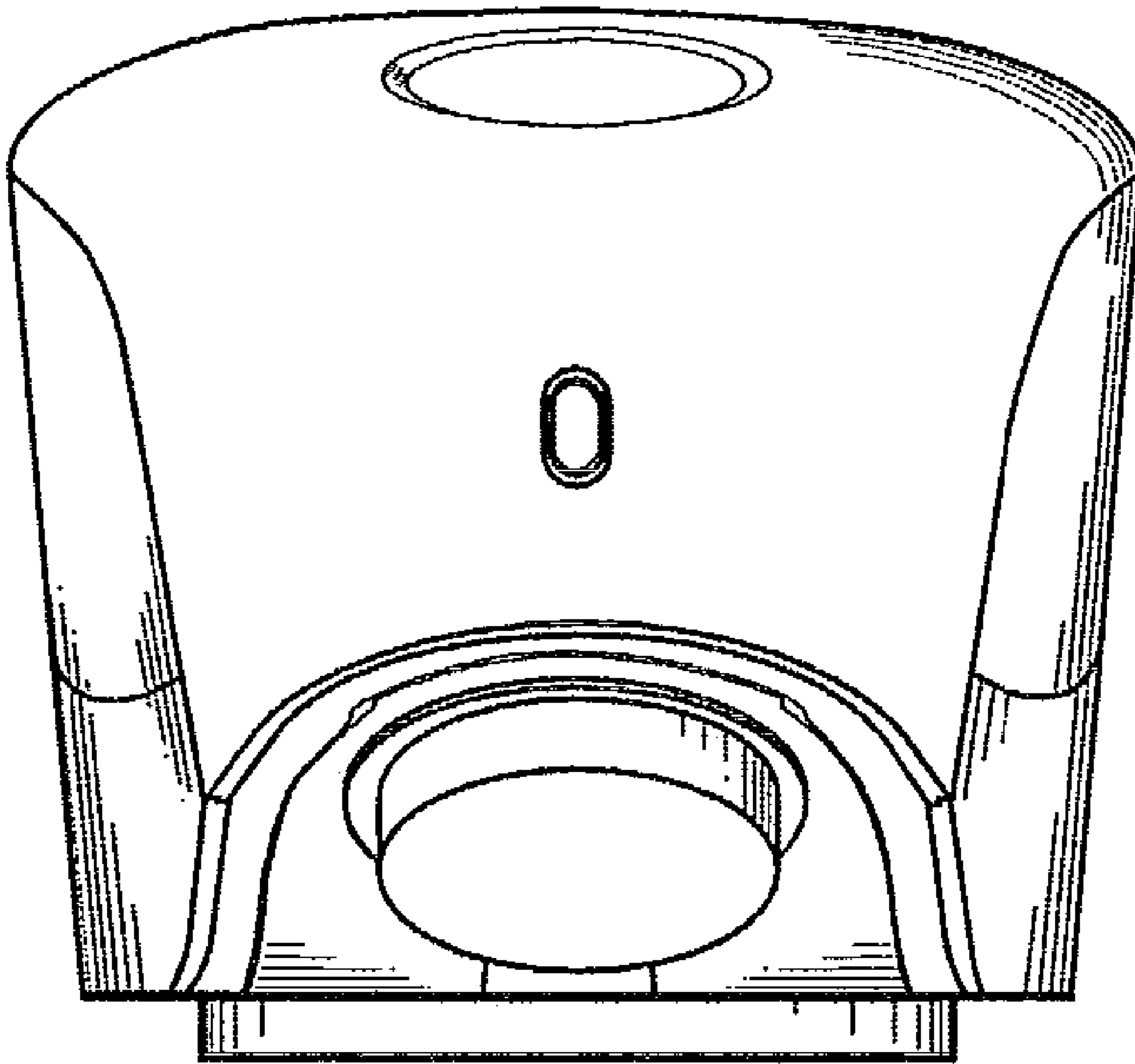


Fig. 7