



US00D639854S

(12) **United States Design Patent**
Canizio, Sr.

(10) **Patent No.:** **US D639,854 S**

(45) **Date of Patent:** **** Jun. 14, 2011**

(54) **SCRIBER**

(76) Inventor: **Patrick A. Canizio, Sr.**, Boca Raton, FL
(US)

(**) Term: **14 Years**

(21) Appl. No.: **29/372,308**

(22) Filed: **Nov. 8, 2010**

(51) **LOC (9) Cl.** **19-06**

(52) **U.S. Cl.** **D19/35**

(58) **Field of Classification Search** D8/71;
D19/35, 36, 65, 99, 100; 33/18.1, 21.3, 23.01,
33/27.01, 27.11, 41.1, 41.5, 41.6, 42; D10/63
See application file for complete search history.

(56) **References Cited**

U.S. PATENT DOCUMENTS

3,826,007	A *	7/1974	Senshu et al.	33/432
3,946,491	A *	3/1976	Bailey et al.	33/23.01
4,248,282	A	2/1981	Cieri et al.	
4,334,360	A *	6/1982	Burns et al.	33/42
4,360,975	A *	11/1982	Wurtz	33/432
4,393,594	A *	7/1983	Hoffman et al.	33/203.16
4,570,757	A *	2/1986	Marzullo	188/67
4,635,369	A	1/1987	Powell	
RE33,654	E *	8/1991	Hoegh	33/449
5,383,277	A *	1/1995	Shimoda et al.	33/18.1

5,651,184	A *	7/1997	Tutty	33/21.1
6,804,890	B1	10/2004	Kennedy, Sr.	
7,823,294	B2 *	11/2010	Contreras	33/27.03

* cited by examiner

Primary Examiner — Elizabeth Albert

(74) *Attorney, Agent, or Firm* — Paul R. Martin

(57) **CLAIM**

The ornamental design for a scriber, as shown and described.

DESCRIPTION

FIG. 1 is a perspective view from above of my new design for a scriber.

FIG. 2 is an top plan view of the scriber shown in FIG. 1.

FIG. 3 is an elevational view of the front of the scriber shown in FIG. 1.

FIG. 4 is an elevational view of the back of the scriber shown in FIG. 1.

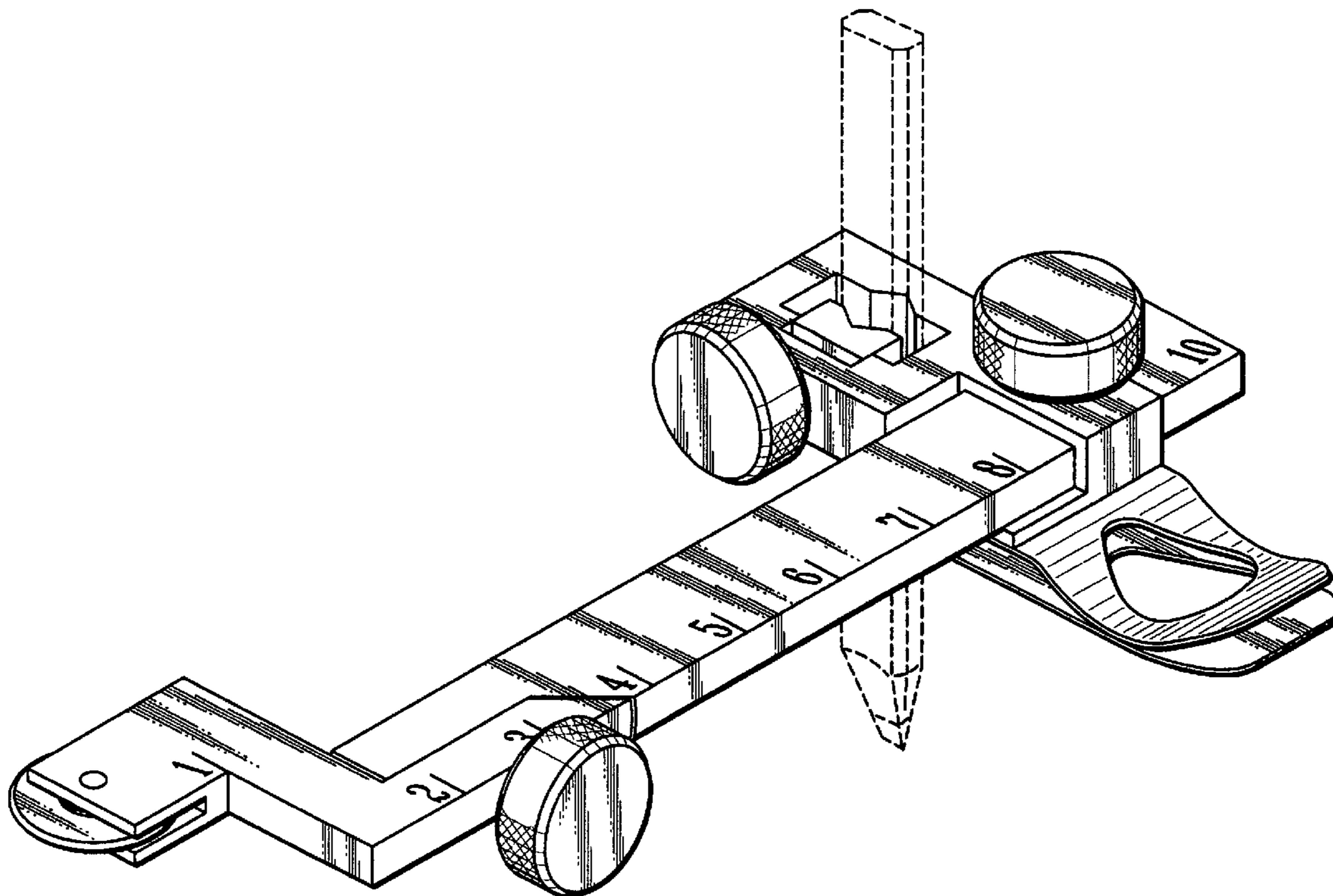
FIG. 5 is a bottom plan view of the scriber shown FIG. 1.

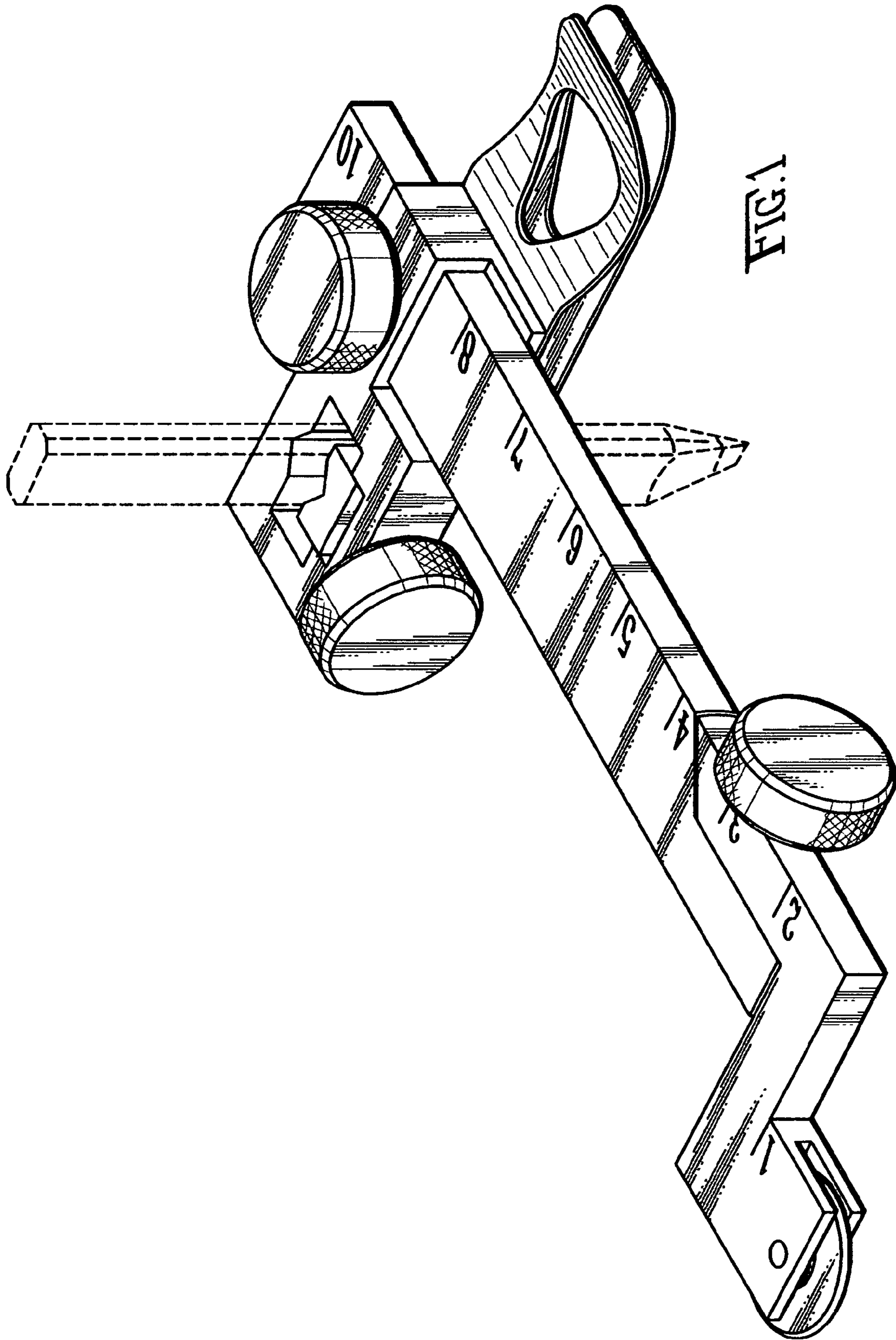
FIG. 6 is an end elevational view from the right side of the scriber shown in FIG. 1; and,

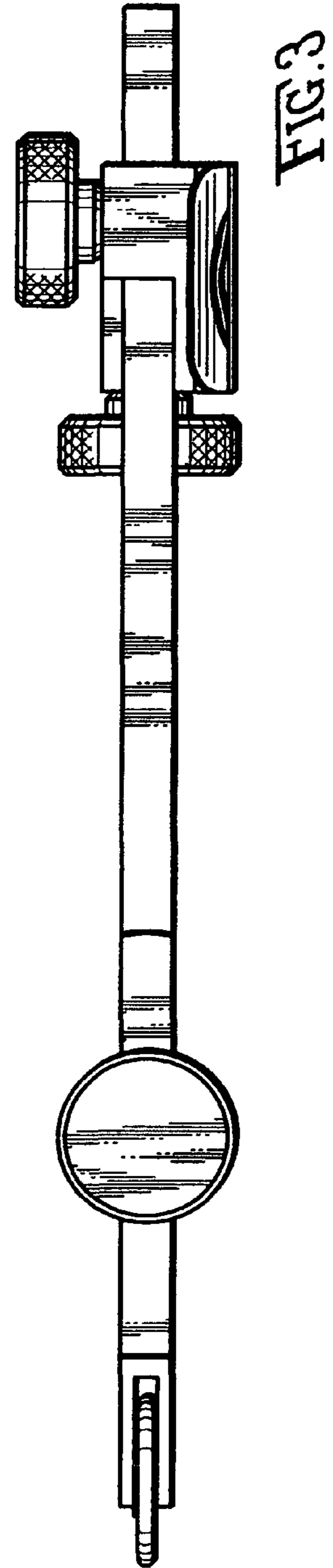
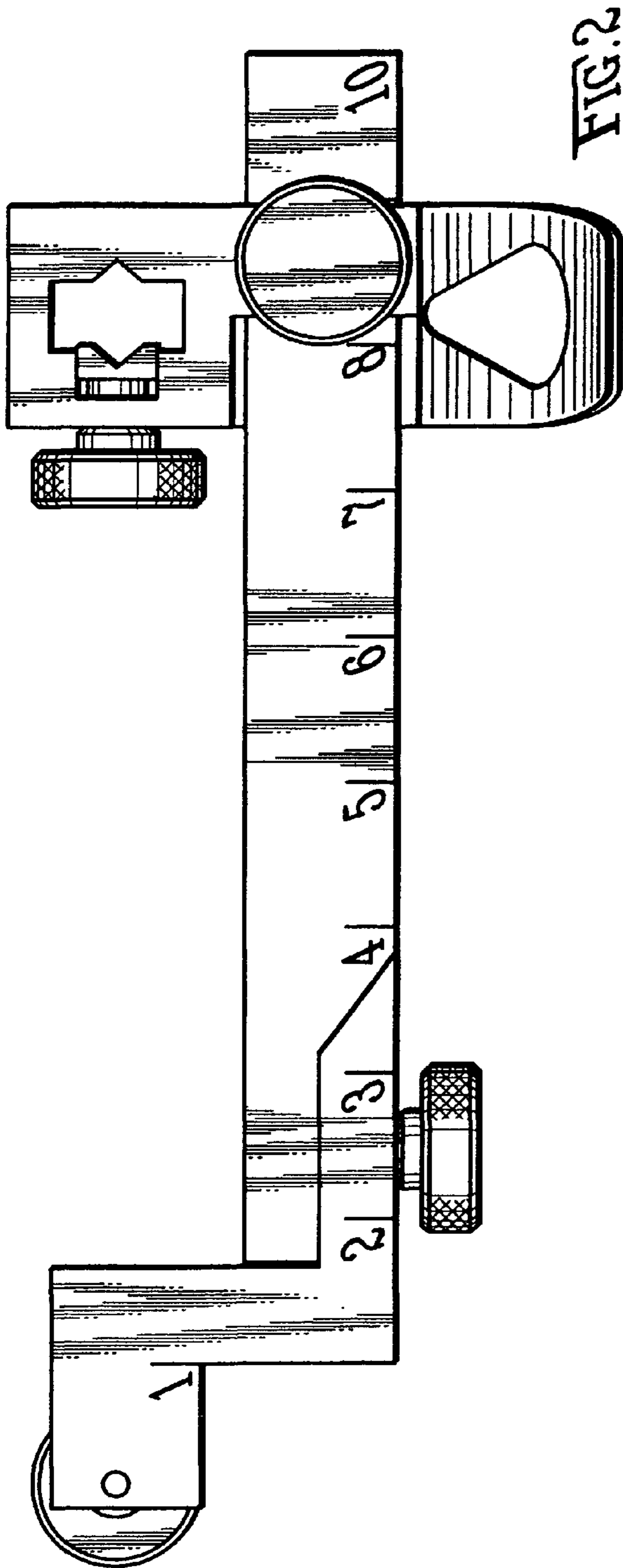
FIG. 7 is an end elevational view from the left side of the scriber shown in FIG. 1.

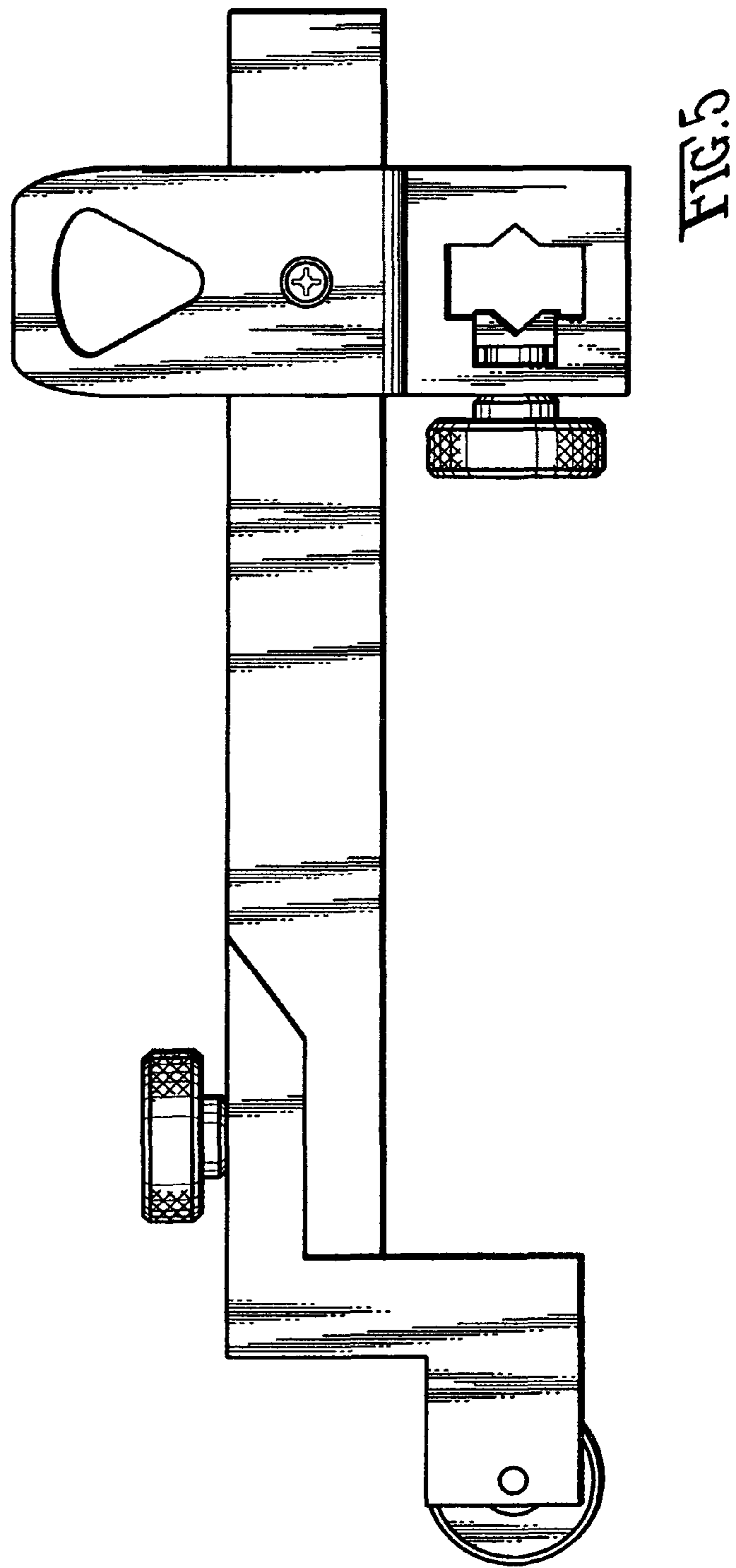
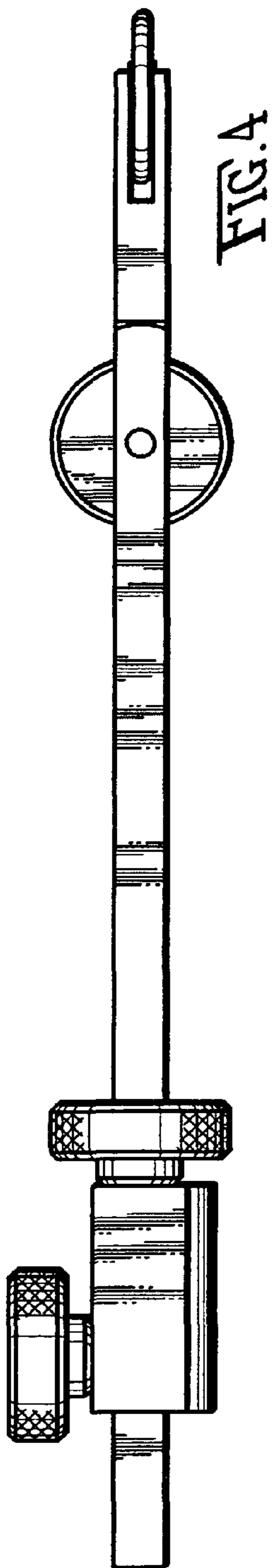
The broken lines depicting a pencil in FIG. 1 are included for the purpose of illustrating a feature that forms no part of the claimed design.

1 Claim, 4 Drawing Sheets









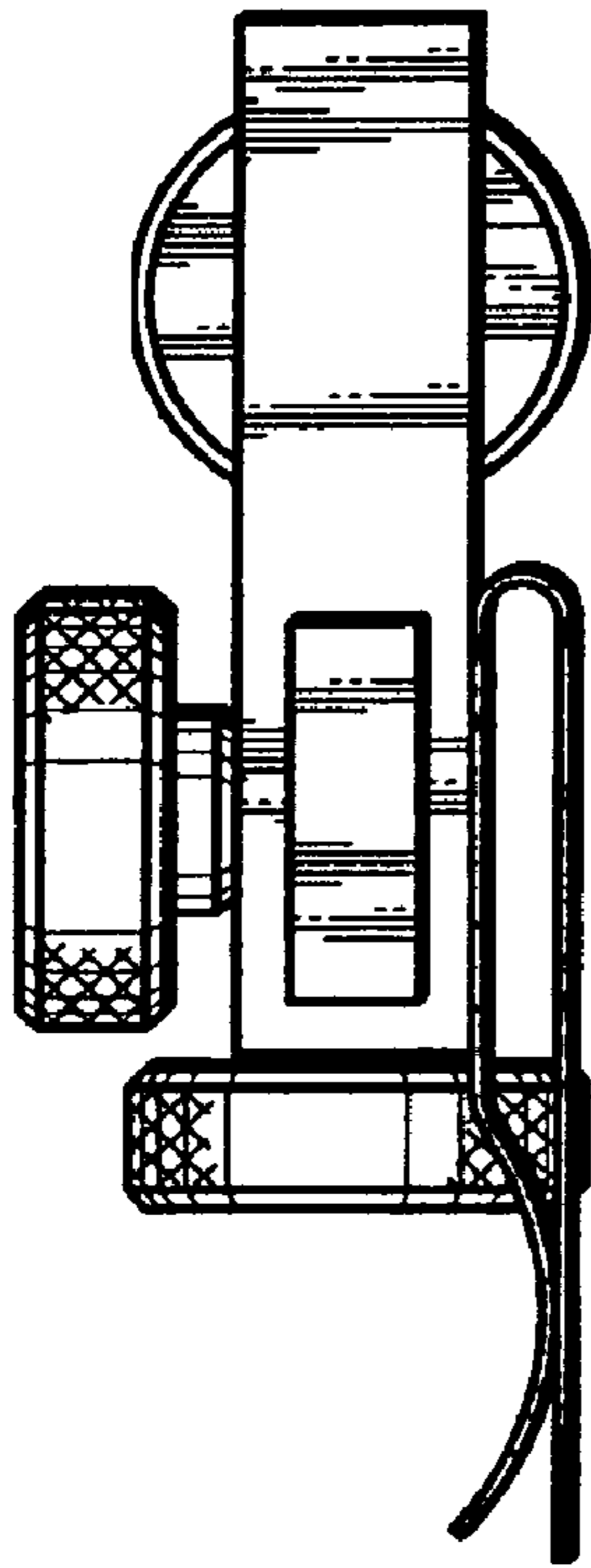


FIG. 6

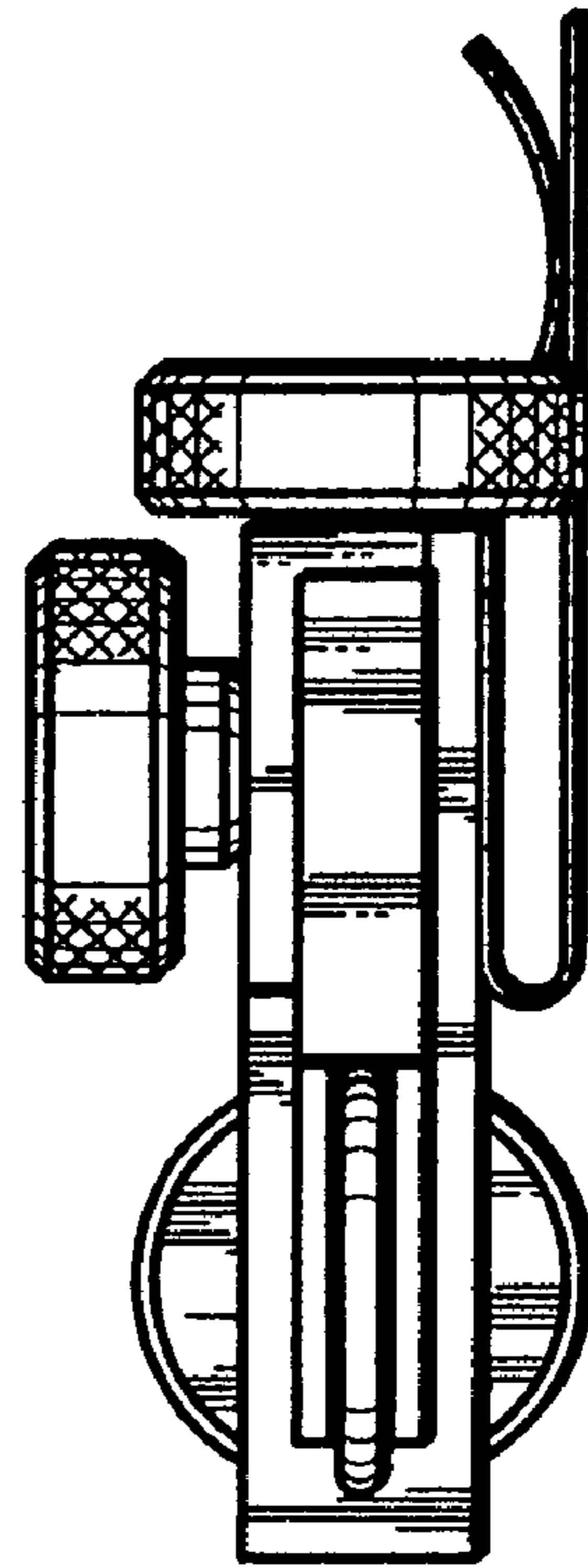


FIG. 7