

US00D639851S

(12) **United States Design Patent**
Penke et al.

(10) **Patent No.:** **US D639,851 S**
(45) **Date of Patent:** **** Jun. 14, 2011**

(54) **MULTIFUNCTION PRINTER**

(75) Inventors: **Mark S Penke**, West Henrietta, NY
(US); **Donald A Brown**, Honeoye Falls,
NY (US); **James B Smith**, Honeoye
Falls, NY (US)

(73) Assignee: **Xerox Corporation**, Norwalk, CT (US)

(**) Term: **14 Years**

(21) Appl. No.: **29/358,602**

(22) Filed: **Mar. 30, 2010**

(51) **LOC (9) Cl.** **14-02**

(52) **U.S. Cl.** **D18/55**

(58) **Field of Classification Search** D18/14,
D18/19, 36-37, 50, 54, 54.1, 55; D14/420-425,
D14/463-470; 400/613, 613.1-613.4, 690.1-690.4,
400/691-694

See application file for complete search history.

(56) **References Cited**

U.S. PATENT DOCUMENTS

- D502,500 S * 3/2005 Hoshiya et al. D18/50
- D534,578 S * 1/2007 Katayama et al. D18/55
- D545,357 S * 6/2007 Hattori et al. D18/55

- D557,737 S * 12/2007 Falk et al. D18/53
- D575,330 S * 8/2008 Egami et al. D18/55
- D579,973 S * 11/2008 Park et al. D18/55
- D586,385 S * 2/2009 Kim et al. D18/55
- D596,227 S * 7/2009 Larson et al. D18/55
- D616,927 S * 6/2010 Suzuki et al. D18/55

* cited by examiner

Primary Examiner — Cathy A MacCormac

(74) *Attorney, Agent, or Firm* — Tallam I. Nguti

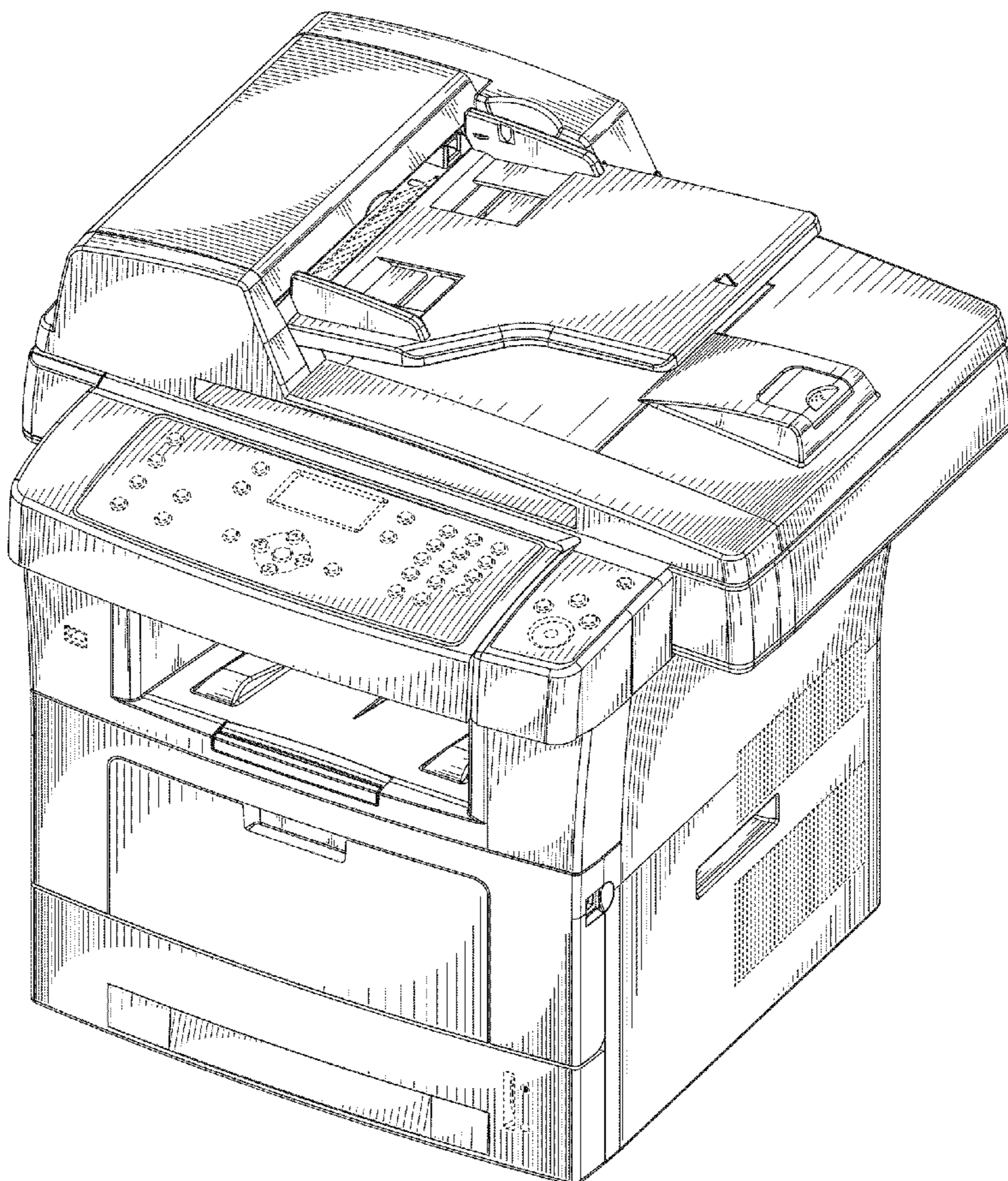
(57) **CLAIM**

The ornamental design for a multifunction printer, as shown and described.

DESCRIPTION

FIG. 1 is a perspective view of a multifunction printer in accordance with the present invention;
 FIG. 2 is a front view thereof;
 FIG. 3 is a right side view thereof;
 FIG. 4 is a rear view thereof;
 FIG. 5 is a left side view thereof;
 FIG. 6 is a top plan view thereof; and,
 FIG. 7 is a bottom plan view thereof.
 The broken lines shown are for illustrative purposes only and form no part of the claimed design.

1 Claim, 7 Drawing Sheets



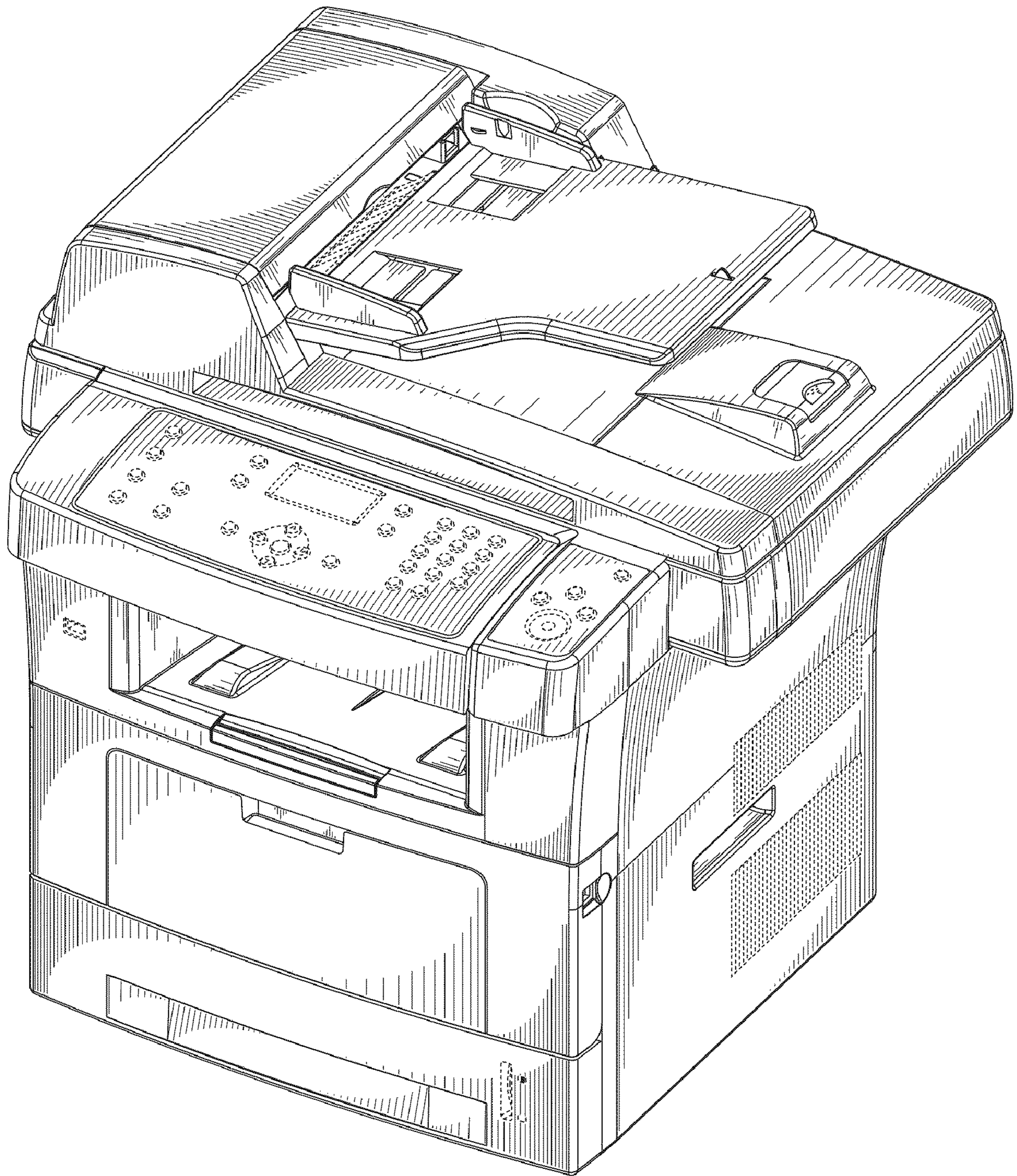


FIG. 1

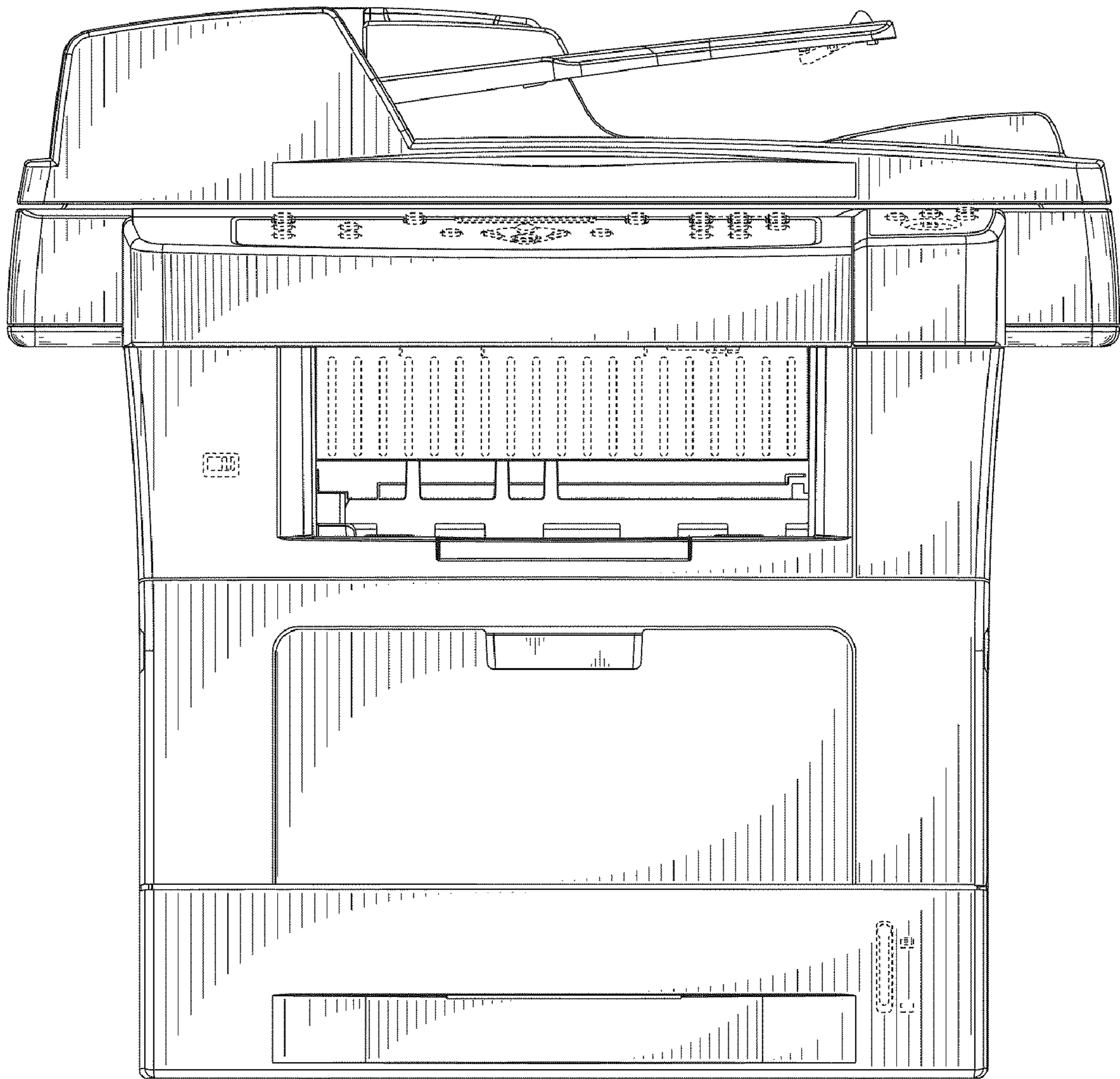


FIG. 2

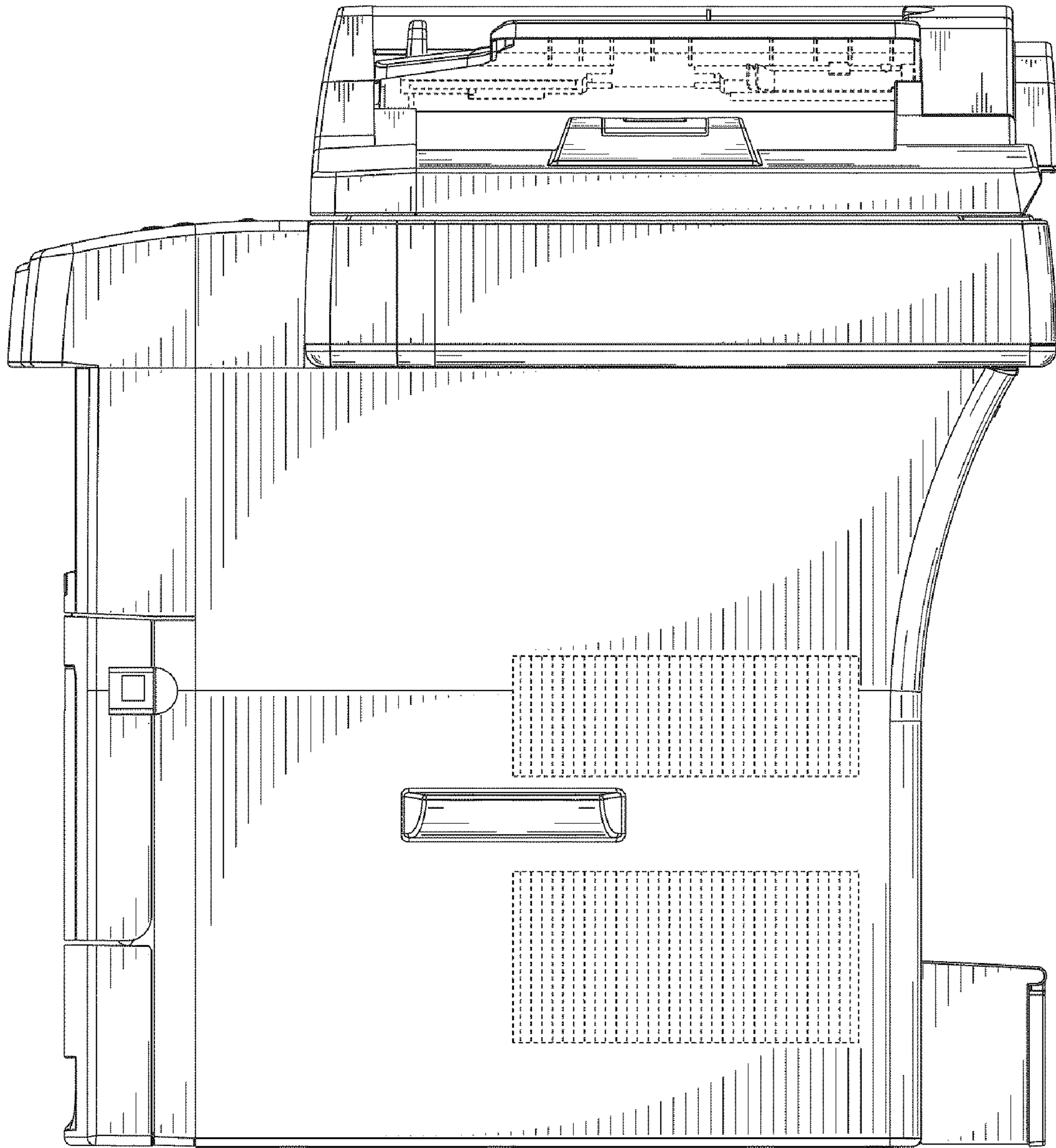


FIG. 3

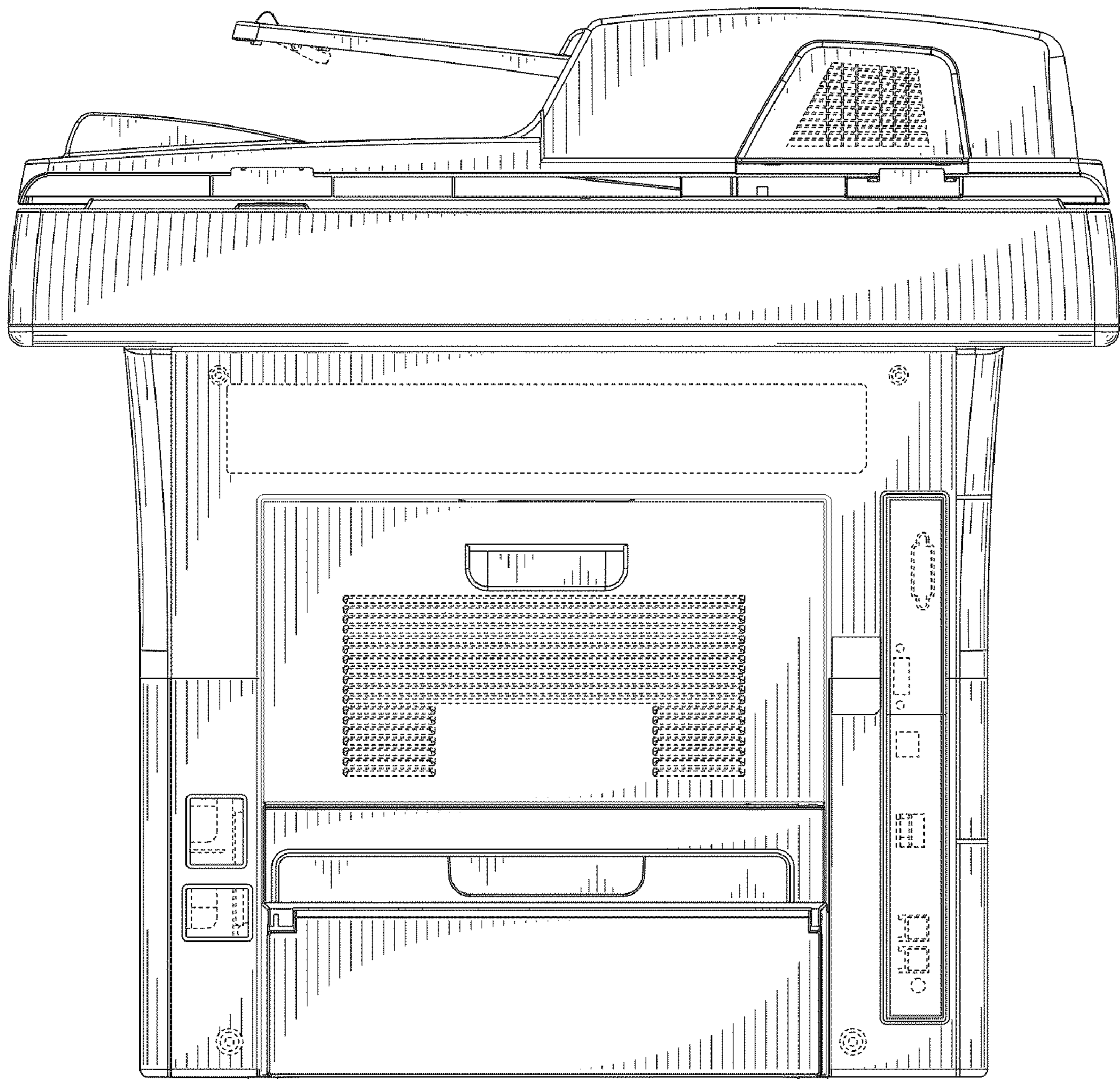


FIG. 4

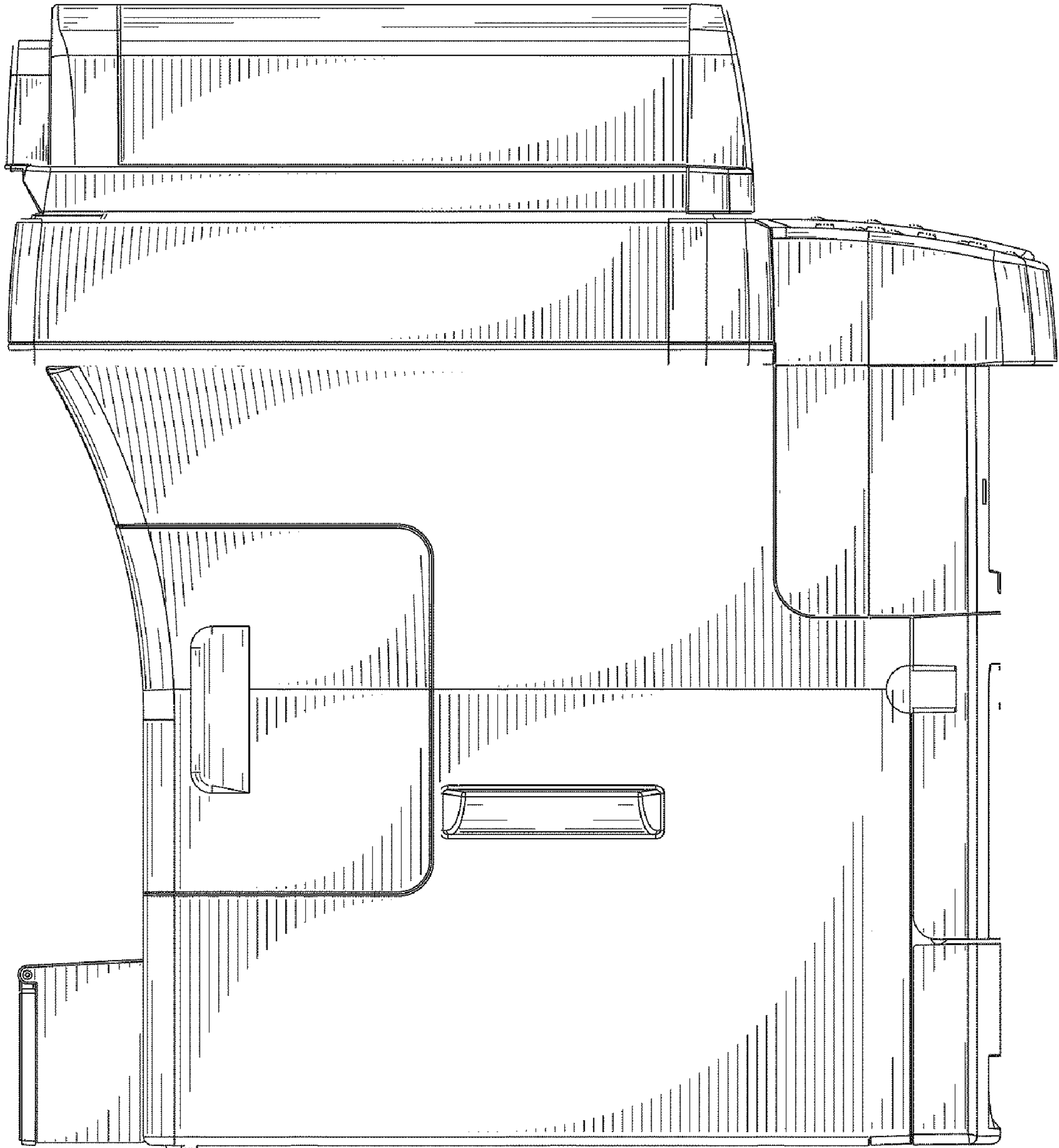


FIG. 5

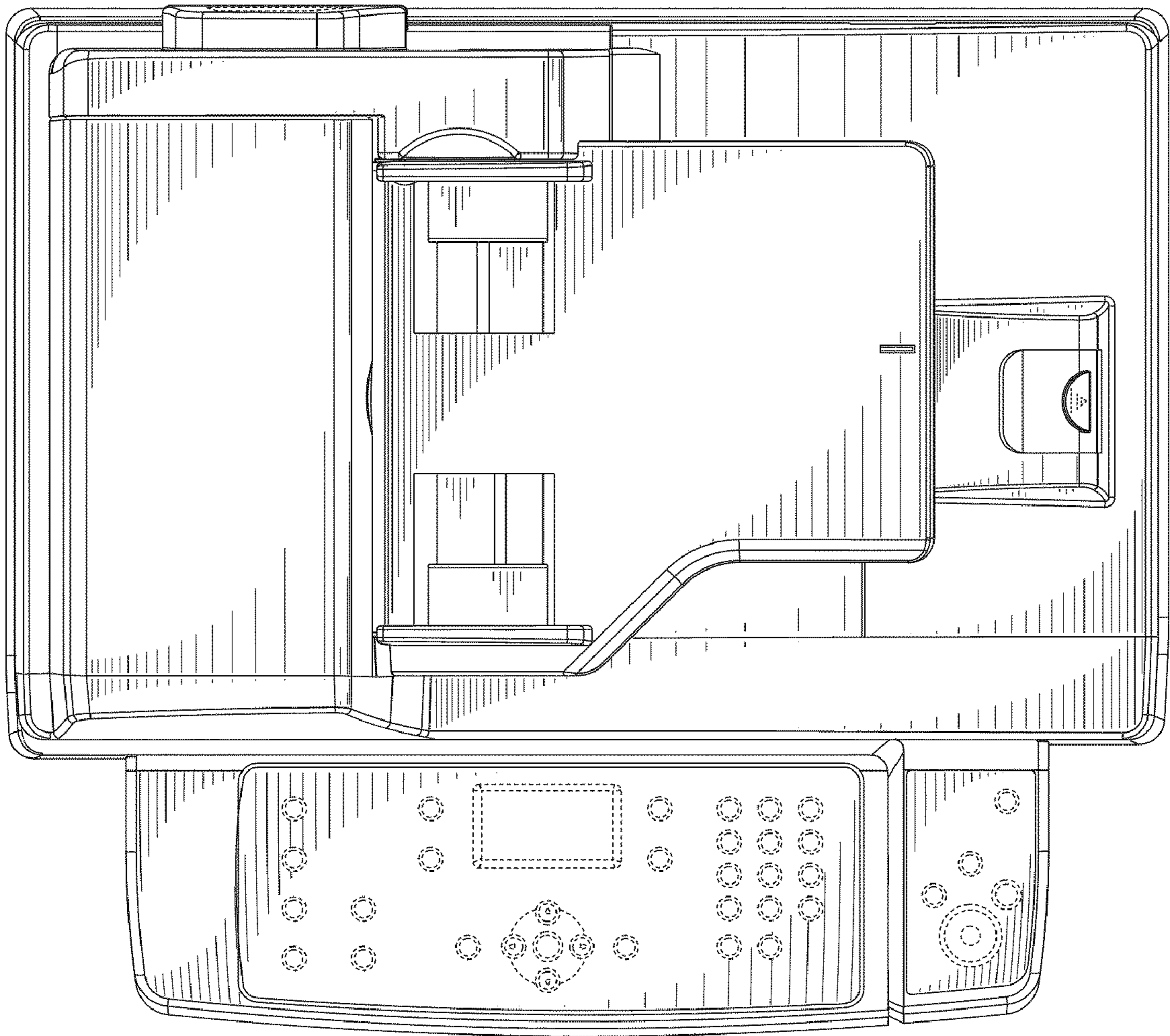


FIG. 6

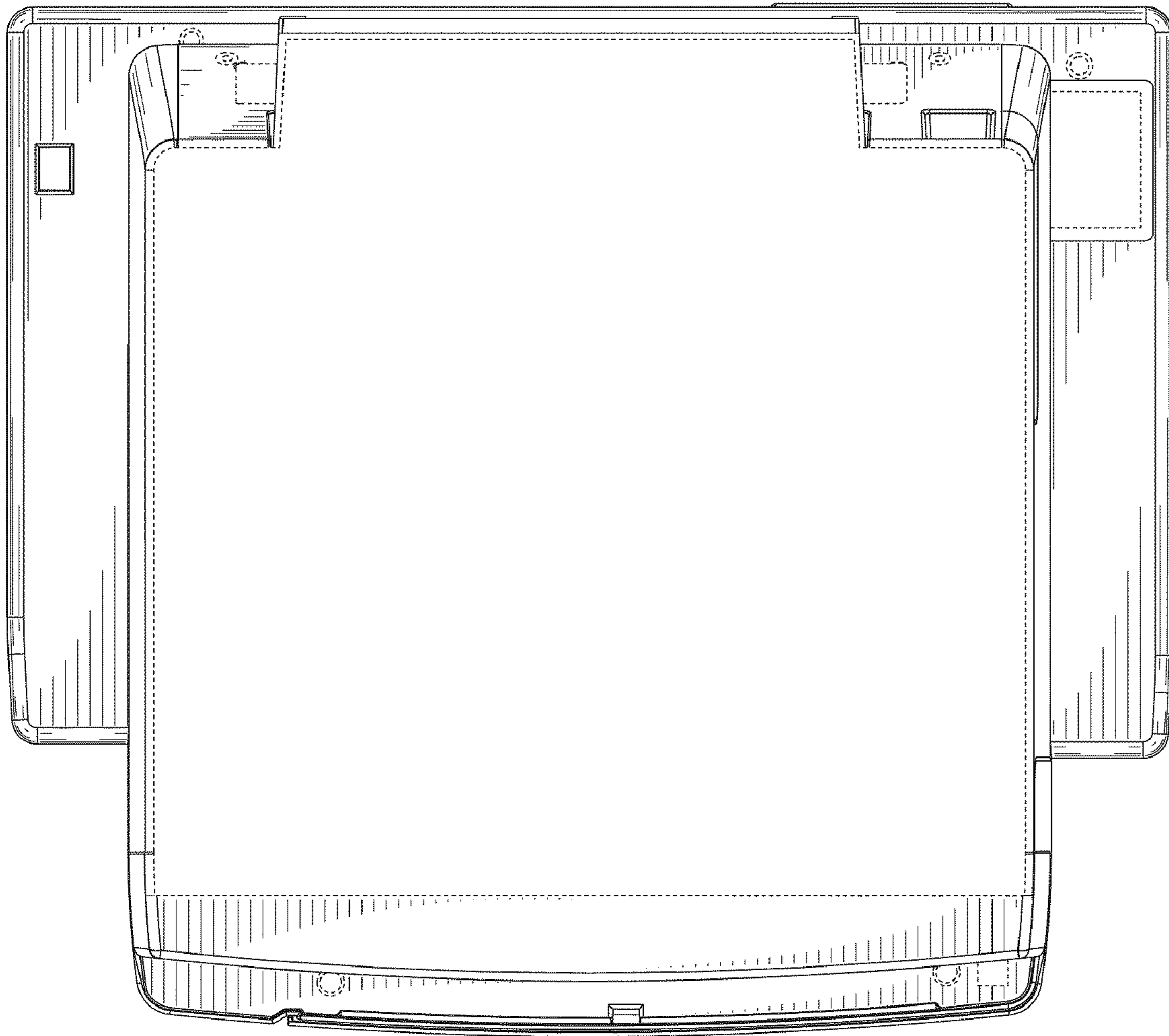


FIG. 7