



US00D639850S

(12) **United States Design Patent**
Iwai et al.

(10) **Patent No.:** **US D639,850 S**
(45) **Date of Patent:** **** Jun. 14, 2011**

(54) **PRINTER**

(75) Inventors: **Nobuyuki Iwai**, Chita-gun (JP);
Masahide Asano, Nagoya (JP);
Tomoyuki Nanno, Nagoya (JP)

(73) Assignee: **Brother Industries, Ltd.**, Nagoya (JP)

(**) Term: **14 Years**

(21) Appl. No.: **29/359,192**

(22) Filed: **Apr. 7, 2010**

(30) **Foreign Application Priority Data**

Oct. 15, 2009 (JP) 2009-24252

(51) **LOC (9) Cl.** **14-02**

(52) **U.S. Cl.** **D18/50**

(58) **Field of Classification Search** D18/14,
D18/19, 36-37, 50, 54, 54.1, 55; D14/420-425,
D14/463-470; 400/613, 613.1-613.4, 690.1-690.4,
400/691-694

See application file for complete search history.

(56) **References Cited**

U.S. PATENT DOCUMENTS

D189,895 S * 3/1961 Benson D18/36
D295,853 S * 5/1988 Ooie D18/55

D299,653 S * 1/1989 Kosako et al. D18/36
D343,415 S * 1/1994 Nakazato et al. D18/55
D351,189 S * 10/1994 Yamaguchi et al. D18/55
D369,825 S * 5/1996 Yatabe et al. D18/50
D448,796 S * 10/2001 Clark et al. D18/55
D547,369 S * 7/2007 Senda et al. D18/50
D561,822 S * 2/2008 Tatara et al. D18/50
D562,379 S * 2/2008 Tatara et al. D18/50

* cited by examiner

Primary Examiner — Cathy Anne MacCormac

(74) *Attorney, Agent, or Firm* — Oliff & Berridge, PLC

(57) **CLAIM**

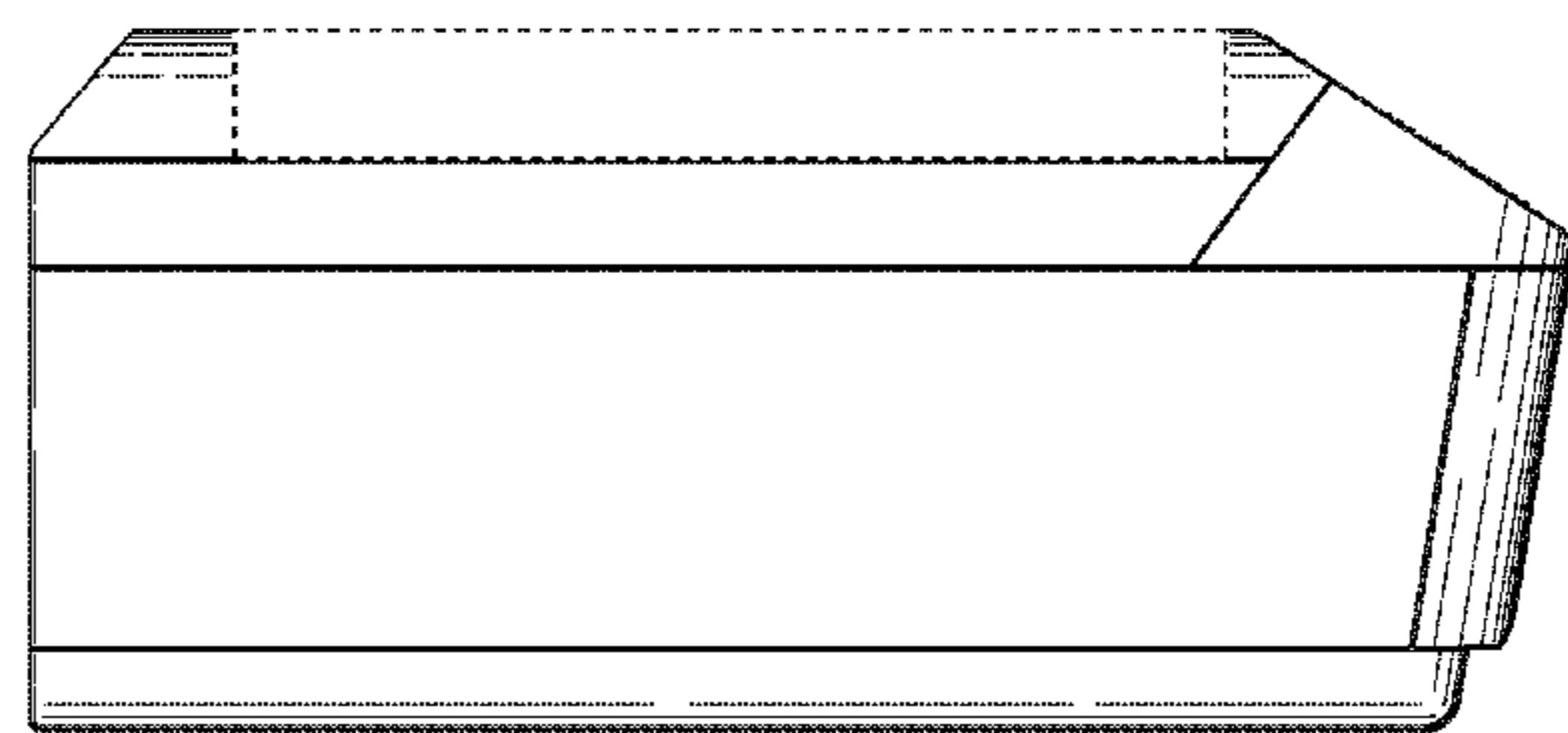
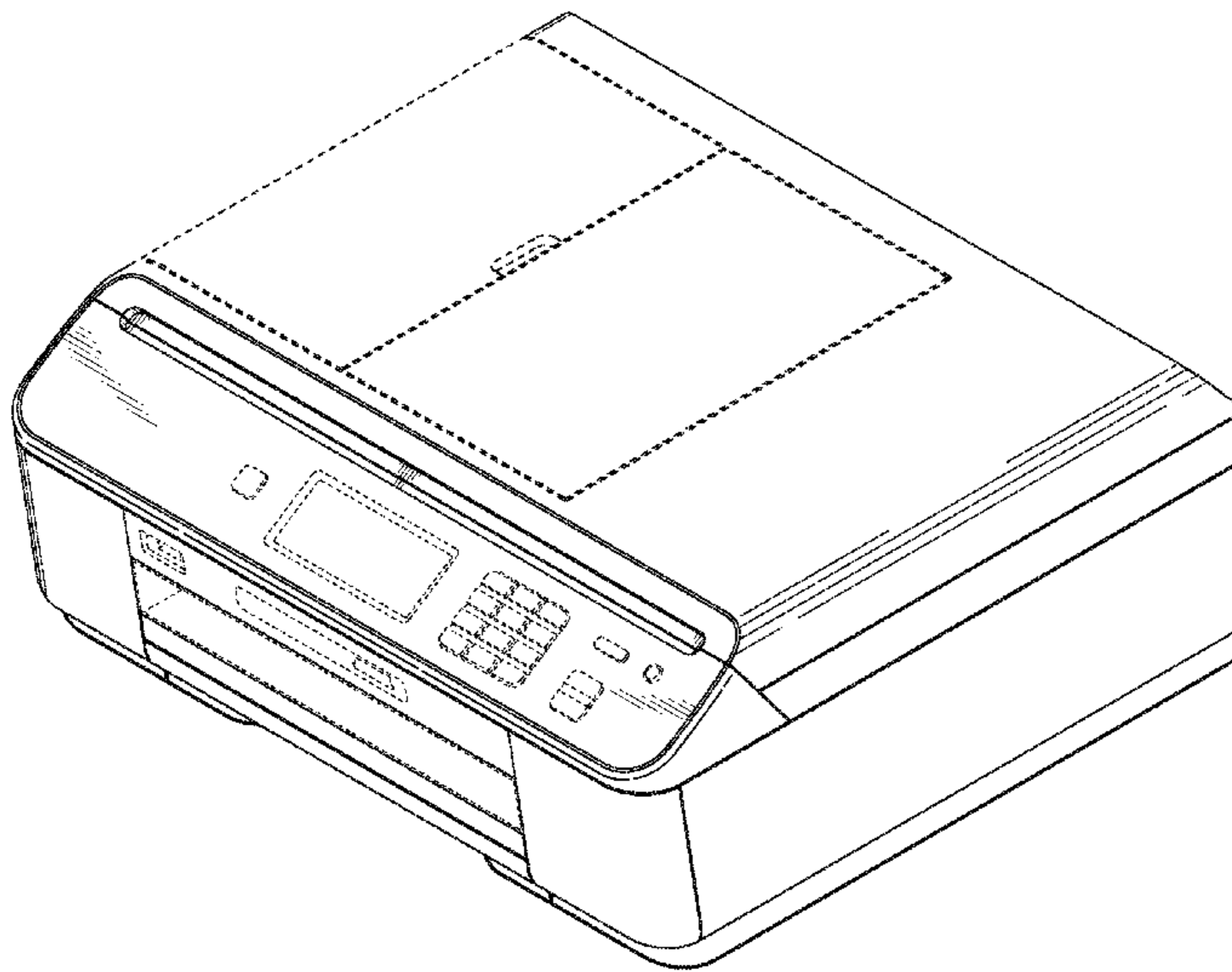
The ornamental design for a printer, as shown and described.

DESCRIPTION

FIG. 1 is a perspective view of a printer;
FIG. 2 is a front view thereof;
FIG. 3 is a top view thereof;
FIG. 4 is a right-side view thereof;
FIG. 5 is a left-side view thereof;
FIG. 6 is a rear view thereof; and,
FIG. 7 is a bottom view thereof.

The broken lines depict environmental subject matter only and form no part of the claimed design.

1 Claim, 6 Drawing Sheets



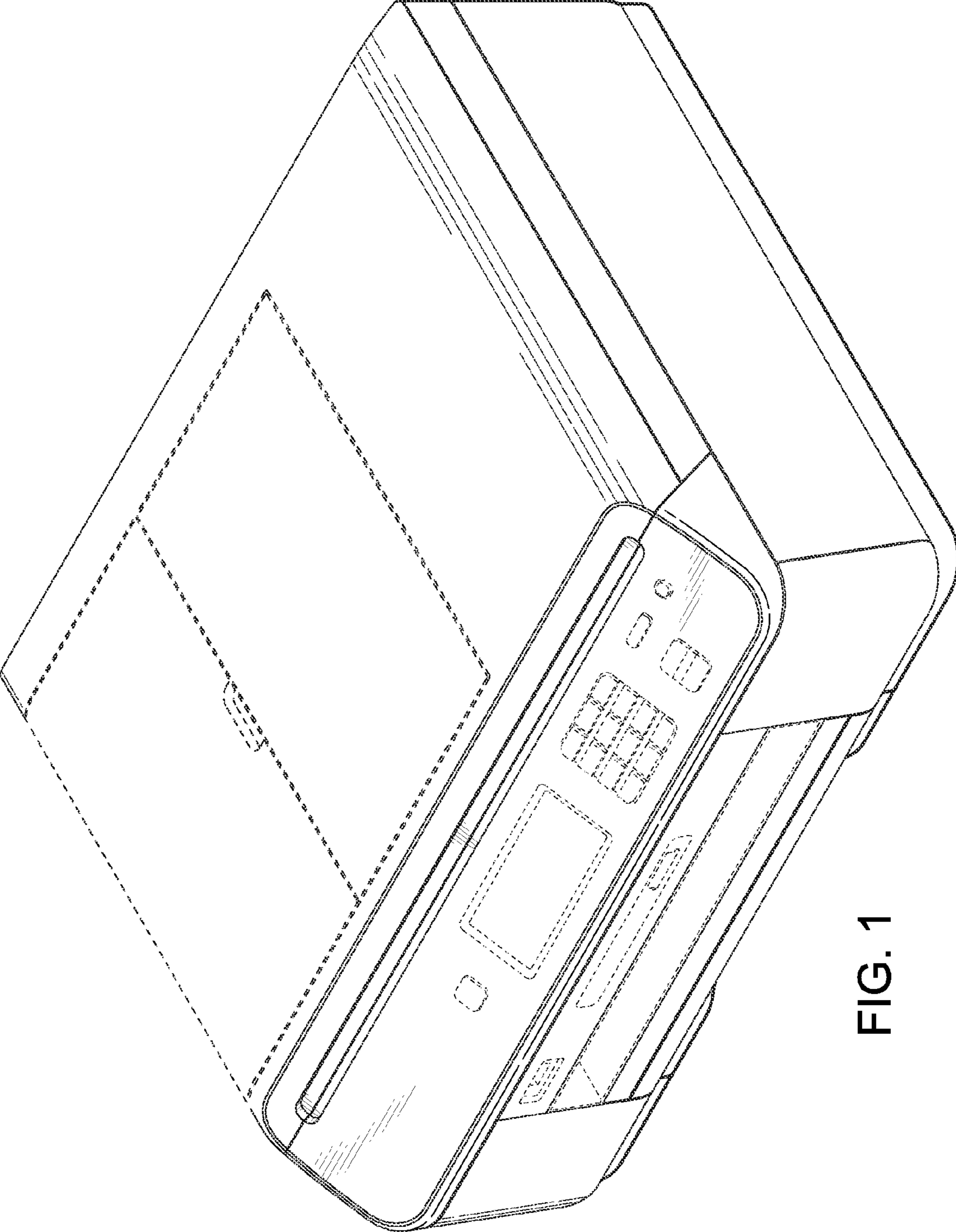


FIG. 1

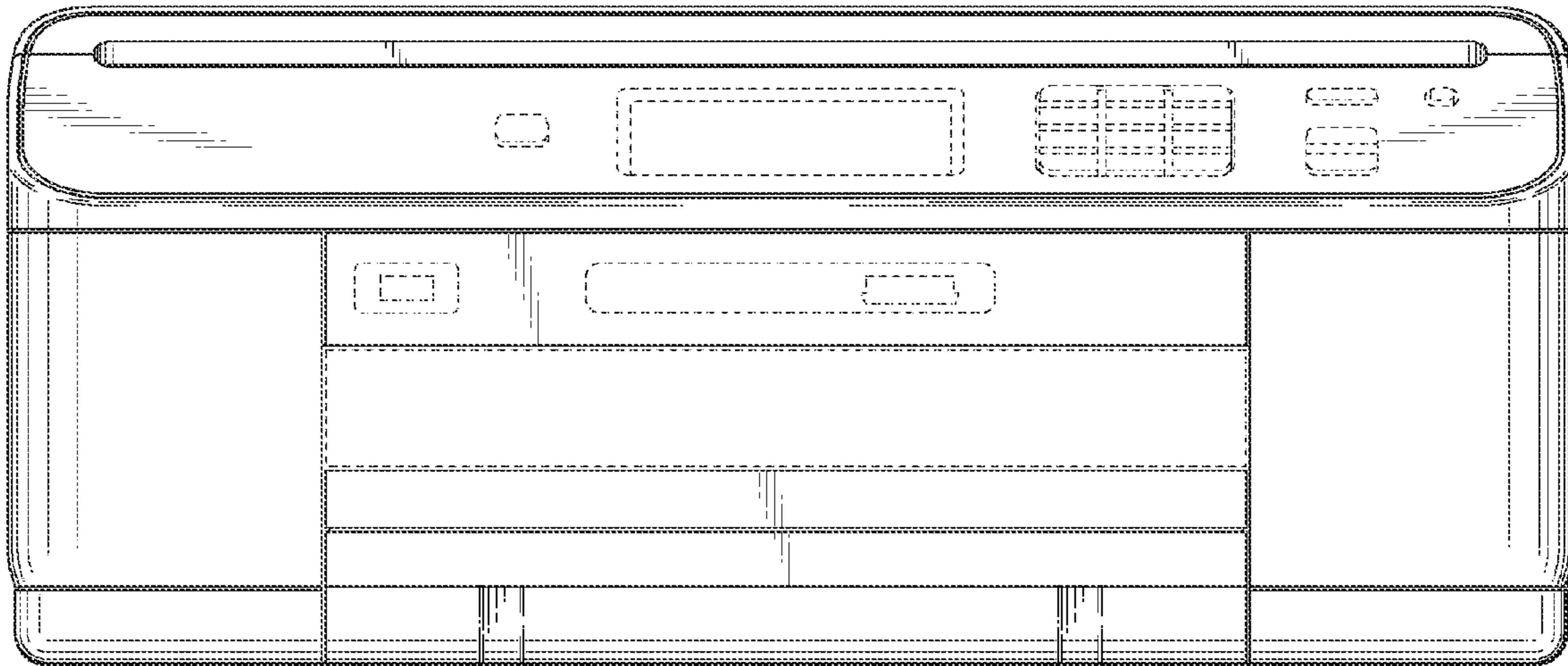


FIG. 2

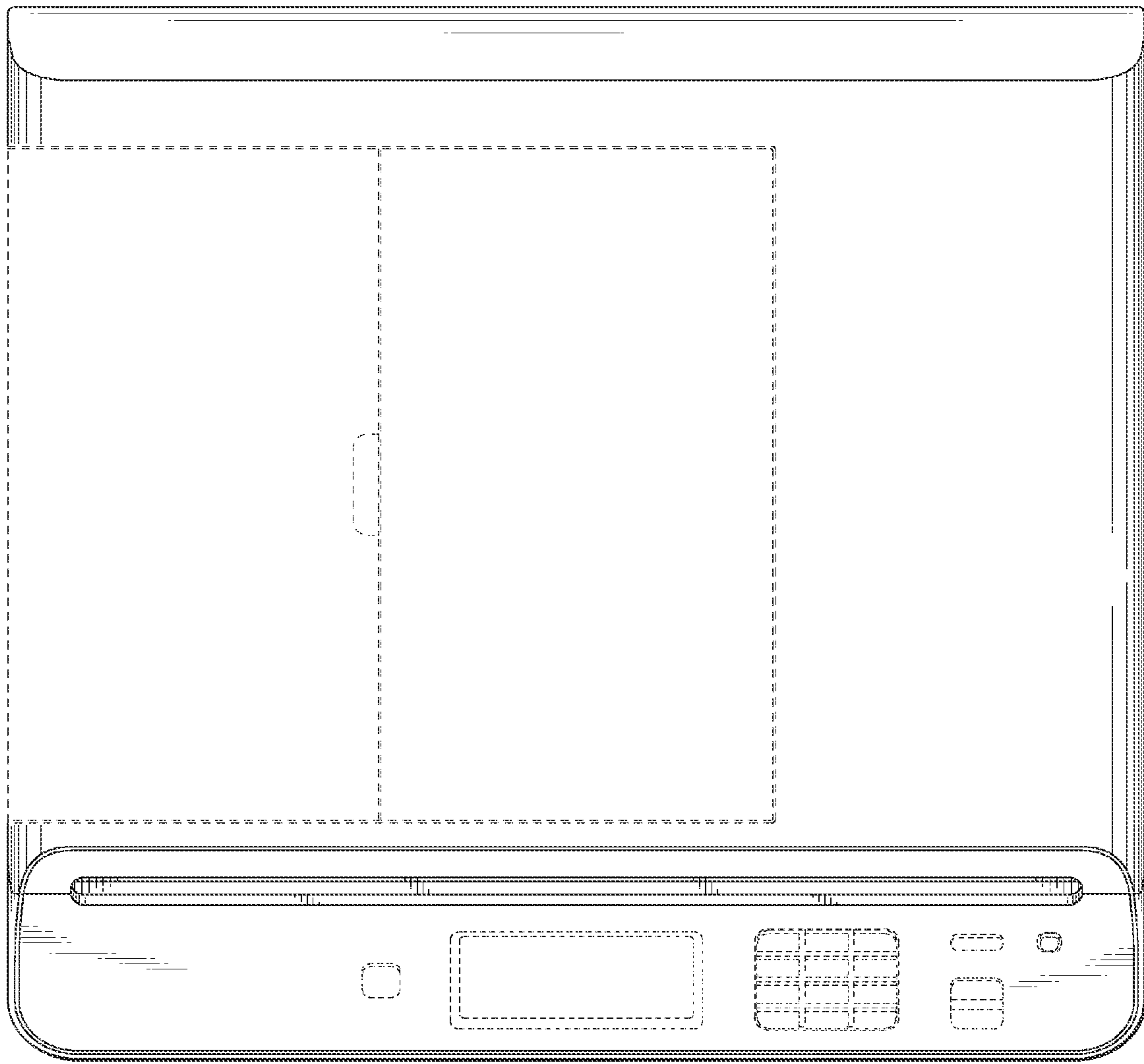


FIG. 3

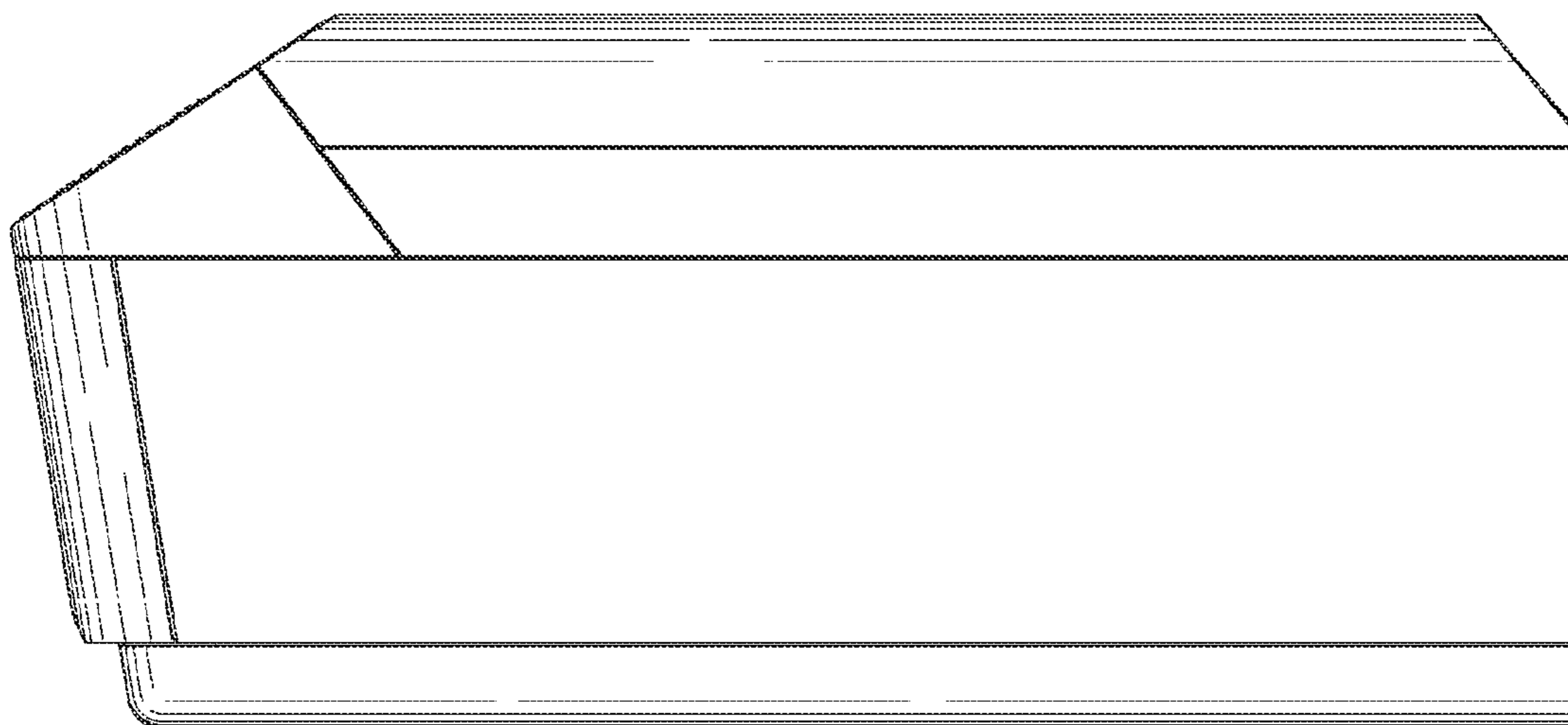


FIG. 4

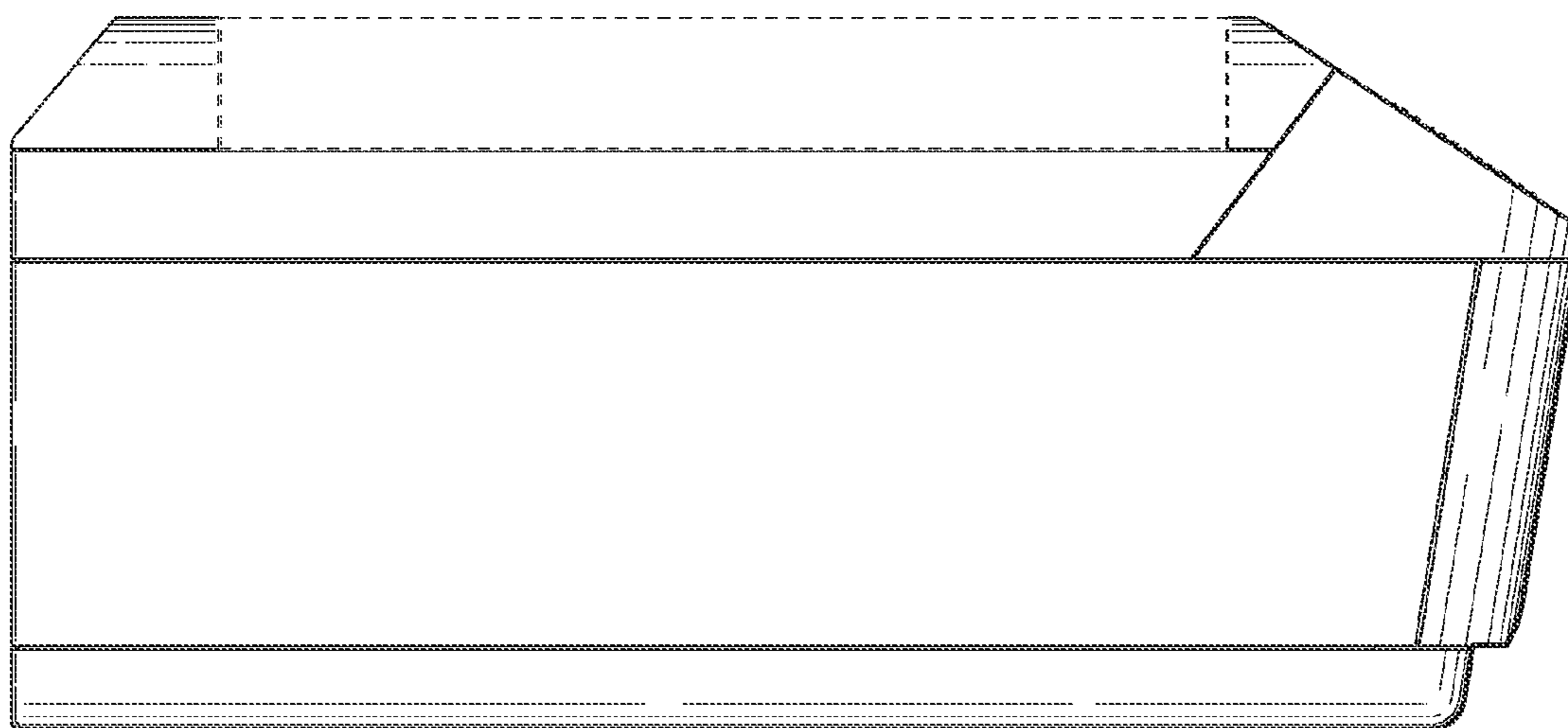


FIG. 5

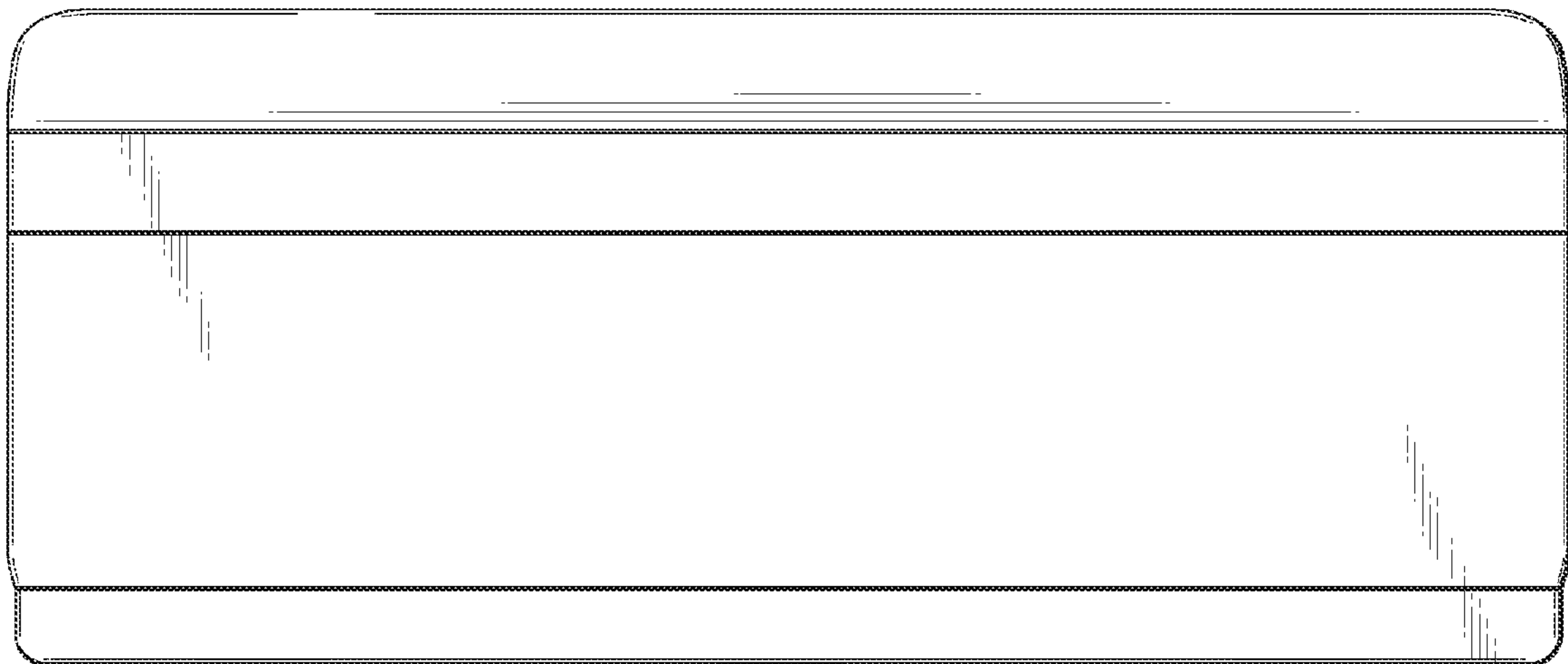


FIG. 6

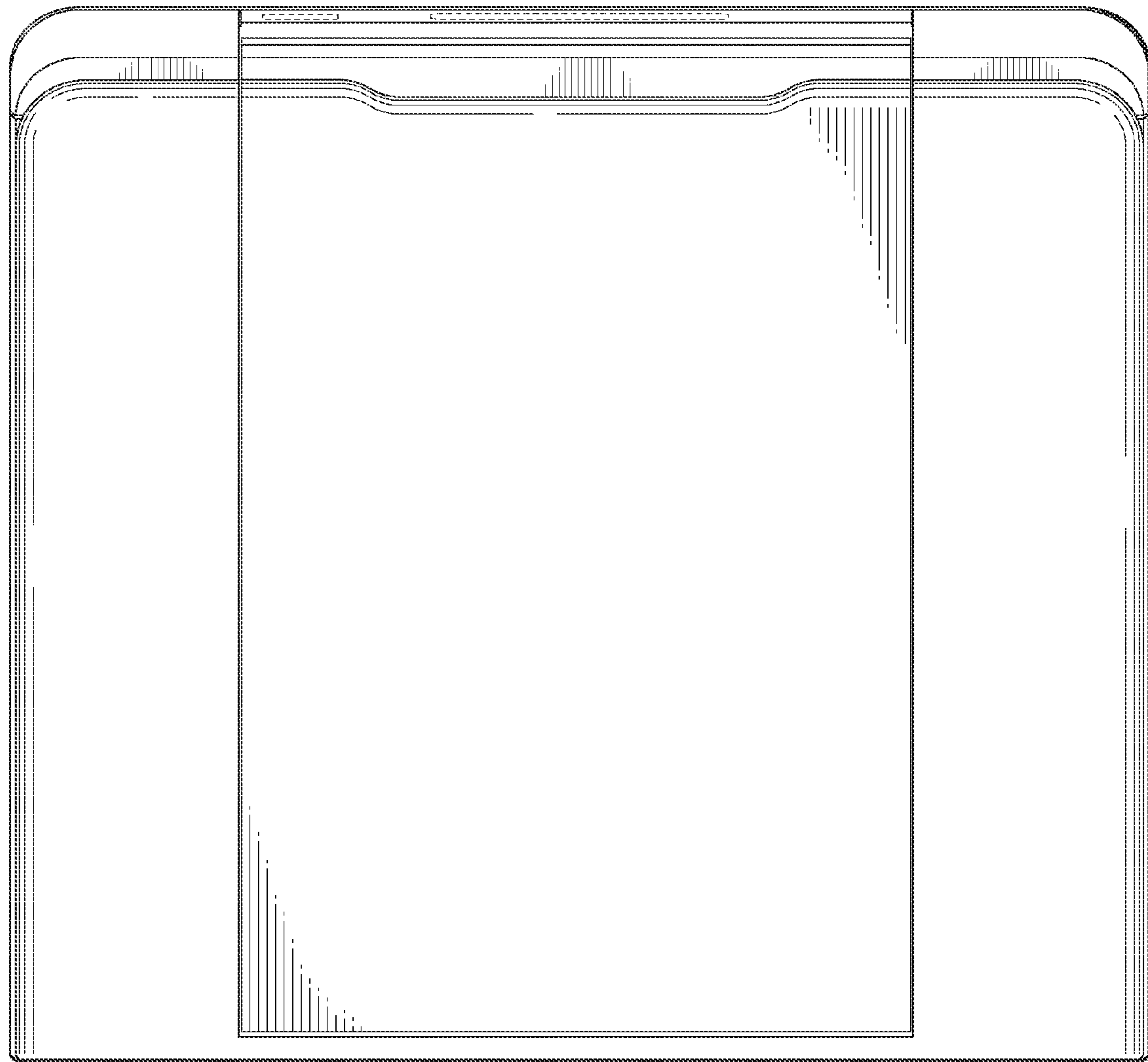


FIG. 7