



US00D639848S

(12) **United States Design Patent**
Sato et al.

(10) **Patent No.:** **US D639,848 S**
(45) **Date of Patent:** **** Jun. 14, 2011**

(54) **PRINTER**

(75) Inventors: **Yukihiko Sato**, Nagoya (JP); **Nobuyuki Iwai**, Chita-gun (JP); **Tomoyuki Nanno**, Nagoya (JP)

(73) Assignee: **Brother Industries, Ltd.**, Nagoya (JP)

(**) Term: **14 Years**

(21) Appl. No.: **29/353,719**

(22) Filed: **Jan. 13, 2010**

(30) **Foreign Application Priority Data**

Jul. 23, 2009 (JP) 2009-016741

(51) **LOC (9) Cl.** **14-02**

(52) **U.S. Cl.** **D18/50**

(58) **Field of Classification Search** D18/14,
D18/19, 36-37, 50, 54, 54.1, 55; D14/420-425,
D14/463-470; 400/613, 613.1-613.4, 690.1-690.4,
400/691-694

See application file for complete search history.

(56) **References Cited**

U.S. PATENT DOCUMENTS

D479,556 S *	9/2003	Hattori et al.	D14/464
D480,732 S	10/2003	Hattori et al.	
D518,092 S *	3/2006	Hattori	D18/55
D536,729 S	2/2007	Hattori	
D553,185 S	10/2007	Hattori	
D553,186 S	10/2007	Hoshiya et al.	
D556,254 S *	11/2007	Yamaguchi et al.	D18/50
D558,263 S	12/2007	Yamaguchi	
D605,691 S	12/2009	Sato	

* cited by examiner

Primary Examiner — Cathy Anne MacCormac

(74) *Attorney, Agent, or Firm* — Oliff & Berridge, PLC

(57) **CLAIM**

The ornamental design for a printer, as shown and described.

DESCRIPTION

FIG. 1 is a perspective view of a printer;

FIG. 2 is a front view thereof;

FIG. 3 is a top view thereof;

FIG. 4 is a left-side view thereof;

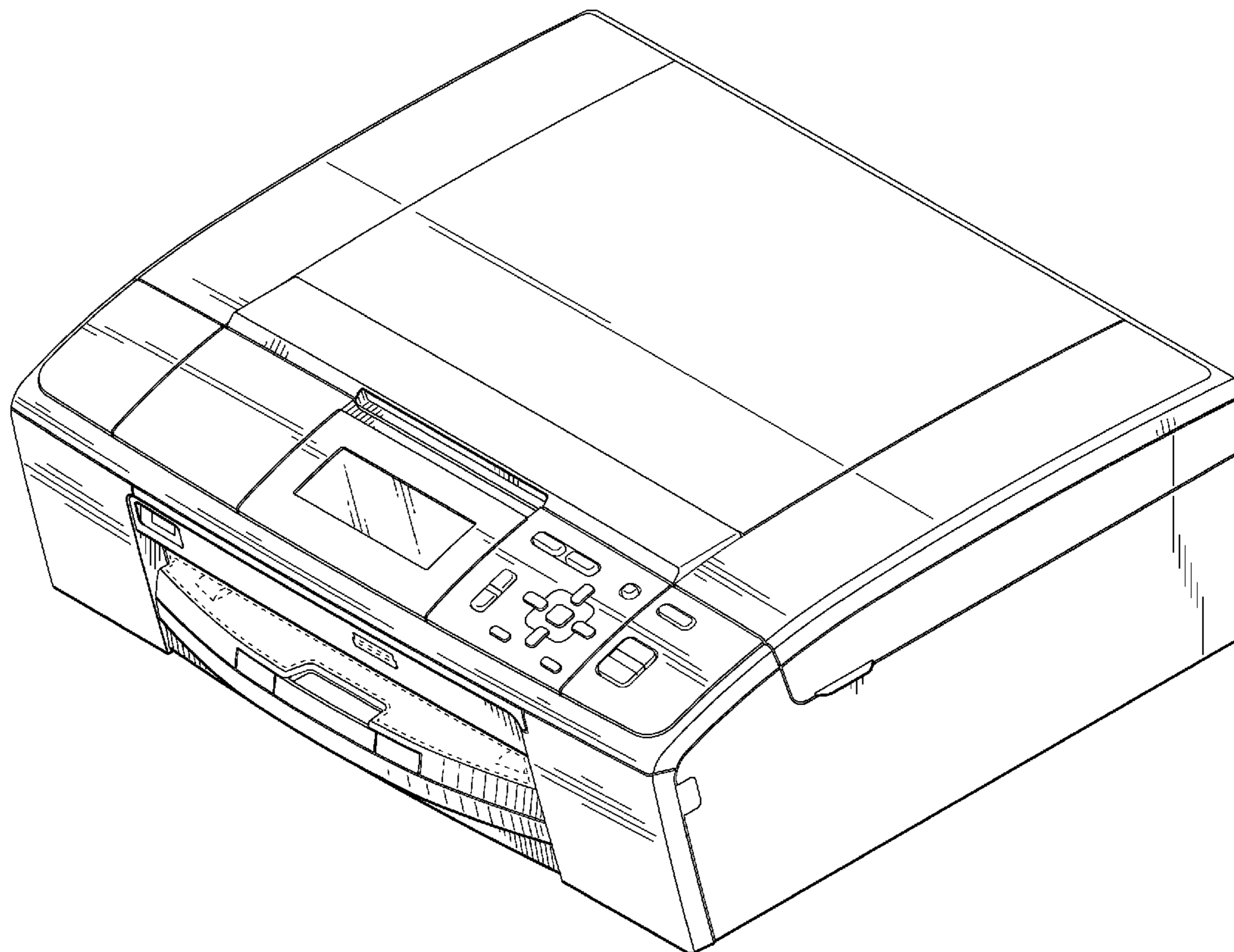
FIG. 5 is a right-side view thereof;

FIG. 6 is a rear view thereof; and,

FIG. 7 is a bottom view thereof.

The broken lines depict environmental subject matter only and form no part of the claimed design.

1 Claim, 7 Drawing Sheets



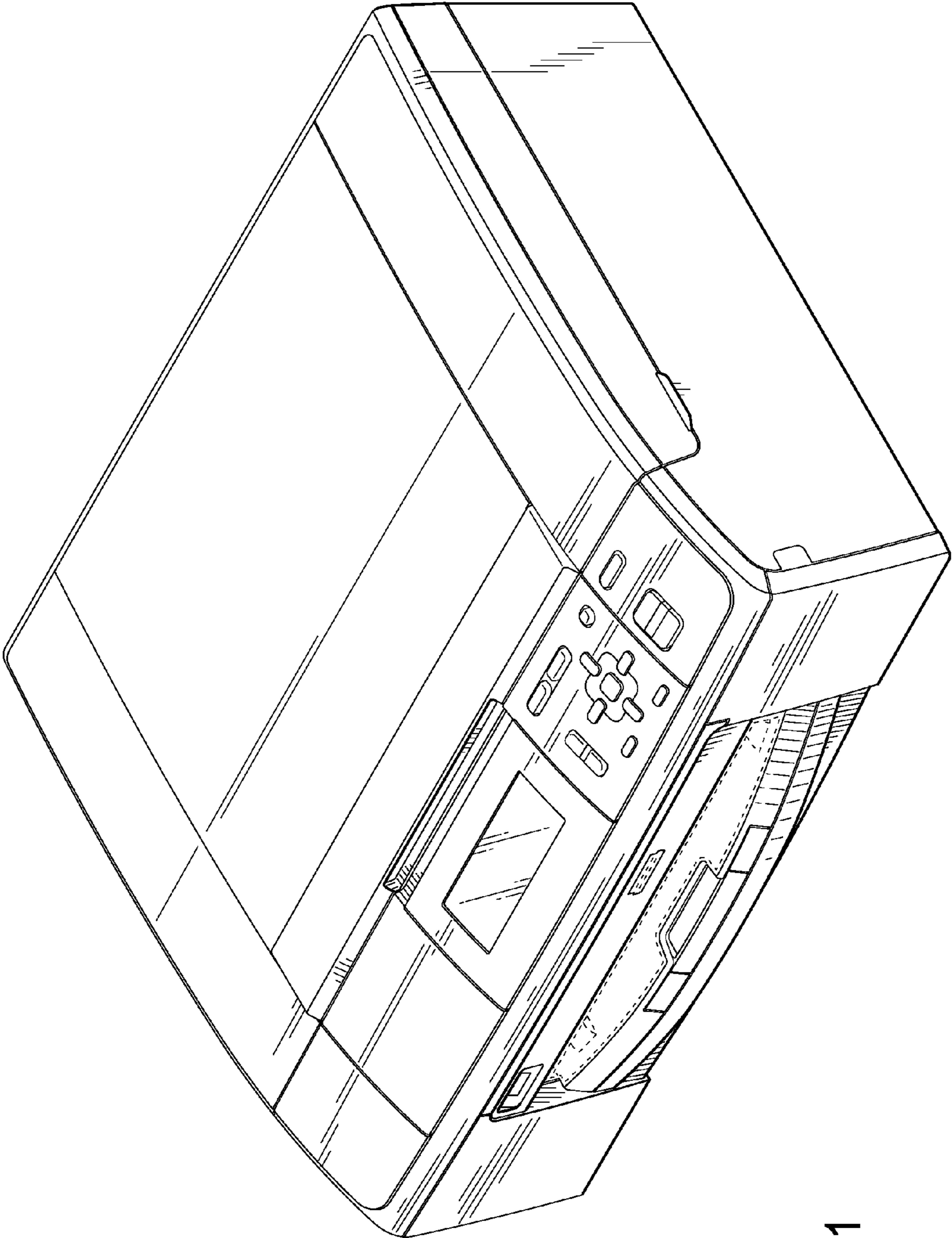


FIG. 1

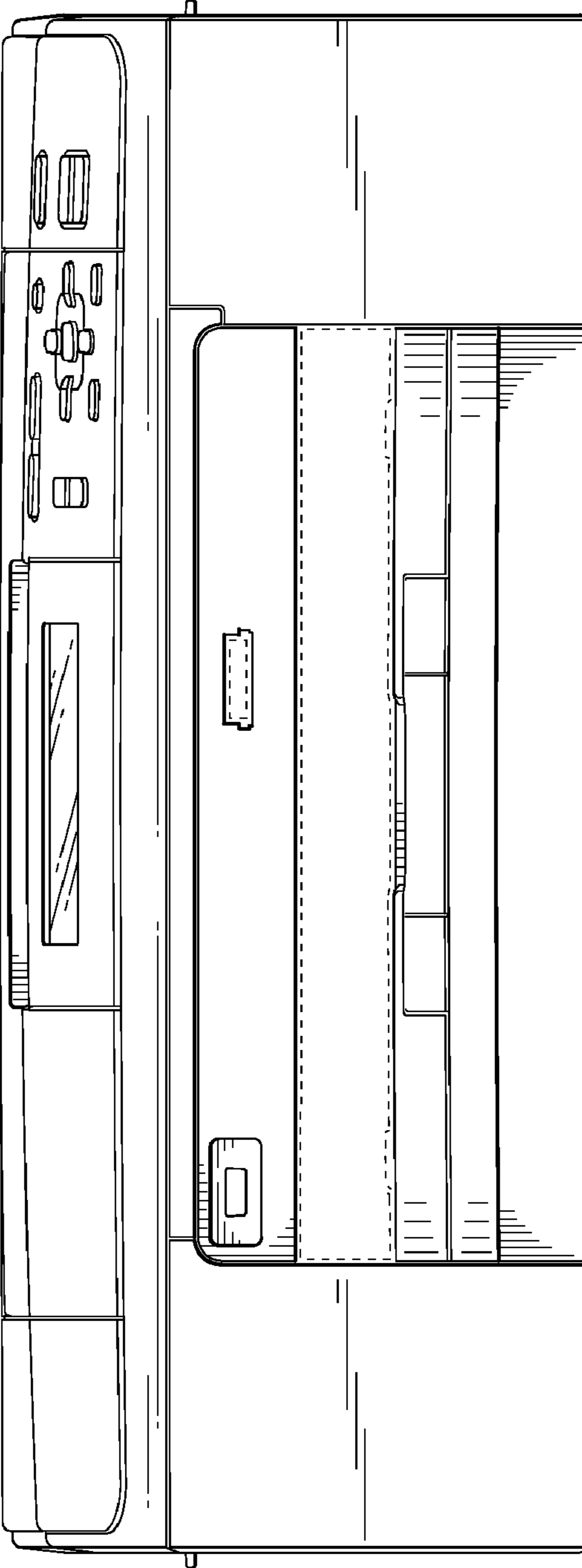


FIG. 2

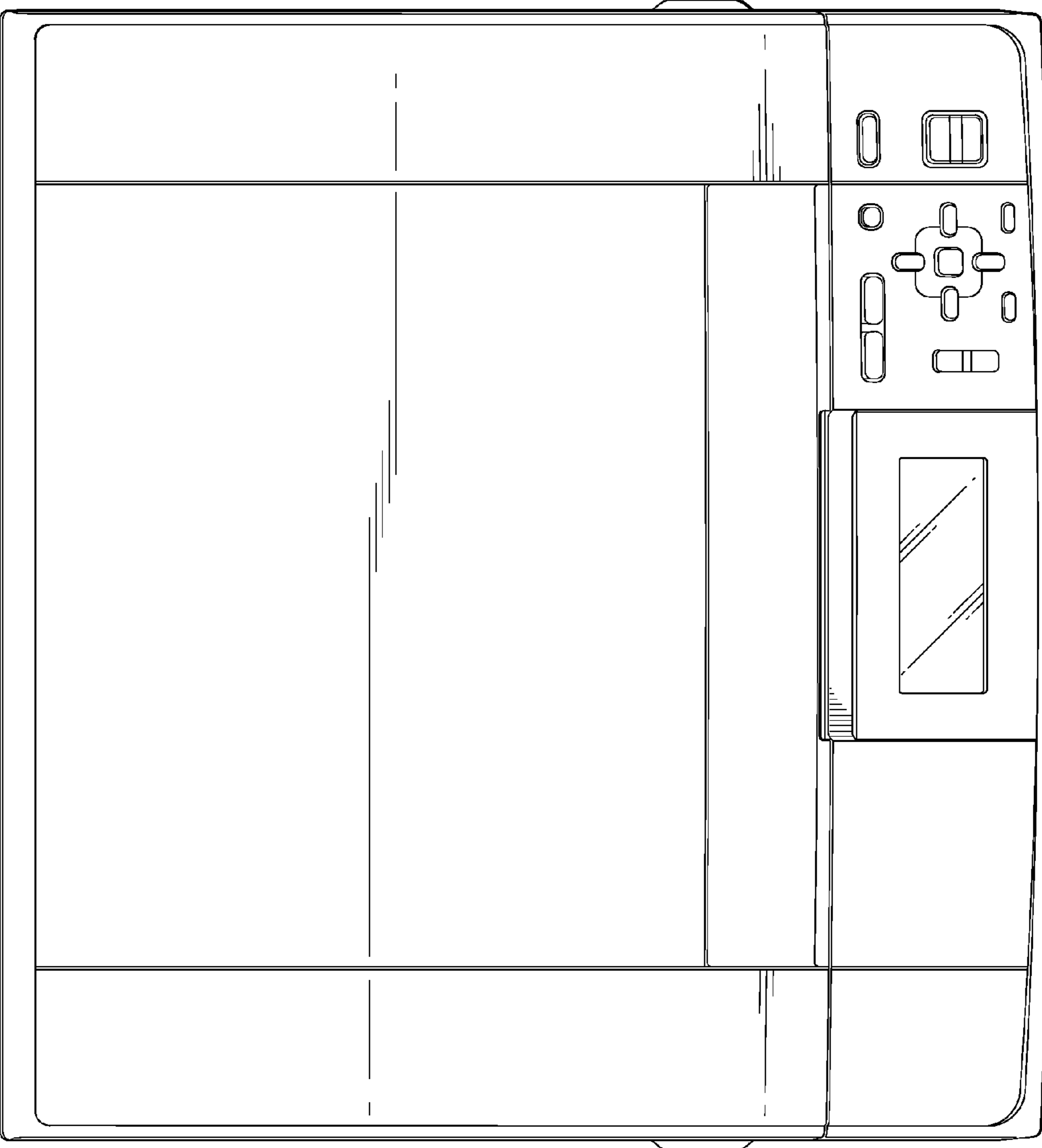


FIG. 3

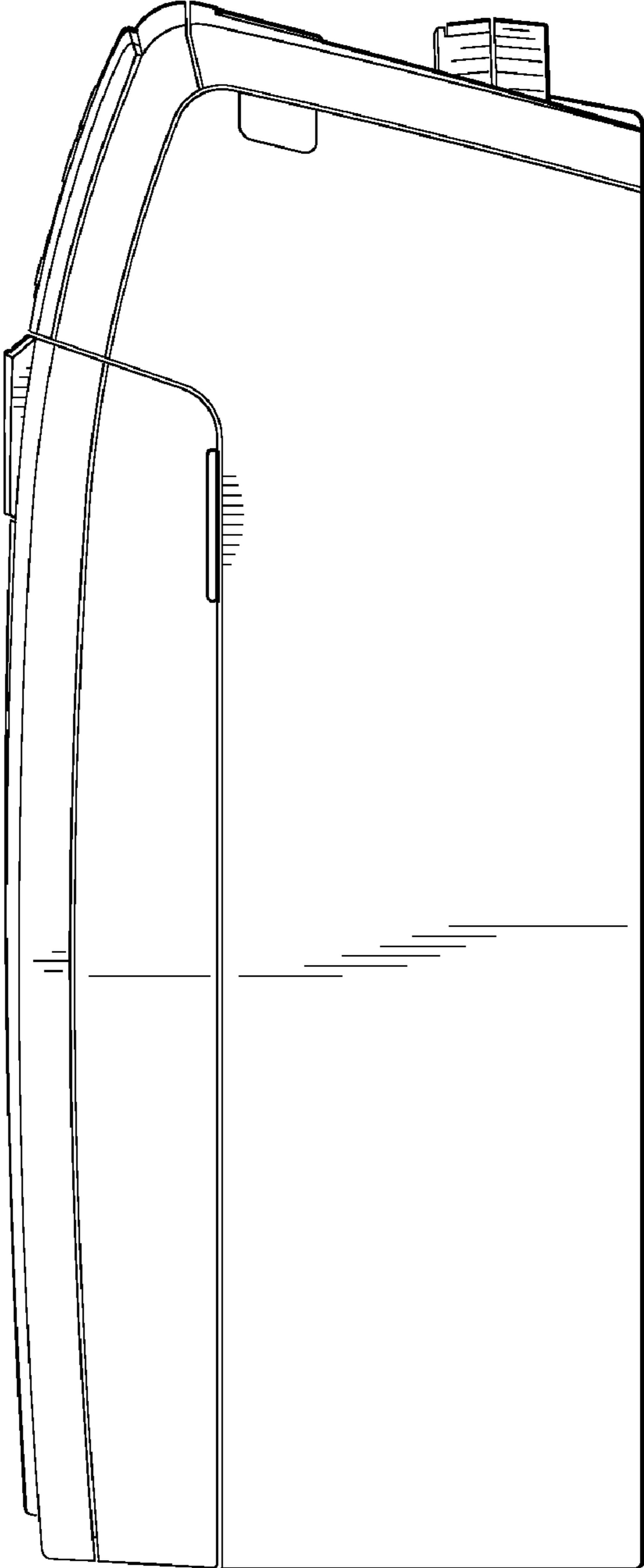


FIG. 4

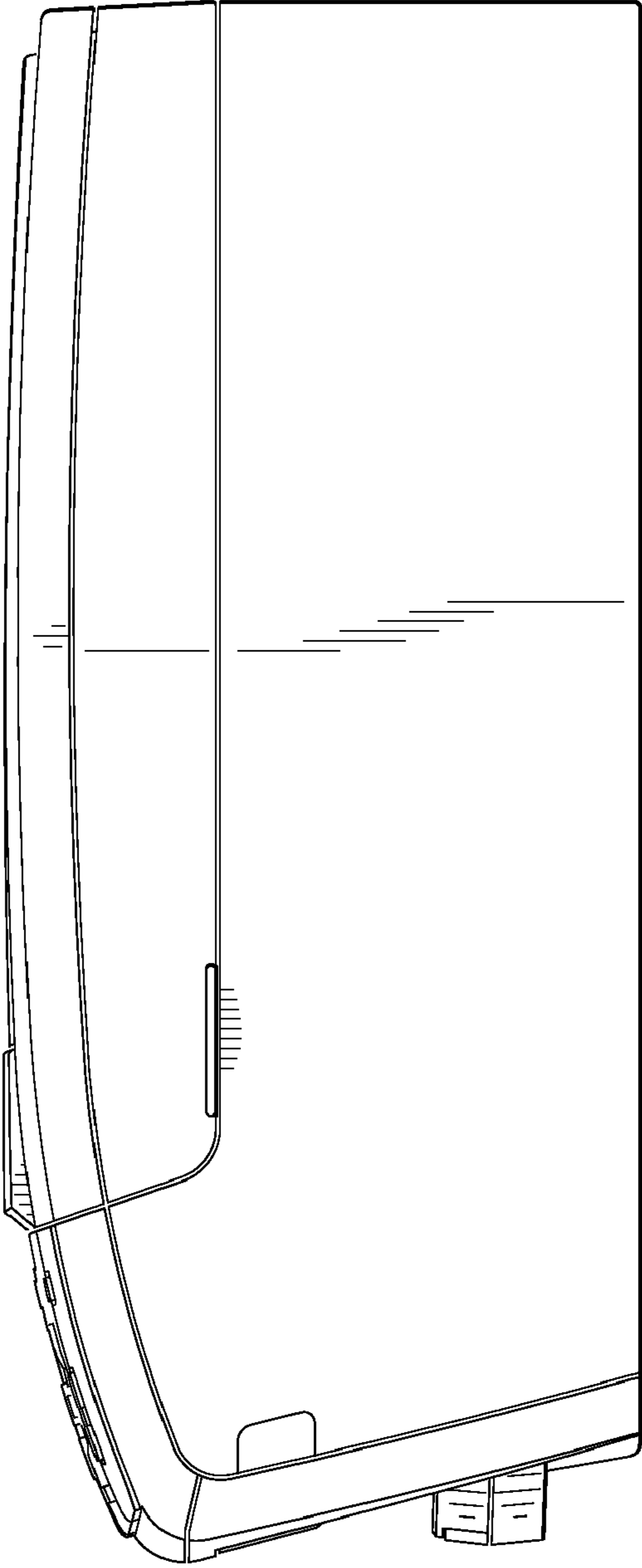


FIG. 5

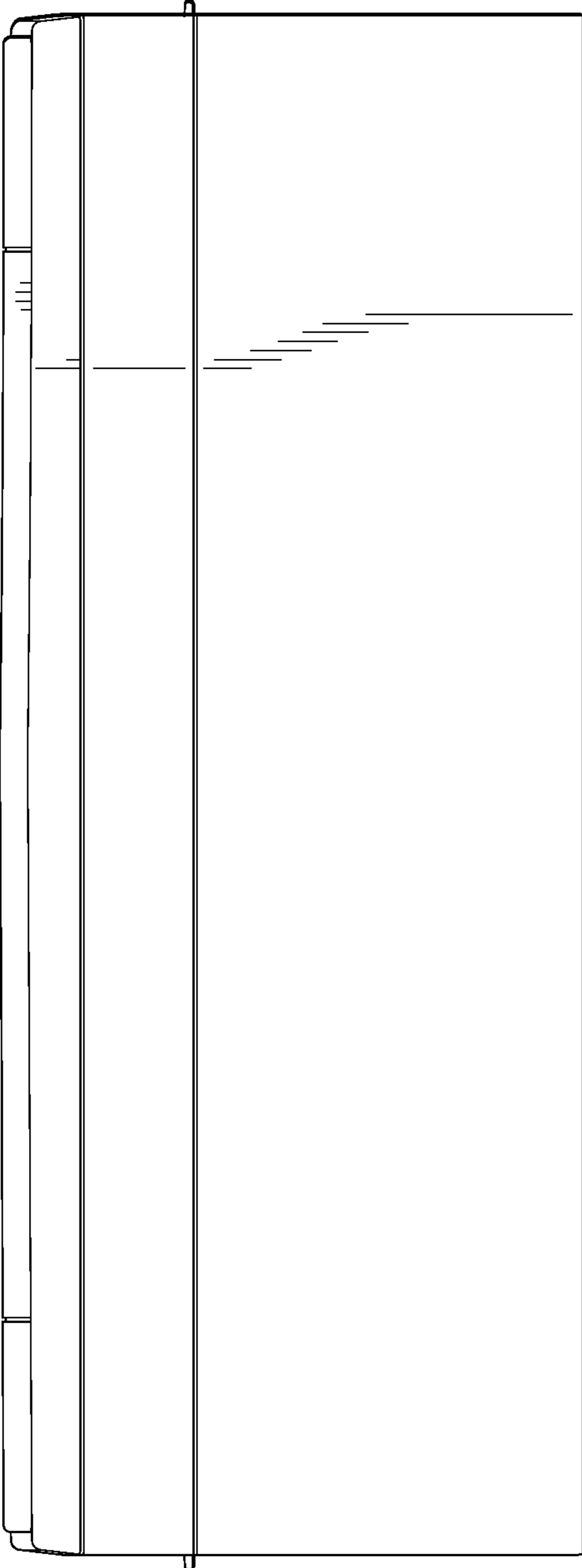


FIG. 6

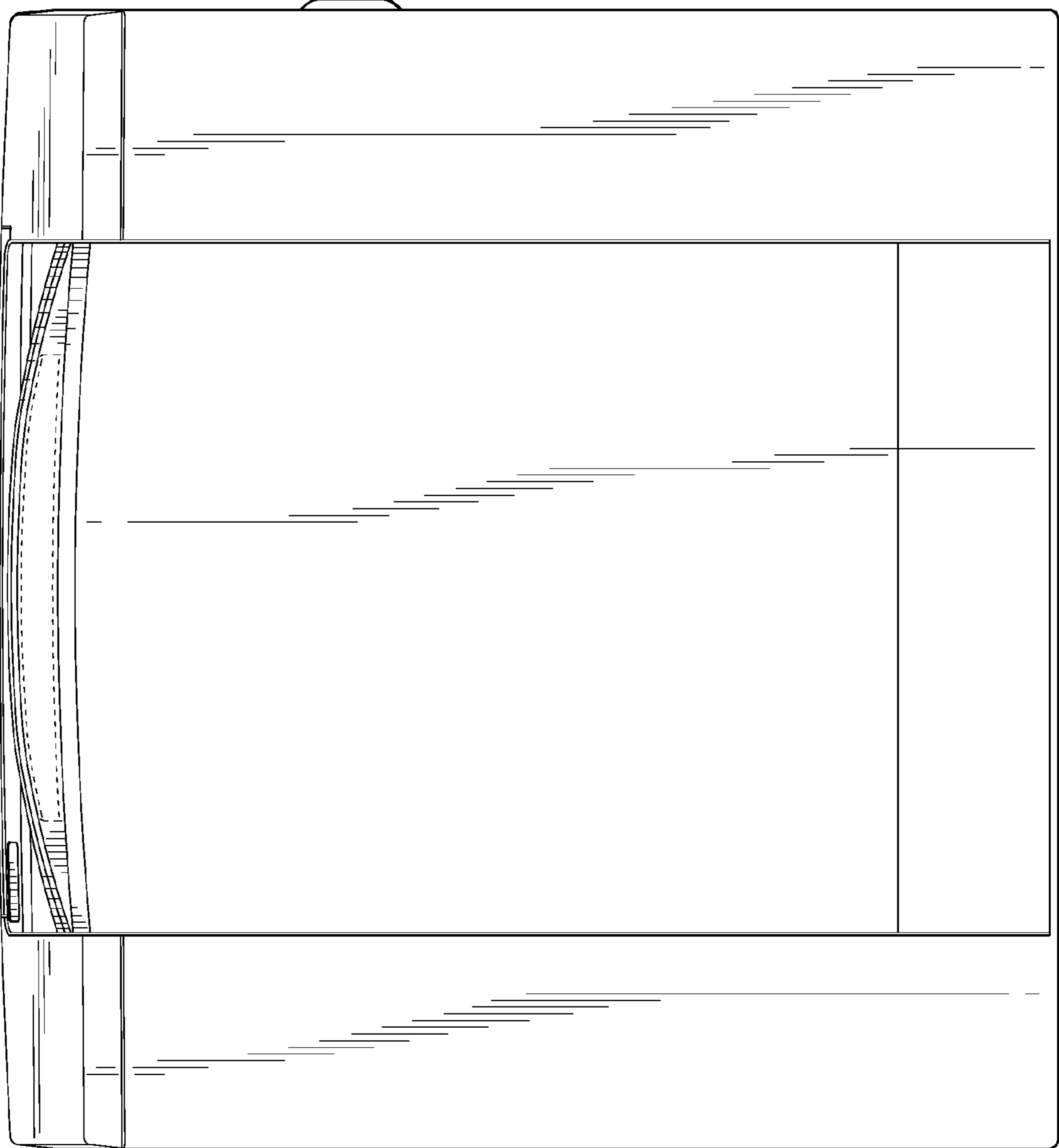


FIG. 7