



US00D639843S

(12) **United States Design Patent**
Zeinoun et al.

(10) **Patent No.:** **US D639,843 S**
(45) **Date of Patent:** **** Jun. 14, 2011**

(54) **VIDEO SURVEILLANCE CAMERA**

(75) Inventors: **Fouad Zeinoun**, Gatineau (CA);
Stephen Brown, Ottawa, CA (US);
Jesse Moon, Ottawa (CA); **Andrea Casati**, Capiago Intimiano (IT)

(73) Assignee: **March Networks Corporation**, Ottawa (CA)

(**) Term: **14 Years**

(21) Appl. No.: **29/376,609**

(22) Filed: **Oct. 8, 2010**

(51) **LOC (9) Cl.** **16-01**

(52) **U.S. Cl.** **D16/203**

(58) **Field of Classification Search** D10/106;
D16/200, 202, 203, 208, 218; 348/143, 373-376;
396/427, 535-541

See application file for complete search history.

(56) **References Cited**

U.S. PATENT DOCUMENTS

D494,992 S * 8/2004 Seo D16/203
D497,927 S * 11/2004 Arbuckle et al. D16/203

D507,804 S * 7/2005 Nagai D16/203
D513,028 S * 12/2005 Maruyama D16/203
D556,236 S * 11/2007 Kim D16/202
D560,244 S * 1/2008 Naruki D16/203
D594,048 S * 6/2009 Yamakawa D16/203
7,661,890 B2 * 2/2010 Basho 396/427
D615,114 S * 5/2010 Arnold et al. D16/203

* cited by examiner

Primary Examiner — Adir Aronovich

(74) *Attorney, Agent, or Firm* — Dennis R. Haszko

(57) **CLAIM**

The ornamental design for a video surveillance camera, as shown and described.

DESCRIPTION

FIG. 1 is a perspective view of the video surveillance camera of the present invention;

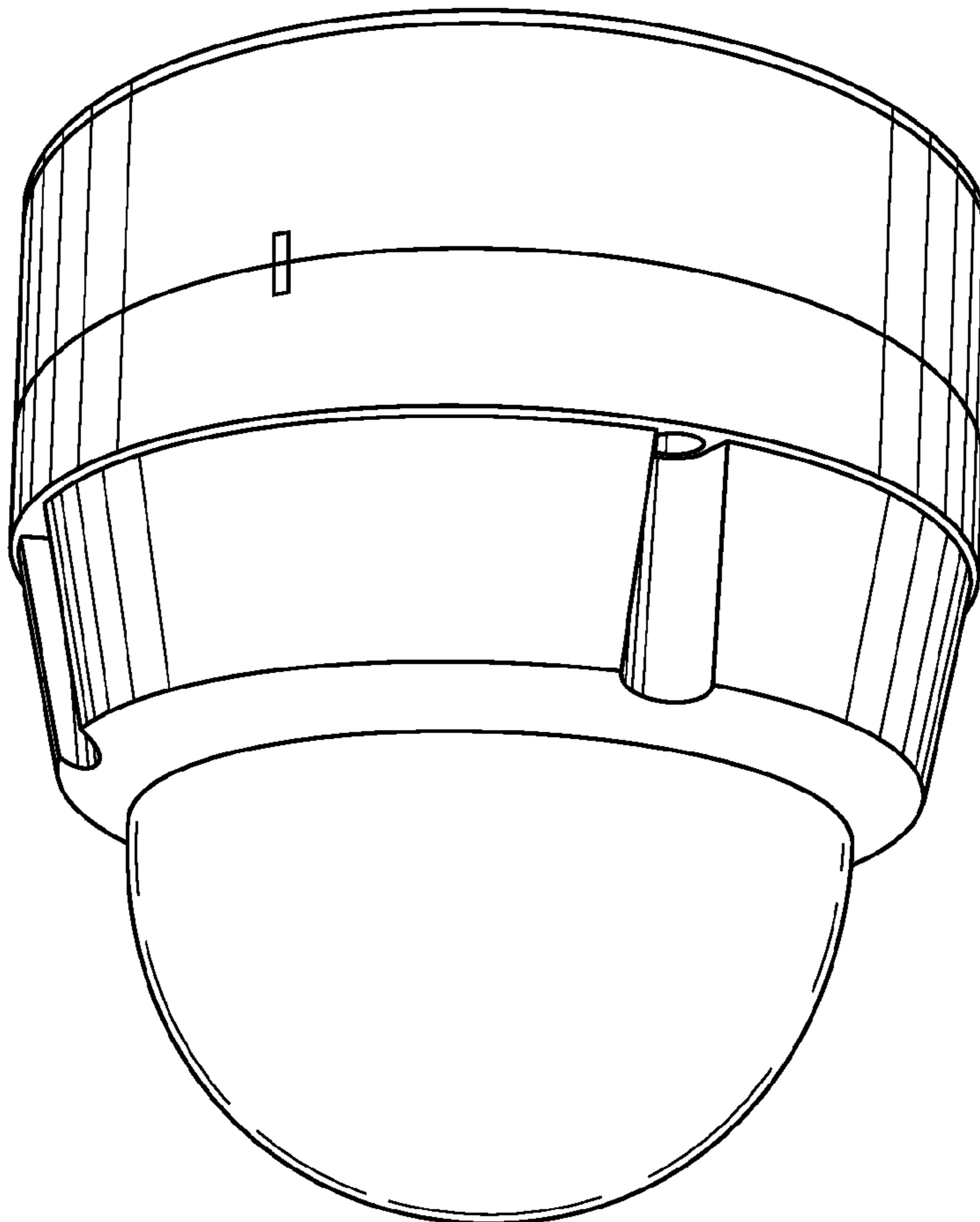
FIG. 2 is a top plan view of the present invention;

FIG. 3 is a front elevational view of the present invention;

FIG. 4 is a left side elevational view the present invention; and,

FIG. 5 is a right side elevational view of the present invention.

1 Claim, 3 Drawing Sheets



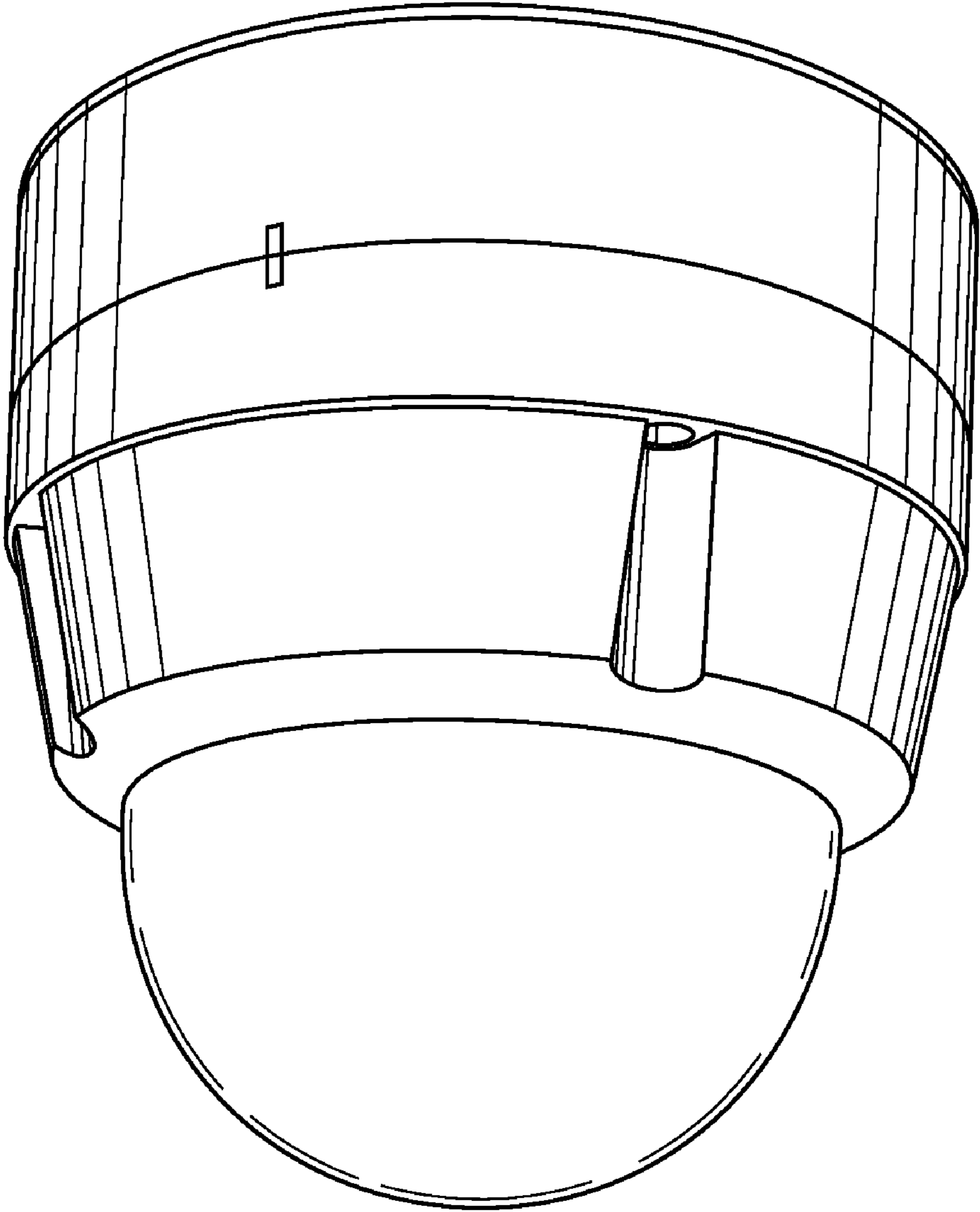


FIG. 1

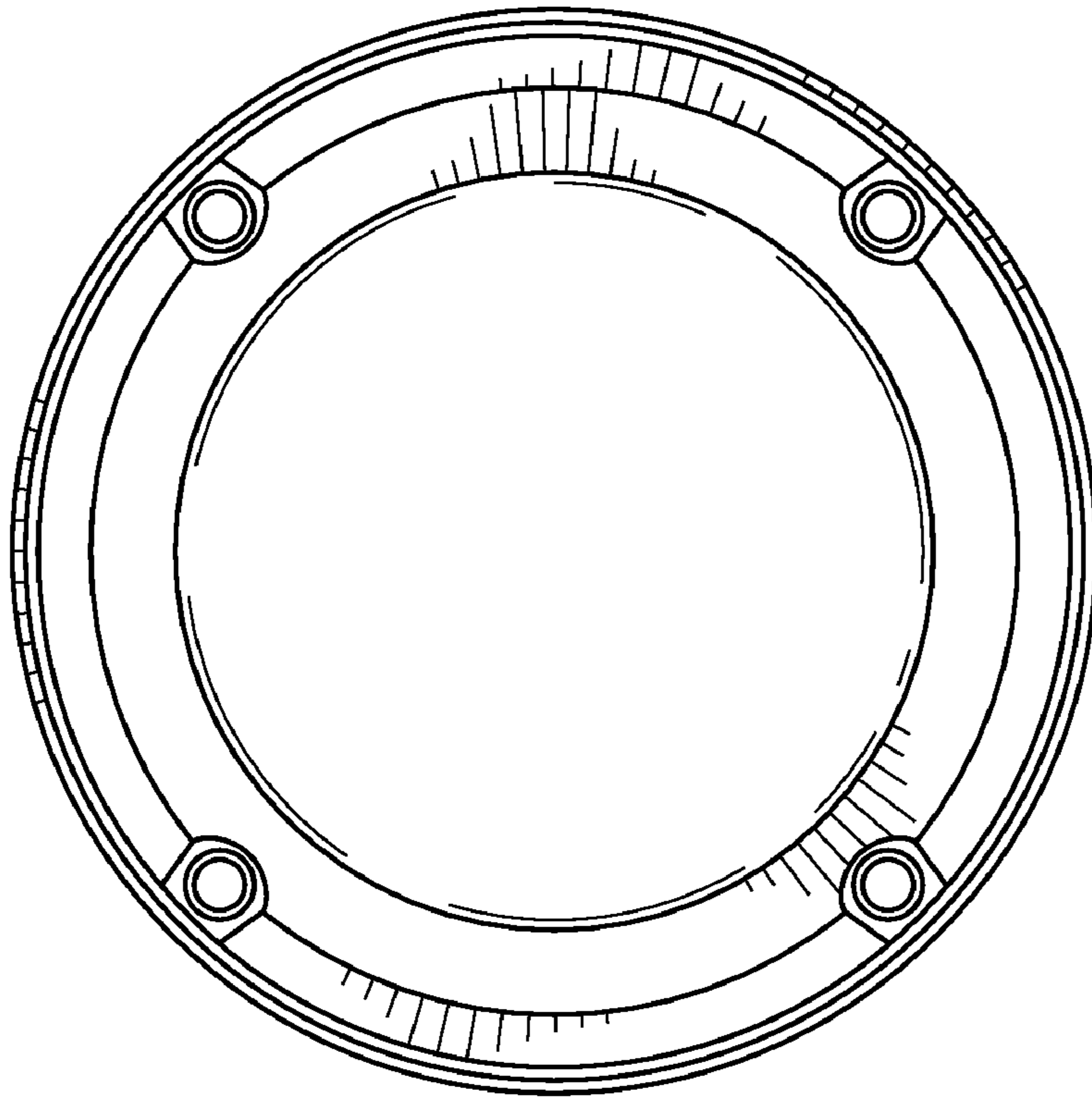


FIG. 2

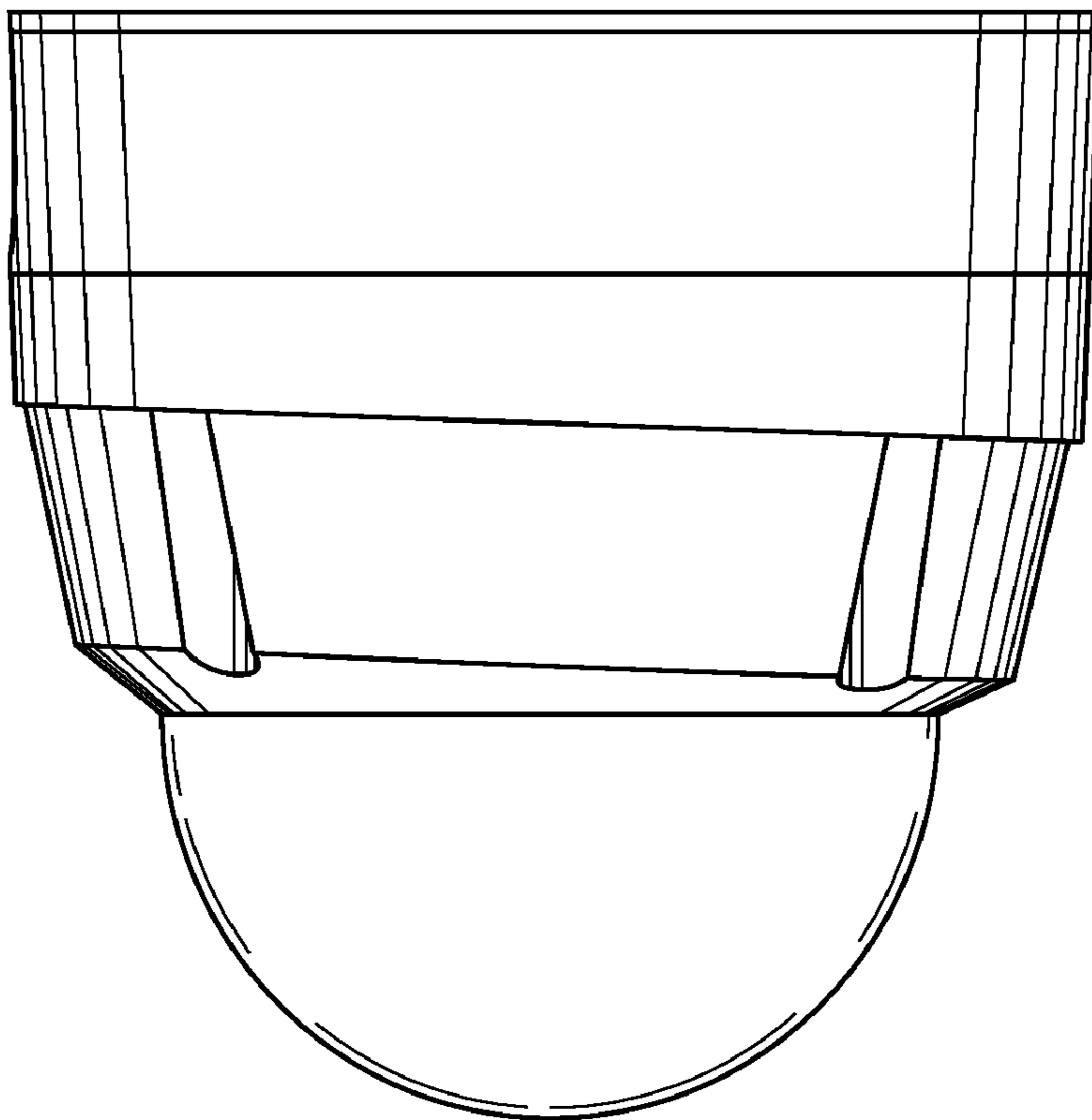


FIG. 3

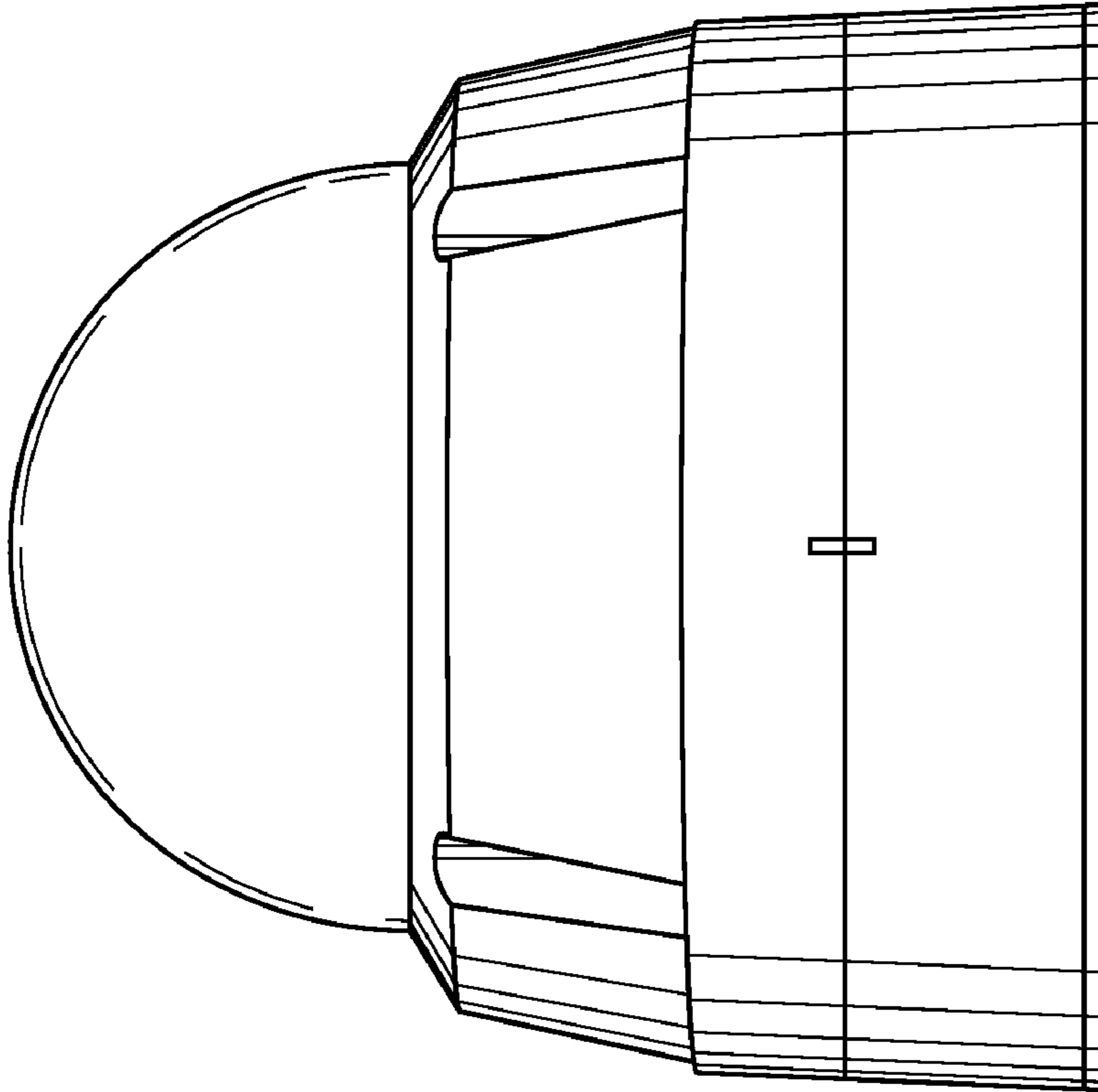


FIG. 4

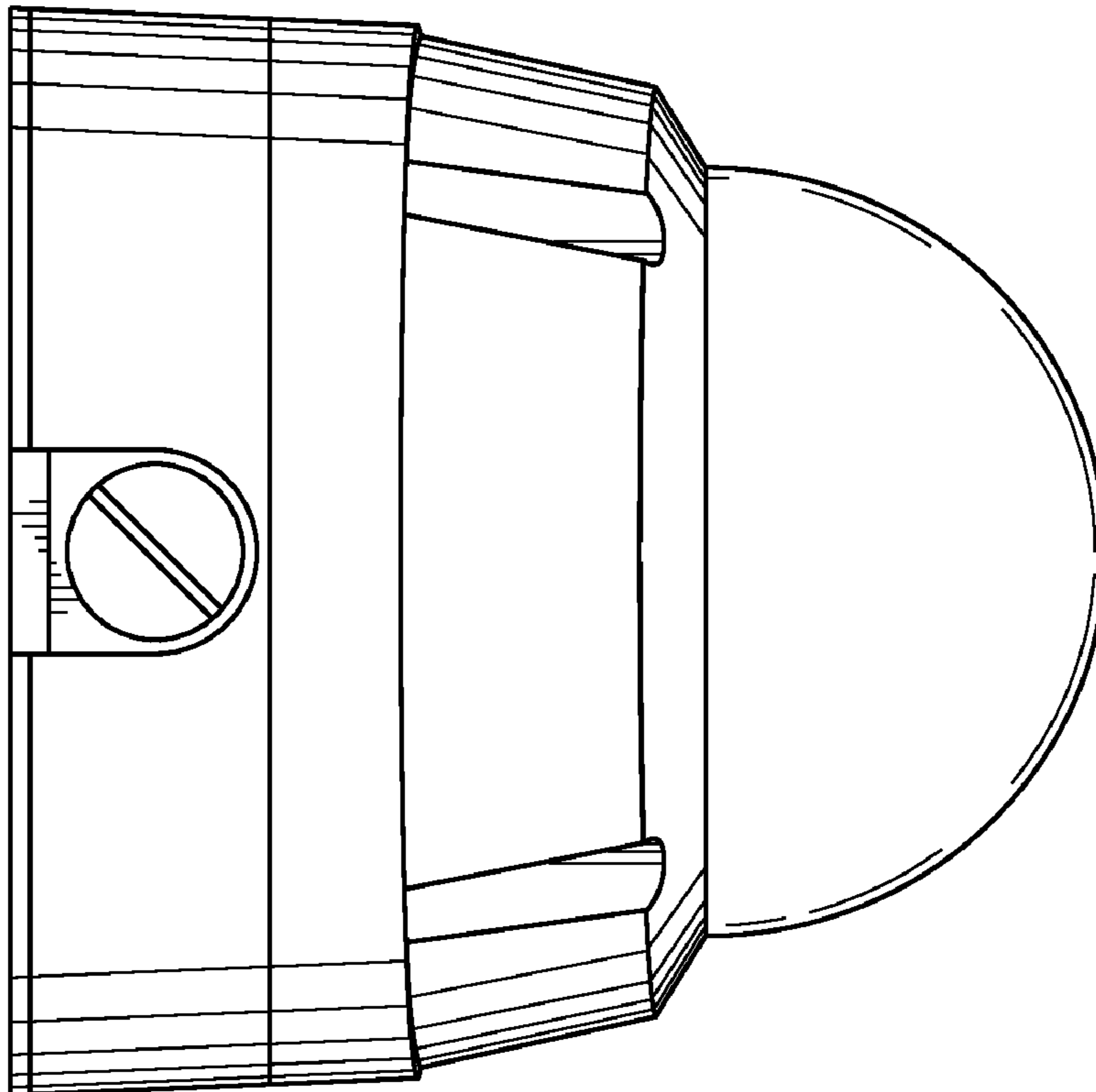


FIG. 5