



US00D639842S

(12) **United States Design Patent**  
**Zeinoun et al.**

(10) **Patent No.:** **US D639,842 S**  
(45) **Date of Patent:** **\*\* Jun. 14, 2011**

(54) **VIDEO SURVEILLANCE CAMERA**

(56) **References Cited**

(75) Inventors: **Fouad Zeinoun**, Gatineau (CA);  
**Stephen Brown**, Ottawa (CA); **Jesse Moon**, Ottawa (CA); **Andrea Casati**,  
Capiago Intimiano (IT)

U.S. PATENT DOCUMENTS

D386,101	S	*	11/1997	Kawabata	.....	D10/106
D416,273	S	*	11/1999	Yamakawa et al.	.....	D16/203
D426,250	S	*	6/2000	Lefkowitz	.....	D16/203
D473,888	S	*	4/2003	Jones et al.	.....	D16/203
D499,125	S	*	11/2004	Adachi et al.	.....	D16/203
D552,501	S	*	10/2007	Lin et al.	.....	D16/203
D610,183	S	*	2/2010	Nohavec et al.	.....	D16/203

(73) Assignee: **March Networks Corporation**, Ottawa (CA)

\* cited by examiner

(\*\*) Term: **14 Years**

*Primary Examiner* — Adir Aronovich

(74) *Attorney, Agent, or Firm* — Dennis R. Haszko

(21) Appl. No.: **29/376,579**

(57) **CLAIM**

The ornamental design for a video surveillance camera, as shown and described.

(22) Filed: **Oct. 8, 2010**

**DESCRIPTION**

(51) **LOC (9) Cl.** ..... **16-01**

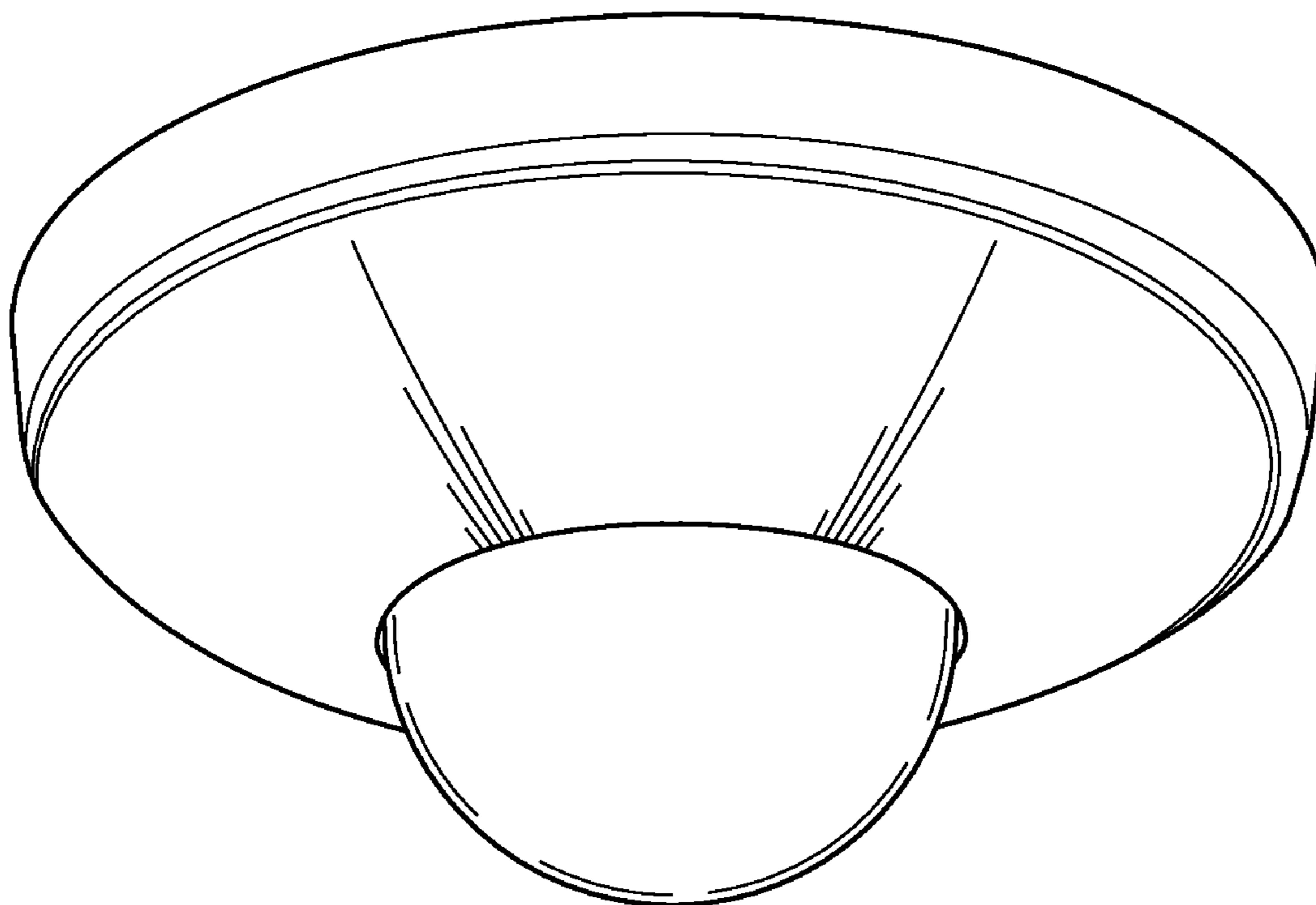
(52) **U.S. Cl.** ..... **D16/203**

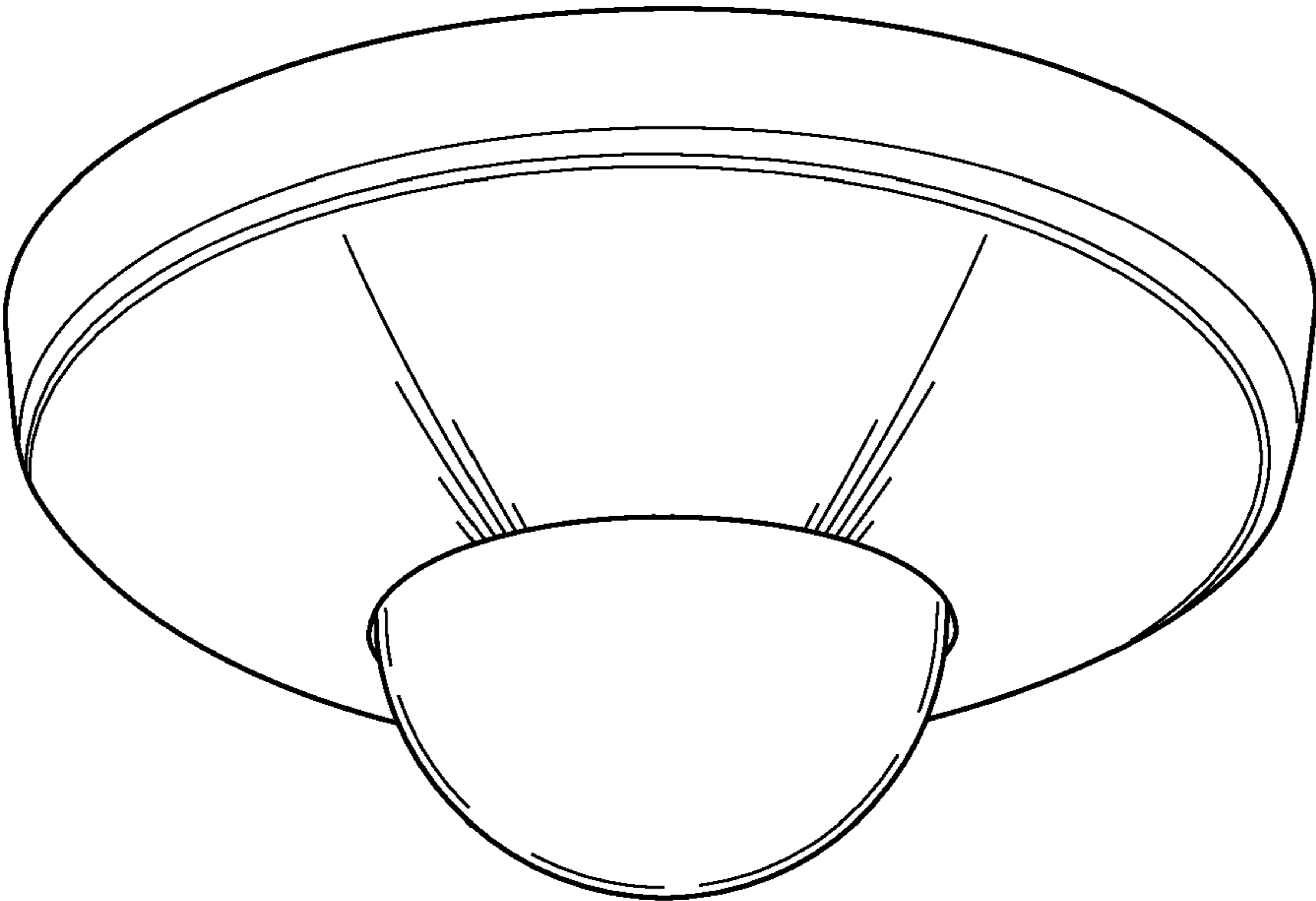
(58) **Field of Classification Search** ..... D10/106;  
D16/200, 202, 203, 208, 218; 348/143, 373-376;  
396/427, 535-541

FIG. 1 is a perspective view of the video surveillance camera of the present invention;  
FIG. 2 is a top plan view of the present invention;  
FIG. 3 is a front elevational view of the present invention;  
FIG. 4 is a rear elevational view the present invention; and,  
FIG. 5 is a left side elevational view of the present invention.

See application file for complete search history.

**1 Claim, 2 Drawing Sheets**





**FIG. 1**

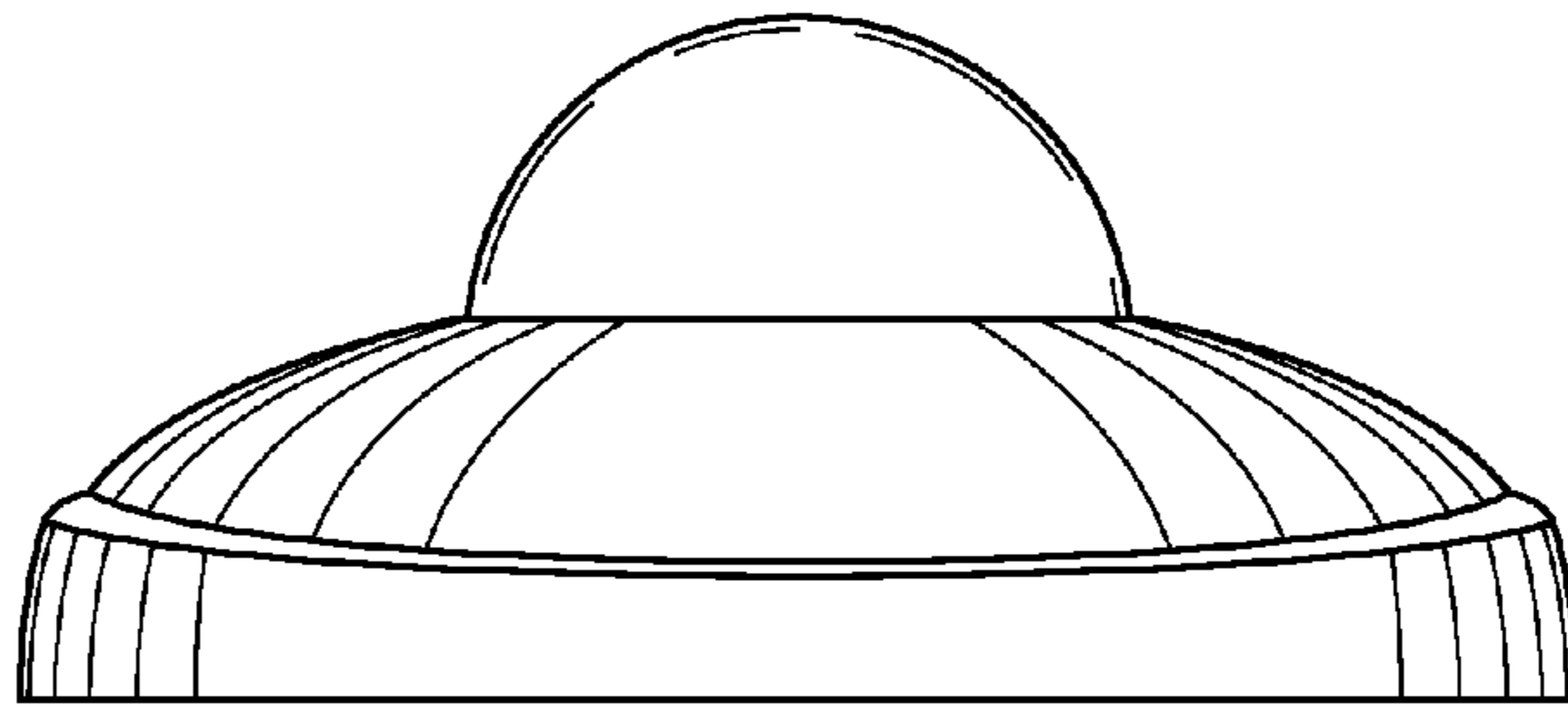


FIG. 3

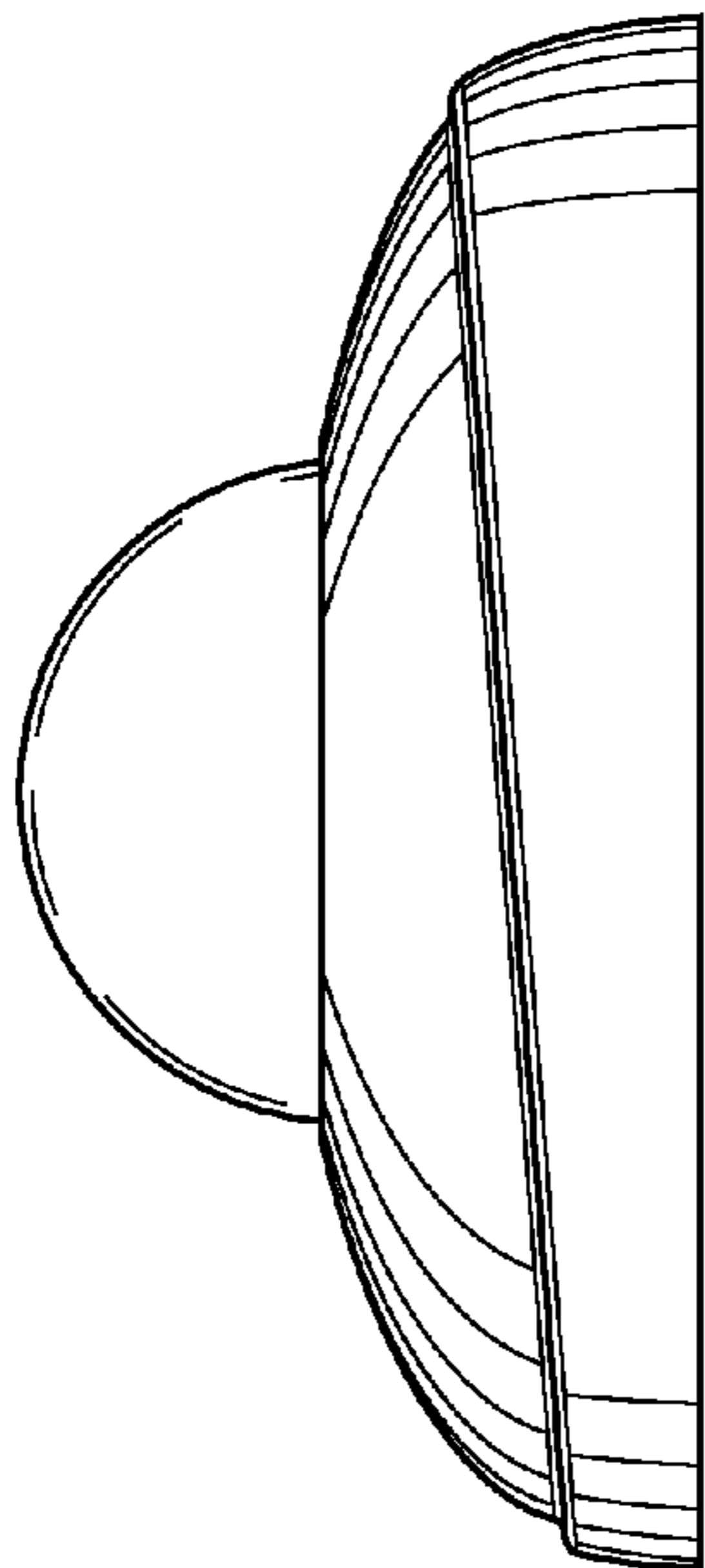


FIG. 5

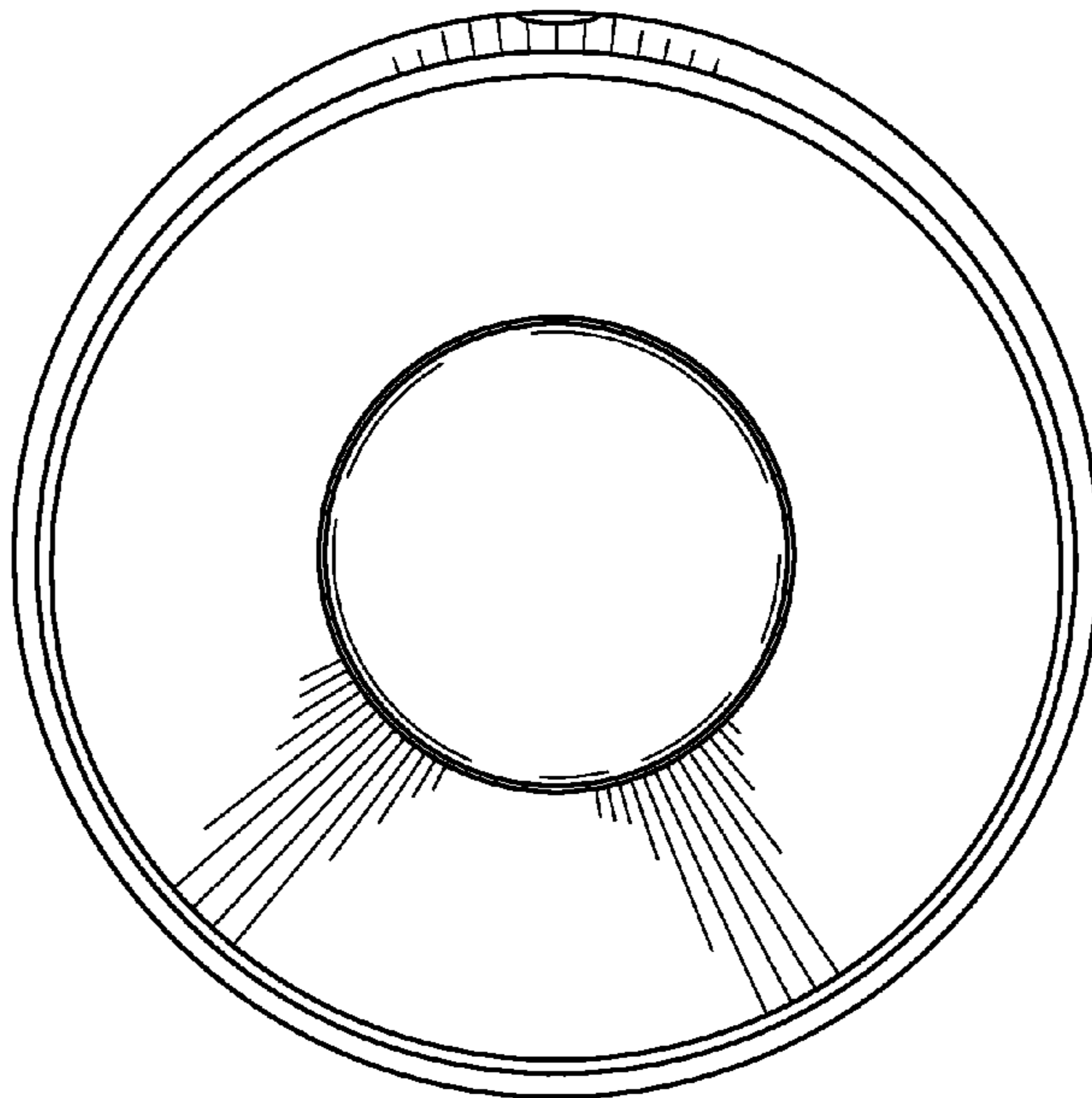


FIG. 2

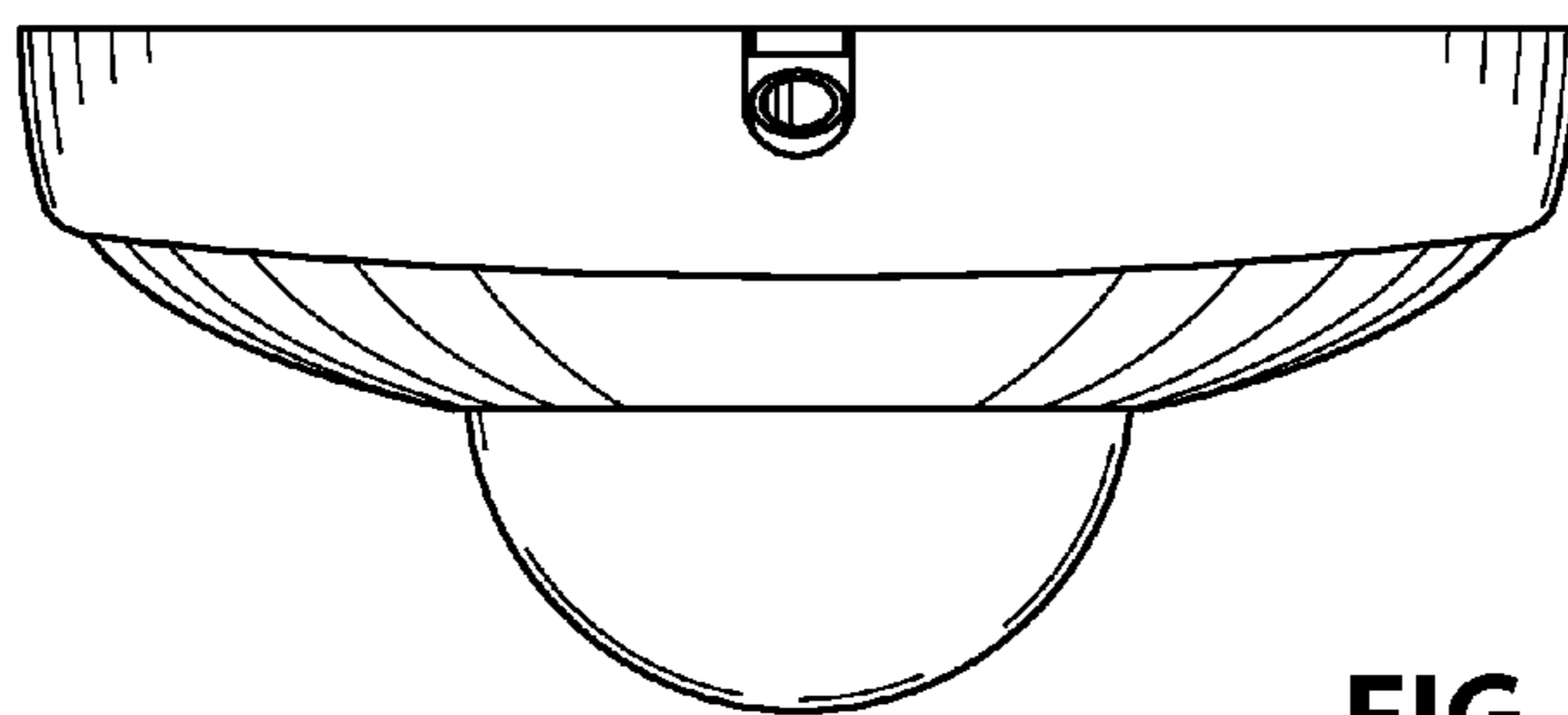


FIG. 4