



US00D639840S

(12) **United States Design Patent**
Sin et al.

(10) **Patent No.:** **US D639,840 S**

(45) **Date of Patent:** **** Jun. 14, 2011**

(54) **DIGITAL CAMERA**

(75) Inventors: **Ri-Na Sin**, Seoul (KR); **Sun-Woong Ham**, Seoul (KR)

(73) Assignee: **Samsung Electronics Co., Ltd.** (KR)

(**) Term: **14 Years**

(21) Appl. No.: **29/371,055**

(22) Filed: **Sep. 30, 2010**

(30) **Foreign Application Priority Data**

Aug. 11, 2010 (KR) 30-2010-0034911

(51) **LOC (9) Cl.** **16-01**

(52) **U.S. Cl.** **D16/202**

(58) **Field of Classification Search** D16/200–204,
D16/209, 218; 348/373–376; 358/909.1;
396/535–541

See application file for complete search history.

(56) **References Cited**

U.S. PATENT DOCUMENTS

D545,335 S * 6/2007 Kanno D16/218
D566,153 S * 4/2008 Katsuraku D16/218
D568,358 S * 5/2008 Shimobayashi D16/202

D576,650 S * 9/2008 Shibata et al. D16/202
D585,084 S * 1/2009 Yamamoto et al. D16/202
7,646,426 B2 * 1/2010 Saiki et al. 348/373
D627,381 S * 11/2010 Kwon D16/202

* cited by examiner

Primary Examiner — Adir Aronovich

(74) *Attorney, Agent, or Firm* — NSIP Law

(57) **CLAIM**

The ornamental design for a digital camera, as shown and described.

DESCRIPTION

FIG. 1 is a top, front and left side perspective view of a digital camera showing our new design;

FIG. 2 is a front elevational view of the digital camera of FIG. 1;

FIG. 3 is a rear elevational view of the digital camera of FIG. 1;

FIG. 4 is a left side elevational view of the digital camera of FIG. 1;

FIG. 5 is a right side elevational view of the digital camera of FIG. 1;

FIG. 6 is a top plan view of the digital camera of FIG. 1; and, FIG. 7 is a bottom plan view of the digital camera of FIG. 1.

1 Claim, 4 Drawing Sheets

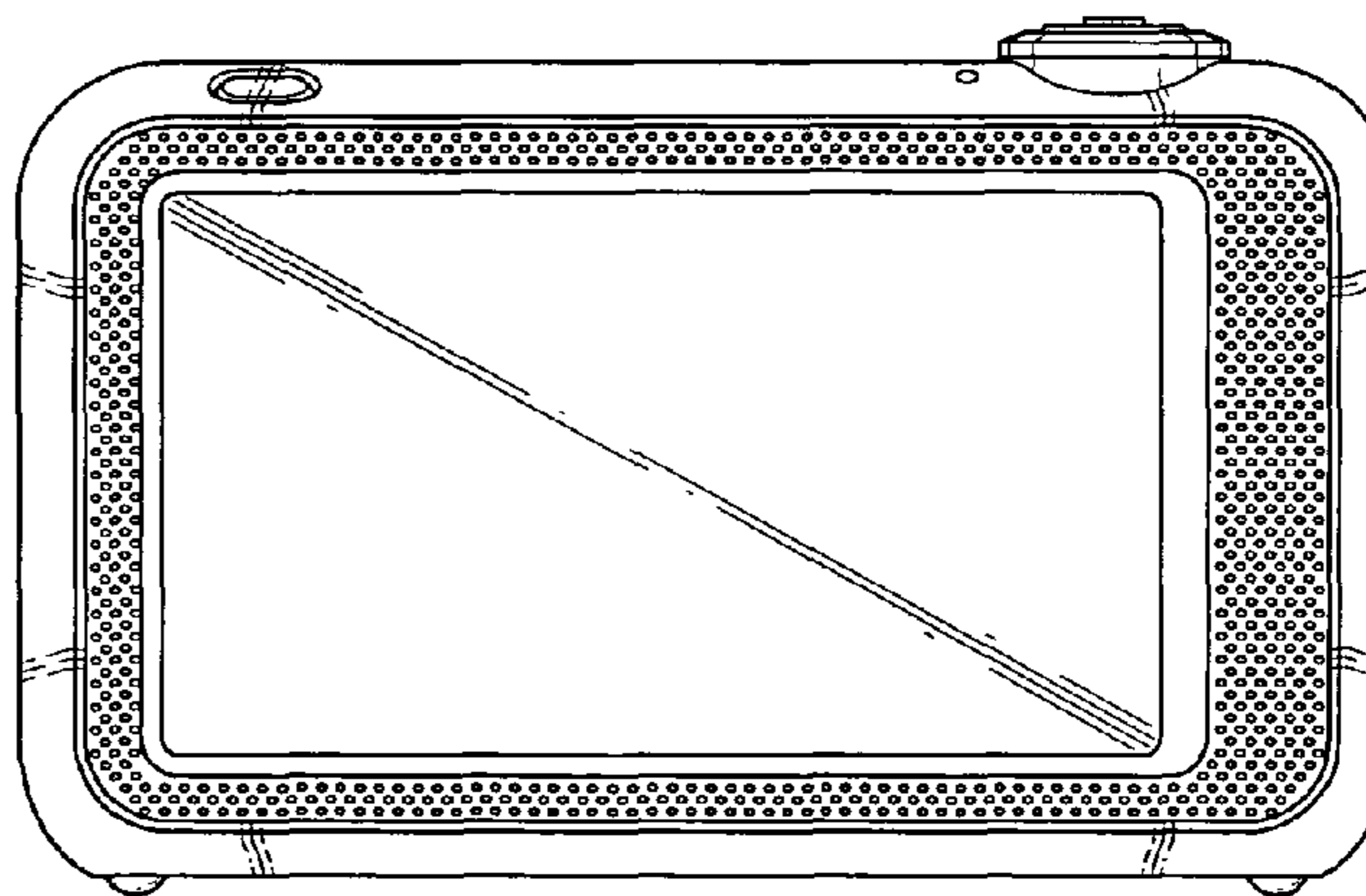
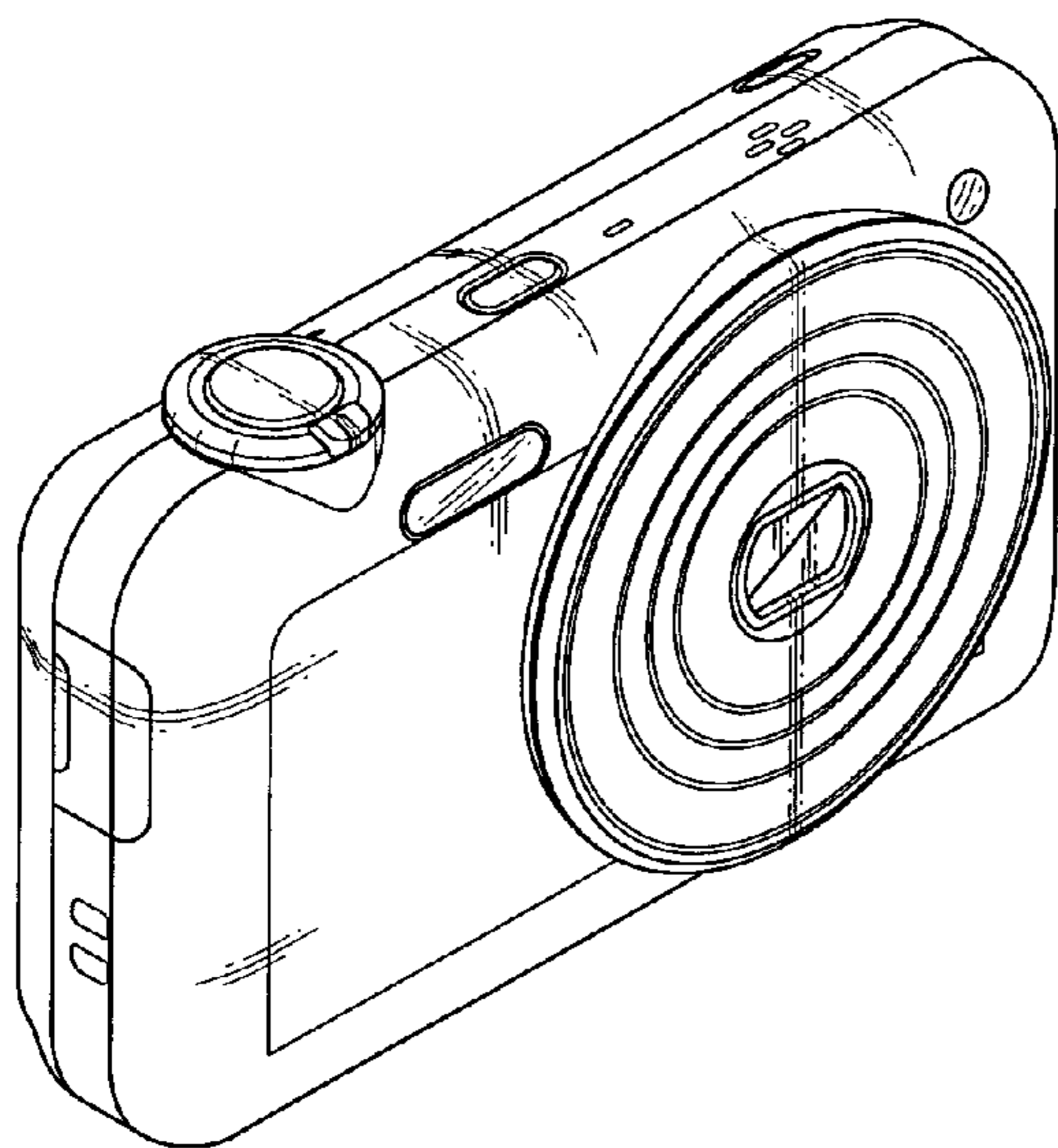


FIG. 1

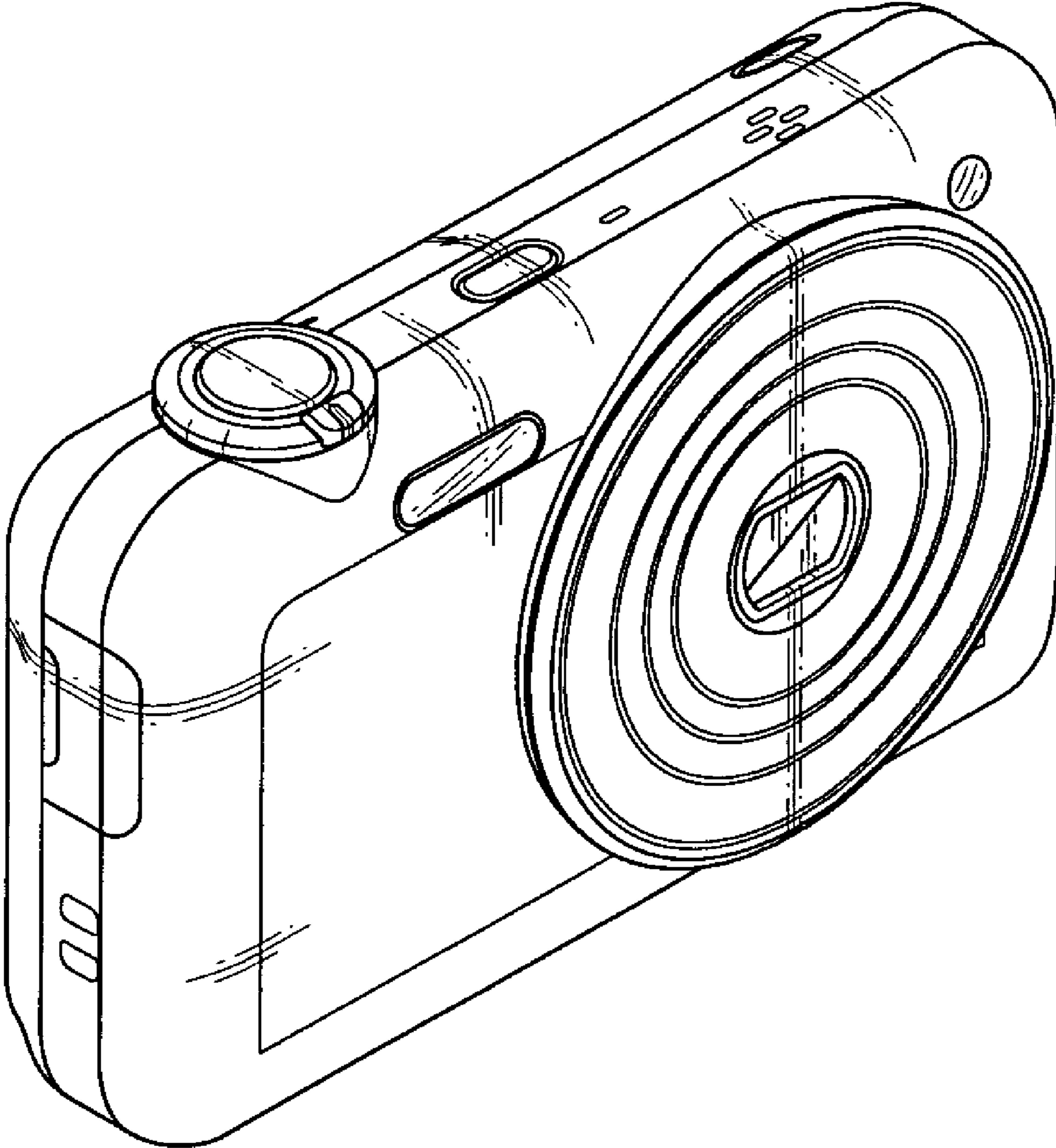


FIG. 2

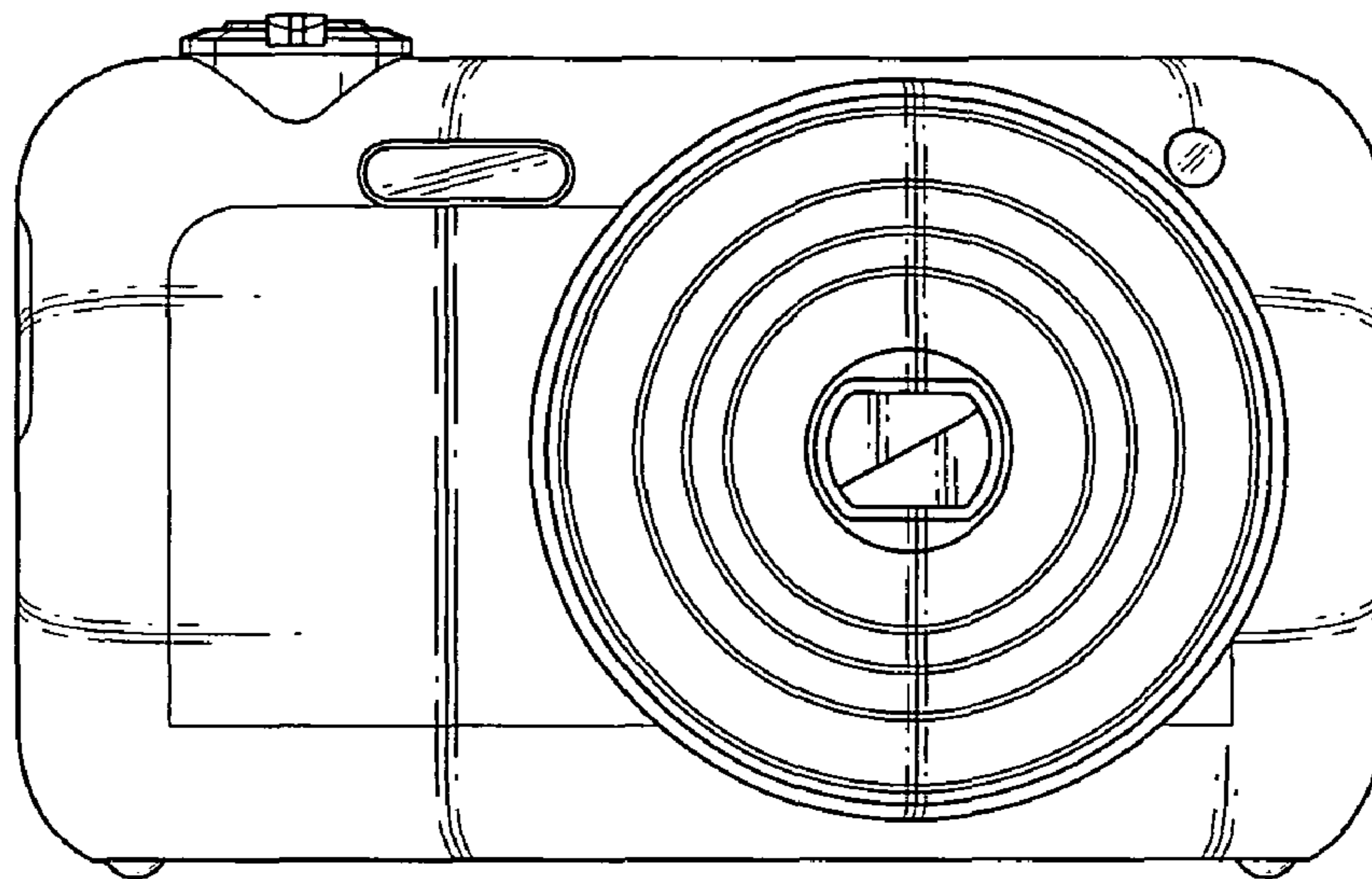


FIG. 3

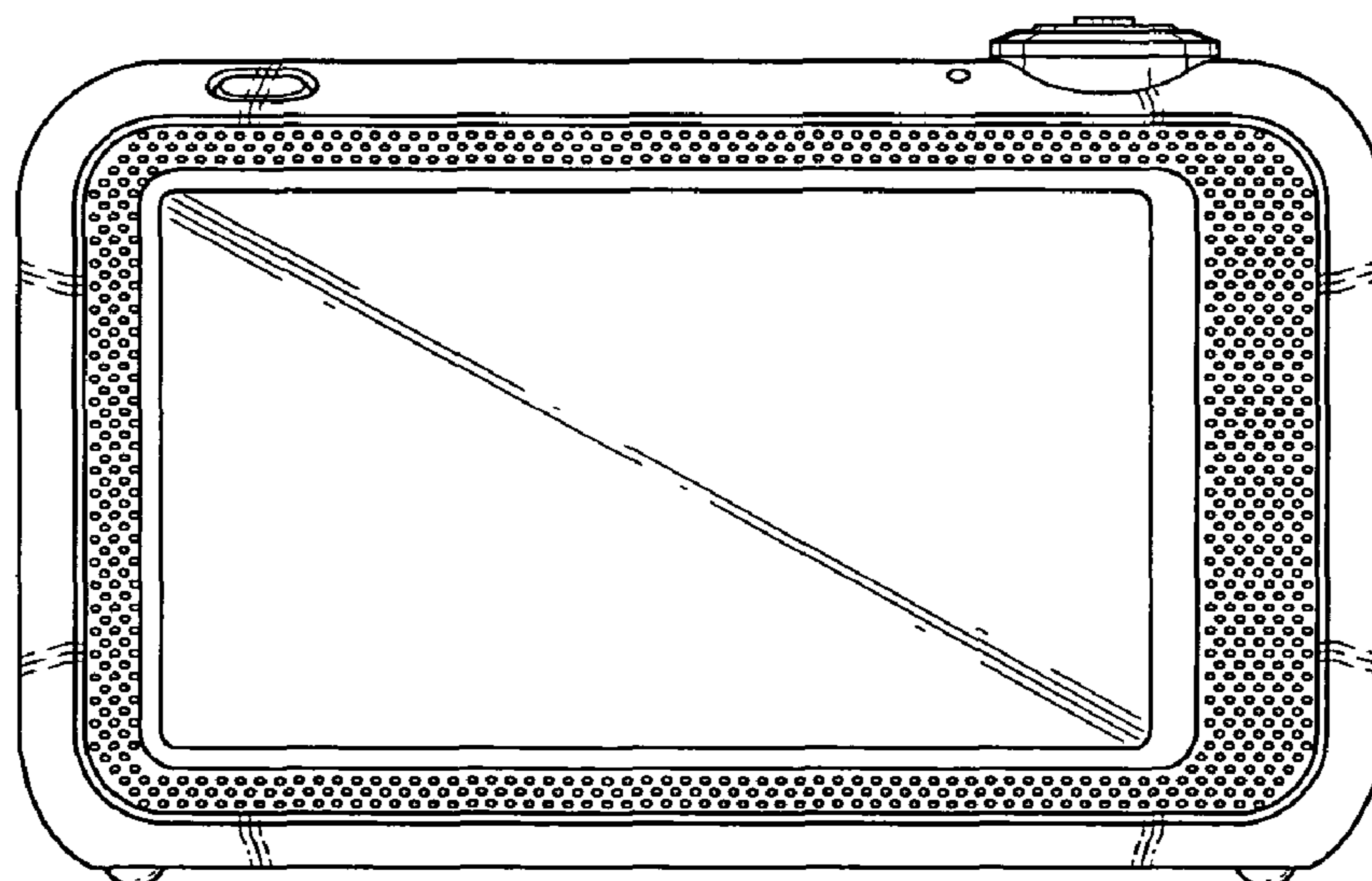


FIG. 4

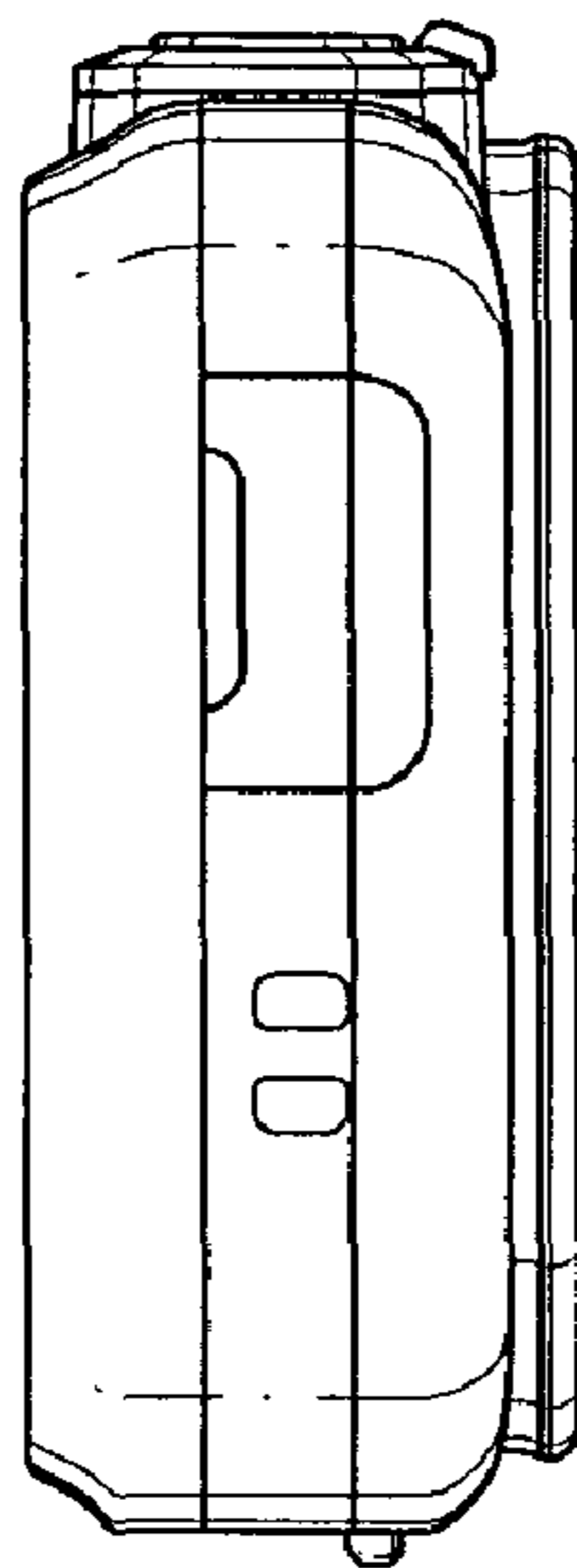


FIG. 5

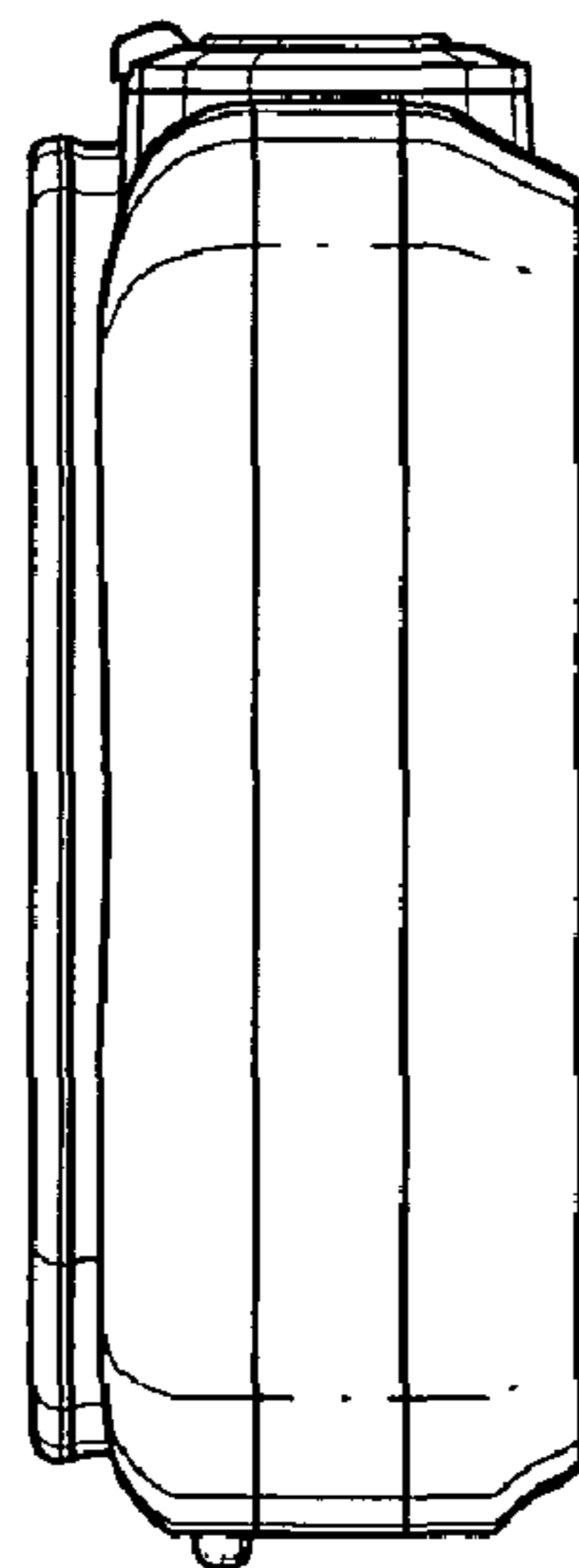


FIG. 6

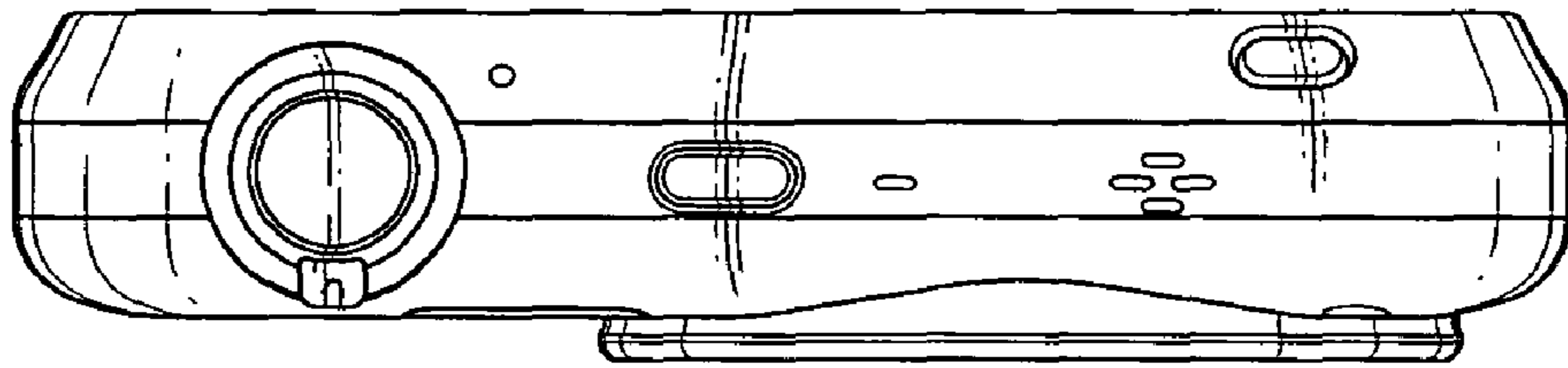


FIG. 7

