



US00D639839S

(12) **United States Design Patent**
Kao

(10) **Patent No.:** **US D639,839 S**
(45) **Date of Patent:** **** Jun. 14, 2011**

(54) **WEBCAM**

(75) **Inventor:** **Hsing-Yi Kao**, Tu-Cheng (TW)

(73) **Assignee:** **Cheng Uei Precision Industry Co., Ltd.**, Tu-Cheng, Taipei Hsien (TW)

(**) **Term:** **14 Years**

(21) **Appl. No.:** **29/368,912**

(22) **Filed:** **Aug. 31, 2010**

(51) **LOC (9) Cl.** **16-01**

(52) **U.S. Cl.** **D16/202**

(58) **Field of Classification Search** D16/200,
D16/202, 203, 204, 208, 218, 242; 348/373,
348/375; 396/419, 427, 535

See application file for complete search history.

(56) **References Cited**

U.S. PATENT DOCUMENTS

7,500,794 B1 * 3/2009 Clark 396/427
D600,730 S * 9/2009 Su D16/202
7,736,071 B2 * 6/2010 Wahl et al. 348/373

D628,222 S * 11/2010 Tzeng et al. D16/202
D629,031 S * 12/2010 Su et al. D16/202
D631,079 S * 1/2011 Tzeng D16/202
D631,497 S * 1/2011 Han et al. D16/202

* cited by examiner

Primary Examiner — Adir Aronovich

(74) *Attorney, Agent, or Firm* — Cheng-Ju Chiang

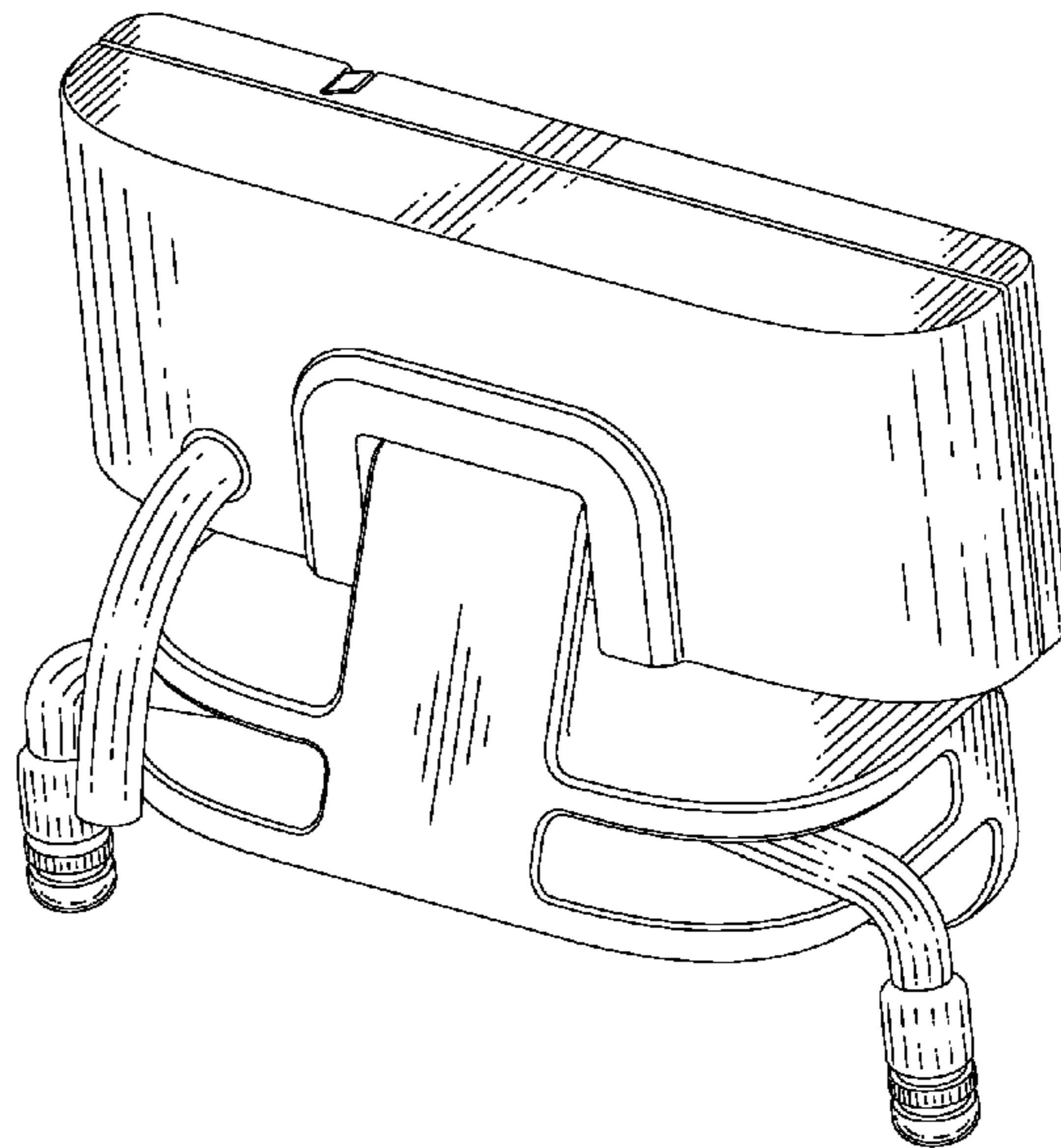
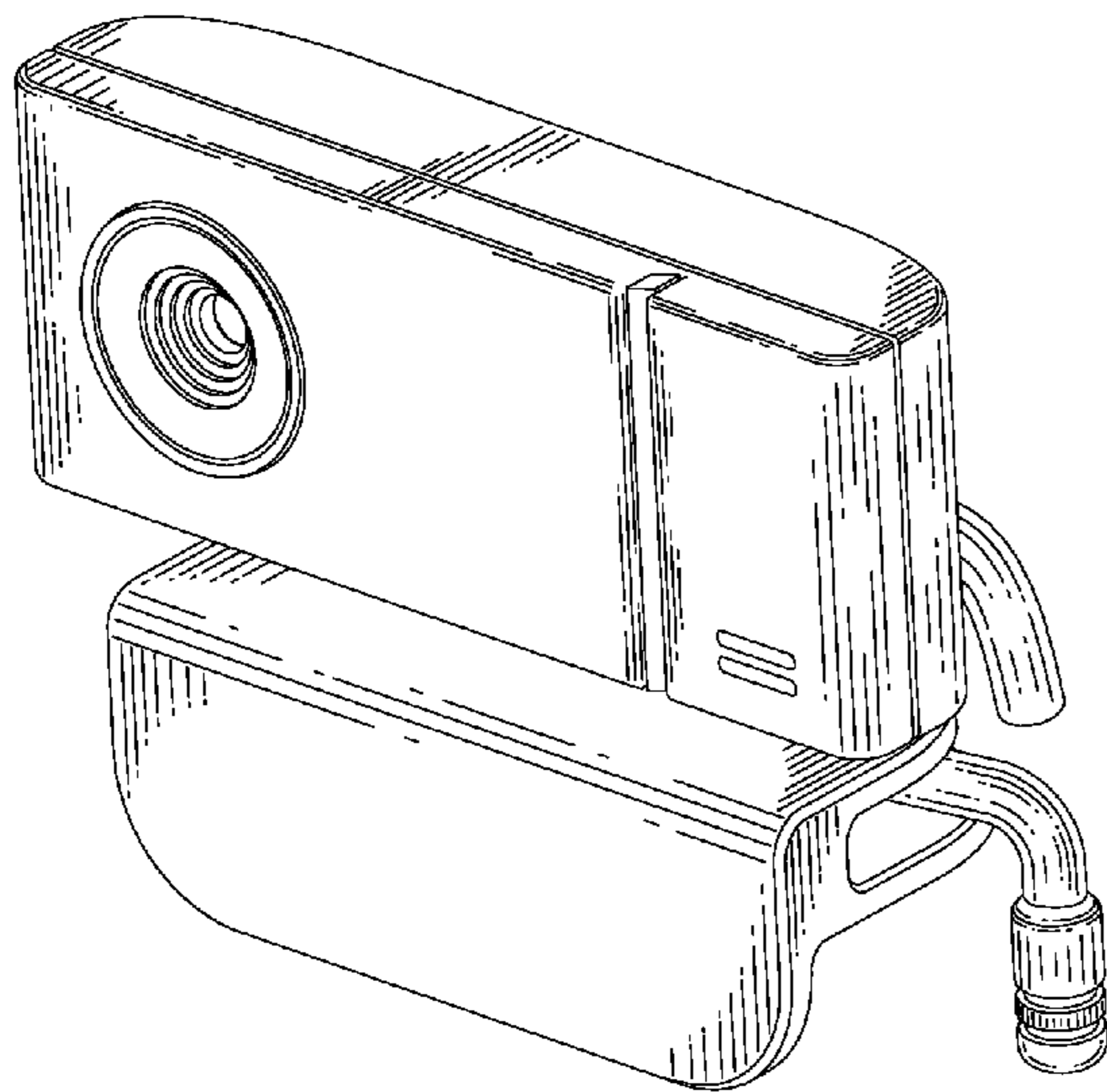
(57) **CLAIM**

The ornamental design for a webcam, as shown and described.

DESCRIPTION

FIG. 1 is a front and right side perspective view of a webcam showing my new design;
FIG. 2 is a front elevational view thereof;
FIG. 3 is a rear elevational view thereof;
FIG. 4 is a left side elevational view thereof;
FIG. 5 is a right side elevational view thereof;
FIG. 6 is a top plan view thereof;
FIG. 7 is a bottom plan view thereof; and,
FIG. 8 is a rear and left side perspective view thereof.

1 Claim, 8 Drawing Sheets



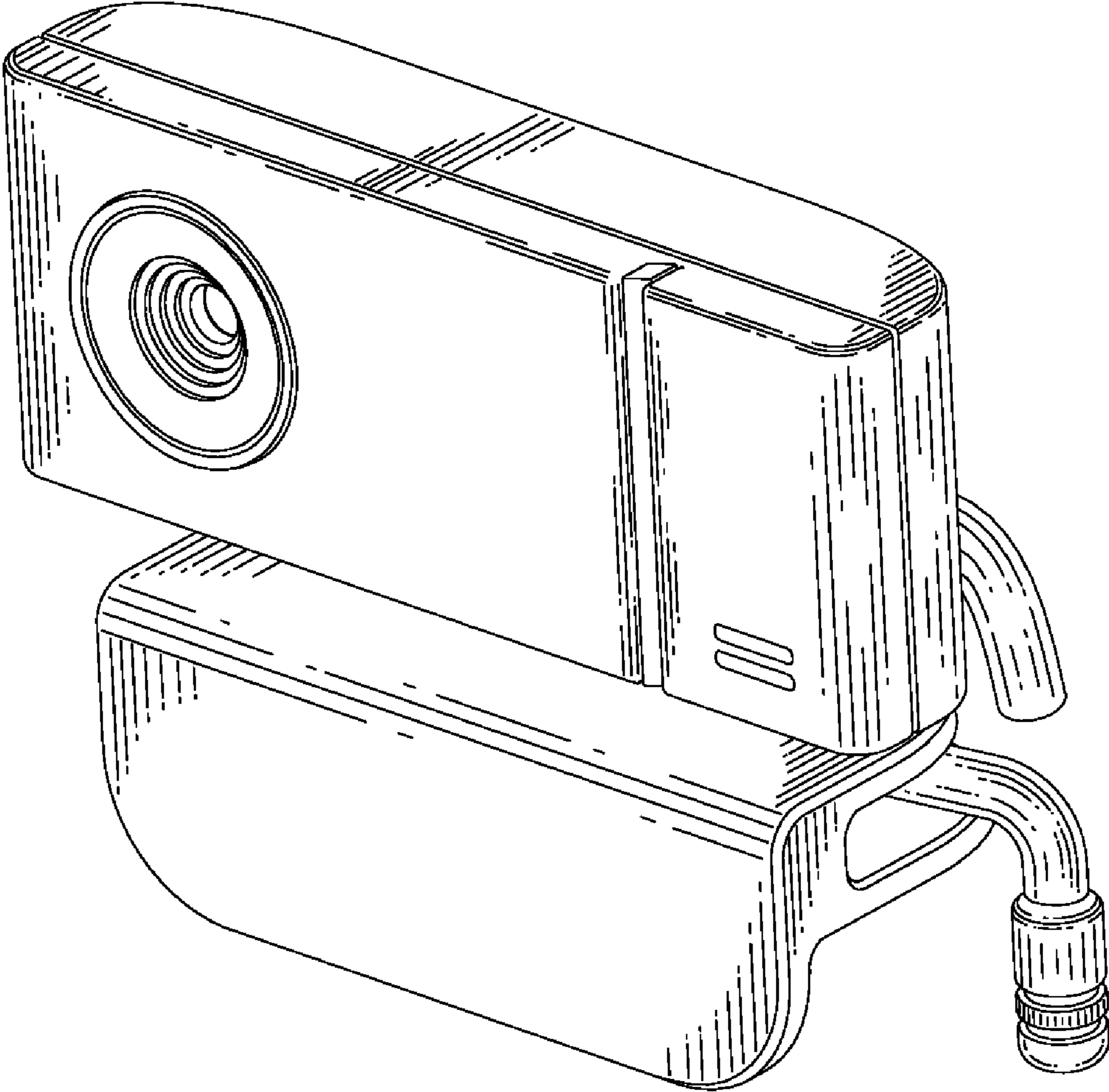


FIG. 1

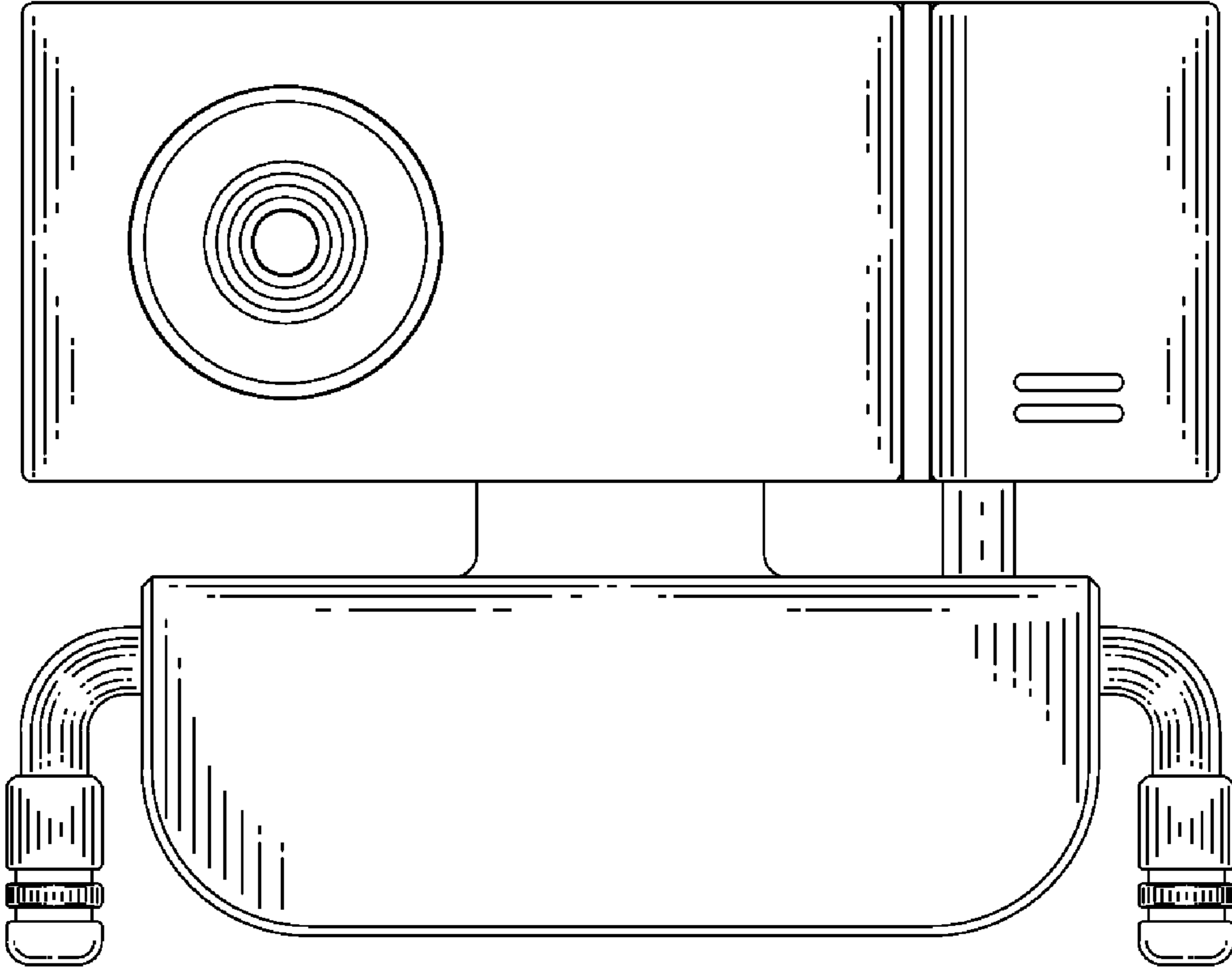


FIG. 2

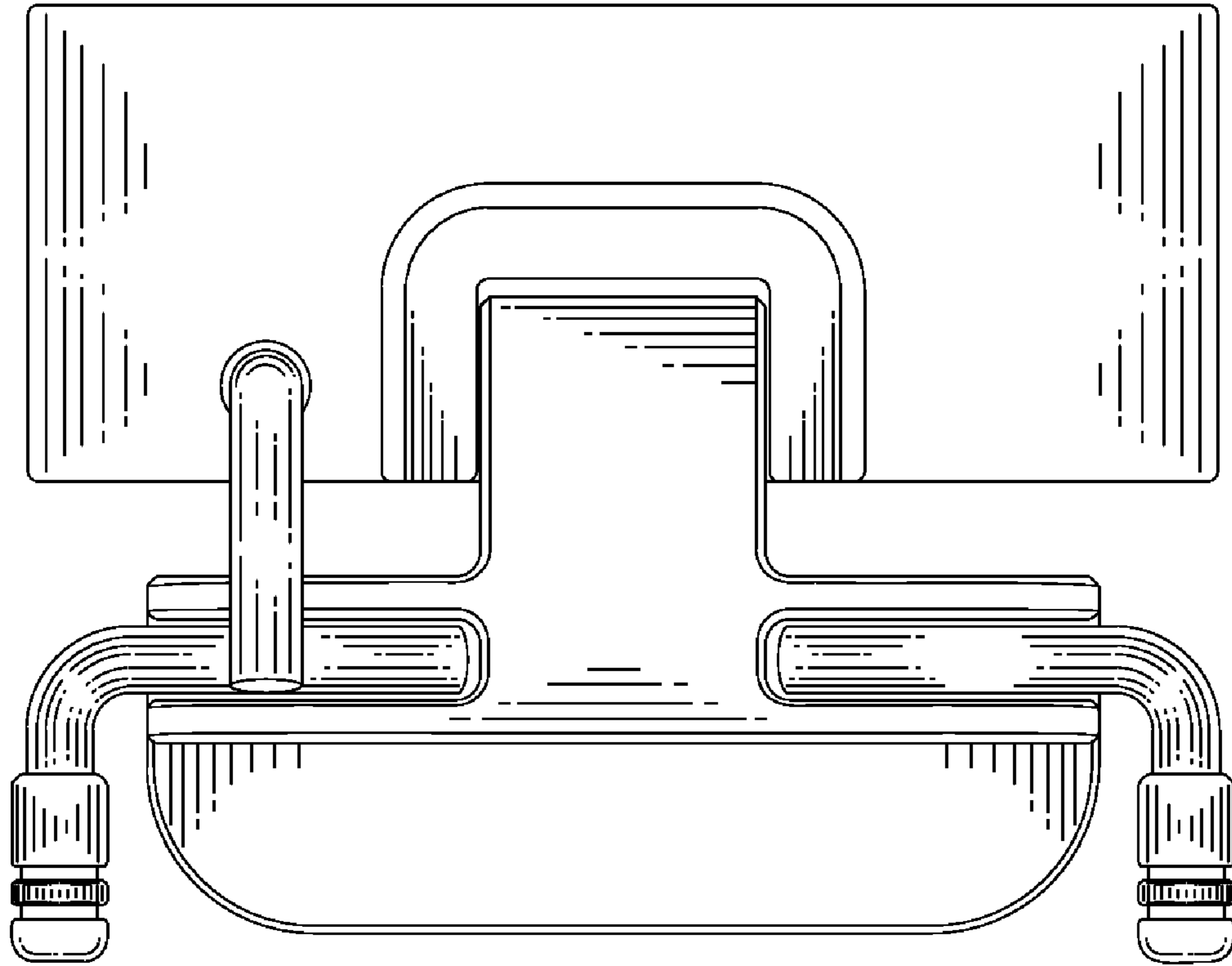


FIG. 3

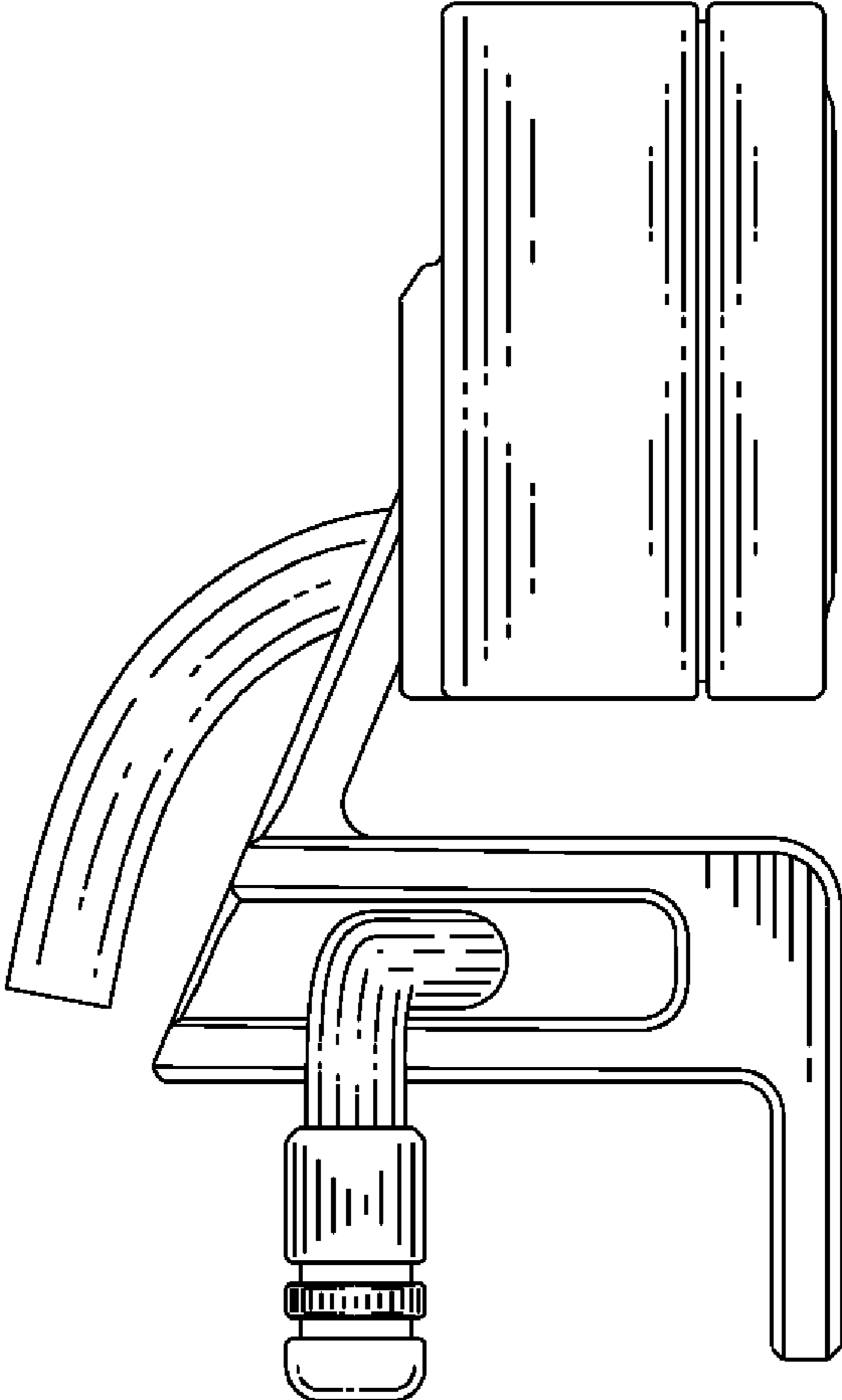


FIG. 4

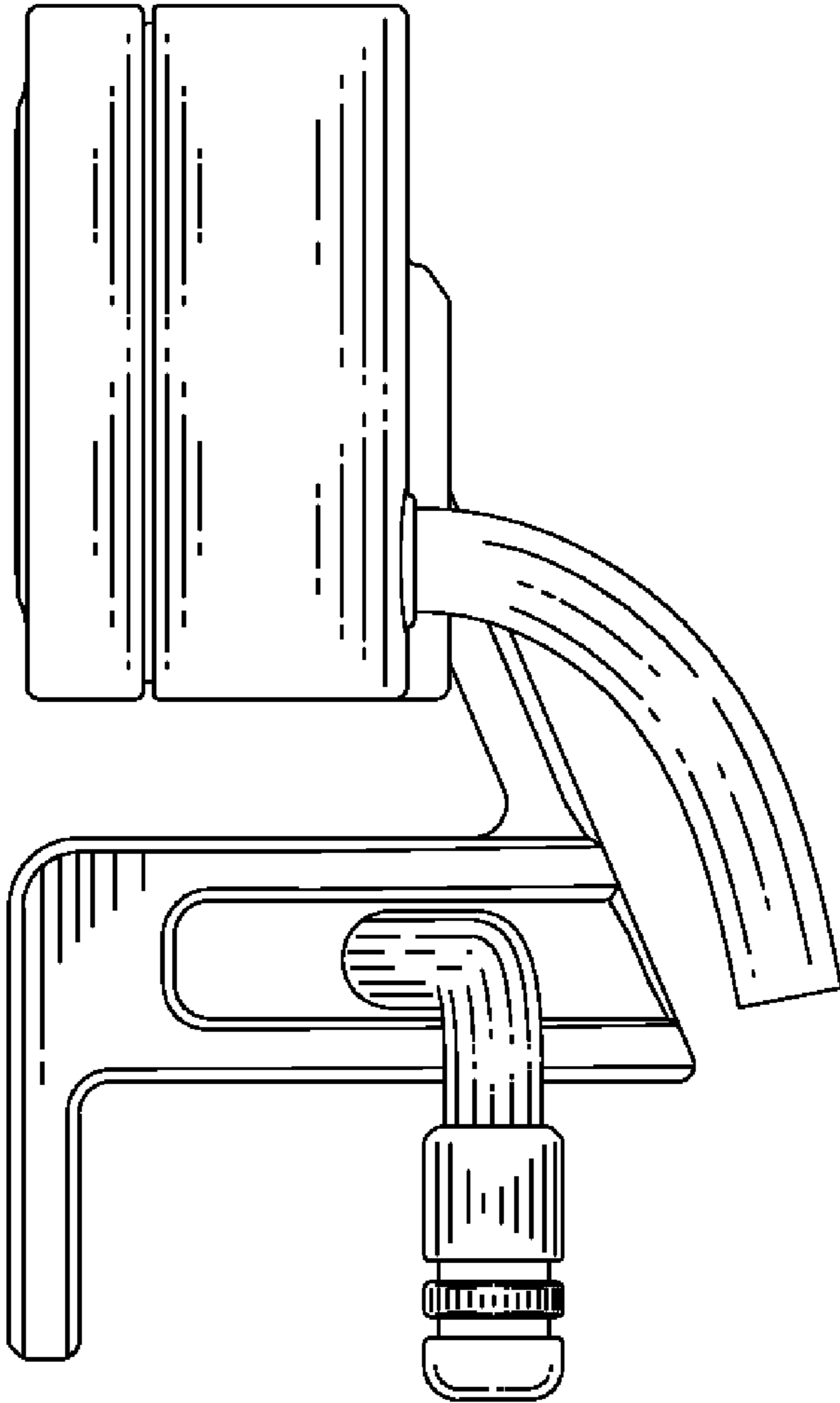


FIG. 5

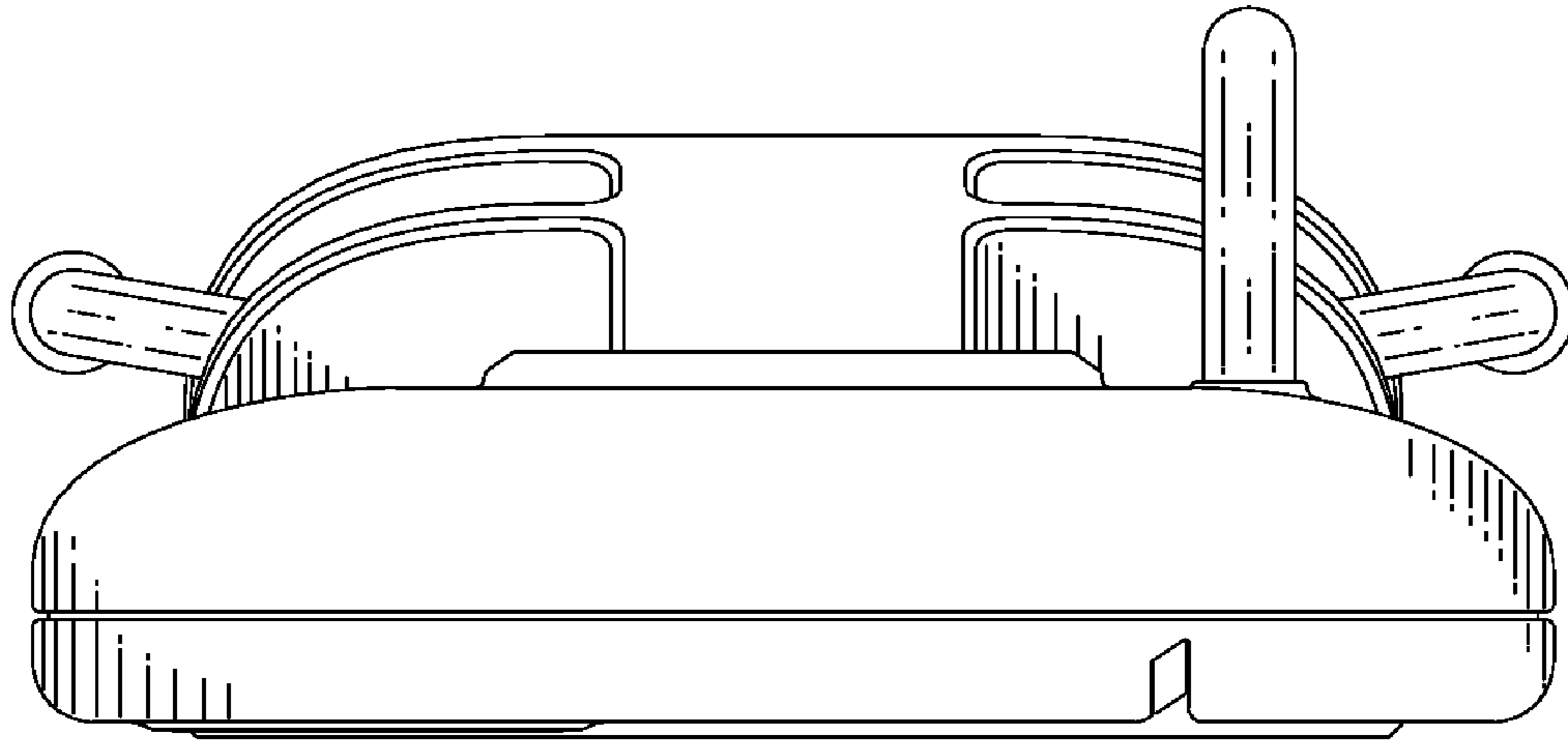


FIG. 6

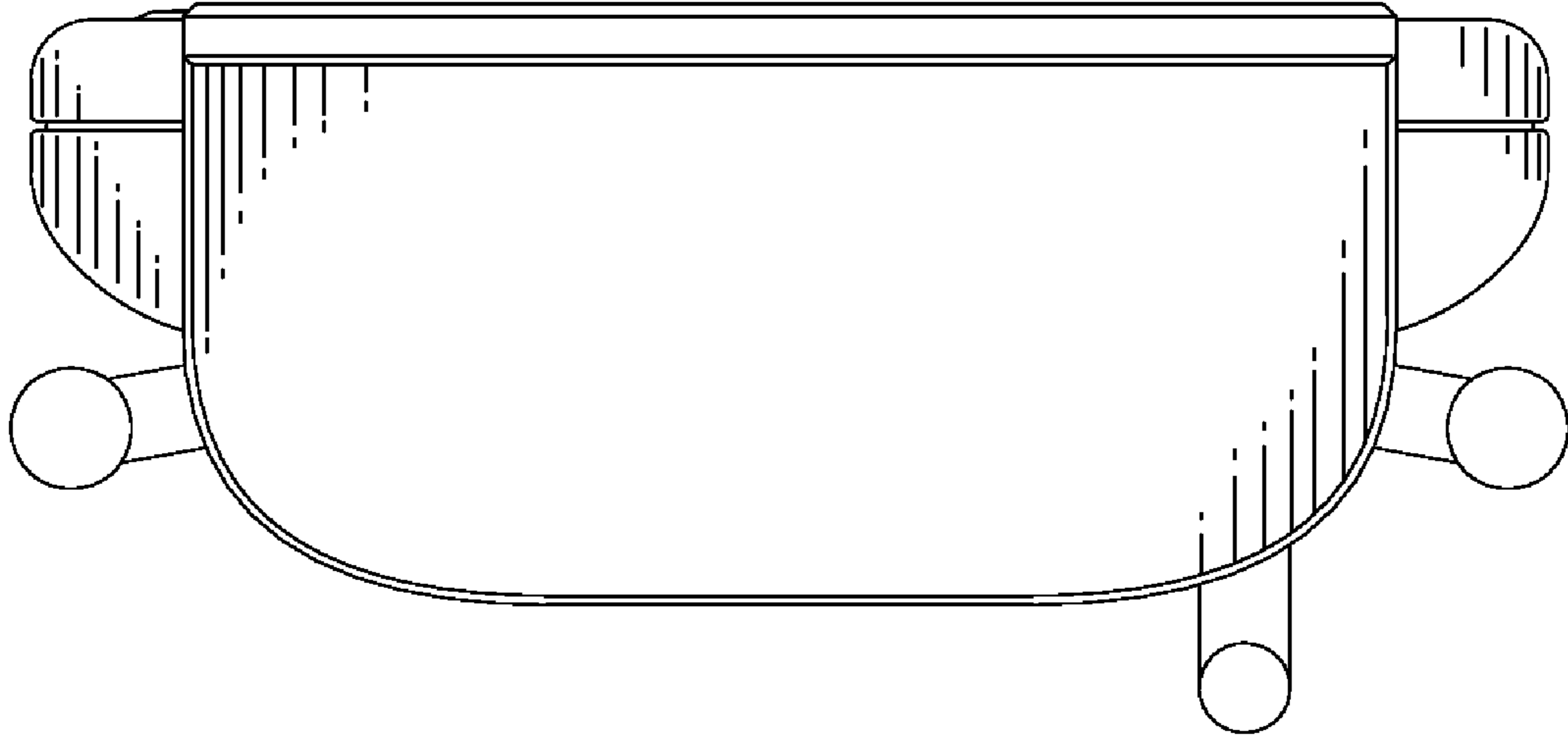


FIG. 7

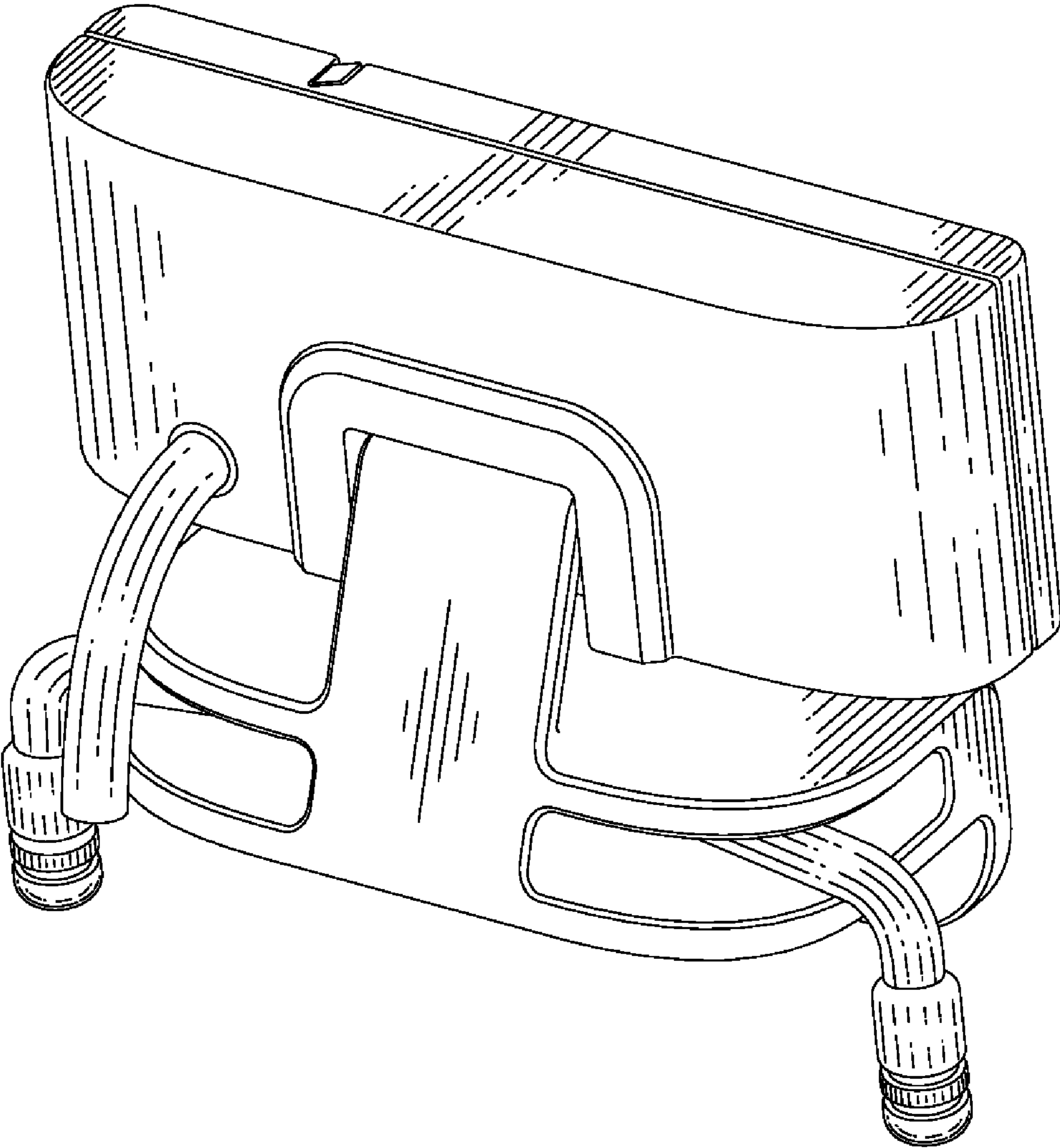


FIG. 8