



US00D639838S

(12) **United States Design Patent**  
**Imai**

(10) **Patent No.:** **US D639,838 S**  
(45) **Date of Patent:** **\*\* Jun. 14, 2011**

(54) **ELECTRONIC CAMERA**

(56) **References Cited**

(75) Inventor: **Masazumi Imai**, Tokyo (JP)

U.S. PATENT DOCUMENTS

(73) Assignee: **Fujifilm Corporation**, Tokyo (JP)

D548,255 S *	8/2007	Naito	.....	D16/202
D570,889 S *	6/2008	Nakajima	.....	D16/202
D573,623 S *	7/2008	Nakajima	.....	D16/218
D585,083 S *	1/2009	Nakajima	.....	D16/202
D601,604 S *	10/2009	Kim	.....	D16/202
D610,179 S *	2/2010	Tajima	.....	D16/202

(\*\*) Term: **14 Years**

\* cited by examiner

(21) Appl. No.: **29/338,960**

*Primary Examiner* — Adir Aronovich

(22) Filed: **Jun. 22, 2009**

(74) *Attorney, Agent, or Firm* — Young & Thompson

(30) **Foreign Application Priority Data**

(57) **CLAIM**

The ornamental design for an electronic camera, as shown and described.

Dec. 23, 2008 (JP) ..... 2008-032586

**DESCRIPTION**

(51) **LOC (9) Cl.** ..... **16-01**

FIG. 1 is a top, front and right side perspective view of an electronic camera showing my new design;  
FIG. 2 is a front elevational view thereof;  
FIG. 3 is a rear elevational view thereof;  
FIG. 4 is a top plan view thereof;  
FIG. 5 is a bottom plan view thereof;  
FIG. 6 is a left side elevational view thereof; and,  
FIG. 7 is a right side elevational view thereof.

(52) **U.S. Cl.** ..... **D16/202**

(58) **Field of Classification Search** ..... D16/200–204,  
D16/218, 219; 348/373–376; 358/909.1;  
396/535–541

See application file for complete search history.

**1 Claim, 5 Drawing Sheets**

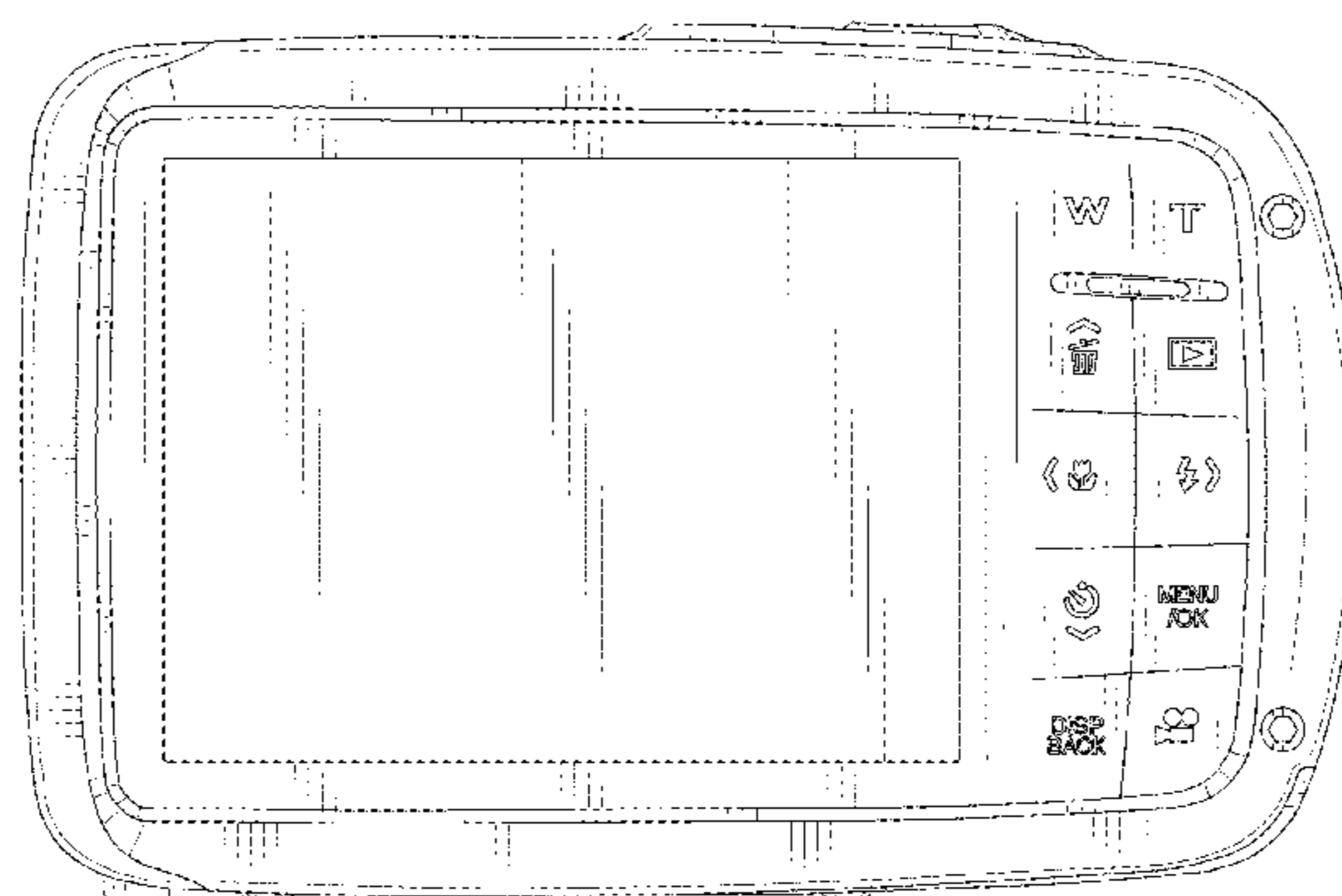
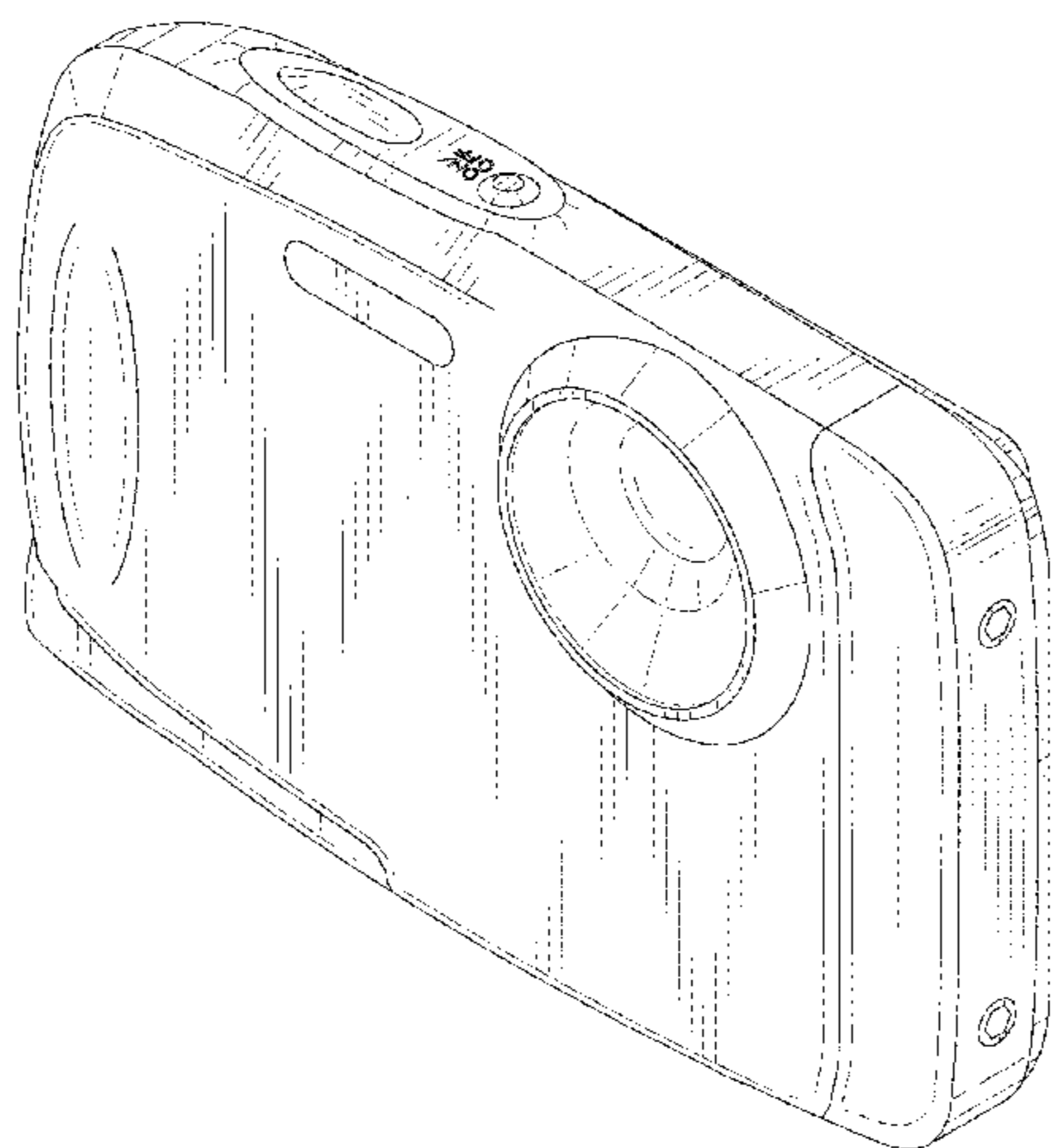


FIG. 1

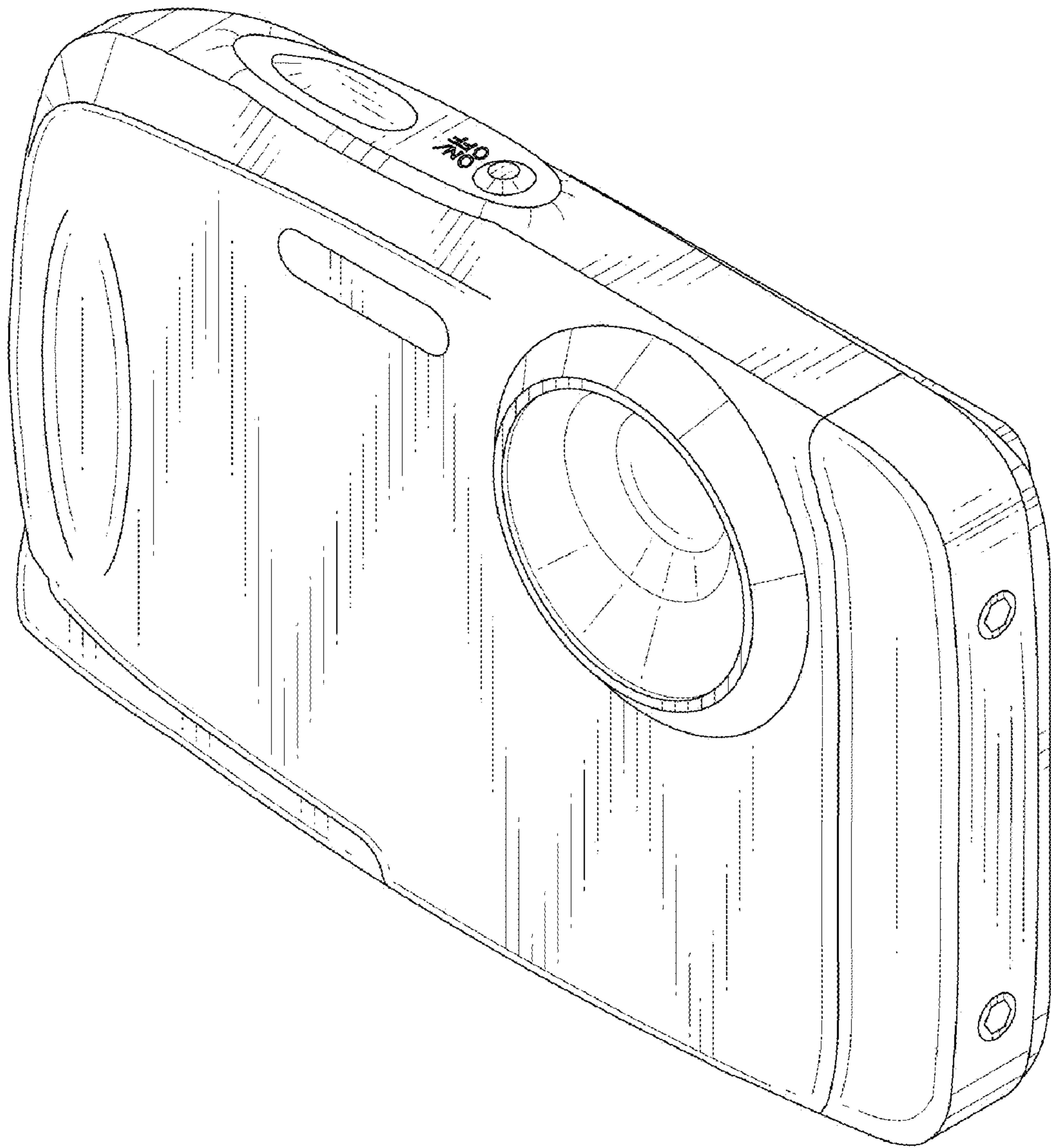


FIG. 2

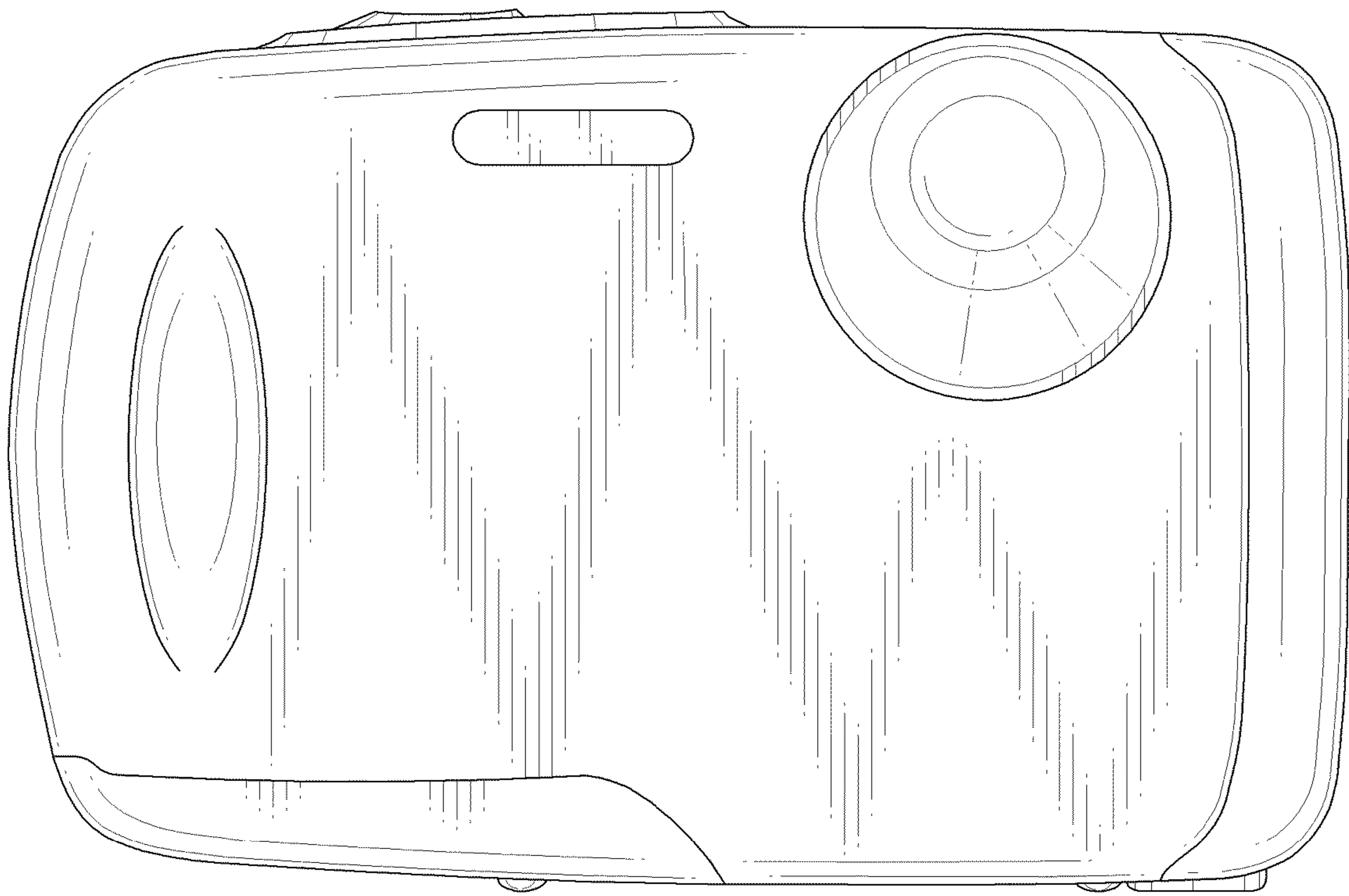


FIG. 3

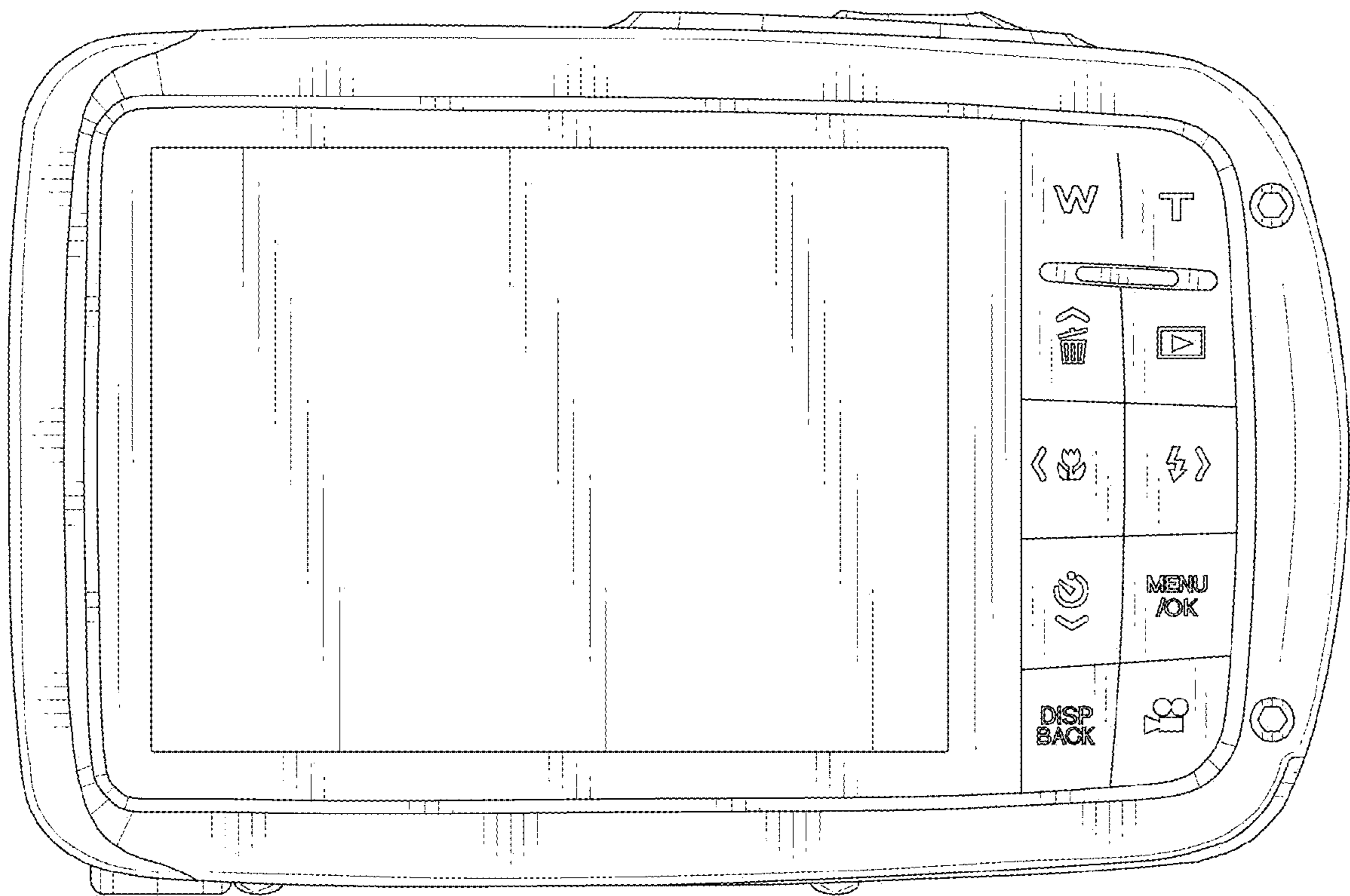


FIG. 4

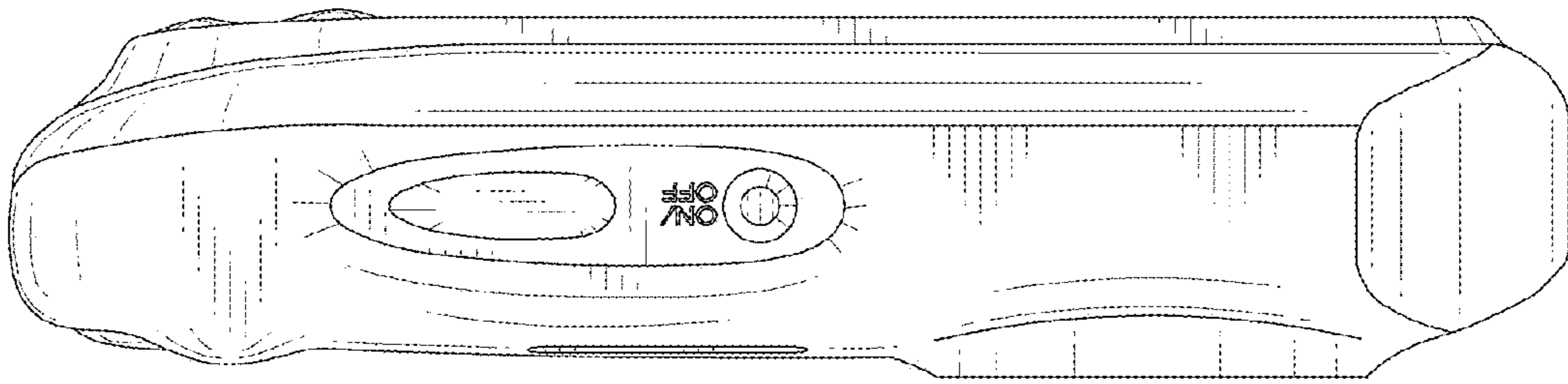


FIG. 5

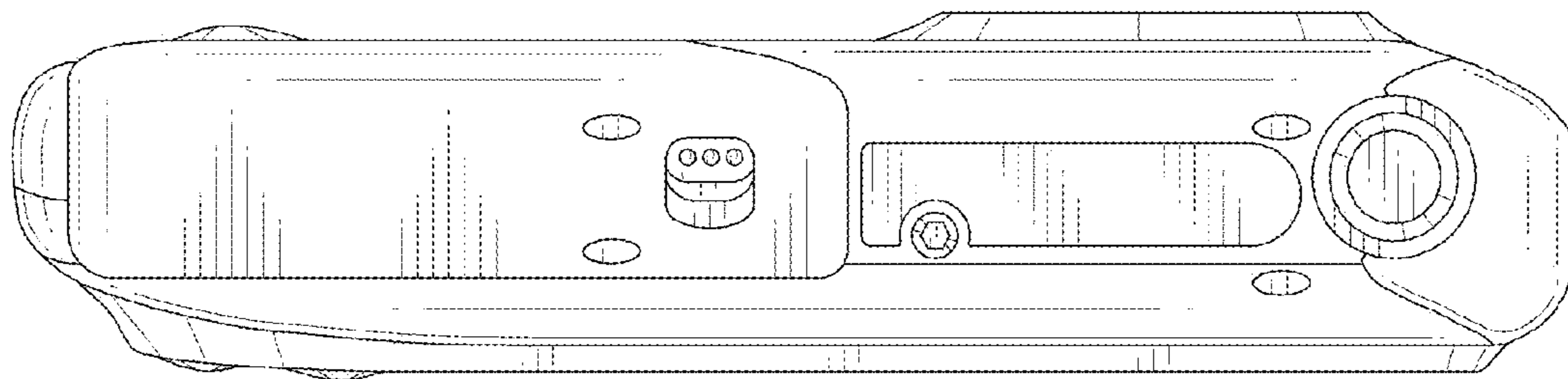


FIG. 6

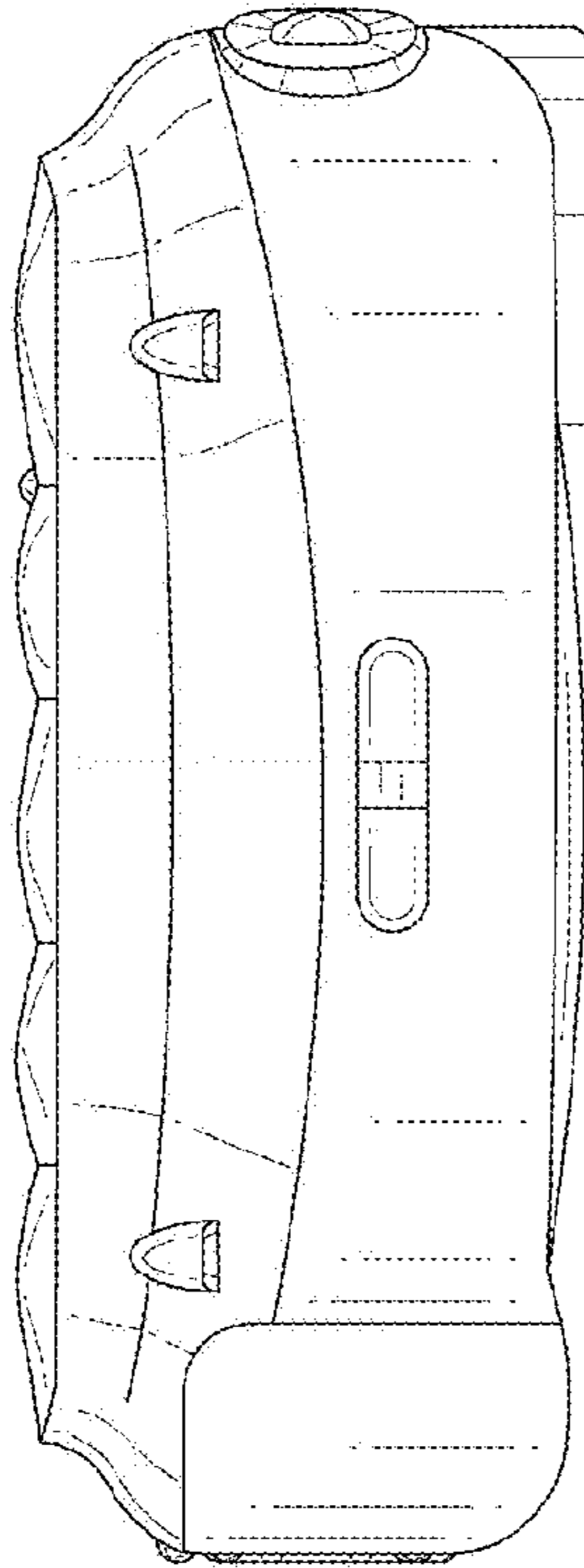


FIG. 7

