

US00D639836S

(12) **United States Design Patent**
van Cuijk et al.

(10) **Patent No.:** **US D639,836 S**

(45) **Date of Patent:** **** Jun. 14, 2011**

(54) **POWDER DOSING MACHINE**

(75) Inventors: **Gerco J. van Cuijk**, Delft (NL);
Johannes H. N. Post, Sassenheim (NL)

(73) Assignee: **Fluid Management Operations, LLC**,
Wheeling, IL (US)

(**) Term: **14 Years**

(21) Appl. No.: **29/350,096**

(22) Filed: **Nov. 11, 2009**

(51) **LOC (9) Cl.** **15-99**

(52) **U.S. Cl.** **D15/199**

(58) **Field of Classification Search** D6/512,
D6/545; D24/110; D15/199; 53/268, 273;
62/188, 390; 128/200.21, 203.15; 141/98,
141/174; 222/23, 64, 65, 129.1, 129.3, 161,
222/164, 234, 636; 366/141, 142; 399/258;
425/150

See application file for complete search history.

(56) **References Cited**

U.S. PATENT DOCUMENTS

4,364,666	A *	12/1982	Keyes	366/142
4,566,287	A *	1/1986	Schmidt et al.	62/188
4,728,005	A *	3/1988	Jacobs et al.	222/64
4,850,515	A *	7/1989	Cleland	222/161
D458,788	S *	6/2002	Real	D6/545

D605,753	S *	12/2009	Smutney et al.	D24/110
2006/0261095	A1 *	11/2006	Rebordosa et al.	222/234
2007/0039981	A1 *	2/2007	Kindler	222/636
2007/0091717	A1 *	4/2007	Steinwald	366/141
2008/0236702	A1 *	10/2008	Platsch	141/98
2009/0000615	A1 *	1/2009	Pohlmann et al.	128/200.21
2009/0044490	A1 *	2/2009	Schlipf et al.	53/268
2009/0232922	A1 *	9/2009	Schlipf et al.	425/150
2009/0245881	A1 *	10/2009	Schlageter et al.	399/258
2010/0192993	A1 *	8/2010	Housmekerides et al.	134/56 D

* cited by examiner

Primary Examiner — Patricia Palasik

(74) *Attorney, Agent, or Firm* — Miller, Matthias & Hull
LLP

(57) **CLAIM**

The ornamental design for a “powder dosing machine,” as
shown and described.

DESCRIPTION

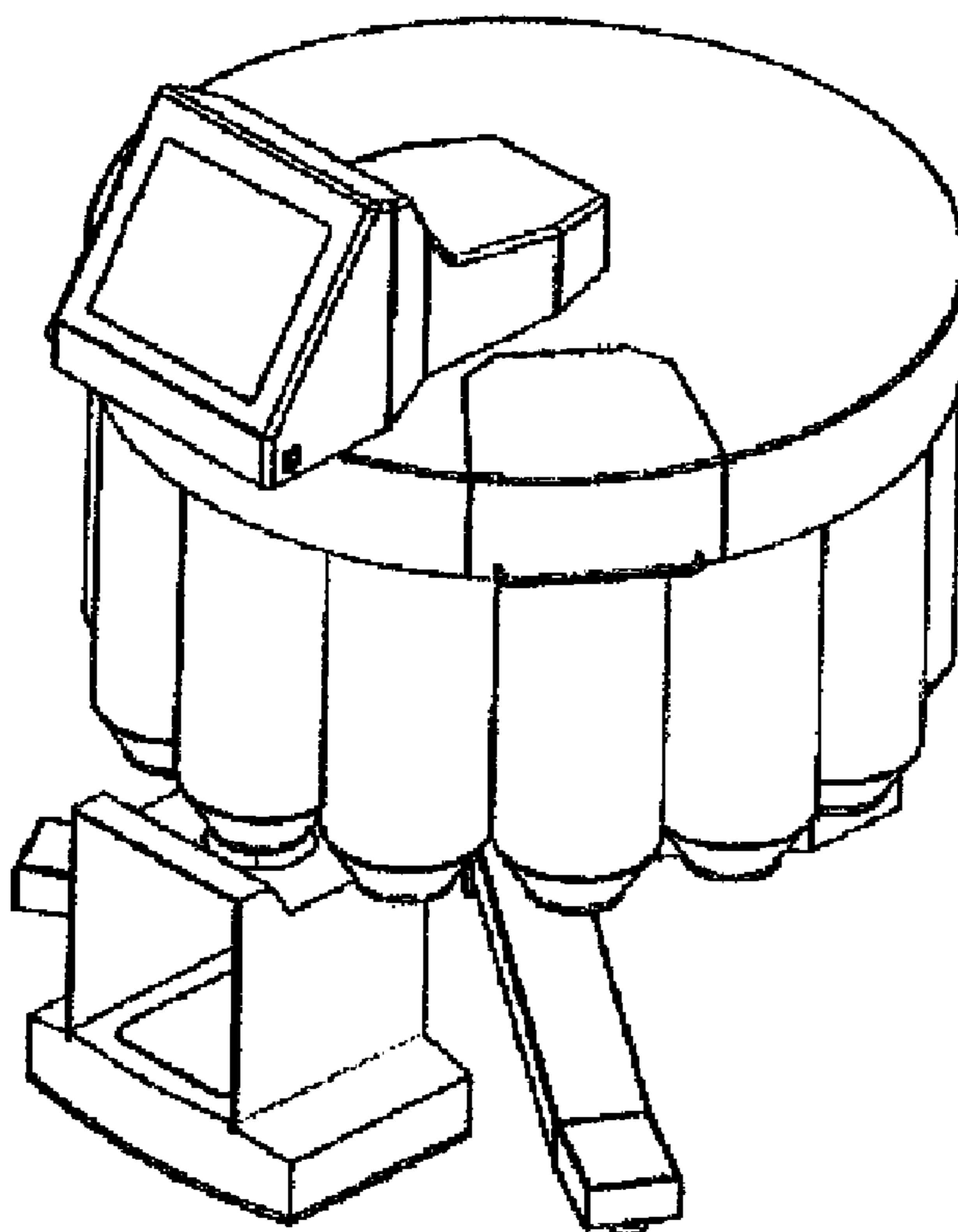
FIG. 1 is a perspective view of a powder dosing machine
showing our new design;

FIG. 2 is a front view of the powder dosing machine of FIG.
1;

FIG. 3 is a side view of the powder dosing machine of FIG. 1;
and,

FIG. 4 is a top view of the powder dosing machine of FIG. 1.

1 Claim, 2 Drawing Sheets



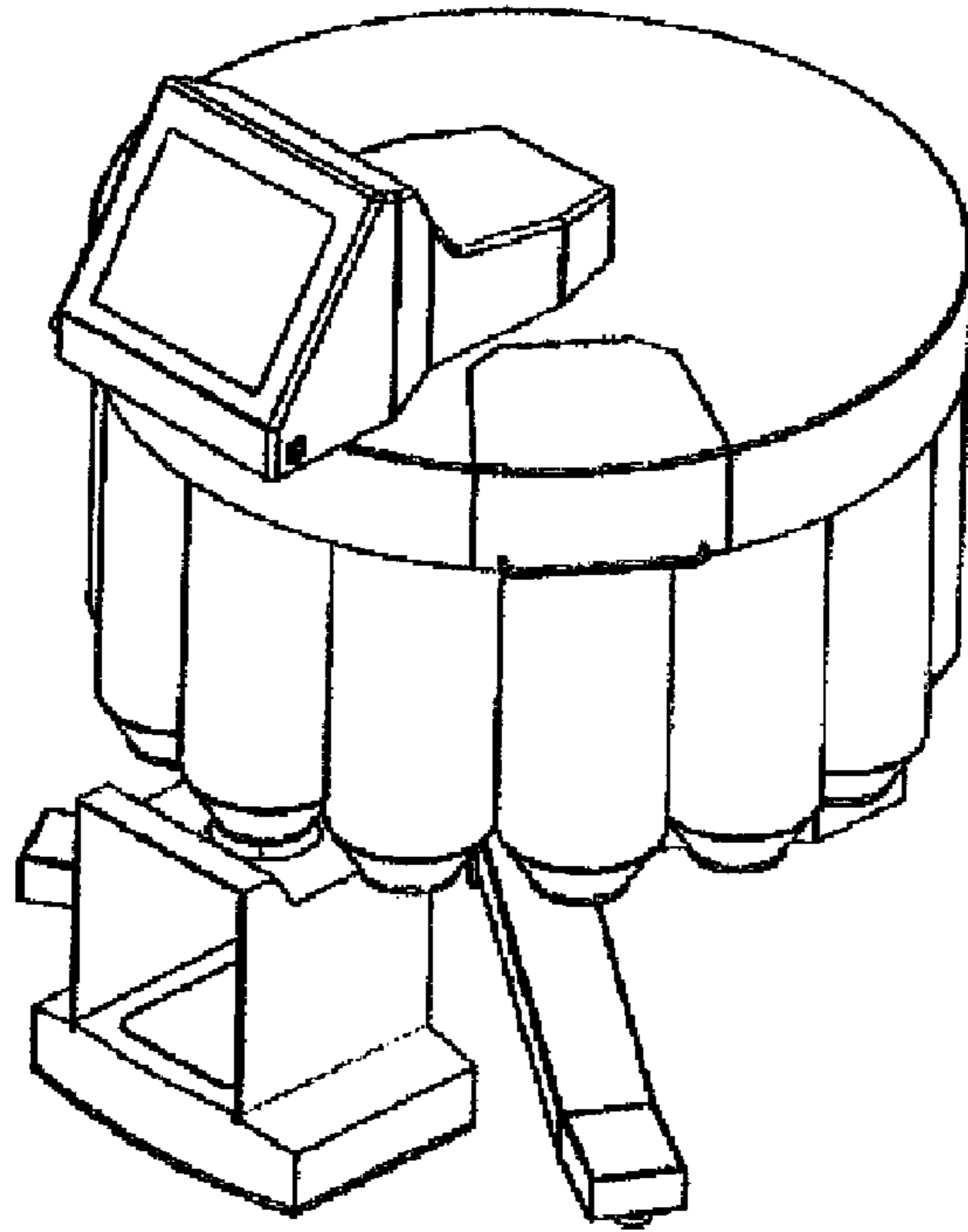


FIG. 1

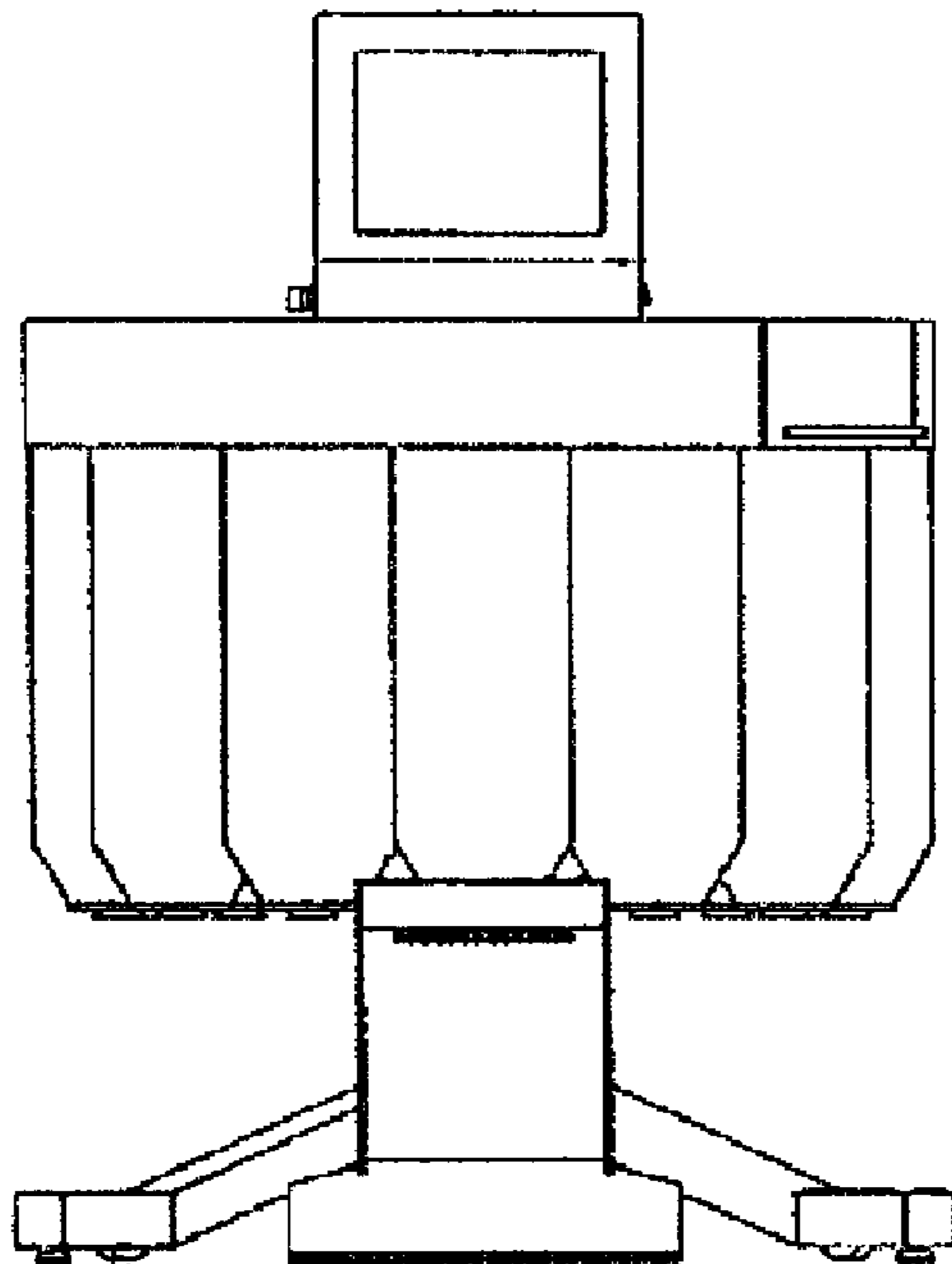


FIG. 2

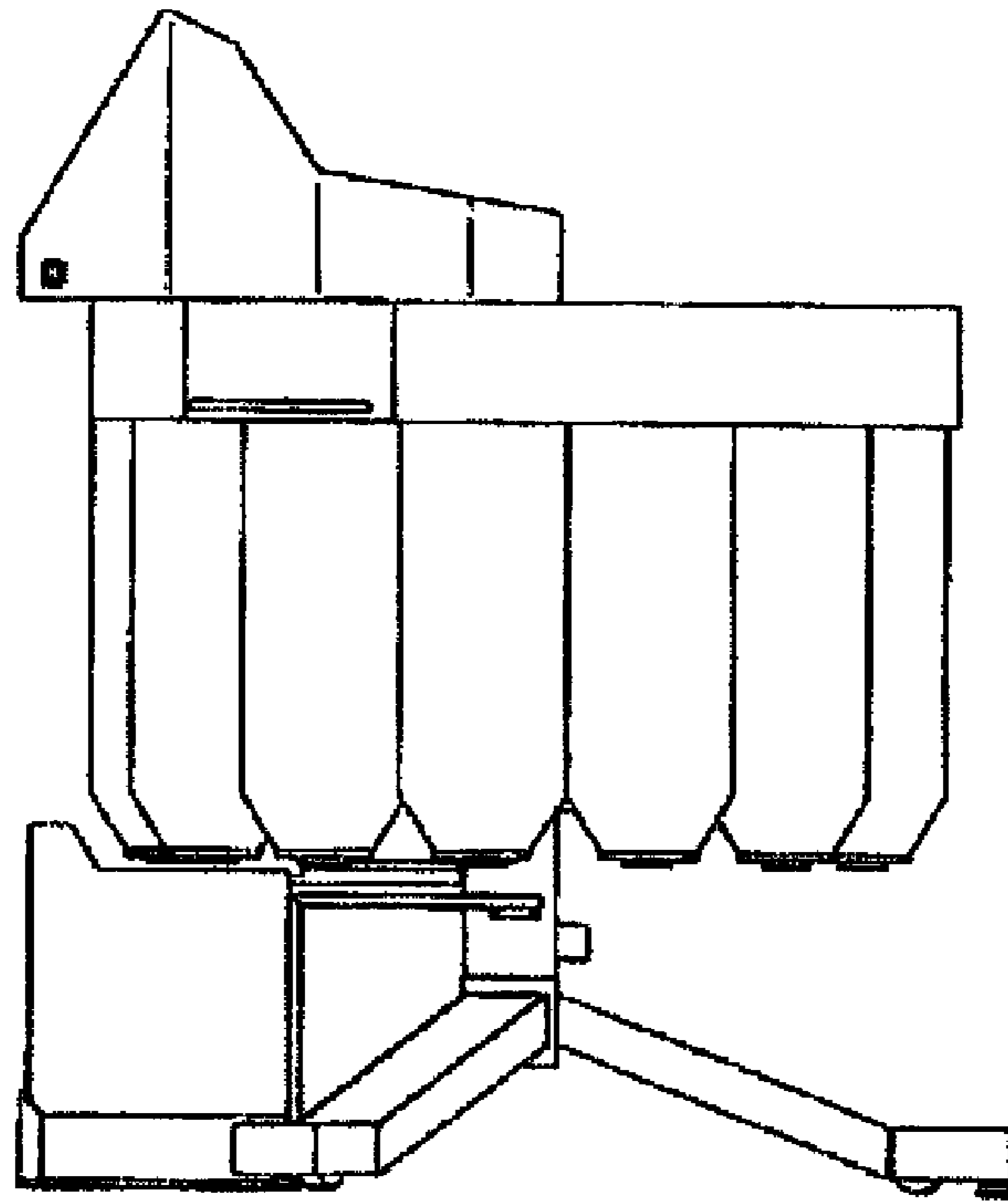


FIG. 3

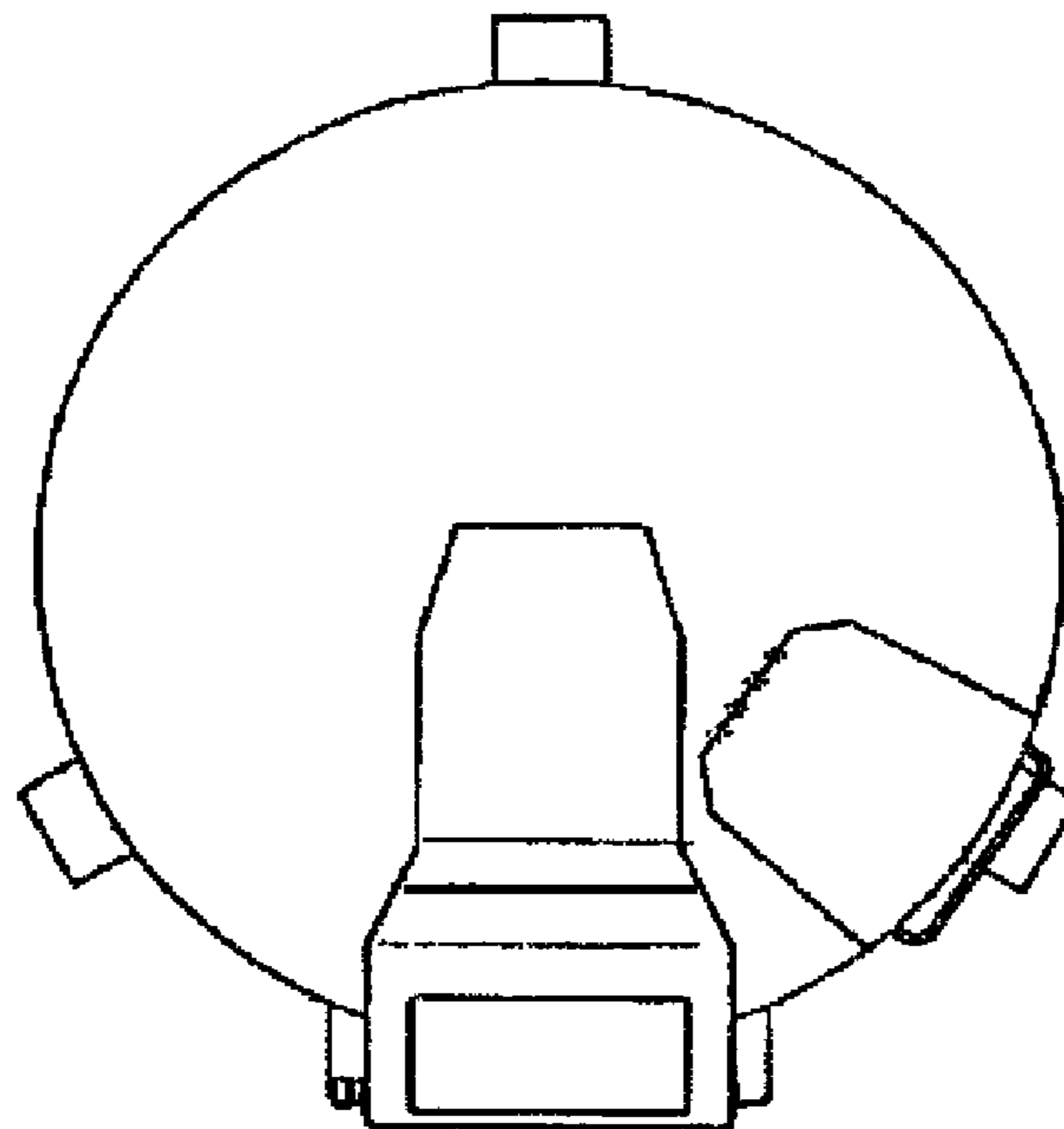


FIG. 4