



US00D639835S

(12) **United States Design Patent**  
**Martinez**

(10) **Patent No.:** **US D639,835 S**  
(45) **Date of Patent:** **\*\* Jun. 14, 2011**

(54) **ANGLE WELDING ADAPTER**

(76) Inventor: **Leo Martinez**, Buena Park, CA (US)

(\*\*) Term: **14 Years**

(21) Appl. No.: **29/370,791**

(22) Filed: **Sep. 7, 2010**

(51) **LOC (9) Cl.** ..... **15-09**

(52) **U.S. Cl.** ..... **D15/144**

(58) **Field of Classification Search** ..... D8/70,  
D8/71; D15/138, 144, 144.1, 144.2; 439/92,  
439/105, 106, 108, 682, 685-687, 690, 692,  
439/695, 696

See application file for complete search history.

(56) **References Cited**

**U.S. PATENT DOCUMENTS**

D30,781	S	*	5/1899	Burdick	.....	D15/144
3,825,720	A	*	7/1974	Zillinger, Jr.	.....	219/137.44
D255,318	S	*	6/1980	Bakkeren	.....	D15/144
4,824,382	A	*	4/1989	Ryan	.....	439/105
5,948,296	A	*	9/1999	Williams	.....	219/137.2
D456,828	S	*	5/2002	Aronson et al.	.....	D15/144
D492,709	S	*	7/2004	Horner-Richardson et al.	.....	D15/144

D549,255	S	*	8/2007	Axinte et al.	.....	D15/144
7,448,526	B2	*	11/2008	Haynie et al.	.....	228/2.1
2006/0032887	A1	*	2/2006	Haynie et al.	.....	228/2.1

**OTHER PUBLICATIONS**

Accessories for floor coverings, Leister Leaflet SRB/10.2001.  
Janser catalog 106, p. 48.  
LeisterFlyer Hot Jet, nozzles, Art. No. 125.682.  
WolffCatalog "Machines and Special Tools", p. 51.

\* cited by examiner

*Primary Examiner* — Patricia Palasik

(74) *Attorney, Agent, or Firm* — Charles H. Thomas

(57) **CLAIM**

The ornamental design for an angle welding adapter, as shown and described.

**DESCRIPTION**

FIG. 1 is a perspective view of my angle welding adapter;  
FIG. 2 is a top plan in view thereof;  
FIG. 3 is a rear elevational view thereof;  
FIG. 4 is a right side elevational view thereof, it being understood that the left side elevational view is a mirror image thereof;  
FIG. 5 is a front elevational view thereof;  
FIG. 6 is a bottom plan view thereof; and,  
FIG. 7 is a perspective view illustrating the manner of use of my invention.

**1 Claim, 3 Drawing Sheets**

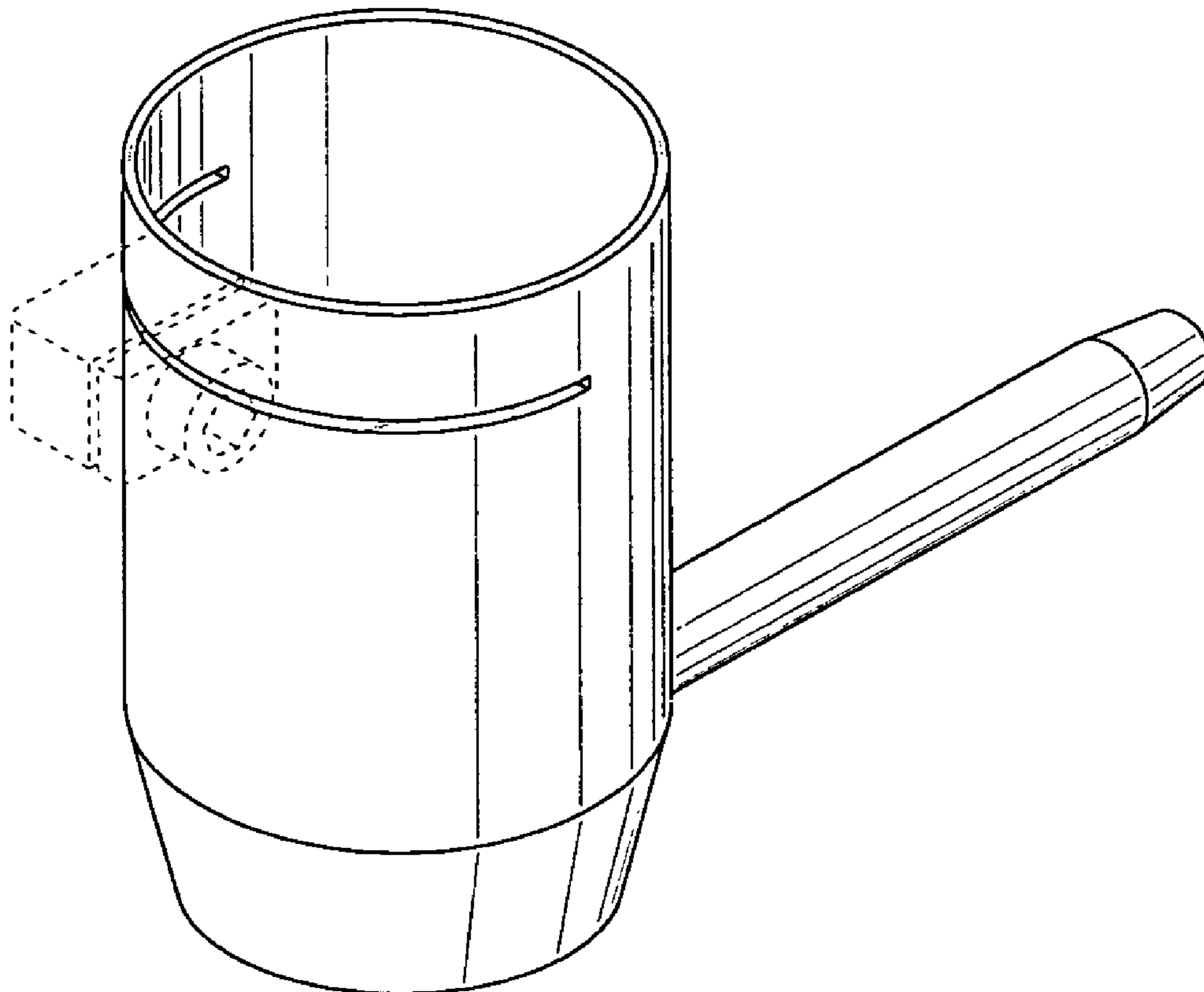
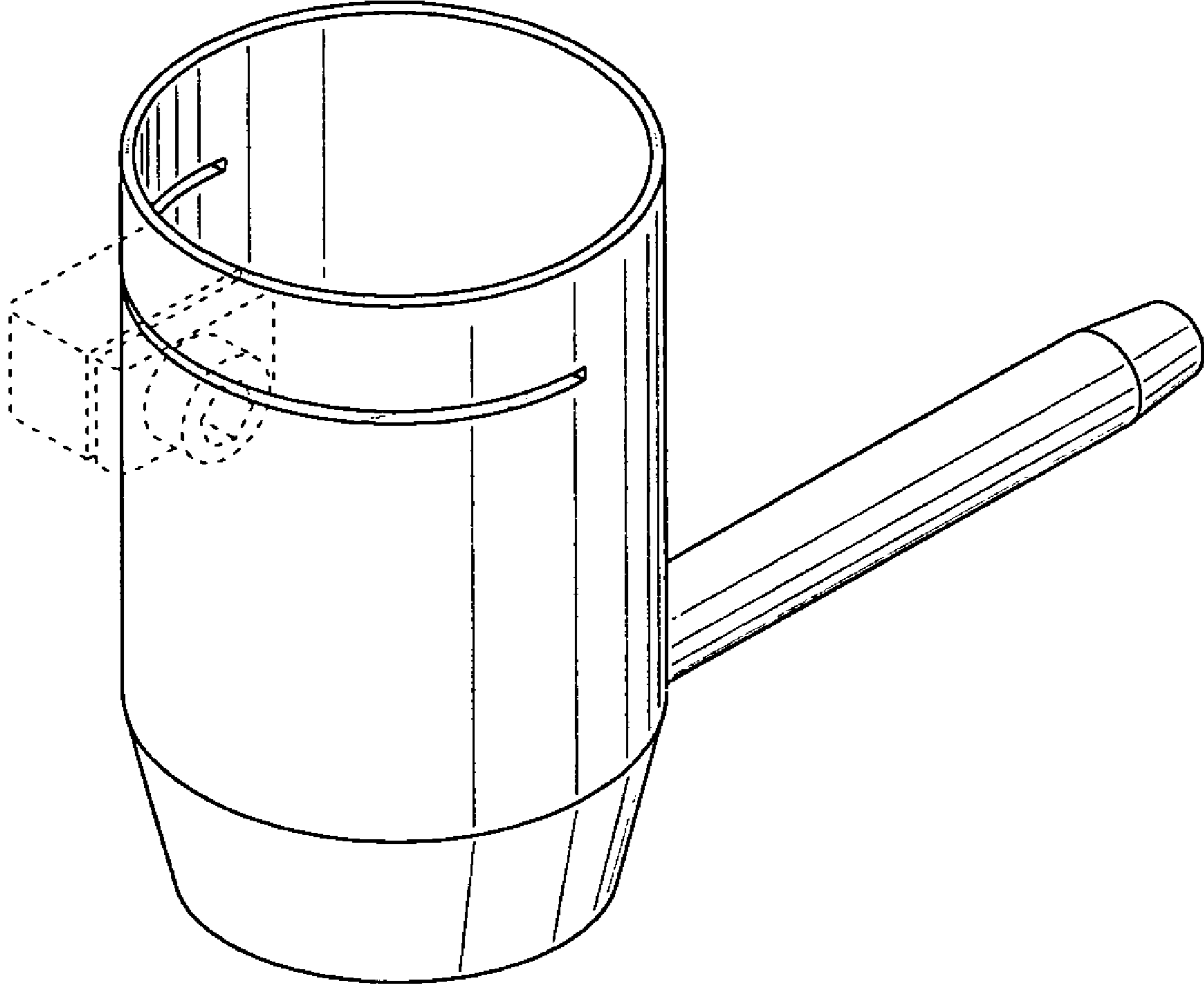


FIG. 1



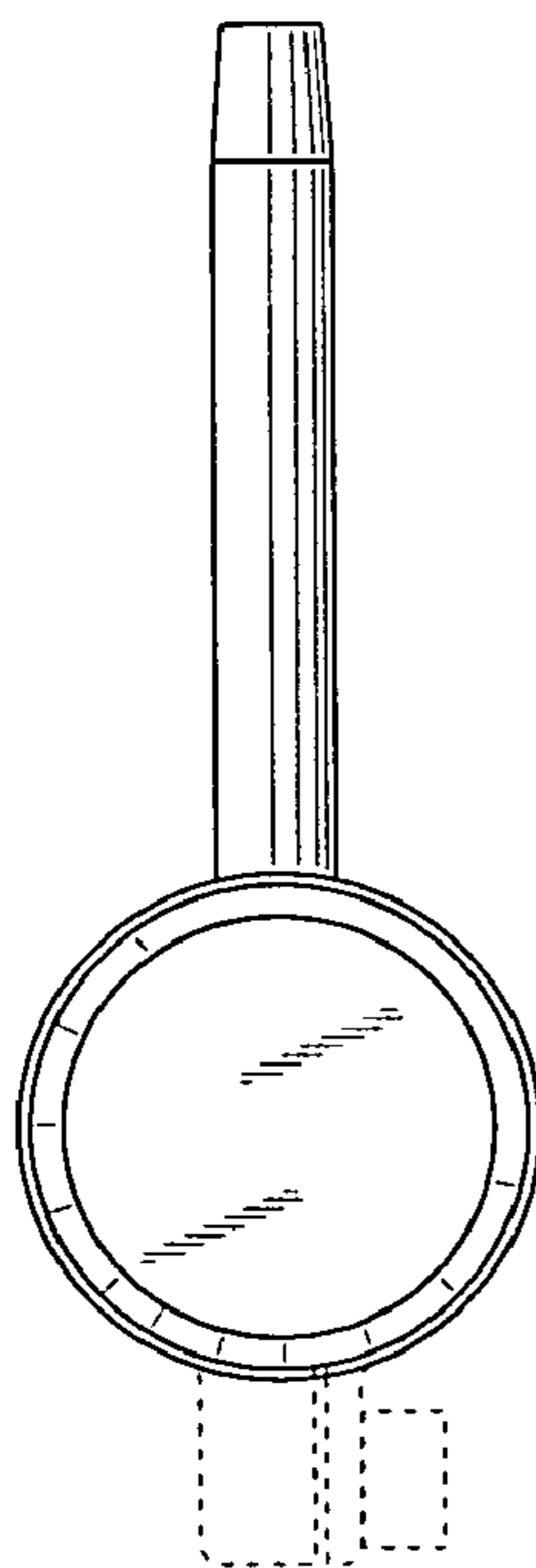


FIG. 2

FIG. 5

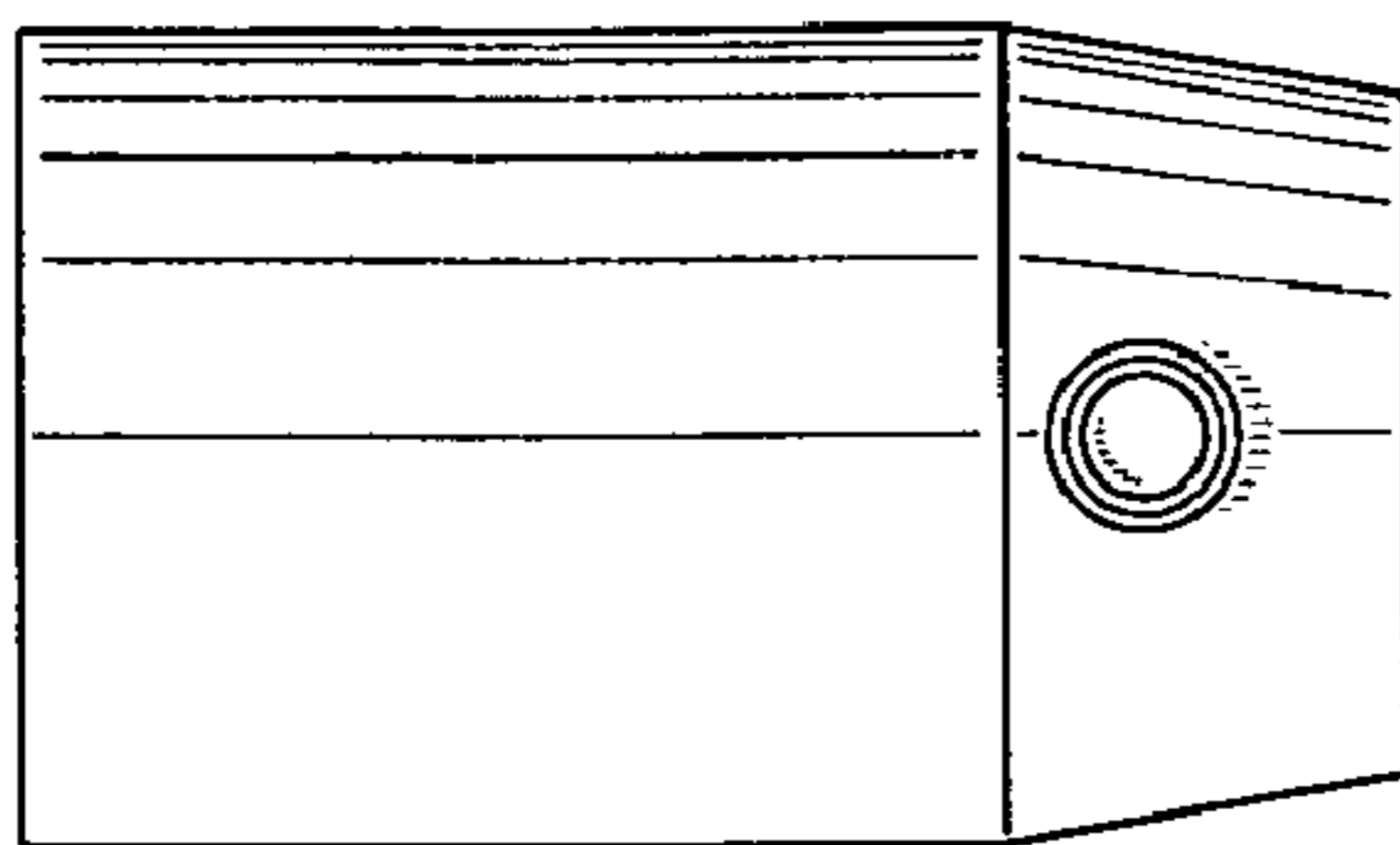


FIG. 4

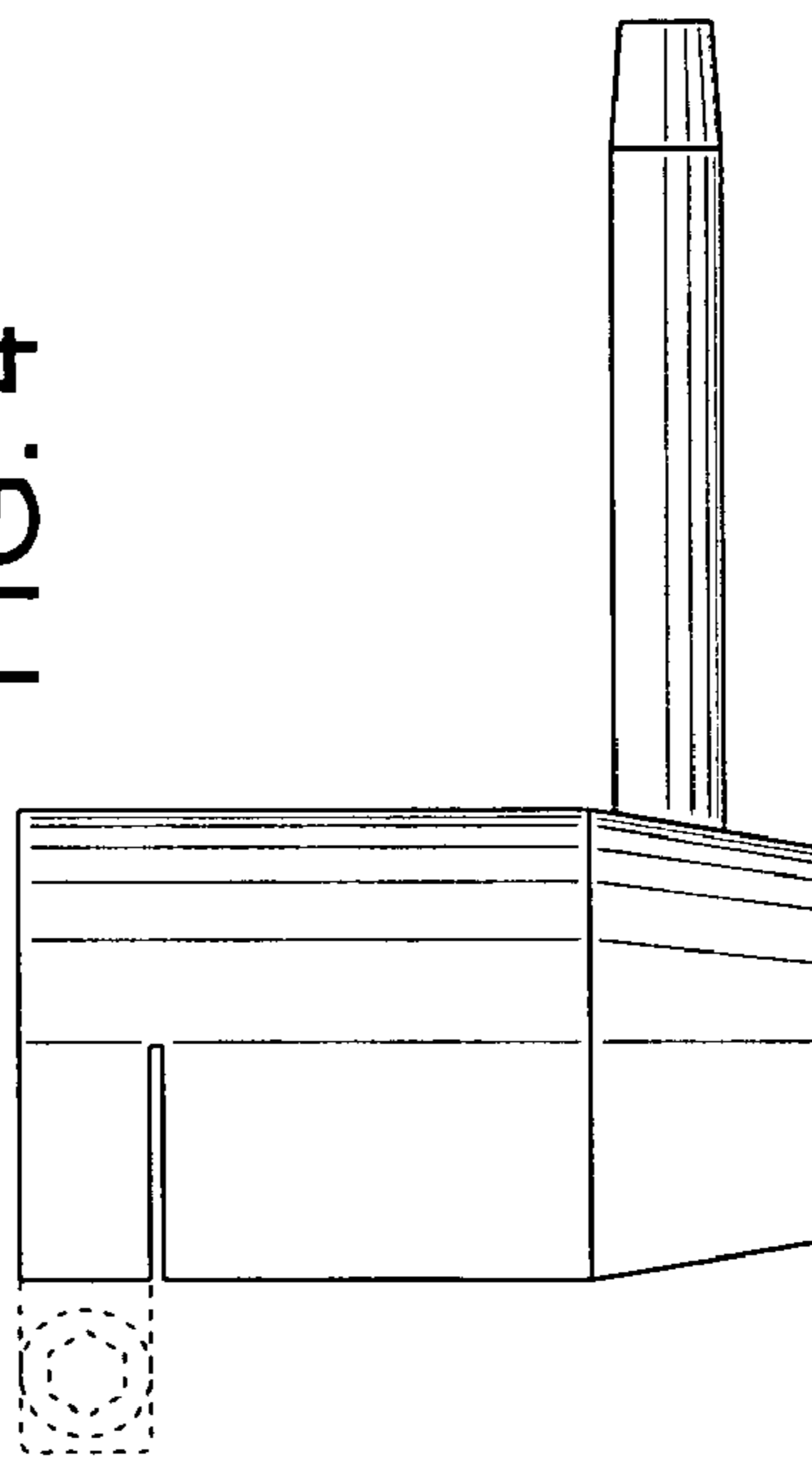


FIG. 3

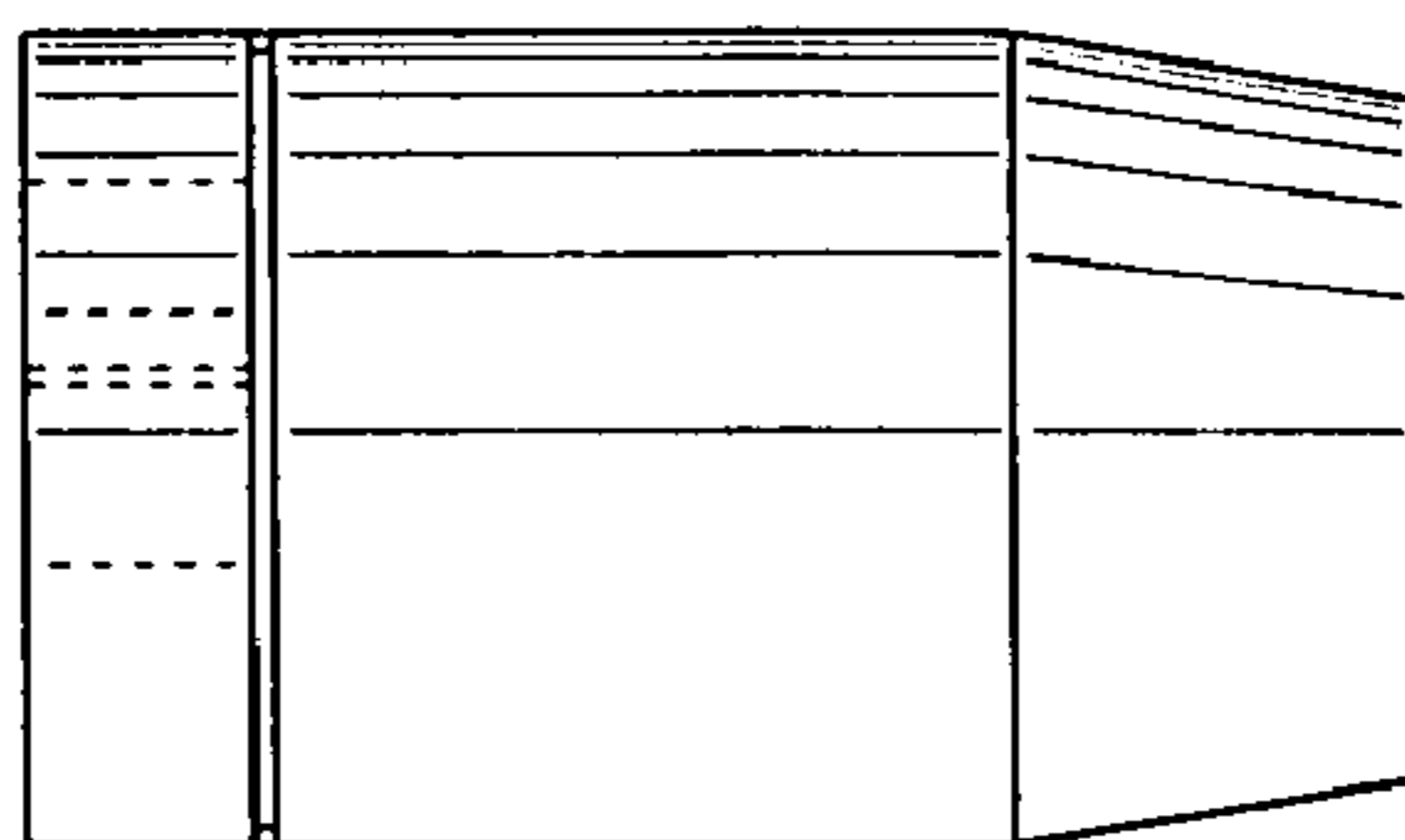
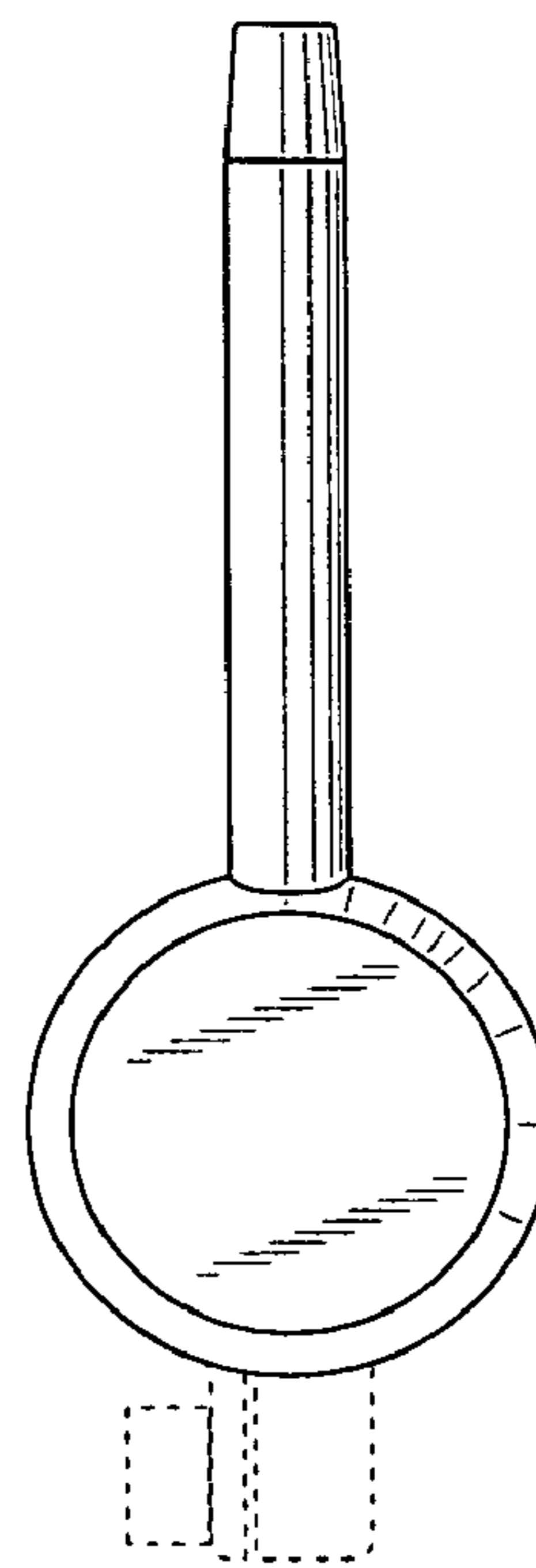


FIG. 6



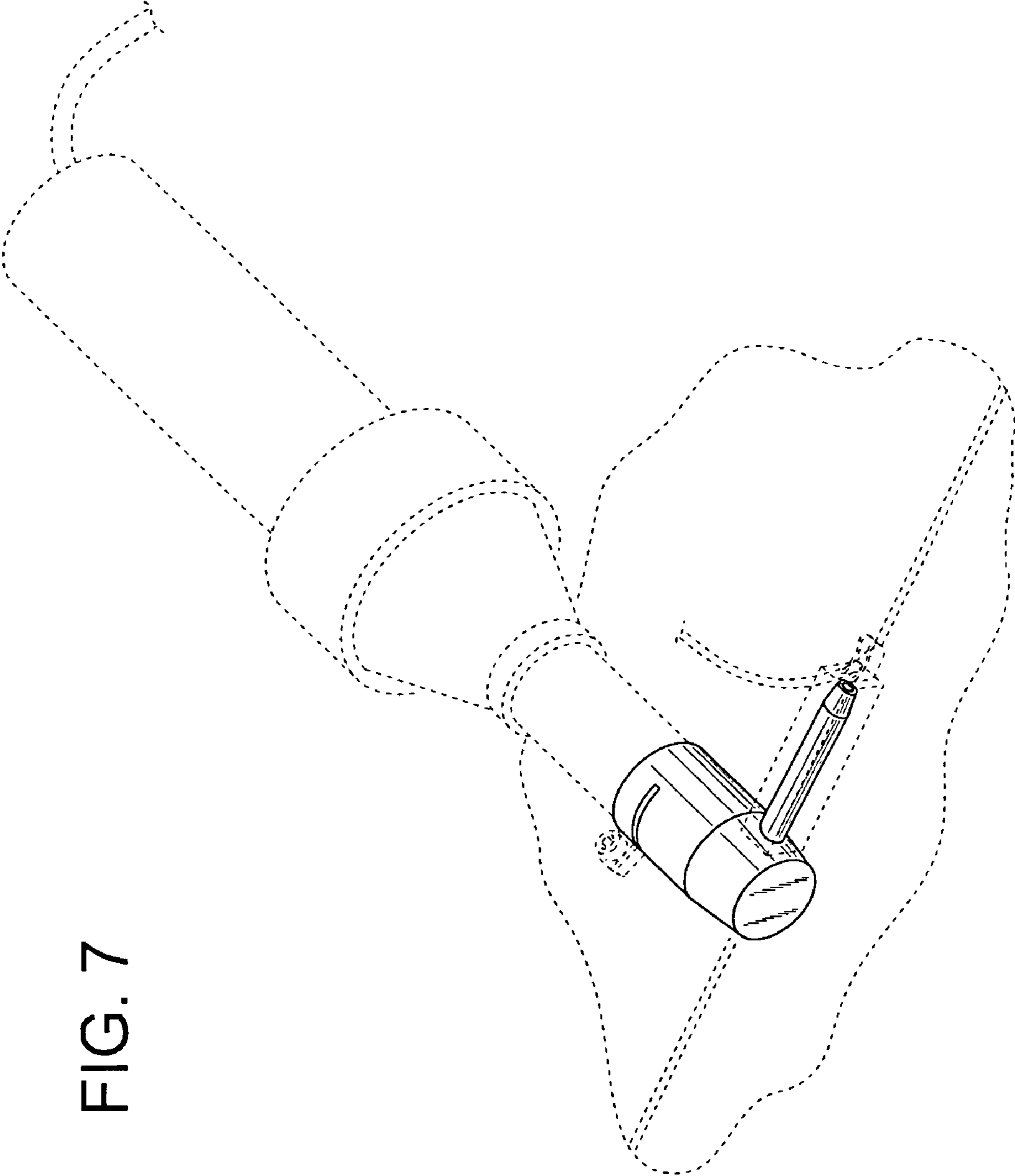


FIG. 7