



US00D639834S

(12) **United States Design Patent**  
**Christen et al.**

(10) **Patent No.:** **US D639,834 S**  
(45) **Date of Patent:** **\*\* Jun. 14, 2011**

(54) **HOT AIR NOZZLE**

(75) Inventors: **Peter Christen**, Kriens (CH); **Mauriz Lustenberger**, Kriens (CH)

(73) Assignee: **Leister Process Technologies**, Kagiswil (CH)

(\*\*) Term: **14 Years**

(21) Appl. No.: **29/352,929**

(22) Filed: **Dec. 30, 2009**

(30) **Foreign Application Priority Data**

Jul. 1, 2009 (EM) ..... 001566381

(51) **LOC (9) Cl.** ..... **15-09**

(52) **U.S. Cl.** ..... **D15/144**

(58) **Field of Classification Search** ..... D32/31-34;  
15/414-422.1, 236.04, 144.4, 144.3, 406,  
15/104.05, 383, 377, 412, 400-402, 387,  
15/322, 344; D15/144, 144.2; 156/497,  
156/499, 82, 544, 574; 239/592

See application file for complete search history.

(56) **References Cited**

U.S. PATENT DOCUMENTS

2,027,544 A \* 1/1936 Lofgren ..... 15/420  
2,629,126 A \* 2/1953 Brown, Jr. .... 15/402

5,935,357 A \* 8/1999 Hubbard et al. .... 156/82  
6,038,732 A \* 3/2000 McKnight et al. .... 15/414  
6,149,762 A \* 11/2000 Kobzan ..... 156/497  
6,187,122 B1 \* 2/2001 Hubbard et al. .... 156/82  
D594,612 S 6/2009 Umeda  
7,571,753 B2 \* 8/2009 Martinez ..... 156/497  
D621,430 S \* 8/2010 Christen et al. .... D15/144  
7,866,360 B2 \* 1/2011 Gisler et al. .... 156/499  
2009/0193615 A1 \* 8/2009 Nguyen ..... 15/415.1  
2010/0037425 A1 \* 2/2010 Genn ..... 15/414

\* cited by examiner

*Primary Examiner* — Ruth McInroy

(74) *Attorney, Agent, or Firm* — Bachman & LaPointe, P.C.

(57) **CLAIM**

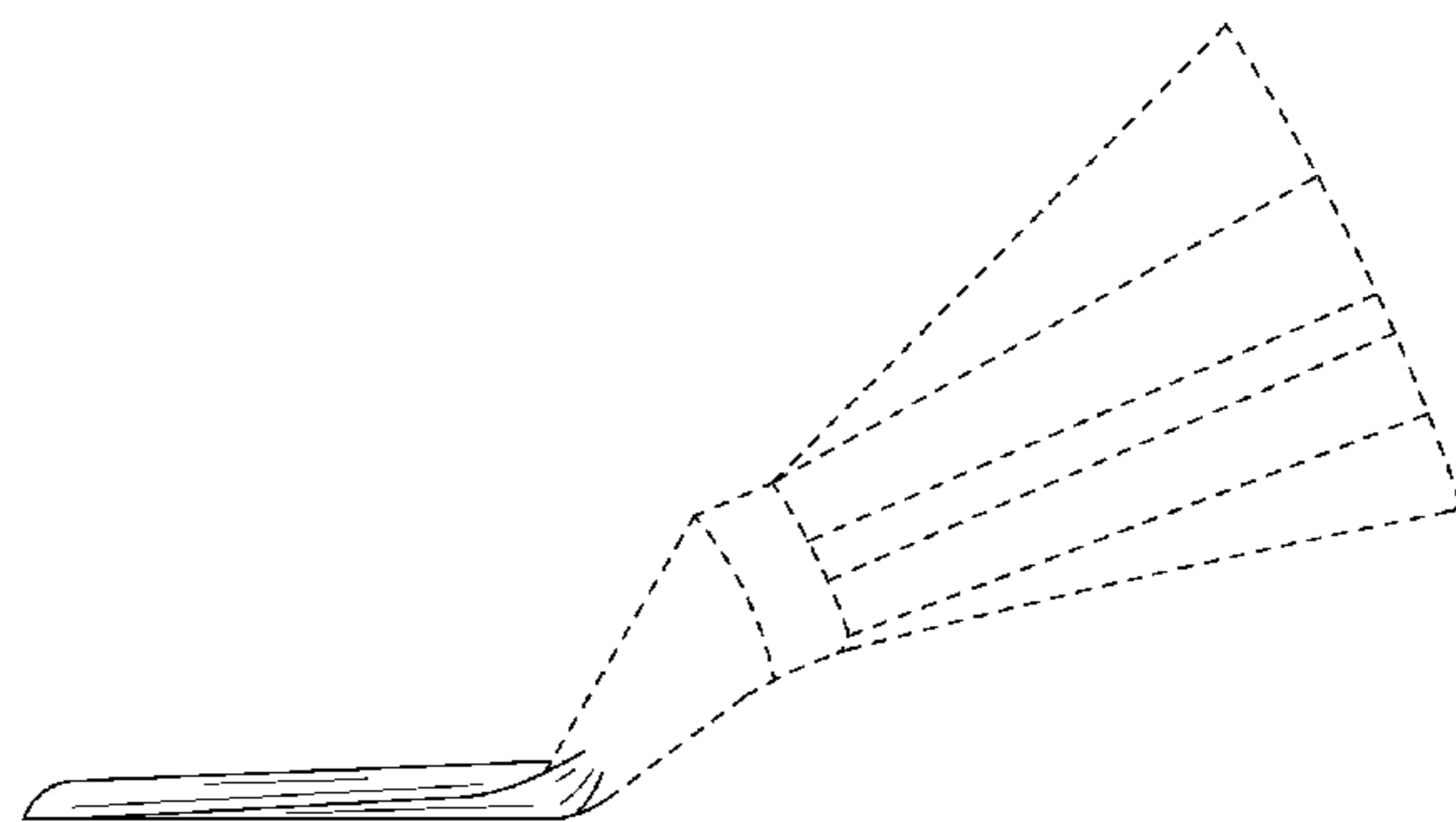
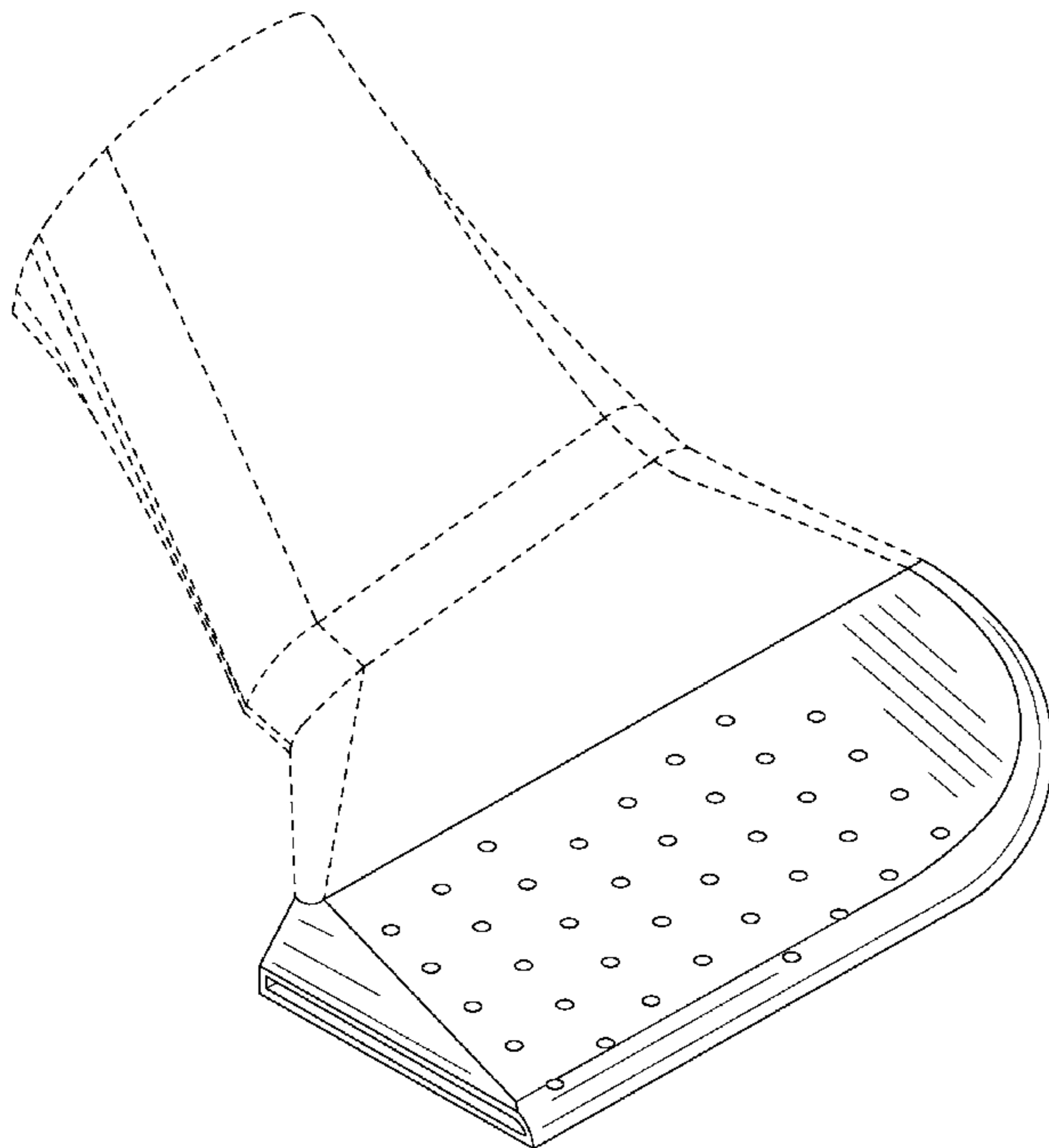
The ornamental design for a hot air nozzle, as shown and described.

**DESCRIPTION**

FIG. 1 is a top perspective view of a hot air nozzle showing our new design;  
FIG. 2 is a bottom perspective view thereof;  
FIG. 3 is a right side view thereof;  
FIG. 4 is a left side view thereof;  
FIG. 5 is a front view thereof;  
FIG. 6 is a bottom view thereof; and,  
FIG. 7 is a top view thereof.

The details shown in broken lines form no part of the claimed design.

**1 Claim, 7 Drawing Sheets**



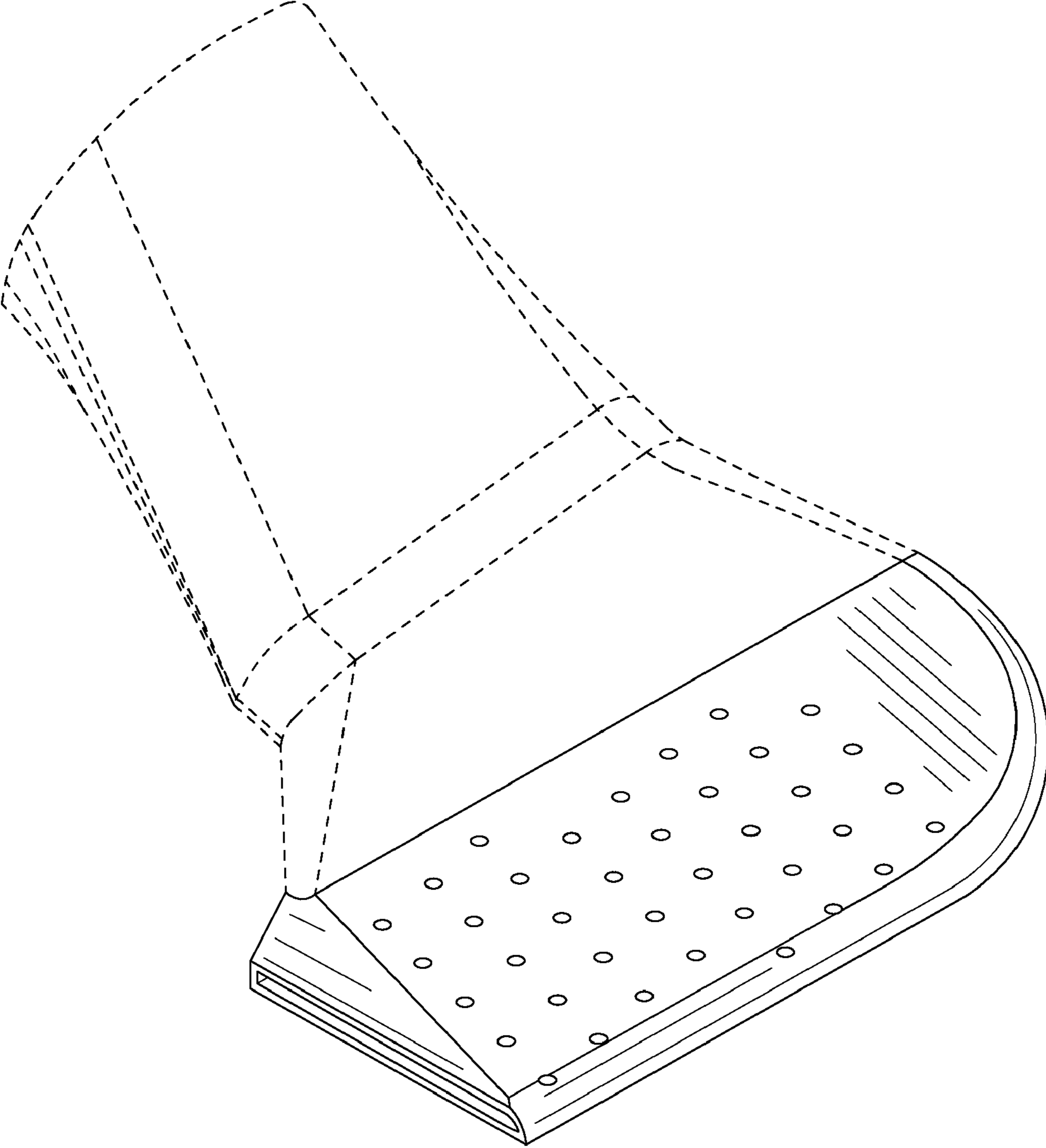
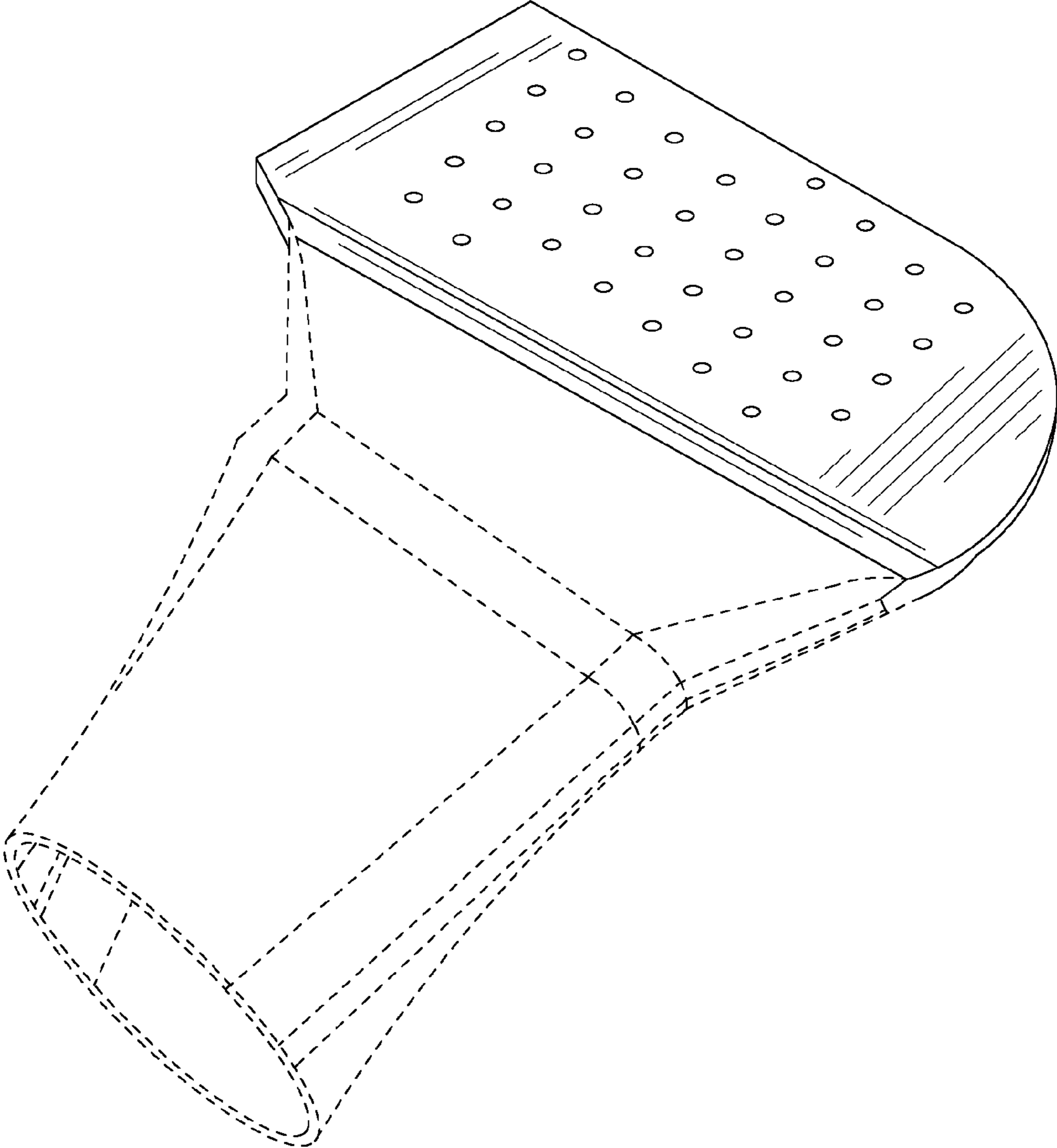
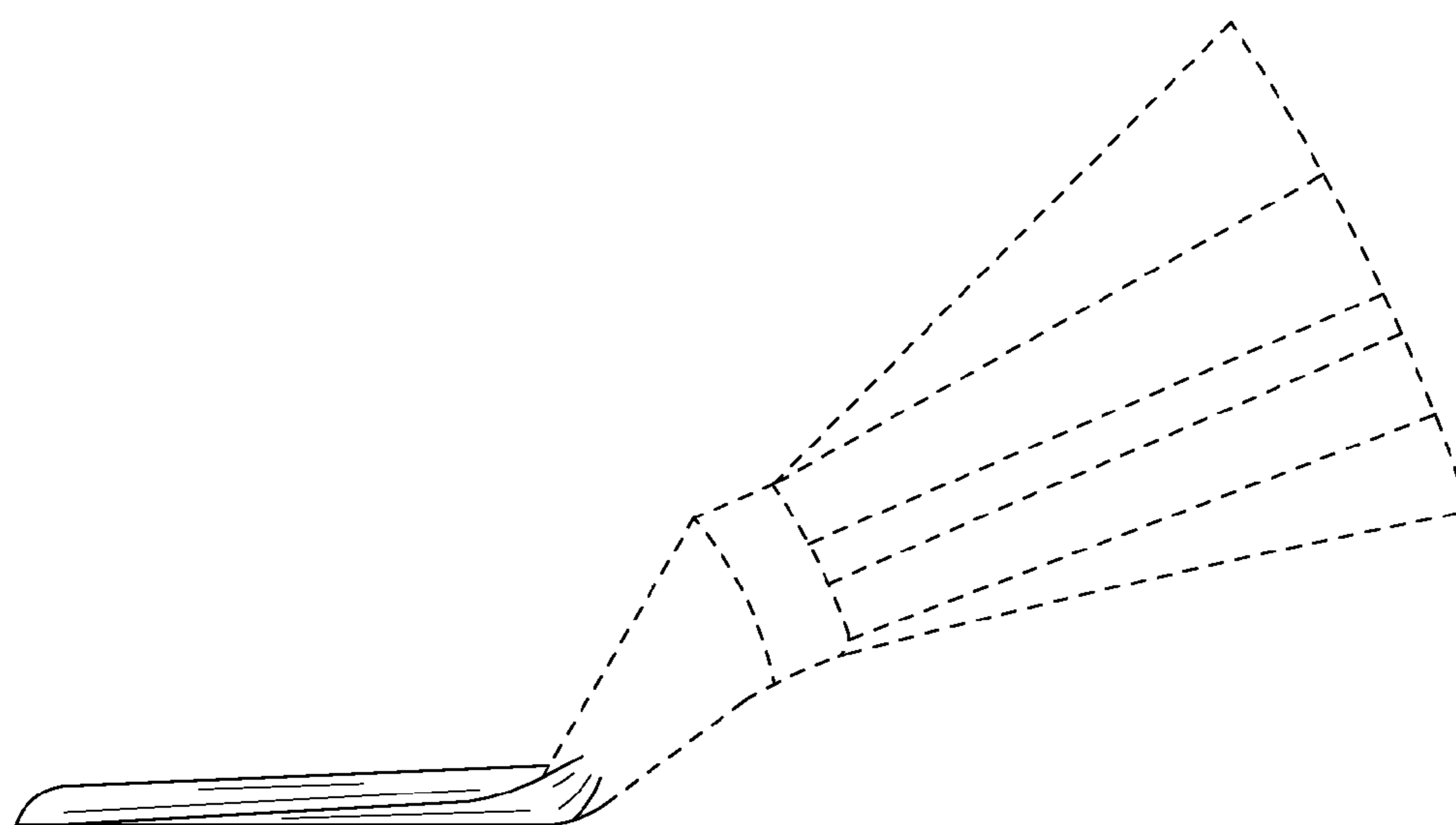


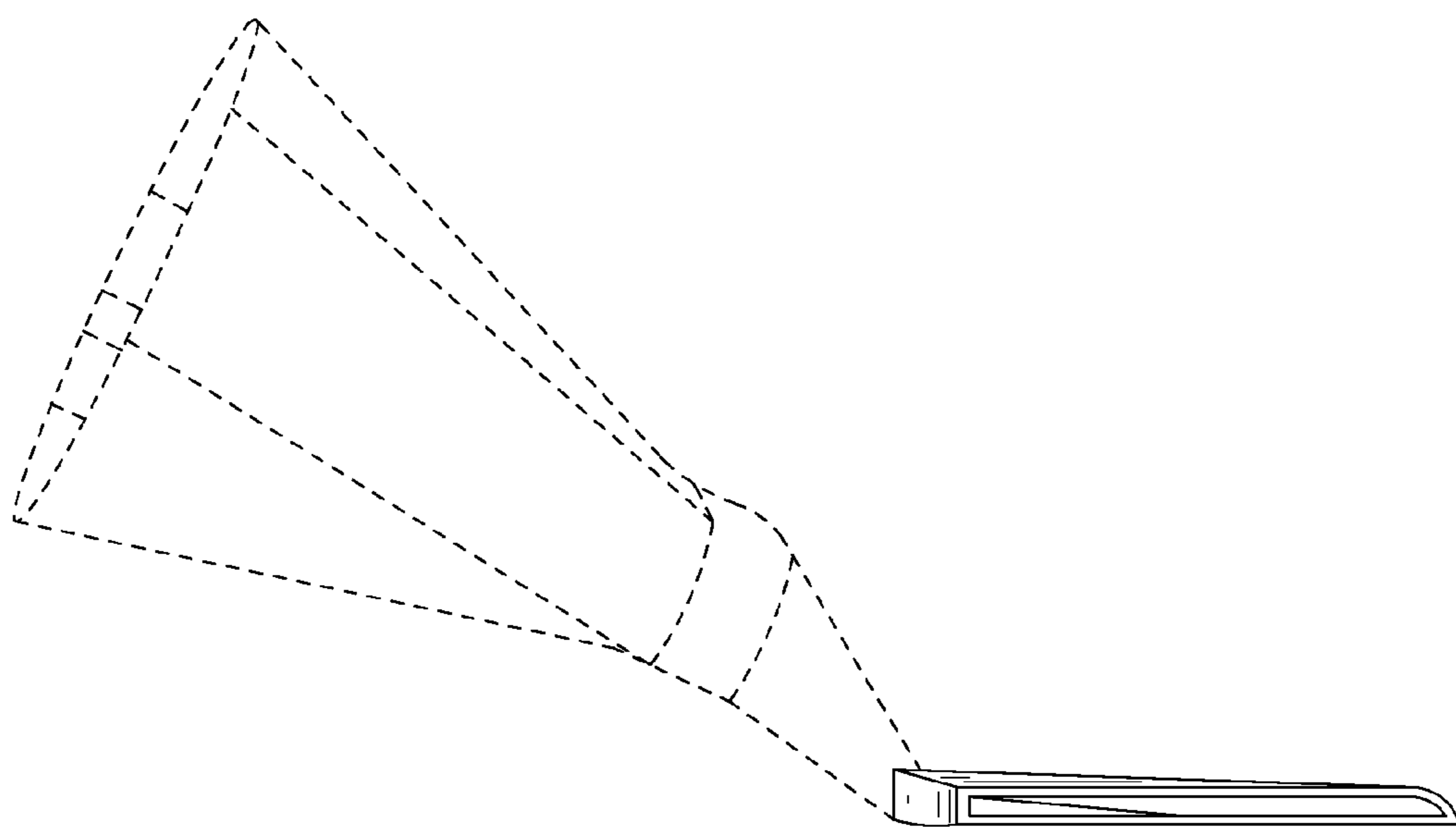
FIG. 1



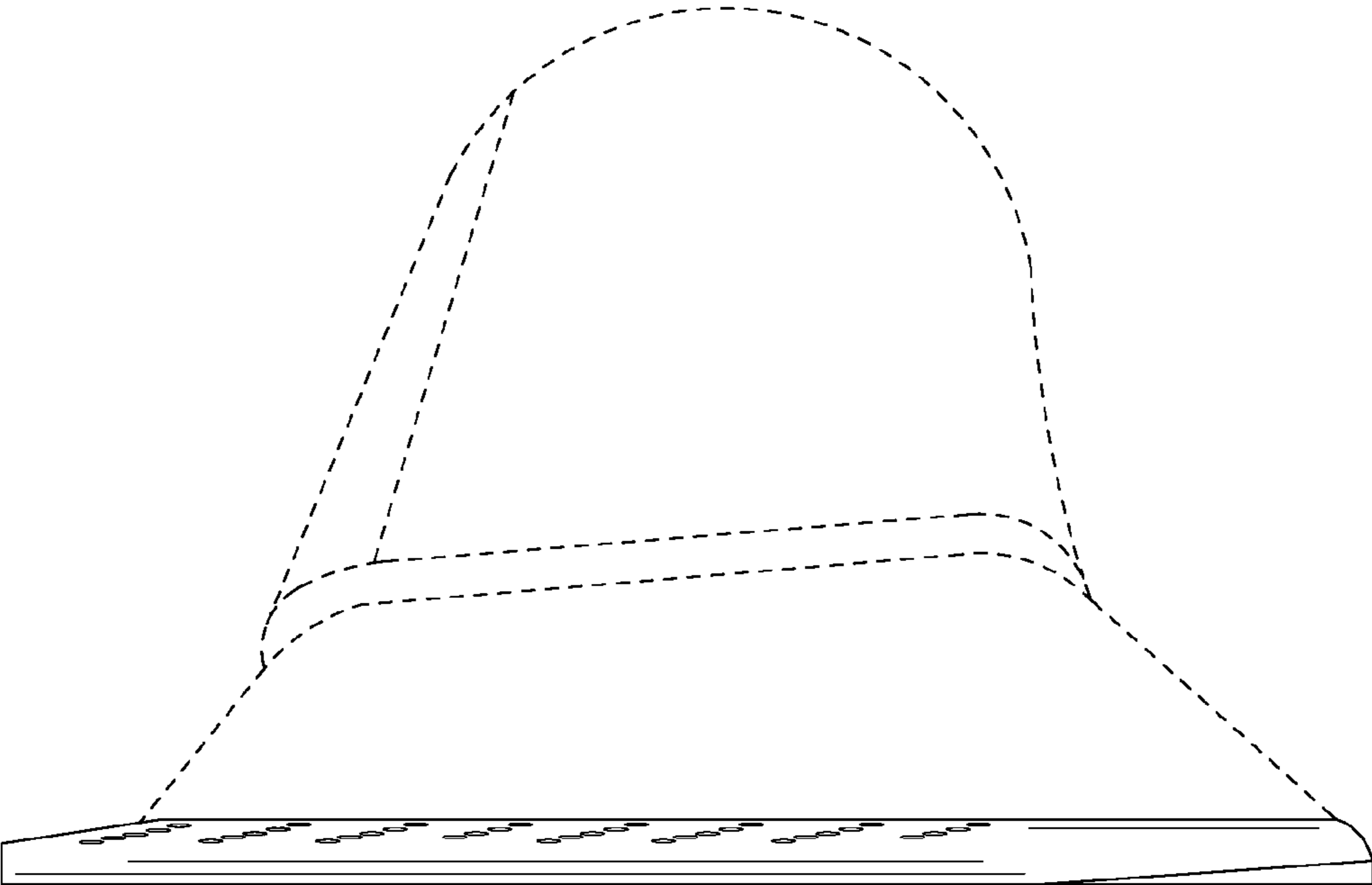
**FIG. 2**



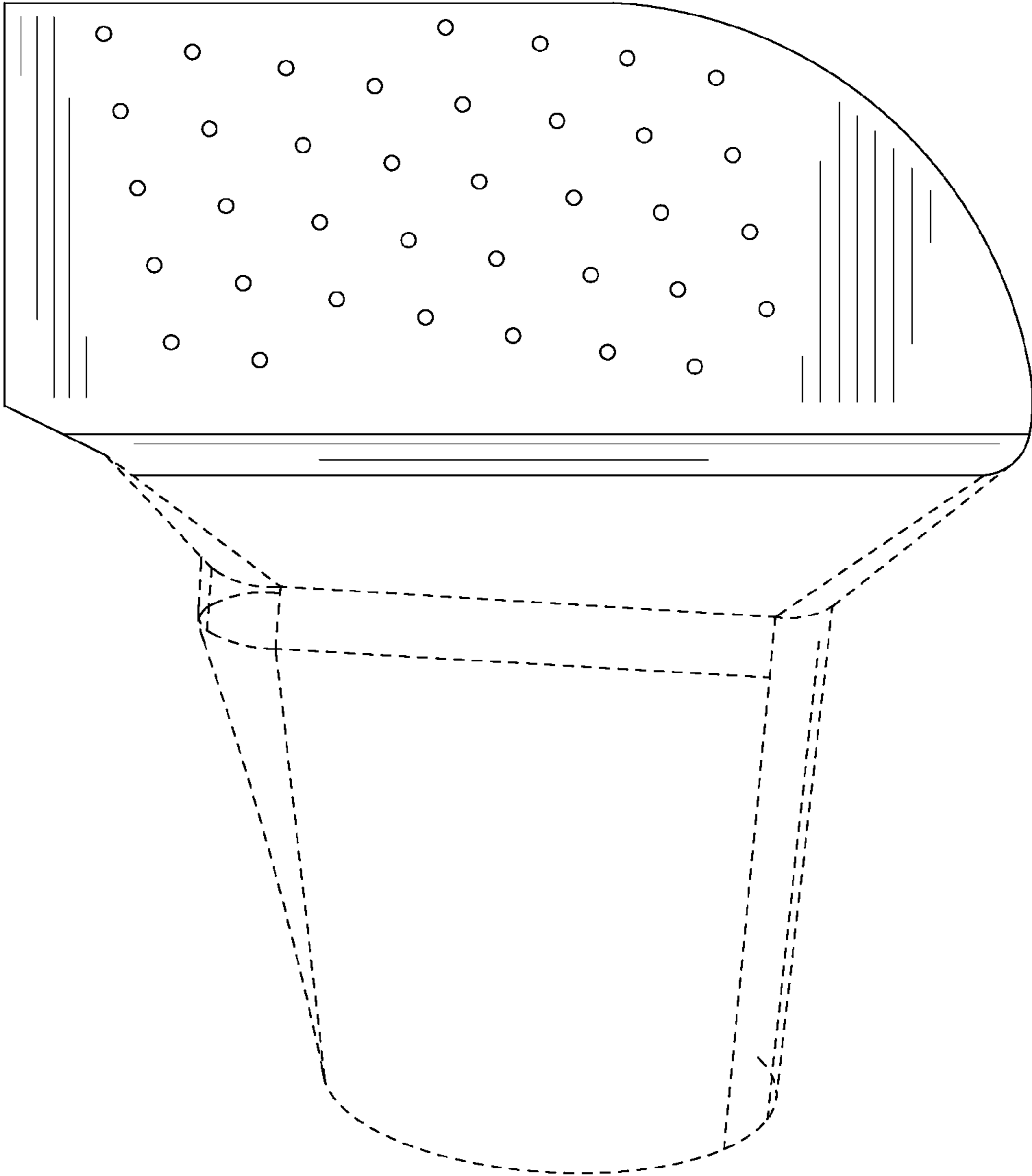
**FIG. 3**



**FIG. 4**



**FIG. 5**



**FIG. 6**

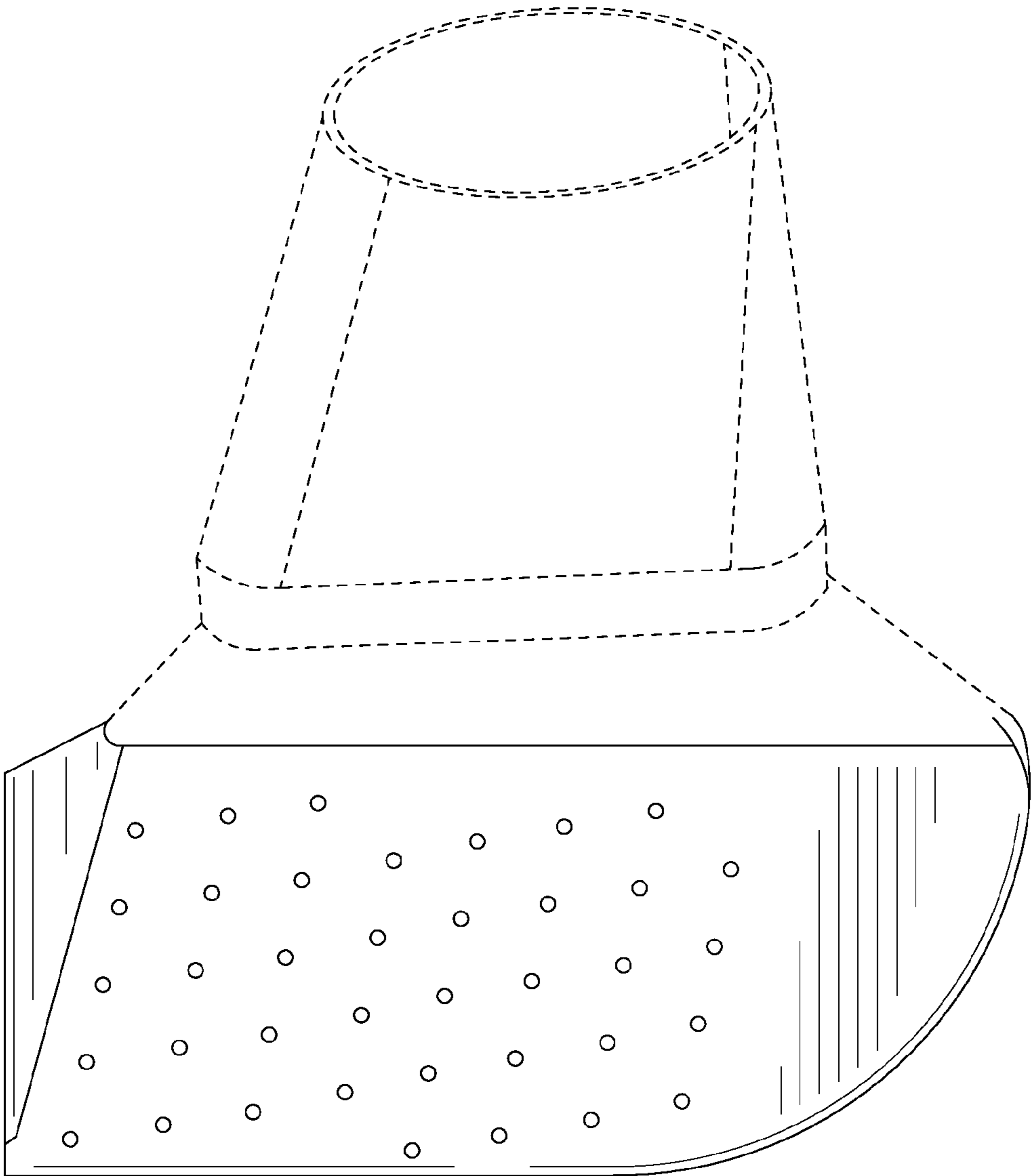


FIG. 7