



US00D639829S

(12) **United States Design Patent**
Saunders

(10) **Patent No.:** **US D639,829 S**
(45) **Date of Patent:** **** Jun. 14, 2011**

(54) **TAPERED SHOULDER TENON CUTTER**

FOREIGN PATENT DOCUMENTS

(75) Inventor: **Terry R. Saunders**, North Gower (CA)

CH 133531 6/1929
(Continued)

(73) Assignee: **Lee Valley Tools, Ltd.**, Ottawa, Ontario (CA)

OTHER PUBLICATIONS

(**) Term: **14 Years**

“Process,” Old Hickory, Shelbyville, TN, <http://www.web.archive.org/web/19981205063738/http://www.oldhickory.com/process/index.html>, Dec. 1998.

(21) Appl. No.: **29/350,277**

(Continued)

(22) Filed: **Nov. 13, 2009**

(51) **LOC (9) Cl.** **15-09**

(52) **U.S. Cl.** **D15/139**

(58) **Field of Classification Search** D8/70,
D8/71; D15/130, 138, 139, 140; 30/495,
30/500; 33/542, 634; 142/45; 144/18, 106,
144/198.1, 287; 269/85, 87.2, 87.3; 408/1 R,
408/115 R, 203.5, 226

Primary Examiner — Patricia Palasik

(74) *Attorney, Agent, or Firm* — Kilpatrick Townsend & Stockton LLP; John S. Pratt; Camilla C. Williams

See application file for complete search history.

(57) **CLAIM**

The ornamental design for a tapered shoulder tenon cutter, as shown and described.

(56) **References Cited**

U.S. PATENT DOCUMENTS

2,734 A	7/1842	Briggs
11,347 A	7/1854	Bailey et al.
11,349 A	7/1854	Bailey et al.
15,530 A	8/1856	Smith
17,175 A	4/1857	Stevens
60,985 A	1/1867	Young
76,205 A	3/1868	Kraus
101,315 A	3/1870	Sanders
106,919 A	8/1870	Cushman
117,786 A	8/1871	Kniffen
139,028 A	5/1873	Smiley et al.
151,828 A	6/1874	Benham
166,674 A	8/1875	Wood
213,413 A	3/1879	Gregory
220,442 A	10/1879	Stearns
225,496 A	3/1880	Stearns
271,753 A	2/1883	Whitsett
272,073 A	2/1883	Miles
350,394 A	10/1886	Ranney
352,721 A	11/1886	Traut
353,761 A	12/1886	Rush

(Continued)

DESCRIPTION

FIG. 1 is a perspective view of a tapered shoulder tenon cutter, showing my new design.

FIG. 2 is a front elevation view (showing the shoulder-cutting blade) of the tapered shoulder tenon cutter of FIG. 1.

FIG. 3 is a right side elevation view of the tapered shoulder tenon cutter of FIG. 1.

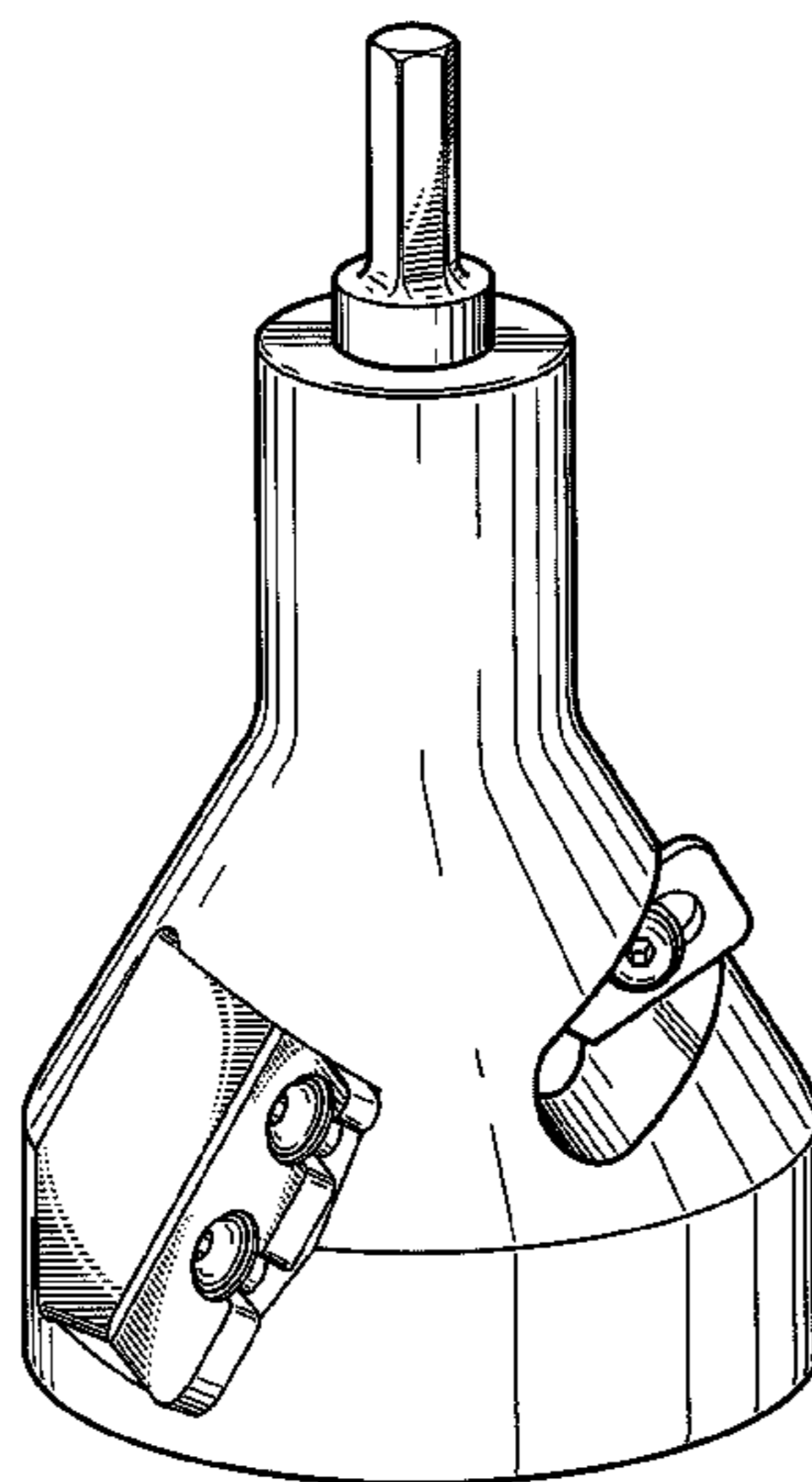
FIG. 4 is a rear elevation view (showing the second blade) of the tapered shoulder tenon cutter of FIG. 1.

FIG. 5 is a top plan (or tool securing end) view of the tapered shoulder tenon cutter of FIG. 1; and,

FIG. 6 is a bottom plan (or working end) view of the tapered shoulder tenon cutter of FIG. 1.

Portions or features of the tapered shoulder tenon cutter not shown in the drawings form no part of the claimed design.

1 Claim, 3 Drawing Sheets



US D639,829 S

U.S. PATENT DOCUMENTS

362,638	A	5/1887	Laycock	
374,773	A	12/1887	Bradford	
473,231	A	4/1892	Leffel	
475,560	A	5/1892	Heydenreich	
476,312	A	6/1892	Resche	
481,469	A	8/1892	Bruner	
539,954	A	5/1895	Kay	
617,441	A	1/1899	Kelly	
619,159	A	2/1899	Fosby	
622,794	A	4/1899	Brodhage	
690,338	A	12/1901	Wood	
887,148	A	5/1908	Tannewitz	
896,579	A	8/1908	Richmond	
1,029,503	A	6/1912	Lumello	
1,494,897	A	5/1924	Freye	
1,538,987	A	5/1925	Gulholm	
1,694,685	A	12/1928	Hein	
1,744,697	A	1/1930	Granger	
1,750,394	A	3/1930	Dumont	
2,000,789	A	5/1935	Reis	
2,027,139	A	1/1936	Abramson et al.	
2,049,685	A	8/1936	Brown	
2,062,257	A	11/1936	Douglas et al.	
2,167,082	A *	7/1939	Morris	144/198.1
2,529,018	A	11/1950	Hancharik	
2,549,141	A	4/1951	Taylor	
2,597,099	A	5/1952	Hayhurst	
2,681,086	A	6/1954	Degen	
2,748,817	A	6/1956	Stearns	
2,764,187	A	9/1956	Zemrowski	
2,978,002	A	4/1961	Ransom	
3,053,118	A	9/1962	Lavallee	
3,118,476	A	1/1964	Fiore	
3,130,763	A	4/1964	Schlosser et al.	
3,229,731	A	1/1966	Hilton	
3,234,974	A	2/1966	Ray	
3,244,035	A	4/1966	Jehle et al.	
3,277,932	A	10/1966	Rouse	
D222,390	S *	10/1971	Pinette	D15/139
3,973,862	A	8/1976	Segal	
4,077,737	A	3/1978	Morse	
4,295,763	A	10/1981	Cunniff	
4,325,664	A *	4/1982	Mori	409/234
4,452,554	A	6/1984	Hougen	
4,460,532	A	7/1984	Cornell	
4,553,575	A	11/1985	Brown	
4,573,838	A	3/1986	Omi et al.	
4,595,321	A	6/1986	Van Dalen	
4,630,660	A	12/1986	McGuire	
4,758,120	A	7/1988	Bijl	
4,767,244	A	8/1988	Peterson	

4,767,245	A	8/1988	Shoji et al.	
4,768,903	A	9/1988	Merritt, Jr.	
4,770,215	A	9/1988	Hsieh	
4,798,503	A	1/1989	Huju	
5,025,842	A	6/1991	Brimhall	
5,127,452	A	7/1992	Wilston	
5,213,456	A	5/1993	Lee	
5,353,507	A	10/1994	Lee et al.	
5,401,125	A	3/1995	Sevack et al.	
5,503,200	A	4/1996	Lea	
D379,420	S *	5/1997	Standlee et al.	D8/70
5,645,117	A	7/1997	Wirth, Jr. et al.	
6,004,082	A	12/1999	Ruhimann et al.	
6,099,211	A	8/2000	Lee et al.	
6,263,929	B1	7/2001	Aziz et al.	
7,313,992	B2	1/2008	Hall	
D597,571	S *	8/2009	Darr	D15/139

FOREIGN PATENT DOCUMENTS

DE	293770	3/1915
EP	313237	4/1989
FR	1040092	10/1953
FR	2535635	5/1984
GB	3726	0/1869
GB	15652	0/1892
GB	557335	11/1943
JP	96710	6/1982
JP	154709	6/1993
SE	81021	7/1934
SU	369980	4/1973
SU	1159724	6/1985
SU	1766653	10/1992

OTHER PUBLICATIONS

Jack Hill's Country Chair Making by Jack Hill (Sterling 1998) pp. 28 and 29.

Operating Instructions from Woodcraft Supply Corp. for German dowel maker, series 14L22, which was sold in the United States prior to Mar. 3, 1997, together with seven (7) photographs.

Seven (7) photographs of antique Stanley No. 77 Dowel Making machine, including cutter head, cutter or blade.

Two (2) photographs of an antique tenon-former with funnel-shaped workpiece receiving structure.

Two (2) photographs of an antique adjustable diameter tenon-former.

Trend Routing Technology Catalog, p. 43.

Catalog *Woodworkers Supply, Inc.* (Aug. 1993).

Tool and Manufacturing Engineers Handbook, Fourth Edition, vol. 1, Machining, Society of Manufacturing Engineers, 1983, chapter 9, pp. 14-15.

* cited by examiner

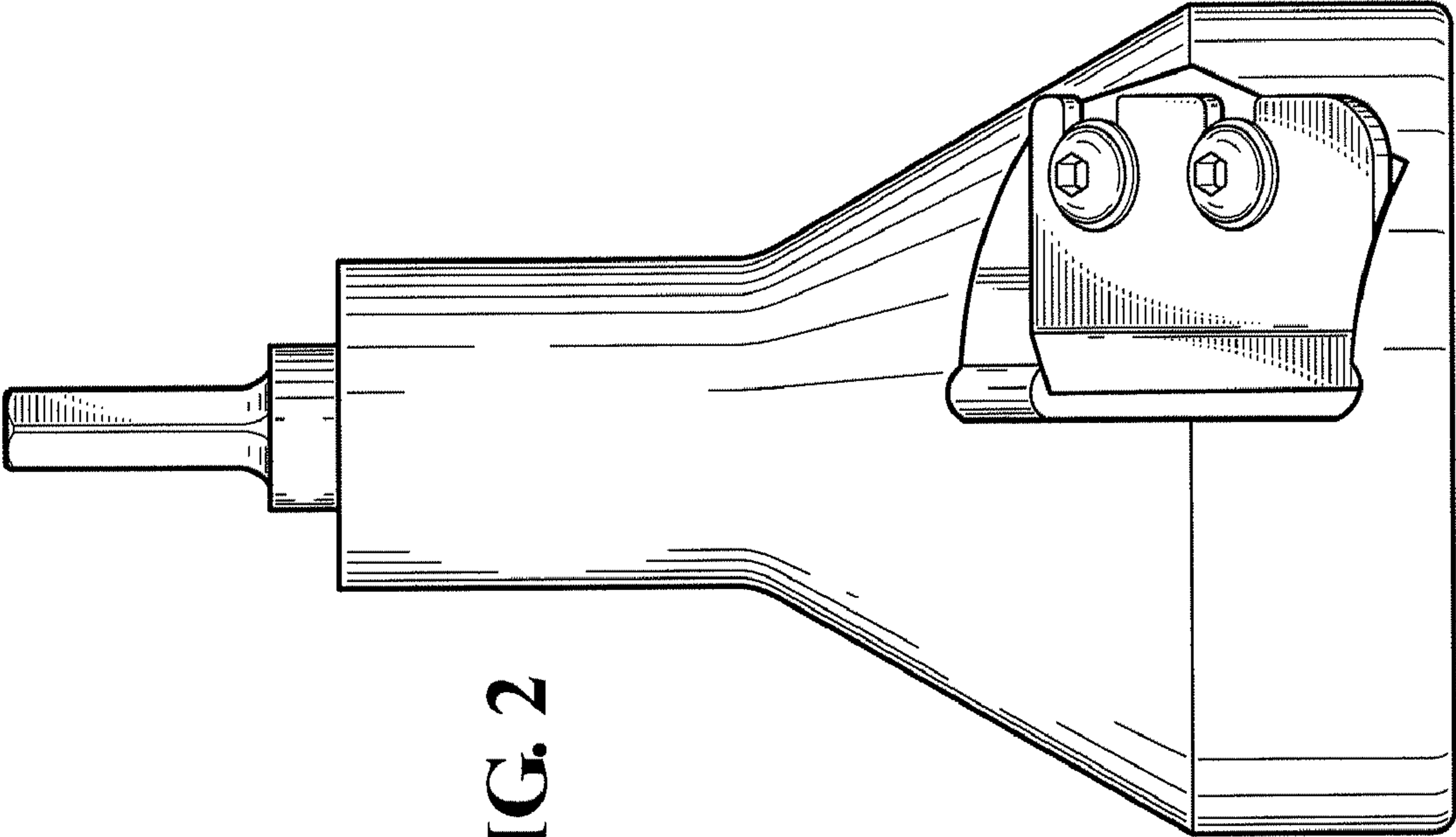


FIG. 2

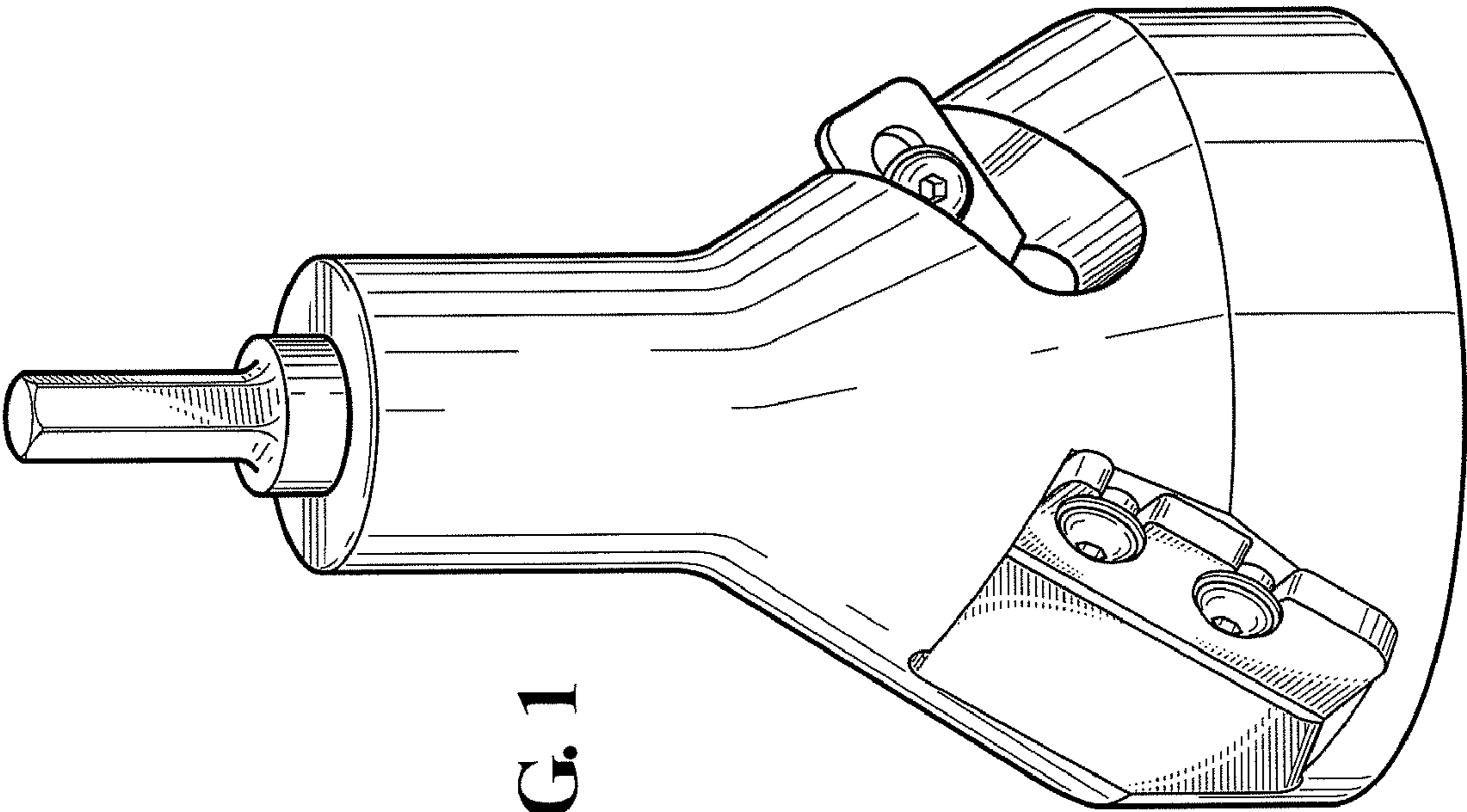


FIG. 1

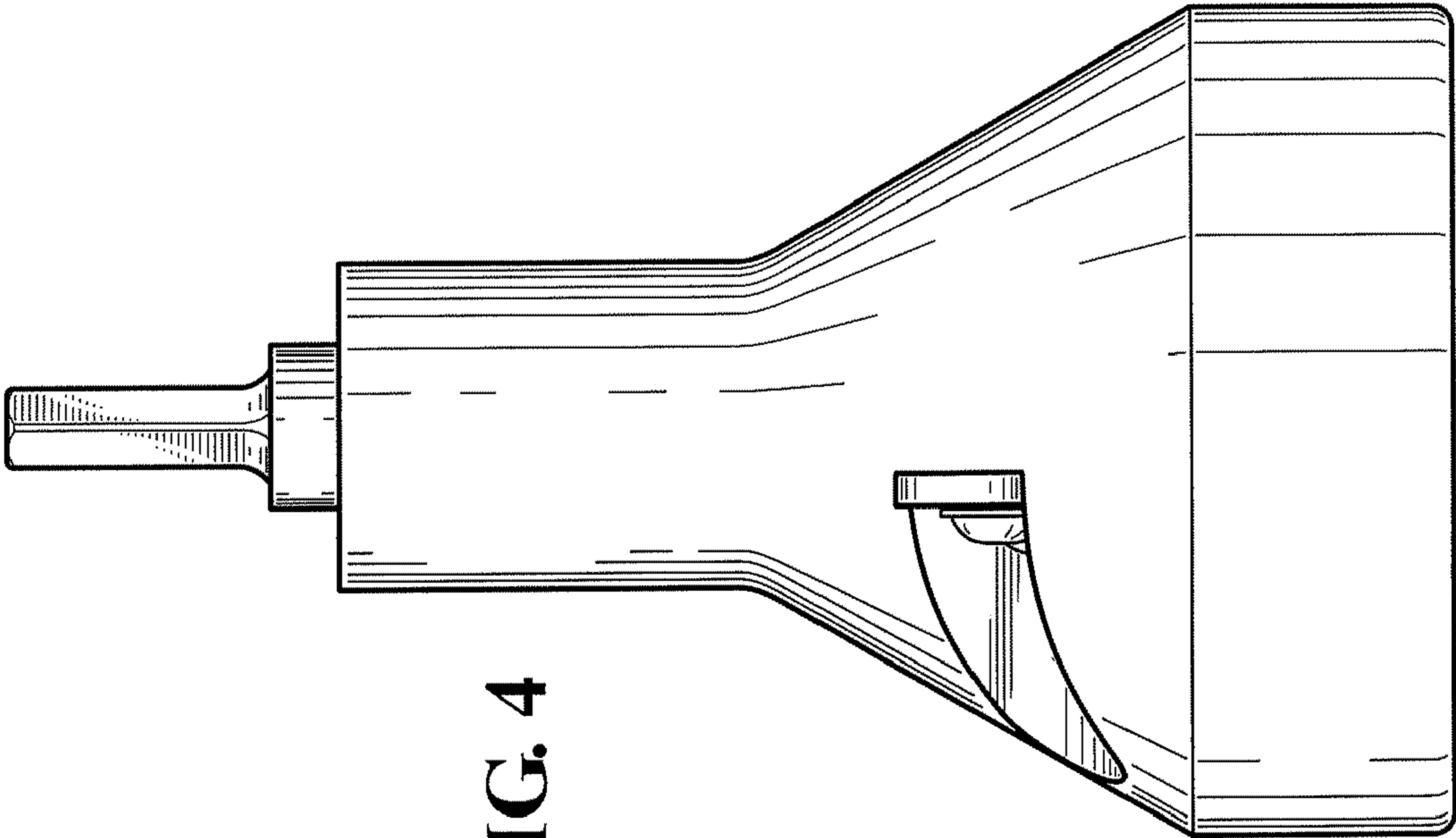


FIG. 4

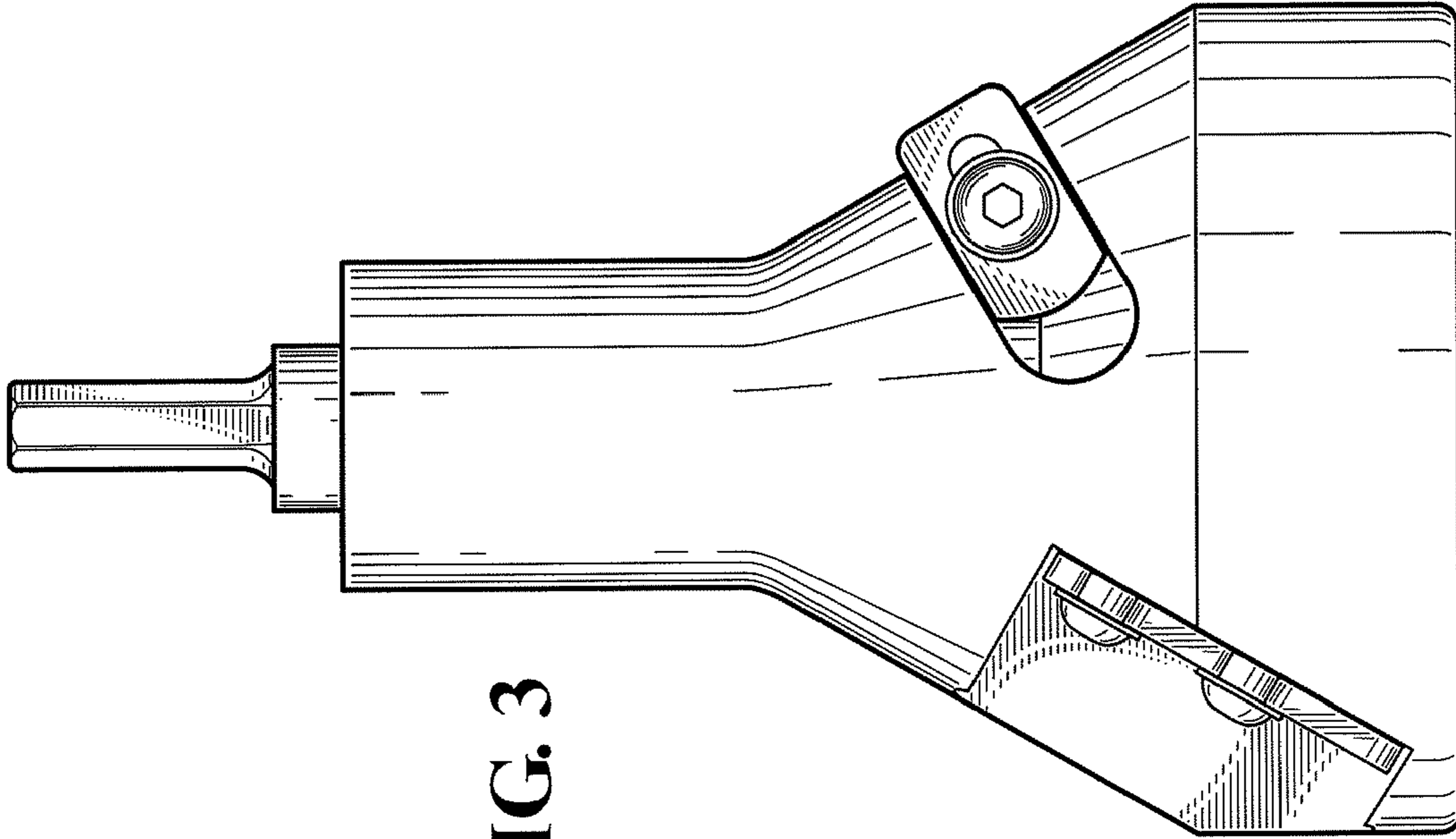


FIG. 3

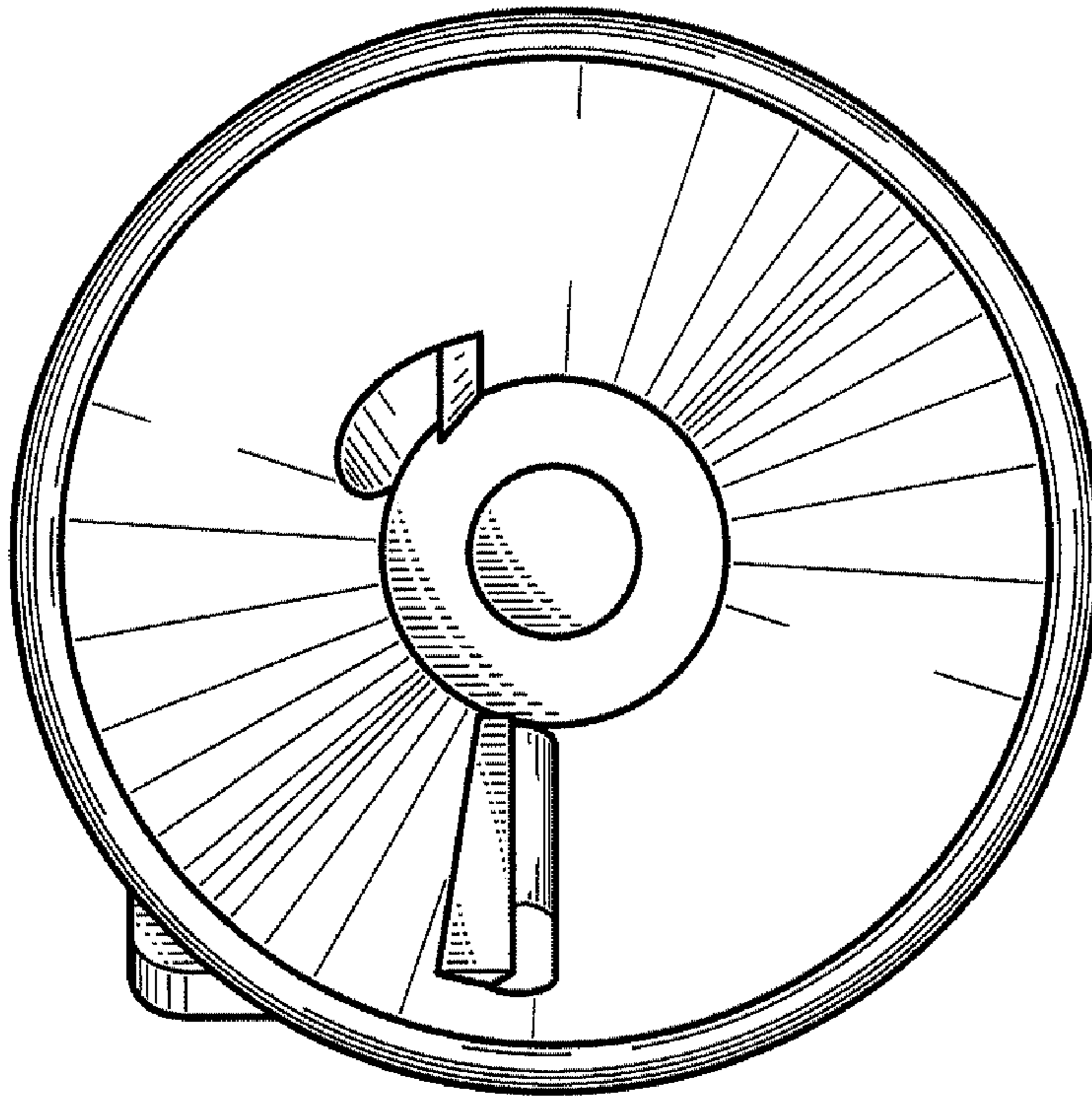


FIG. 5

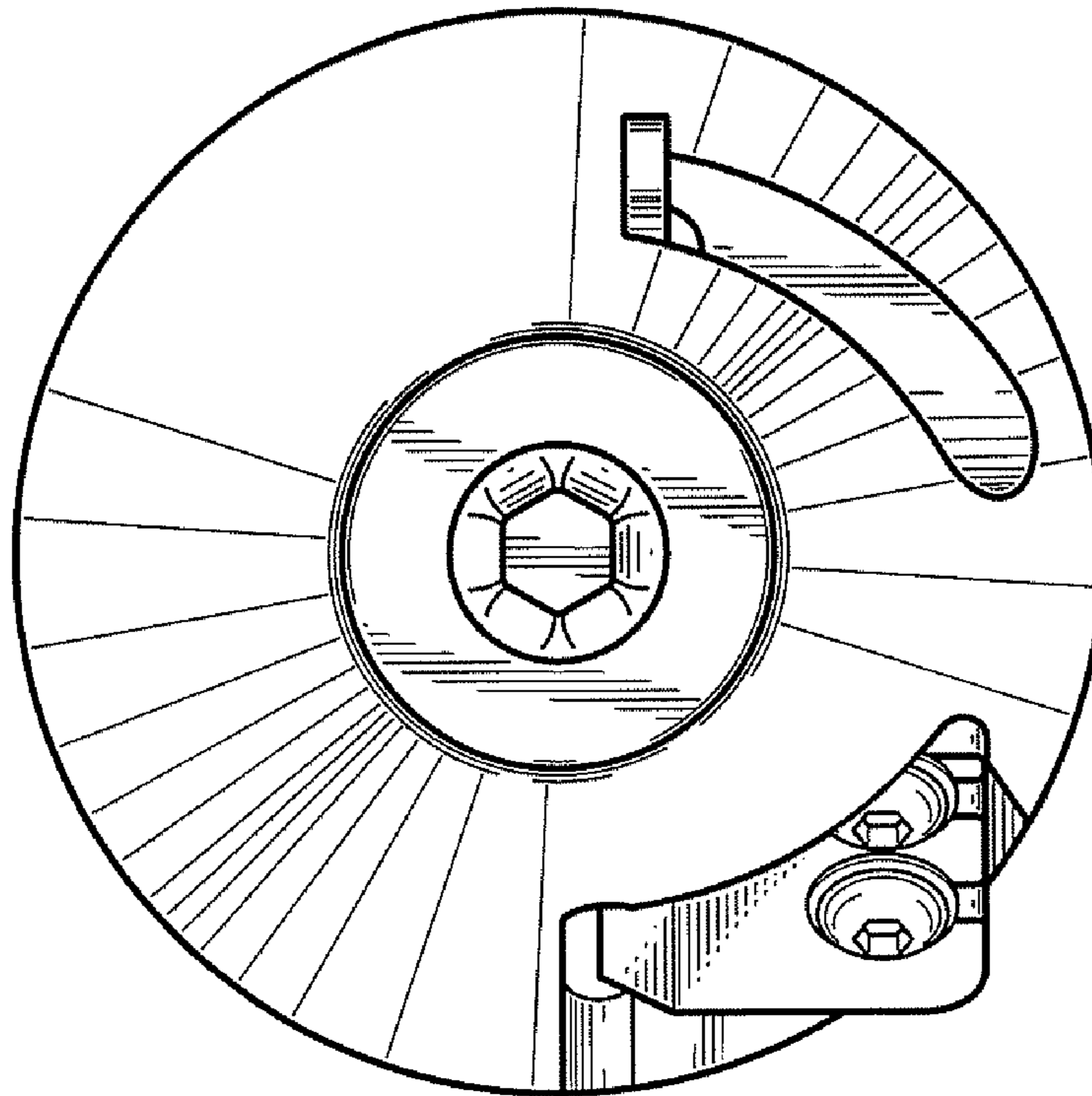


FIG. 6