



US00D639826S

(12) **United States Design Patent**
Barrelmeyer

(10) **Patent No.:** **US D639,826 S**

(45) **Date of Patent:** **** Jun. 14, 2011**

(54) **HARVESTER**

(75) Inventor: **Thomas Barrelmeyer**, Halle/Westfalen (DE)

(73) Assignee: **CLAAS KGaA mbH**, Harsewinkel (DE)

(**) Term: **14 Years**

(21) Appl. No.: **29/379,962**

(22) Filed: **Nov. 29, 2010**

(30) **Foreign Application Priority Data**

Jun. 17, 2010 (EP) 001720889

(51) **LOC (9) Cl.** **15-03**

(52) **U.S. Cl.** **D15/26**

(58) **Field of Classification Search** D15/10-12,
D15/22-26, 28; 56/14.5-14.7, 16.6, 122-125;
296/190, 191; 460/83, 119; 180/89.1, 89.12
See application file for complete search history.

(56) **References Cited**

U.S. PATENT DOCUMENTS

D221,572 S *	8/1971	Ashton et al.	D15/26
D399,851 S *	10/1998	Stauffer et al.	D15/10
D400,543 S *	11/1998	Benedict et al.	D15/10
D432,143 S *	10/2000	Olson et al.	D15/10
D436,363 S *	1/2001	Strong et al.	D15/10
D438,217 S *	2/2001	Olson et al.	D15/10

D460,461 S *	7/2002	Strong et al.	D15/10
D527,393 S *	8/2006	Maas et al.	D15/28
D544,886 S *	6/2007	Pedracini et al.	D15/26
D568,342 S *	5/2008	Kleingraeber	D15/26
D599,830 S *	9/2009	Jacobsthal et al.	D15/33
D619,627 S *	7/2010	Budde	D15/28

* cited by examiner

Primary Examiner — Mark Goodwin

(74) *Attorney, Agent, or Firm* — Michael J. Striker

(57) **CLAIM**

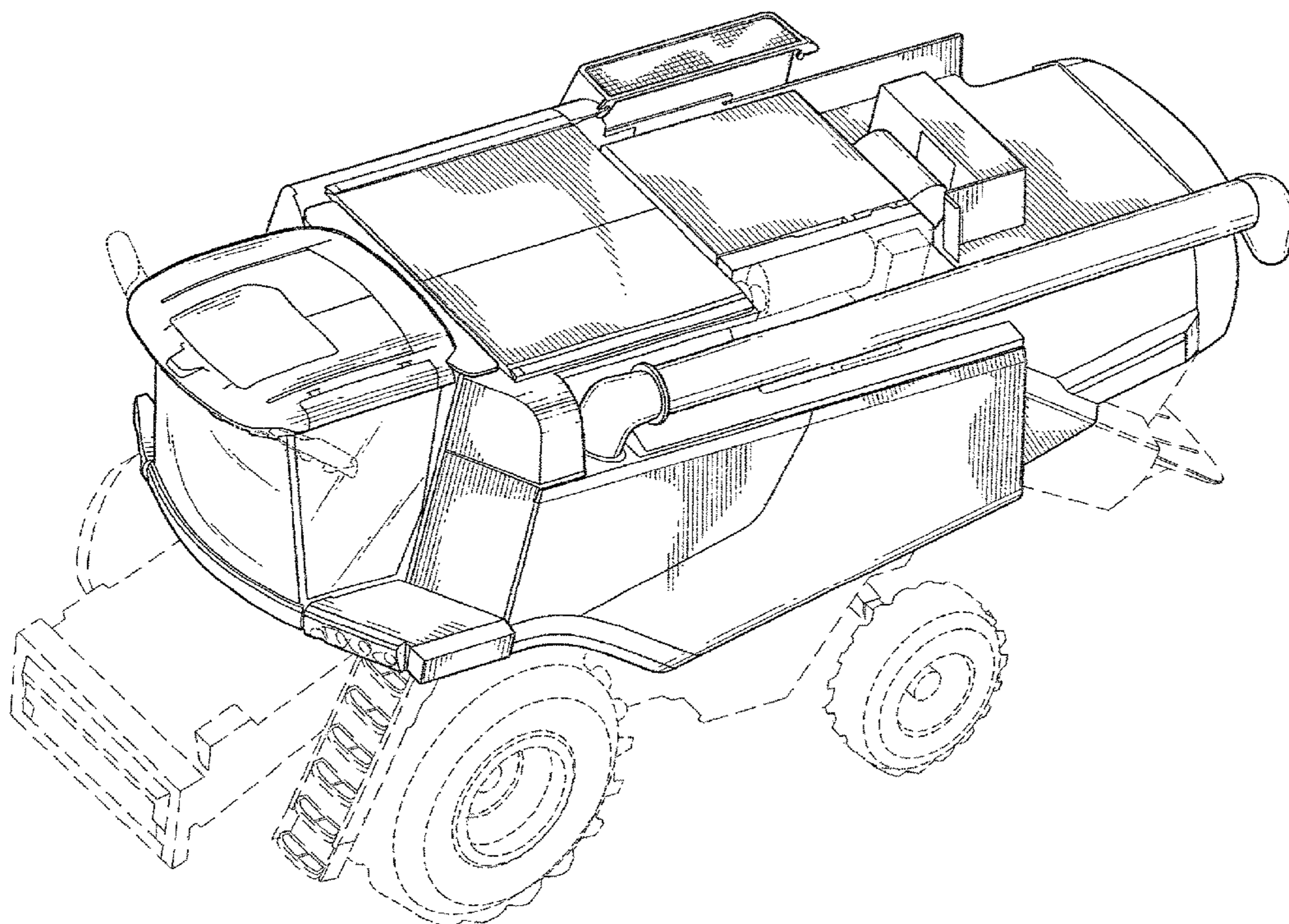
The ornamental design for a harvester, as shown and described.

DESCRIPTION

FIG. 1 is a perspective front view of a harvester showing my new design;
FIG. 2 is a front view thereof;
FIG. 3 is a side view thereof;
FIG. 4 is the opposite side view of FIG. 3 thereof;
FIG. 5 is a rear view thereof;
FIG. 6 is a perspective rear view thereof; and,
FIG. 7 is a second embodiment of a harvester showing my new design thereof.

The broken line showing of the wheel system and tracked wheel system in FIGS. 1-7 and various features on the surface of the claim is included for the purpose of illustrating environmental structure only and forms no part of the claimed design.

1 Claim, 7 Drawing Sheets



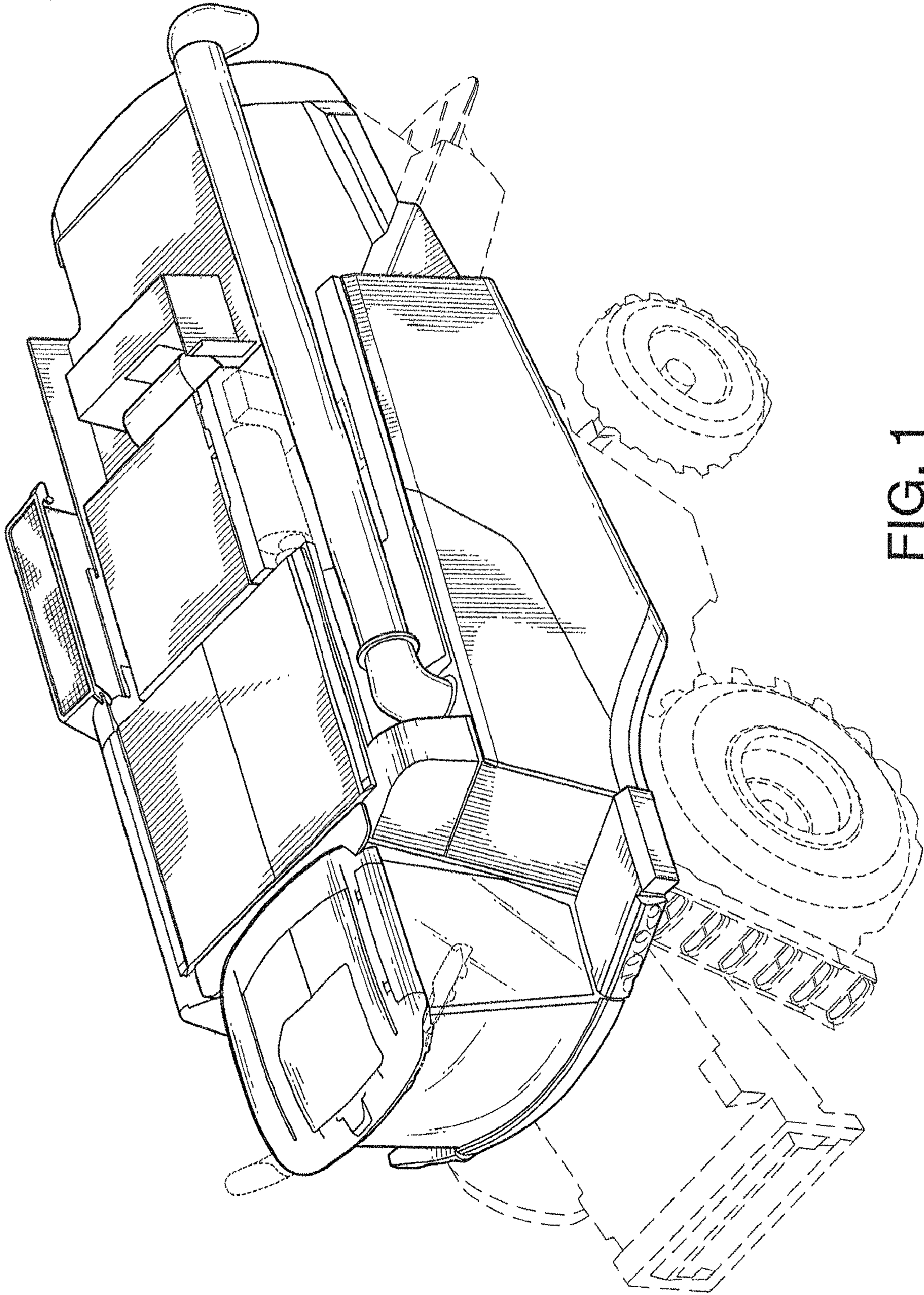


FIG. 1

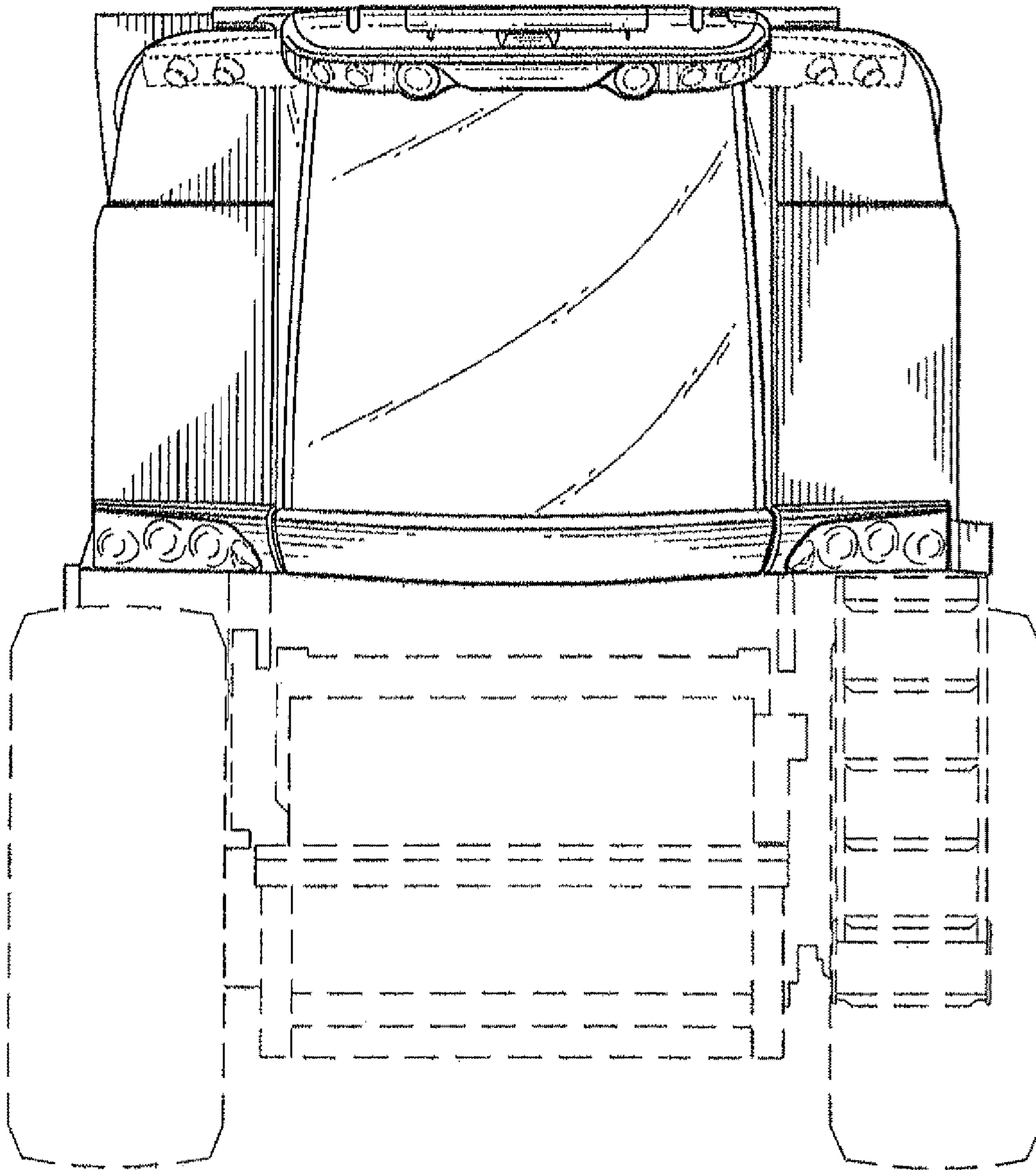


FIG. 2

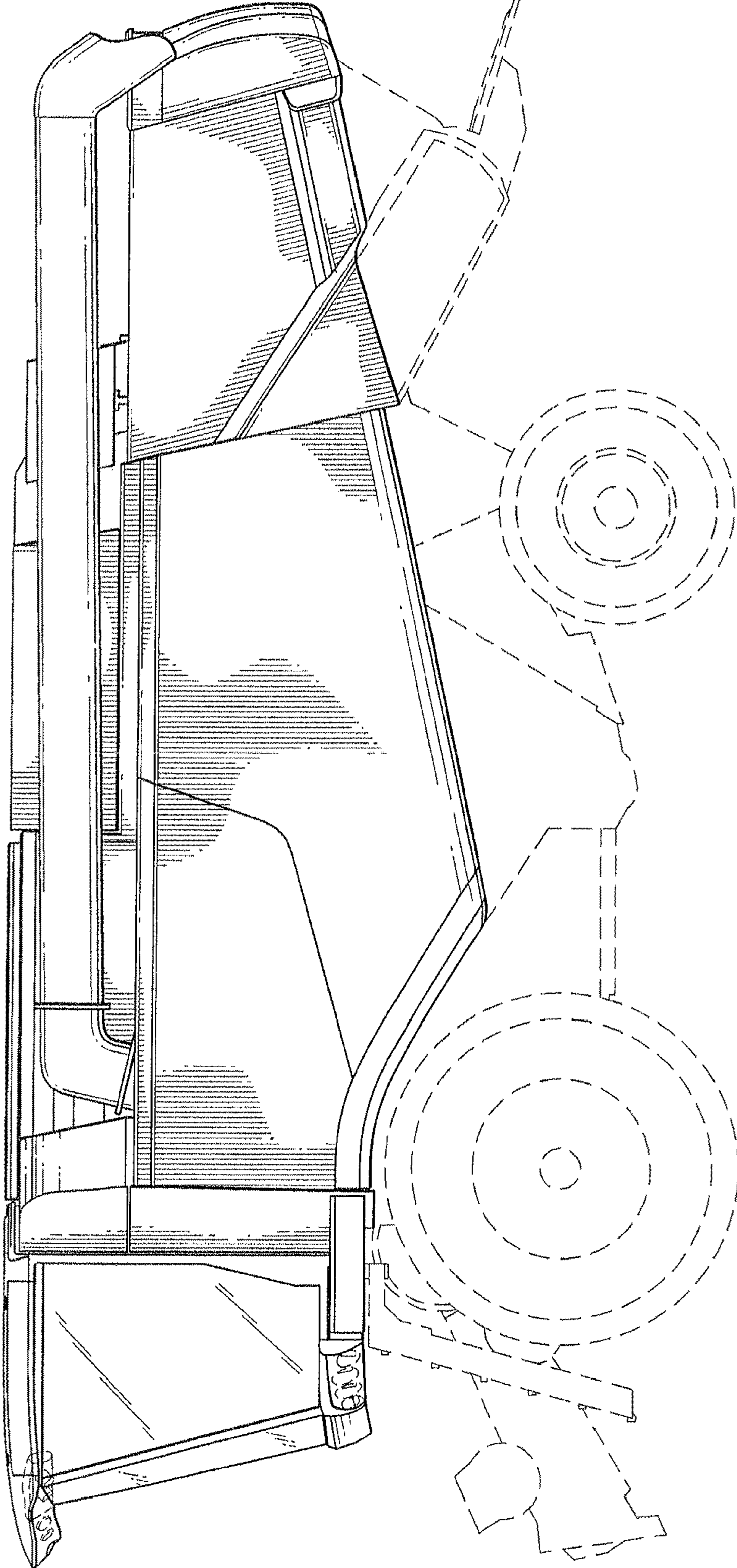


FIG. 3

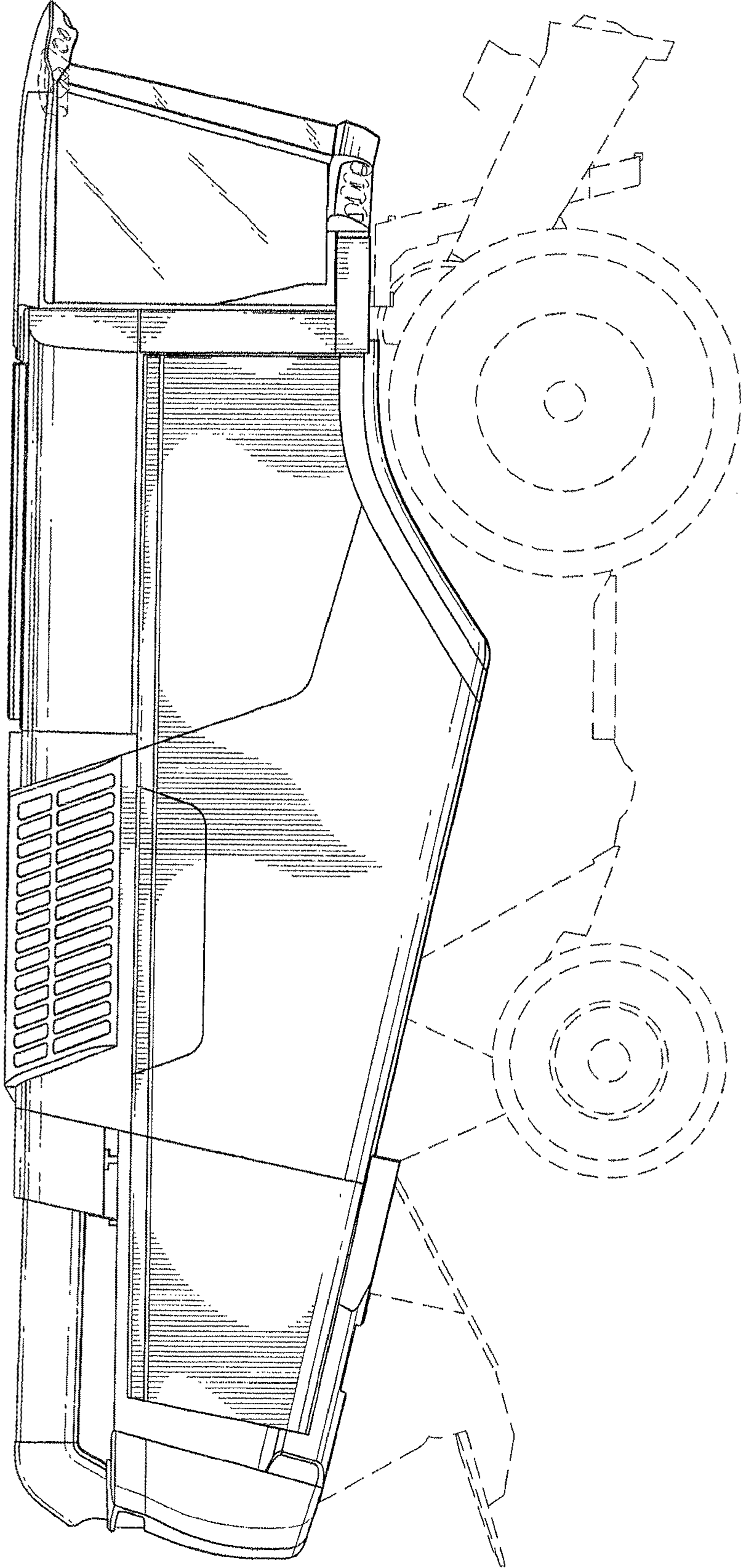


FIG. 4

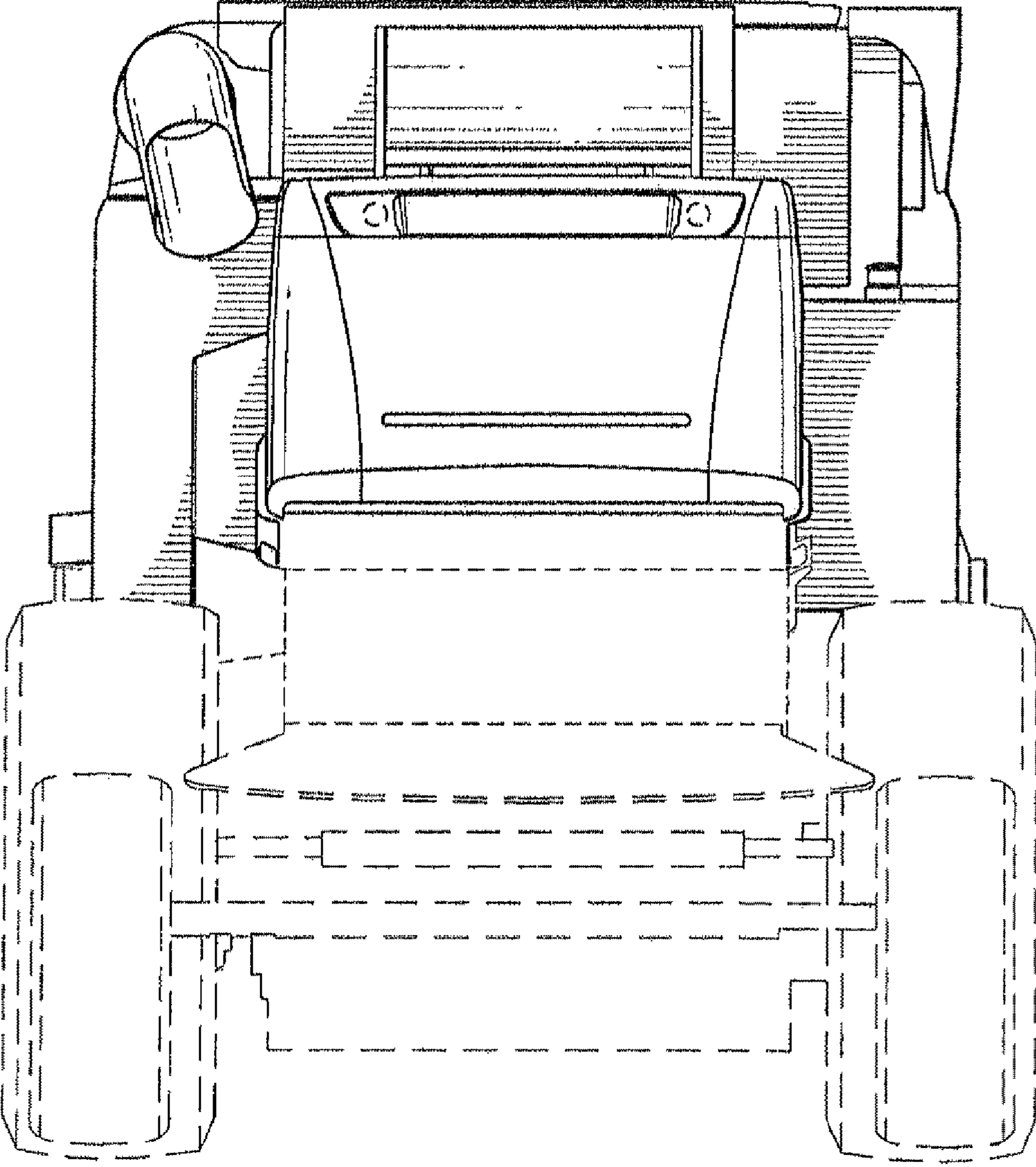


FIG. 5

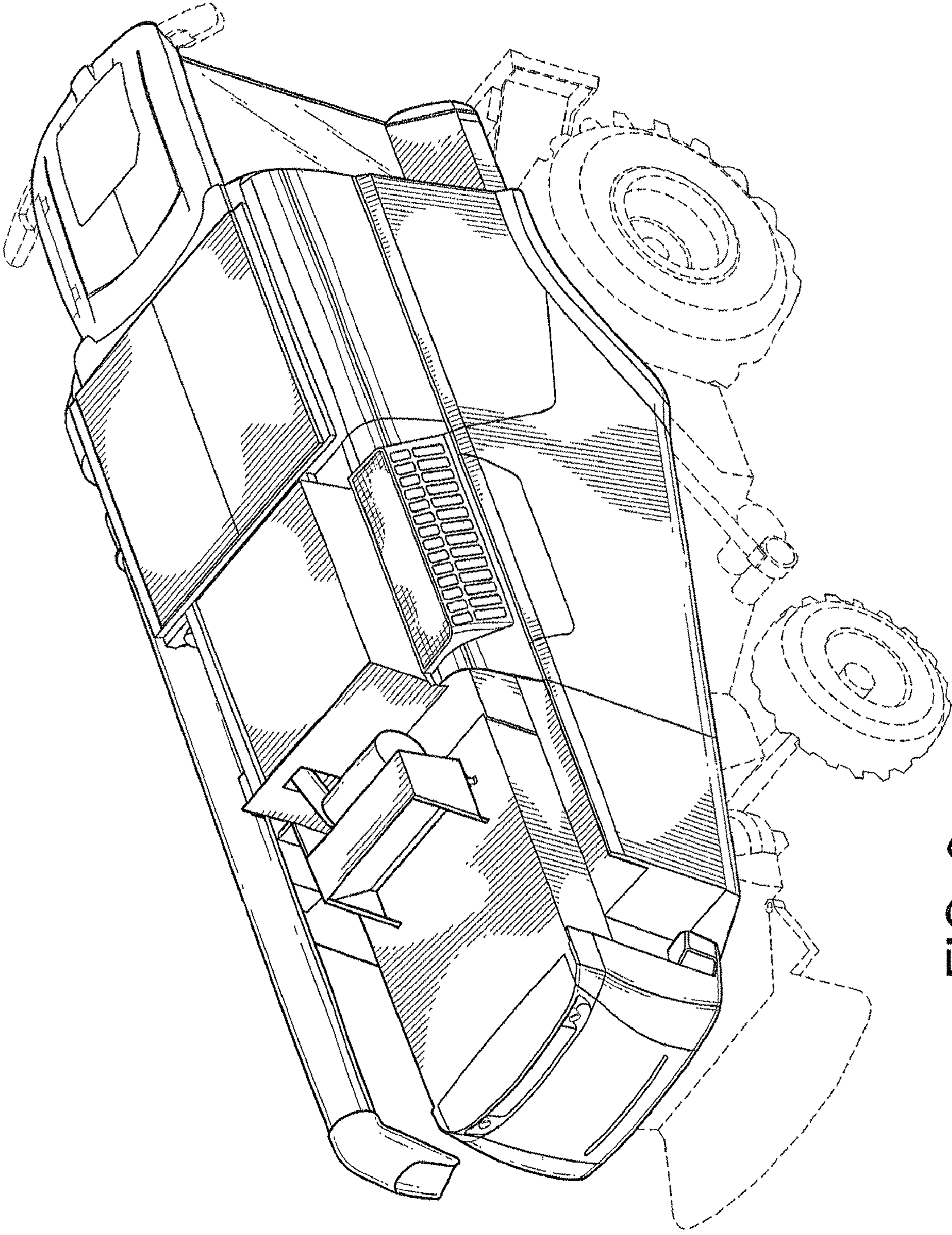


FIG. 6

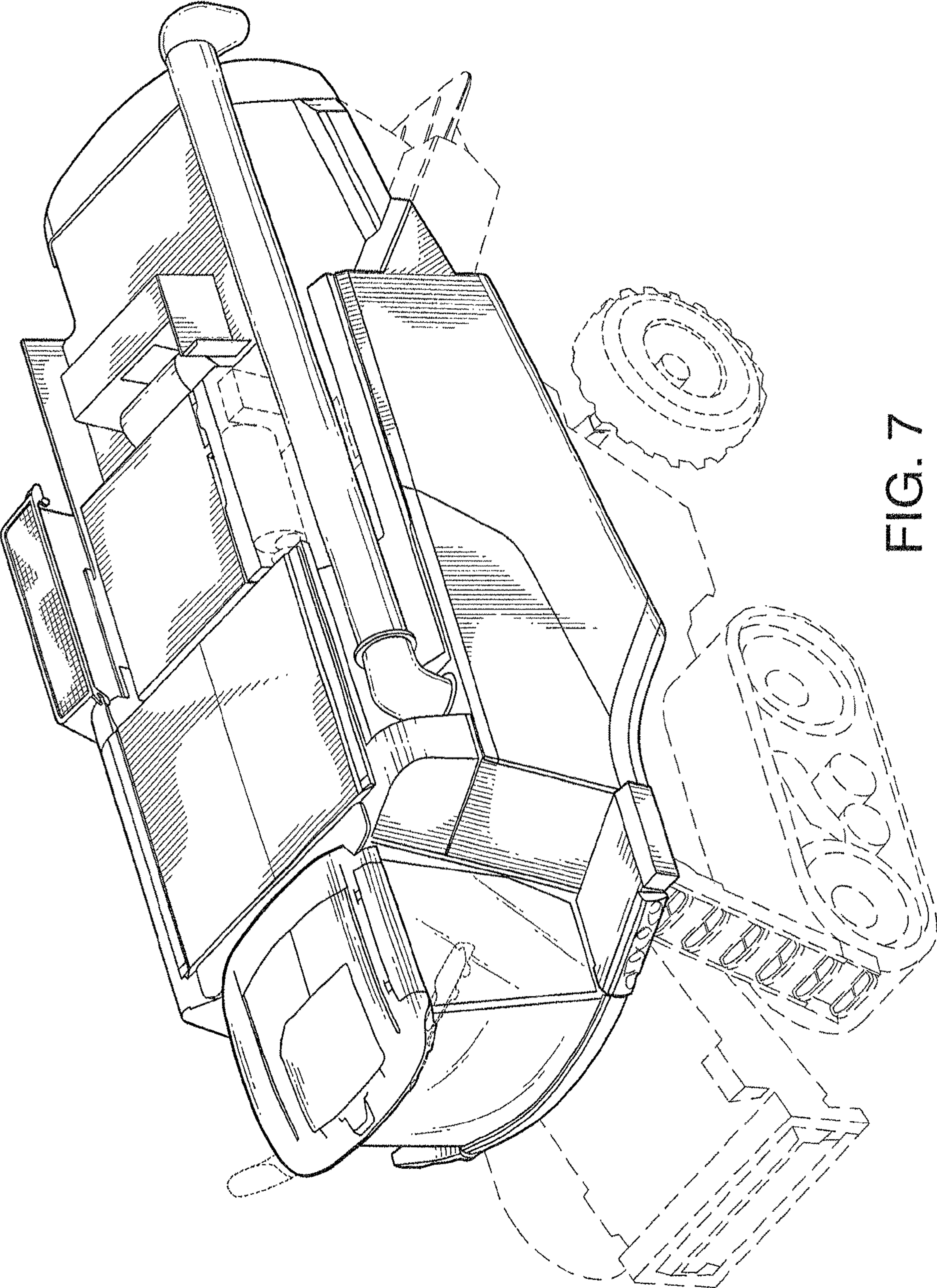


FIG. 7