

US00D639825S

(12) **United States Design Patent**  
**Murakami et al.**

(10) **Patent No.:** **US D639,825 S**  
(45) **Date of Patent:** **\*\* Jun. 14, 2011**

(54) **VALVE MANIFOLD**

(75) Inventors: **Takashi Murakami**, Tsukubamirai (JP);  
**Shinji Miyazoe**, Tsukubamirai (JP)

(73) Assignee: **SMC Corporation**, Chiyoda-ku, Tokyo  
(JP)

(\*\*) Term: **14 Years**

(21) Appl. No.: **29/378,958**

(22) Filed: **Nov. 12, 2010**

(30) **Foreign Application Priority Data**

Jul. 27, 2010 (JP) ..... 2010-018233

(51) **LOC (9) Cl.** ..... **15-01**

(52) **U.S. Cl.** ..... **D15/5; D23/233**

(58) **Field of Classification Search** ..... D15/143,  
D15/5, 1; D23/233; D13/147; 251/129.01,  
251/129.15

See application file for complete search history.

(56) **References Cited**

**U.S. PATENT DOCUMENTS**

D453,347 S *	2/2002	Kaneko et al.	.....	D15/143
D557,281 S *	12/2007	Miller et al.	.....	D15/5
D581,946 S *	12/2008	Takada et al.	.....	D15/5
D581,947 S *	12/2008	Takada et al.	.....	D15/5
D581,948 S *	12/2008	Takada et al.	.....	D15/5
D594,931 S *	6/2009	Miyazoe	.....	D23/233
D594,932 S *	6/2009	Miyazoe	.....	D23/233
D594,933 S *	6/2009	Miyazoe	.....	D23/233
D595,390 S *	6/2009	Miyazoe et al.	.....	D23/233
D595,810 S *	7/2009	Miyazoe	.....	D23/233
D597,174 S *	7/2009	Miyazoe	.....	D23/233

D606,168 S *	12/2009	Miyazoe	.....	D23/233
D616,964 S *	6/2010	Miyazoe et al.	.....	D23/233
D616,965 S *	6/2010	Miyazoe et al.	.....	D23/233
D621,477 S *	8/2010	Miyazoe et al.	.....	D23/233
D621,910 S *	8/2010	Miyazoe et al.	.....	D23/233
D621,911 S *	8/2010	Miyazoe et al.	.....	D23/233
2006/0081802 A1 *	4/2006	Miyazoe	.....	251/129.15
2010/0148101 A1 *	6/2010	Narita et al.	.....	251/129.01

\* cited by examiner

*Primary Examiner* — T. Chase Nelson

*Assistant Examiner* — Ania Dworzecka

(74) *Attorney, Agent, or Firm* — Yokoi & Co., U.S.A., Inc.;  
Toshiyuki Yokoi

(57) **CLAIM**

The ornamental design for a valve manifold, as shown and described.

**DESCRIPTION**

FIG. 1 shows a front view of a valve manifold with plate showing my new design;

FIG. 2 shows a rear view thereof;

FIG. 3 shows a right side view thereof;

FIG. 4 shows a left side view thereof;

FIG. 5 shows a top view thereof;

FIG. 6 shows a bottom view thereof;

FIG. 7 shows a top, front and left side perspective view thereof; and,

FIG. 8 shows a bottom, rear and right side perspective view thereof.

The portions of the design shown in broken lines in FIGS. 5, 6, 7 and 8 are for the purpose of illustrating the environment only and form no part of the claimed design.

The valve on the bottom is shown broken away to indicate it has no particular length.

**1 Claim, 6 Drawing Sheets**

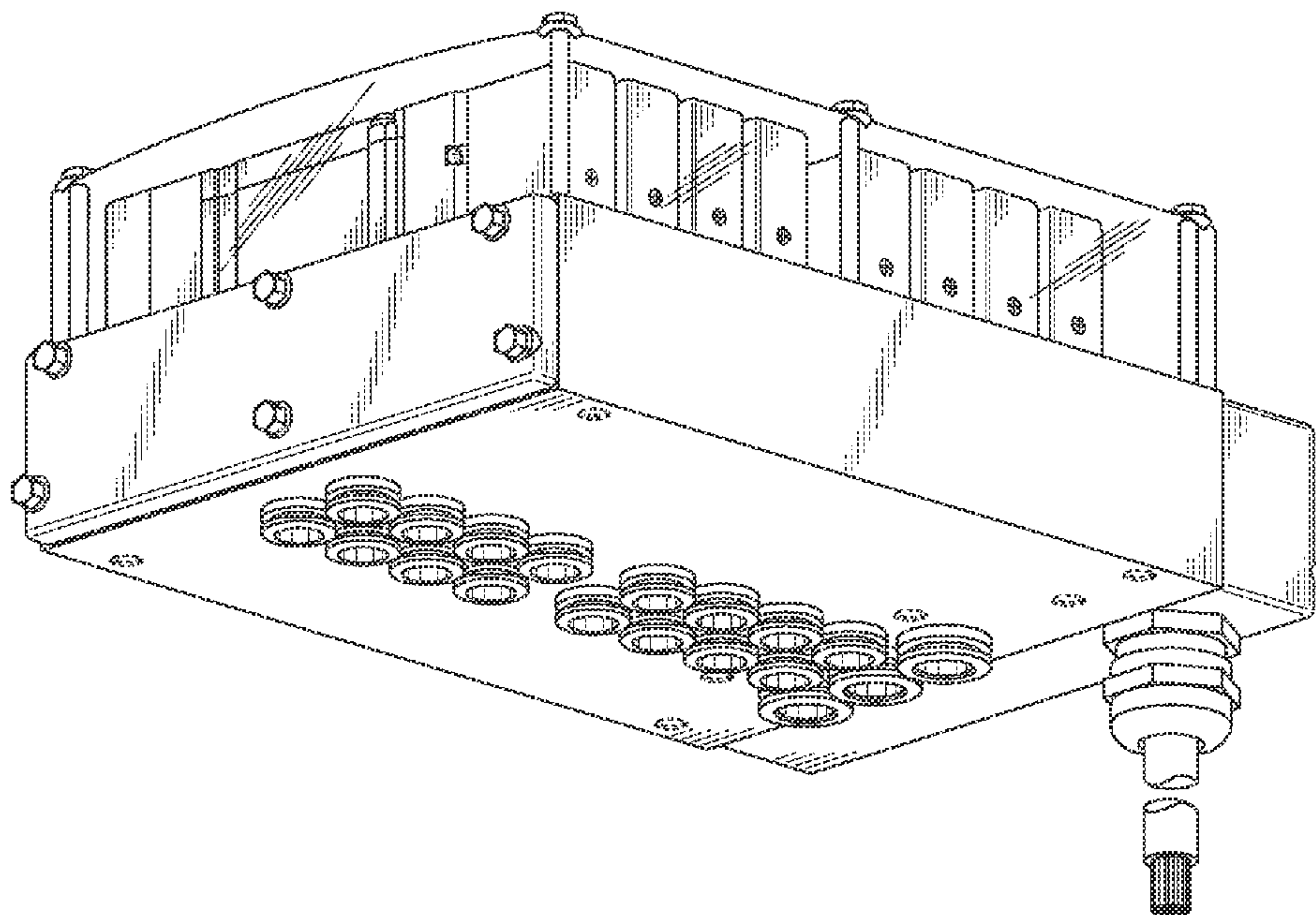


FIG. 1

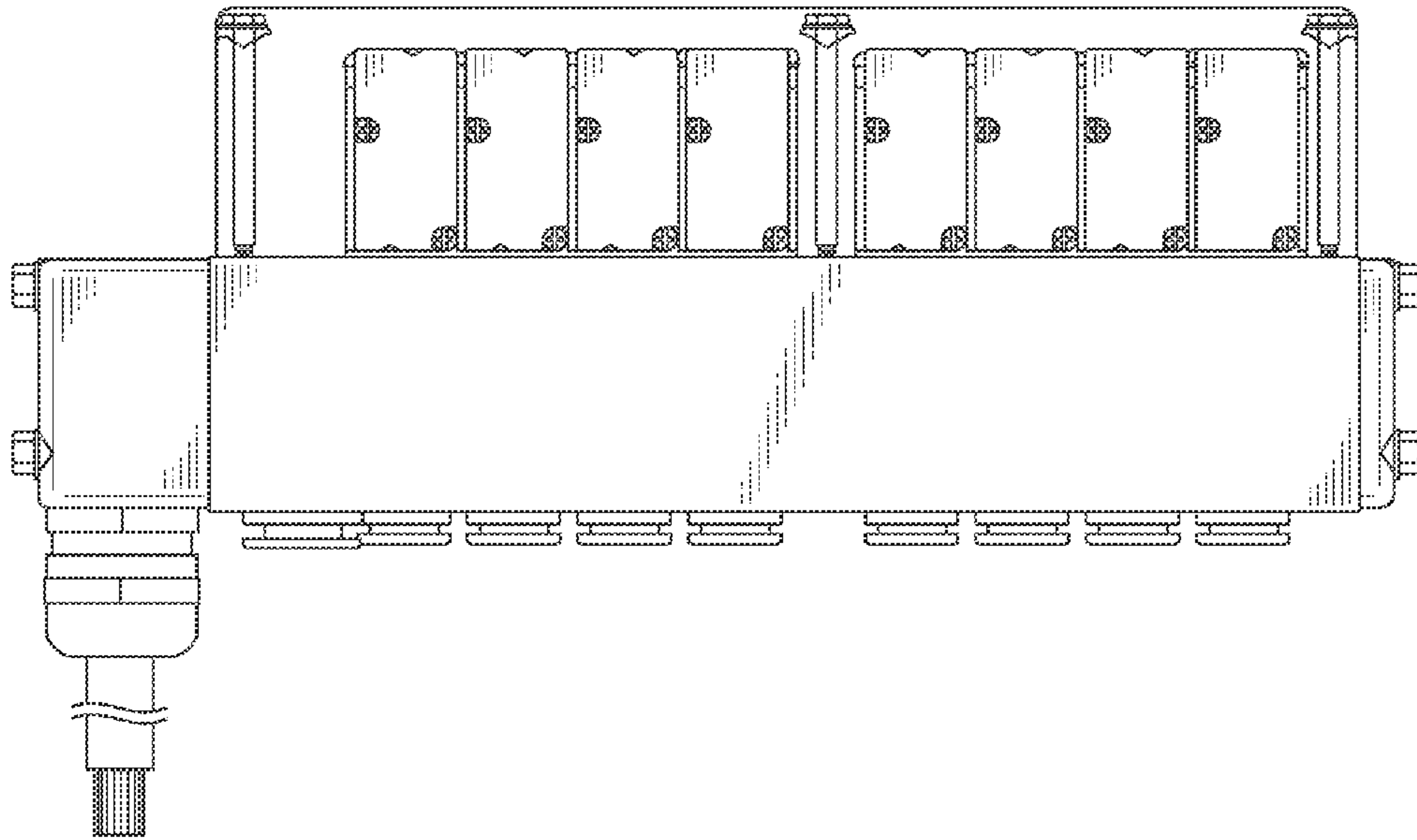


FIG. 2

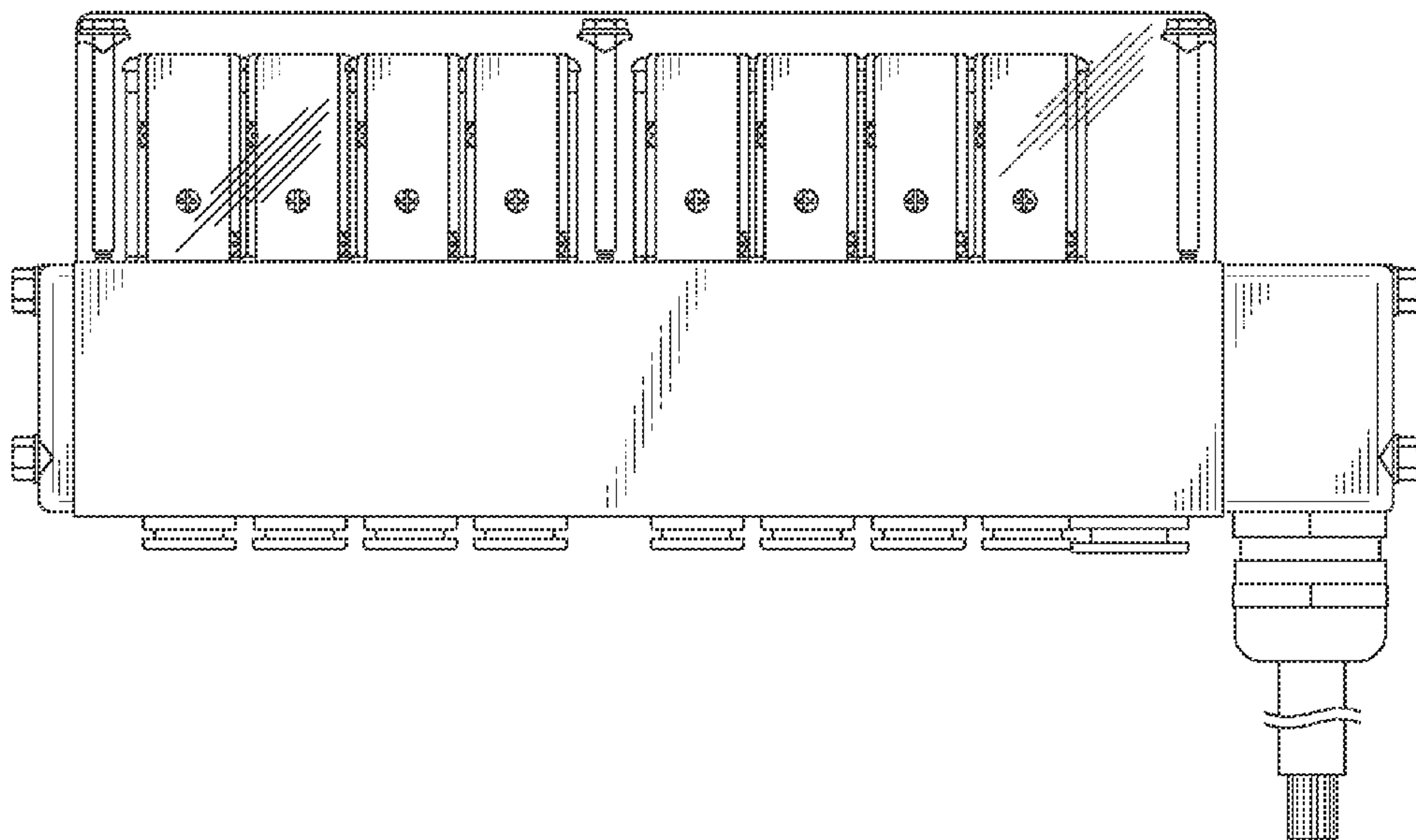


FIG. 3

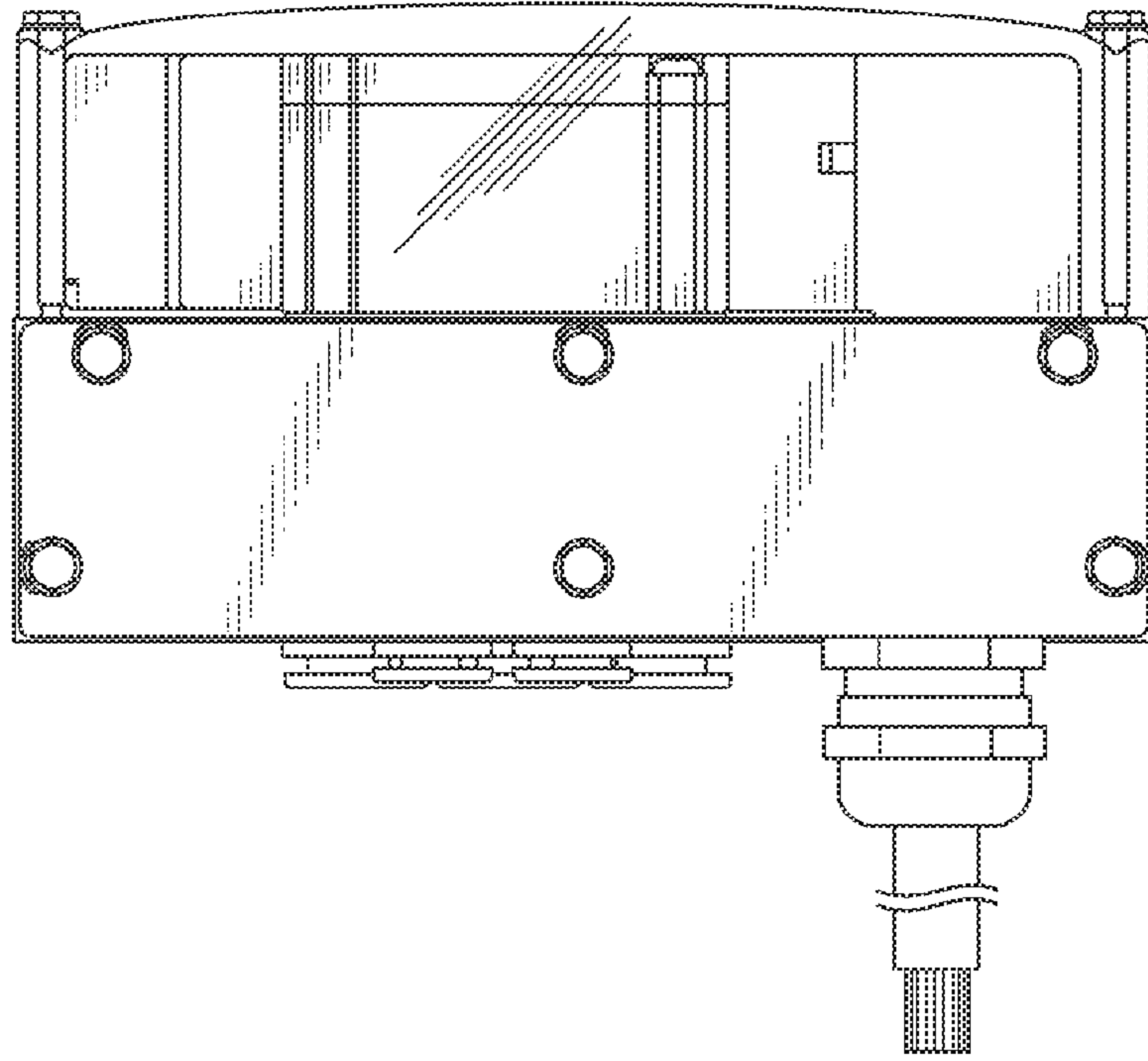


FIG. 4

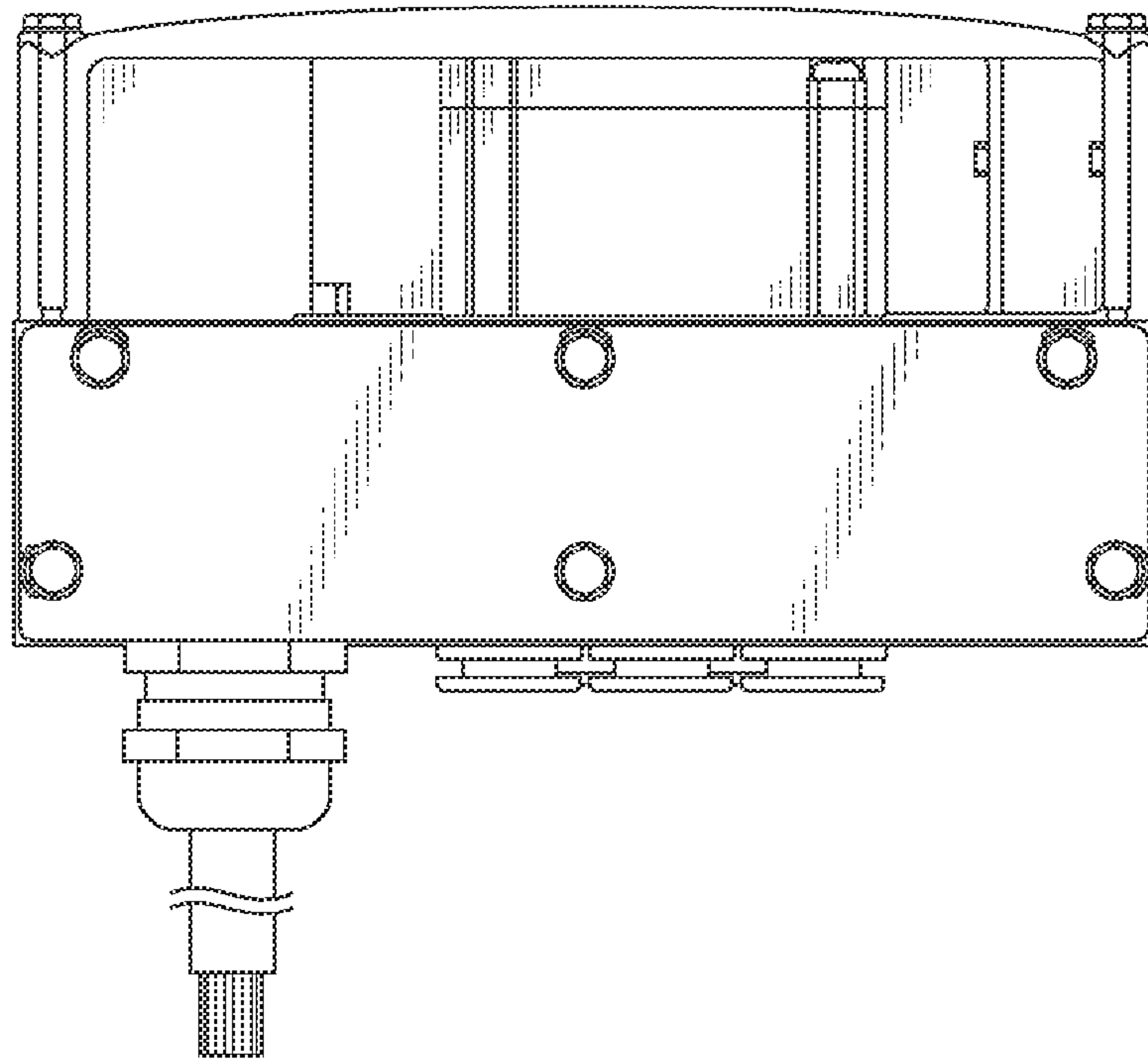


FIG. 5

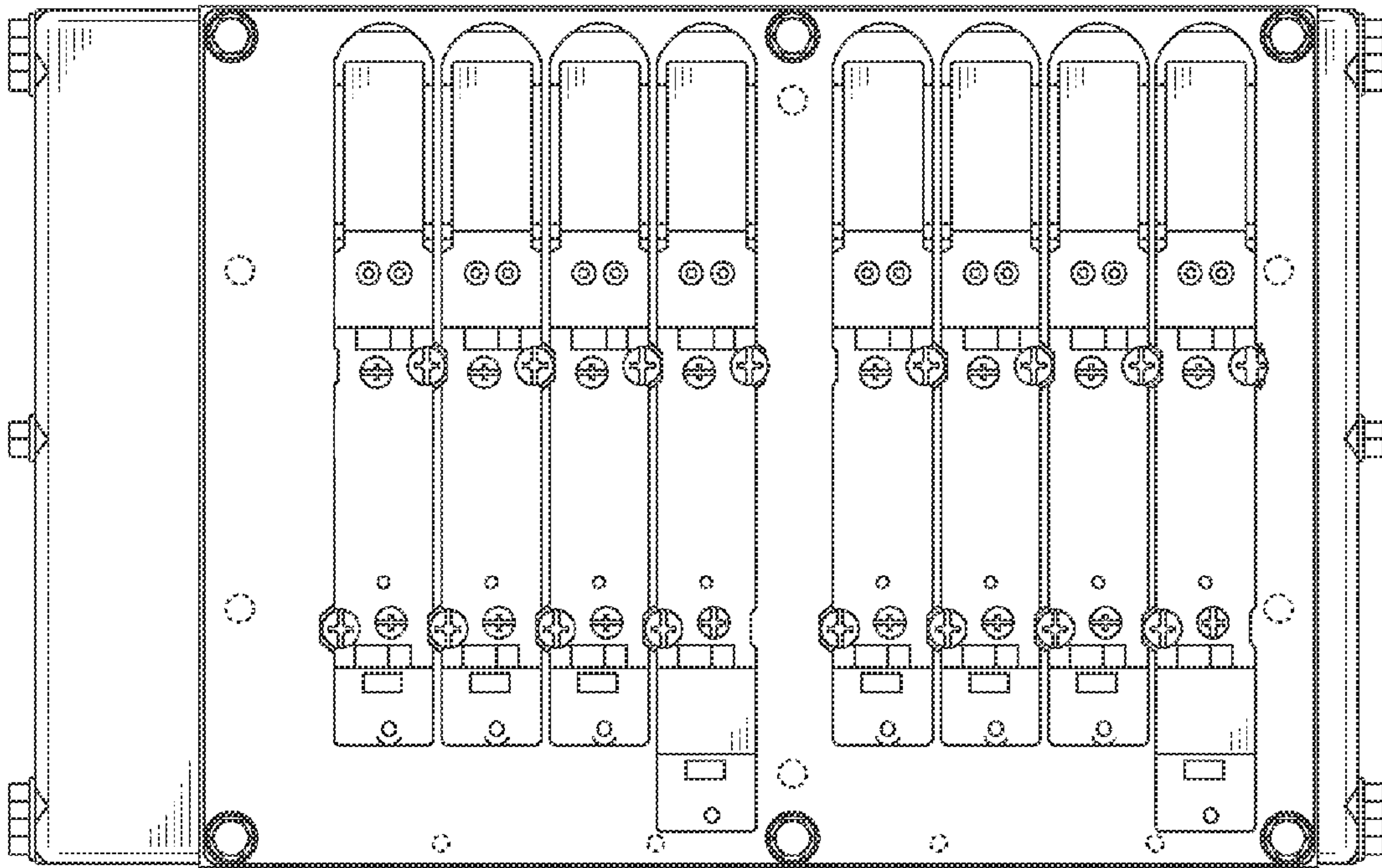




FIG. 6

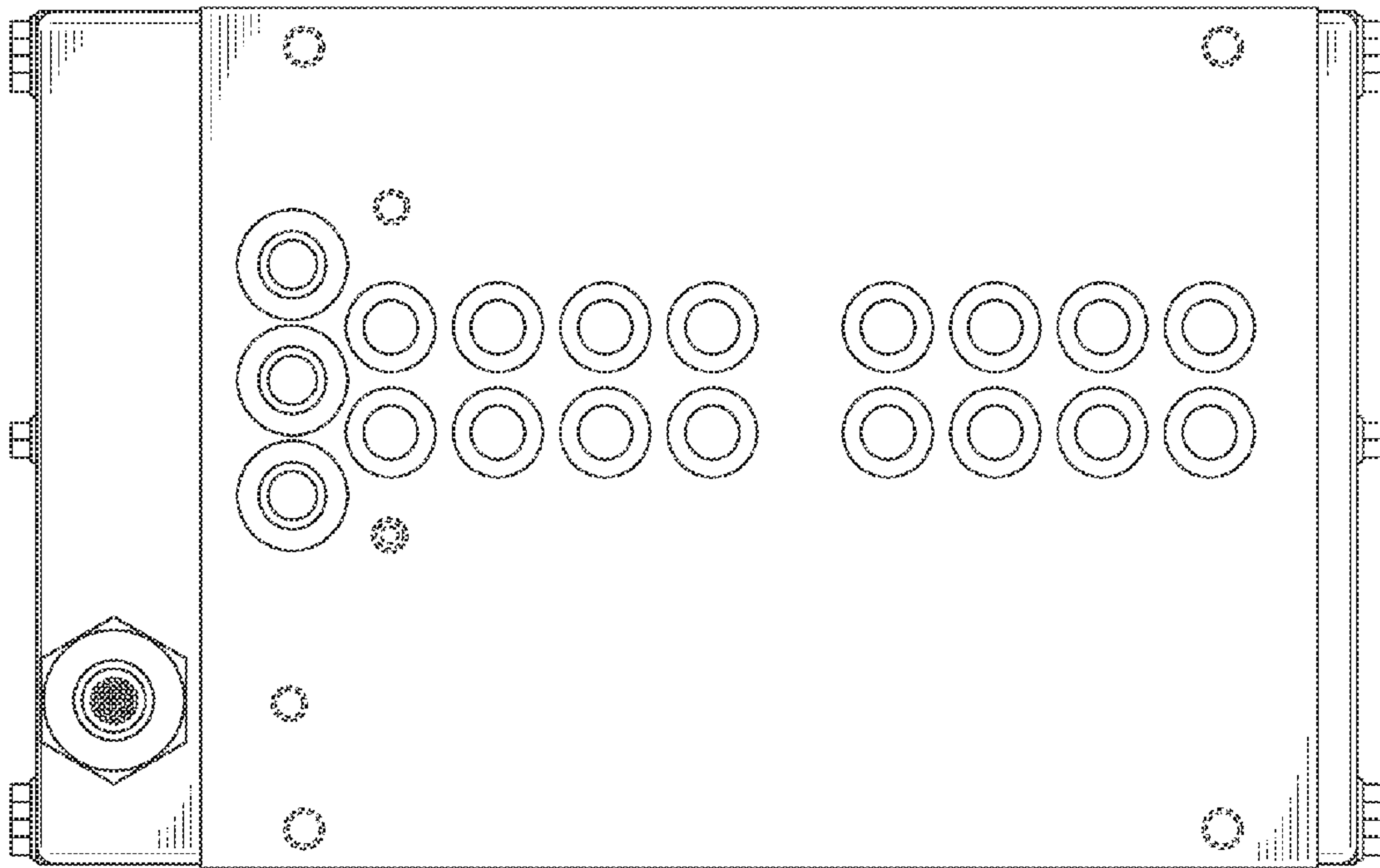


FIG. 7

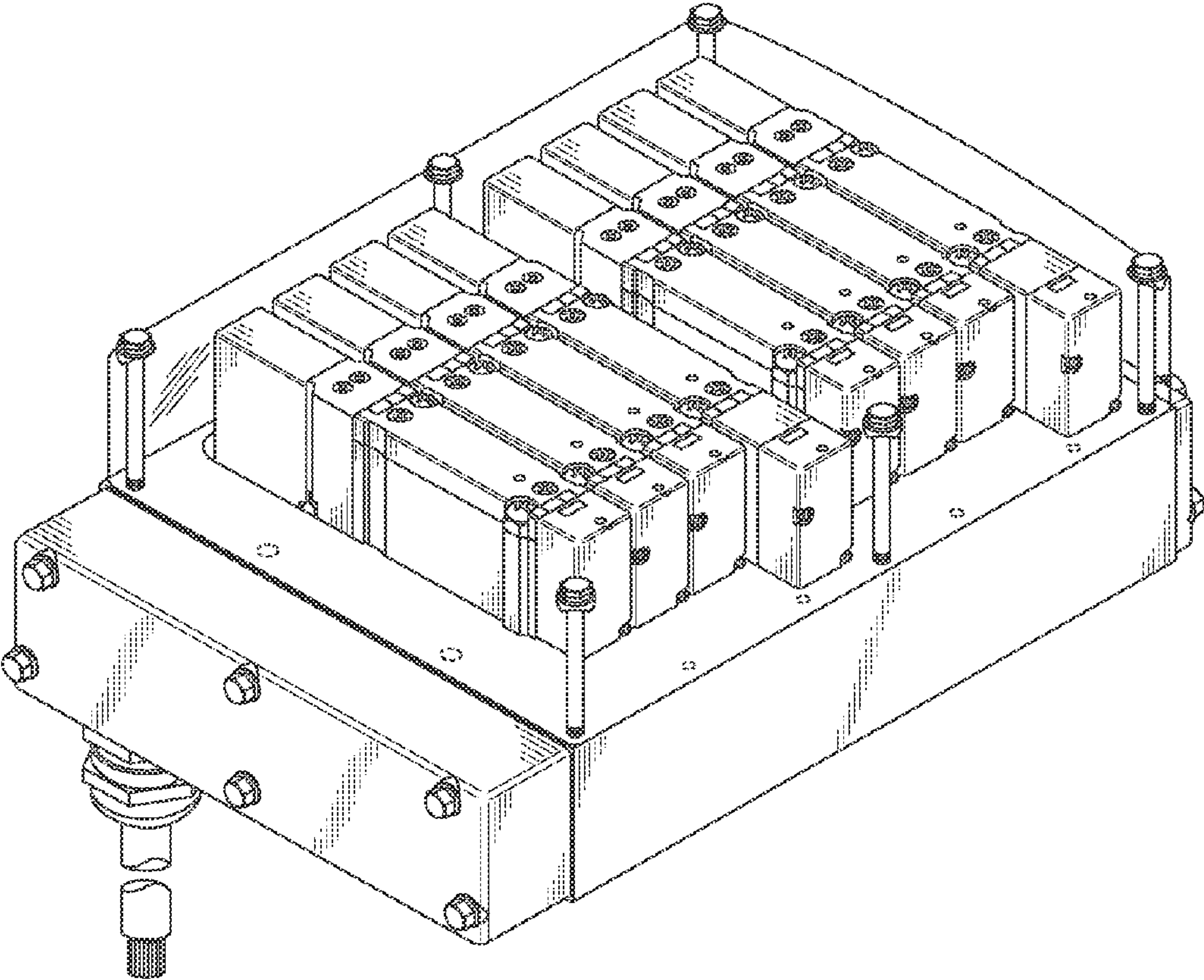


FIG. 8

