



US00D639816S

(12) **United States Design Patent**  
**Bau**

(10) **Patent No.:** **US D639,816 S**

(45) **Date of Patent:** **\*\* Jun. 14, 2011**

(54) **FOLDABLE STAND FOR PORTABLE  
HANDHELD ELECTRONIC DEVICE**

(75) Inventor: **Chi Vun Steven Bau**, Kowloon (HK)

(73) Assignee: **SwitchEasy Limited**, Kowloon (HK)

(\*\*) Term: **14 Years**

(21) Appl. No.: **29/376,574**

(22) Filed: **Oct. 8, 2010**

(30) **Foreign Application Priority Data**

Apr. 13, 2010 (HK) ..... 1000654

(51) **LOC (9) Cl.** ..... **08-07**

(52) **U.S. Cl.** ..... **D14/447**

(58) **Field of Classification Search** ..... D14/448,  
D14/439, 440, 447, 449, 450, 451, 452, 432,  
D14/434, 457, 336, 337, 339, 340, 371, 372,  
D14/373, 374, 375, 376, 377, 378, 379, 380,  
D14/381, 382, 126, 127, 128, 129, 203.8,  
D14/217, 238.1, 239; 345/905; 248/917,  
248/918, 919, 920, 921, 922, 923, 924; 348/184,  
348/739, 761, 791, 825, 834, 835; 349/58,  
349/60; D6/406.1, 406.3, 406.4, 406.5, 406.6;  
D8/363, 380; 361/679.06, 679.02, 679.09,  
361/679.21, 679.3, 679.55, 679.56, 679.26,  
361/679.27

See application file for complete search history.

(56) **References Cited**

**U.S. PATENT DOCUMENTS**

5,607,135 A \* 3/1997 Yamada ..... 248/456  
D513,008 S \* 12/2005 Takizawa et al. .... D14/447  
D557,259 S \* 12/2007 Hirsch ..... D14/217  
D558,774 S \* 1/2008 Najima ..... D14/447  
D573,598 S \* 7/2008 Chu ..... D14/447  
D599,801 S \* 9/2009 Skaf et al. .... D14/434

D603,840 S \* 11/2009 Lee et al. .... D14/217  
7,614,599 B2 \* 11/2009 Moon et al. .... 248/454  
D610,587 S \* 2/2010 Bandringa ..... D14/447  
D621,839 S \* 8/2010 Sweet ..... D14/434  
D626,964 S \* 11/2010 Richardson et al. .... D14/447  
7,828,260 B2 \* 11/2010 Hauser et al. .... 248/456  
2010/0213331 A1 \* 8/2010 Liou ..... 248/176.3

\* cited by examiner

*Primary Examiner* — Angela Lee

(74) *Attorney, Agent, or Firm* — Sughrue Mion, PLLC

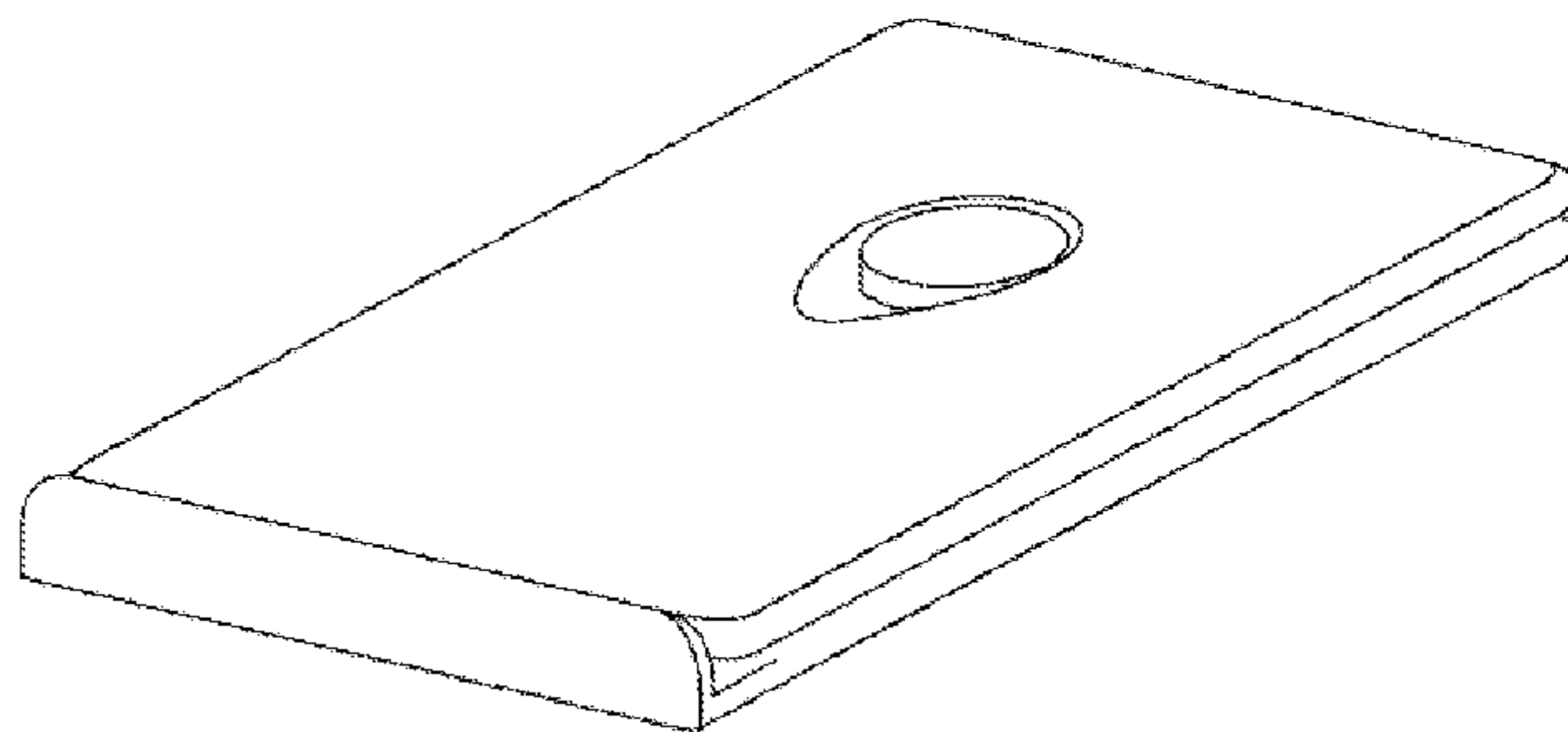
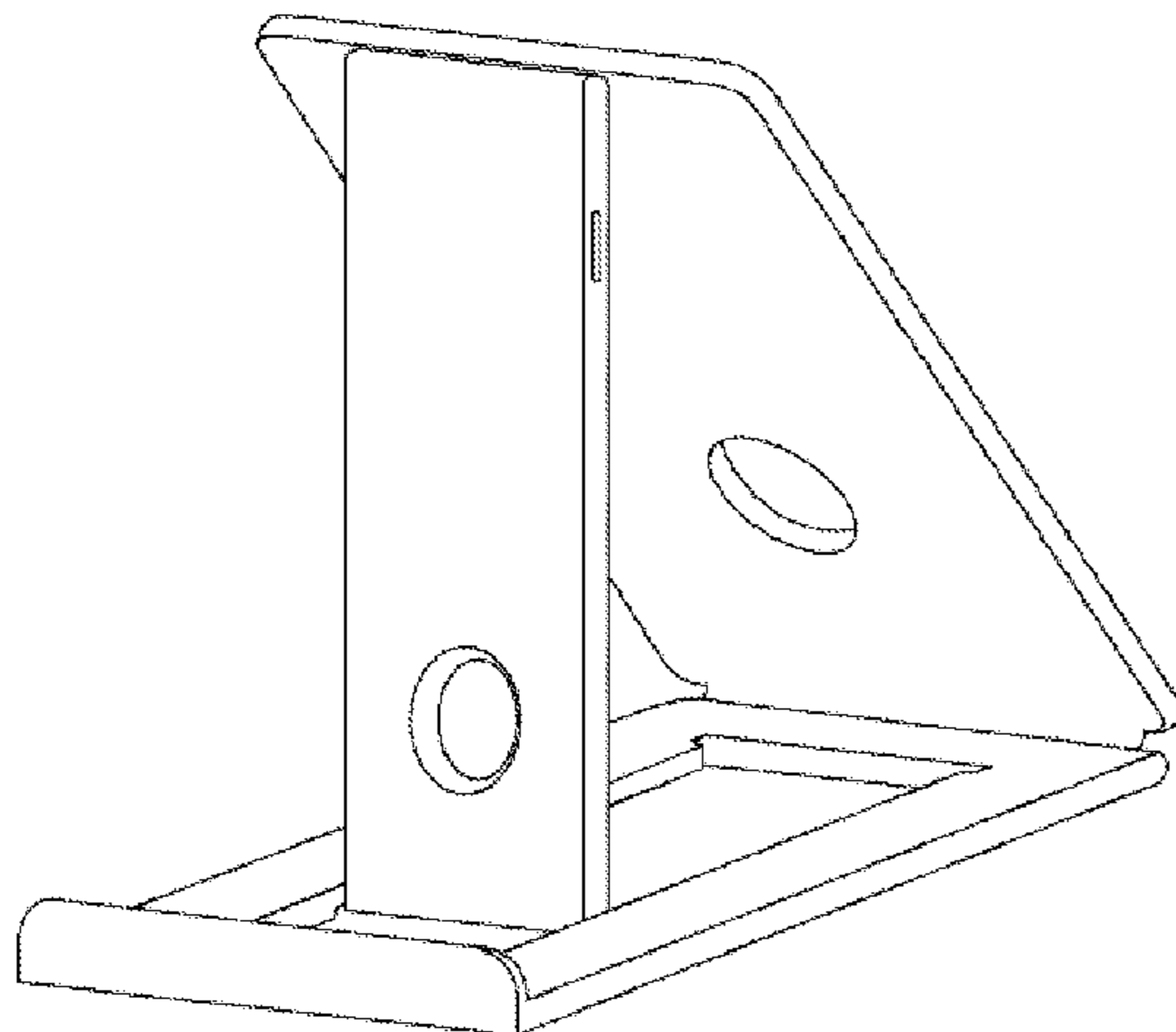
(57) **CLAIM**

The ornamental design for a foldable stand for portable hand-held electronic device, as shown and described.

**DESCRIPTION**

FIG. 1 is a front perspective view of the foldable stand for portable handheld electronic device;  
FIG. 2 is a front elevation view of thereof;  
FIG. 3 is a rear elevation view thereof;  
FIG. 4 is a right elevation view thereof;  
FIG. 5 is a left elevation view thereof;  
FIG. 6 is a top plan view thereof;  
FIG. 7 is a bottom plan view thereof;  
FIG. 8 is a perspective view of the foldable stand for portable handheld electronic device in a folded state;  
FIG. 9 is a front elevation view of FIG. 8;  
FIG. 10 is a rear elevation view of FIG. 8;  
FIG. 11 is a right elevation view of FIG. 8;  
FIG. 12 is a left elevation view of FIG. 8;  
FIG. 13 is a top plan view of FIG. 8;  
FIG. 14 is a bottom plan view of FIG. 8.  
FIG. 15 is a perspective view of the foldable stand for portable handheld electronic device in use; and,  
FIG. 16 is a perspective view thereof but shown in use with the device in another orientation.  
The electronic device shown in broken lines forms no part of the claimed design.

**1 Claim, 5 Drawing Sheets**



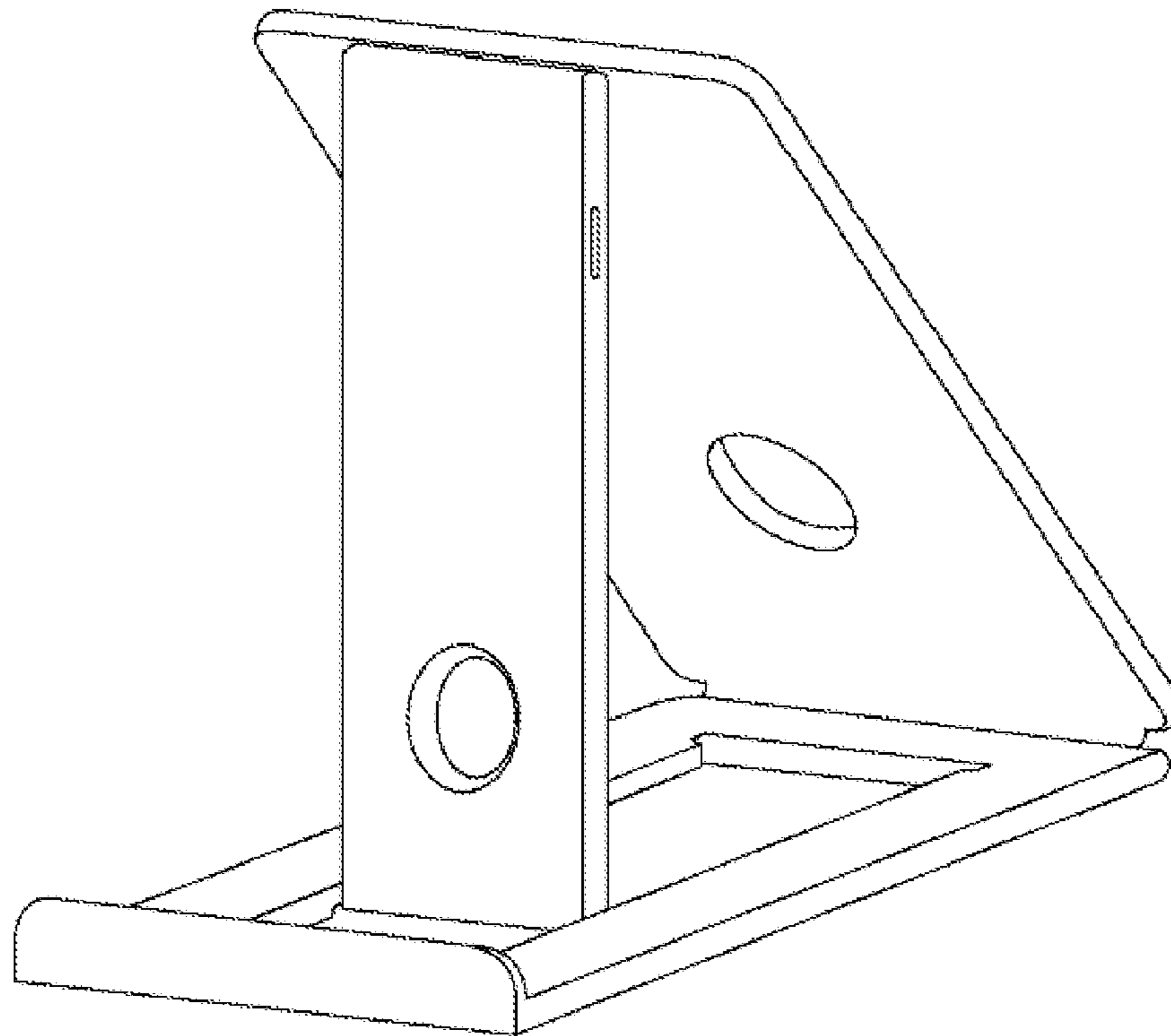


Fig. 1

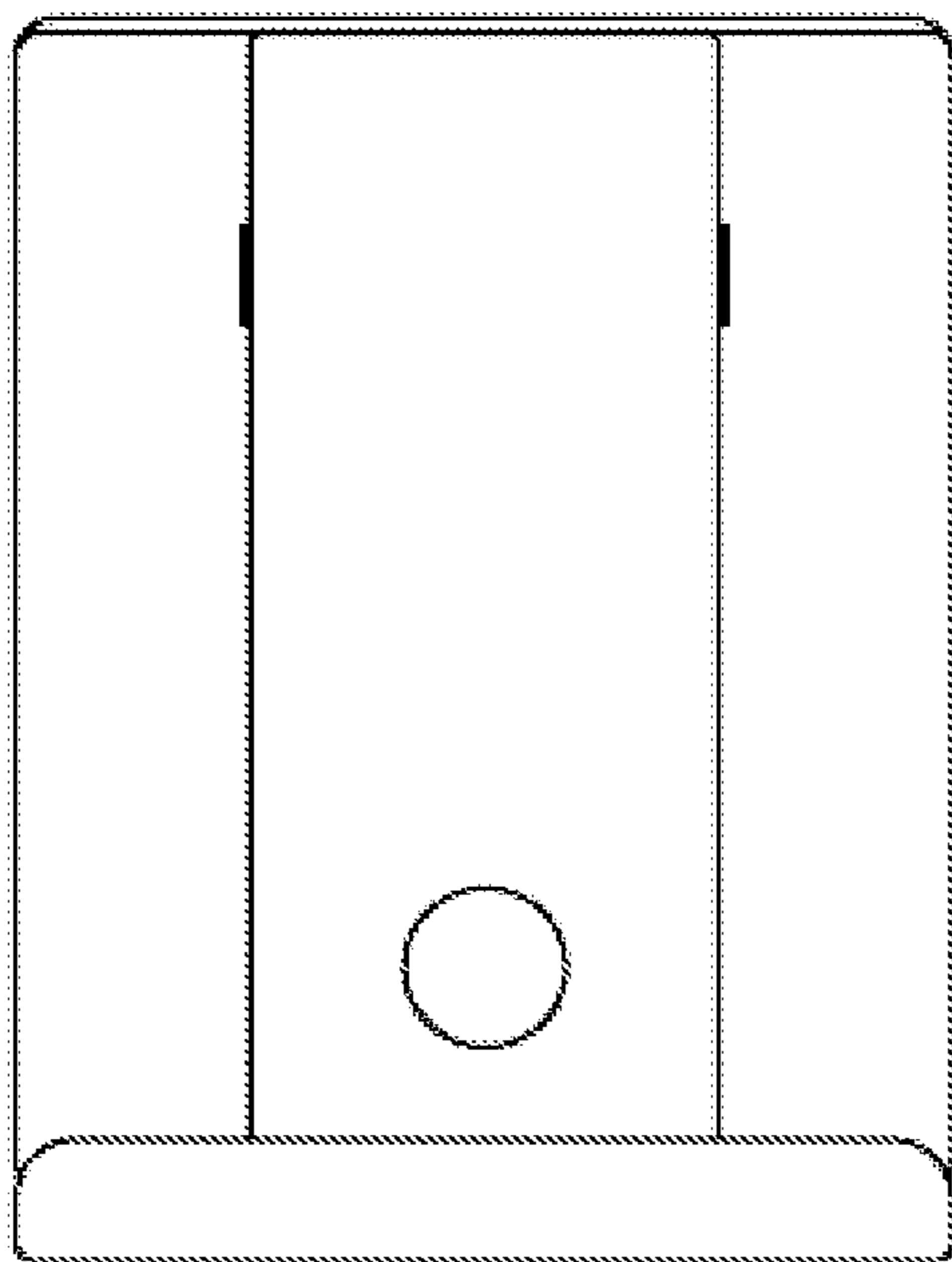


Fig. 2

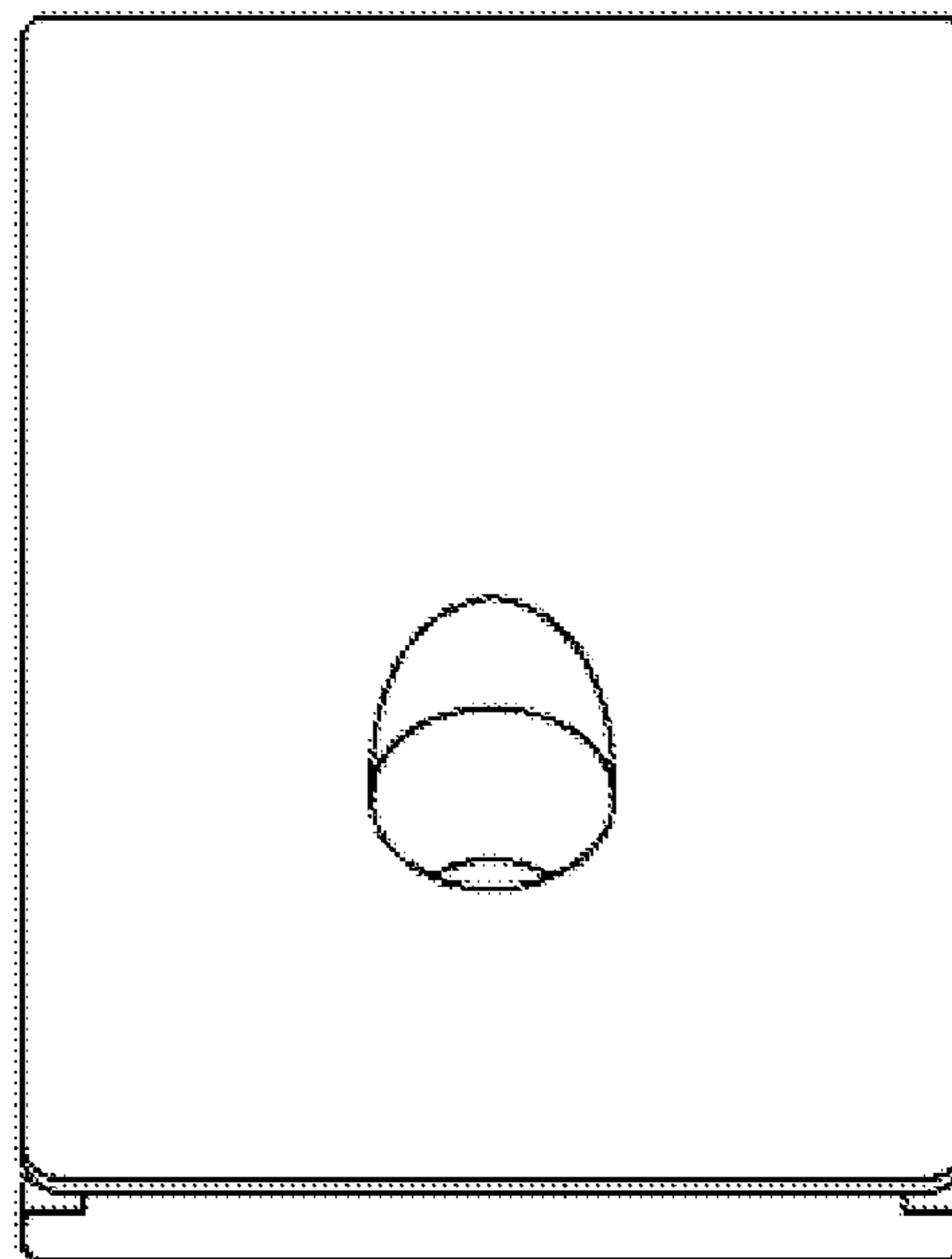


Fig. 3

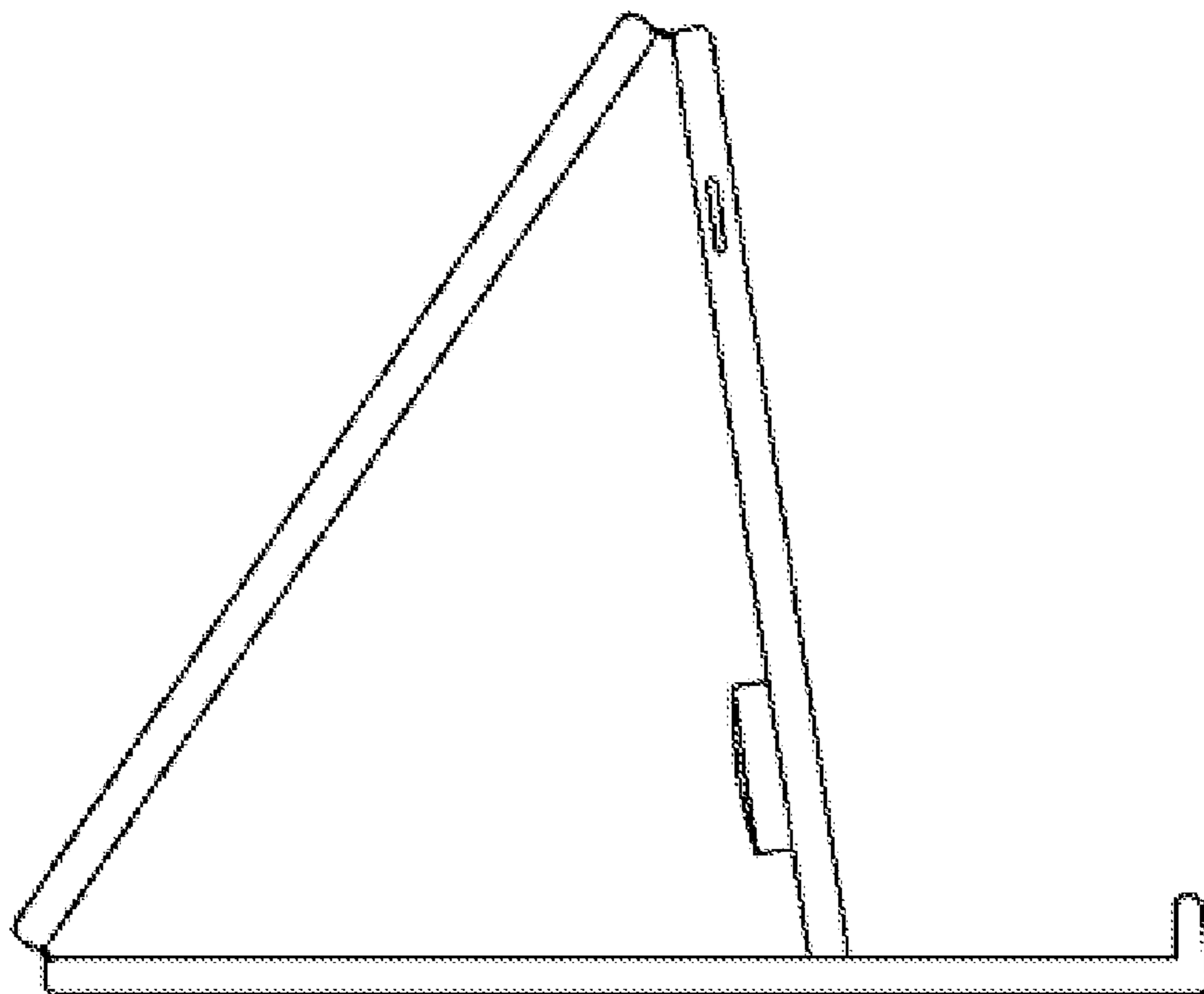


Fig. 4

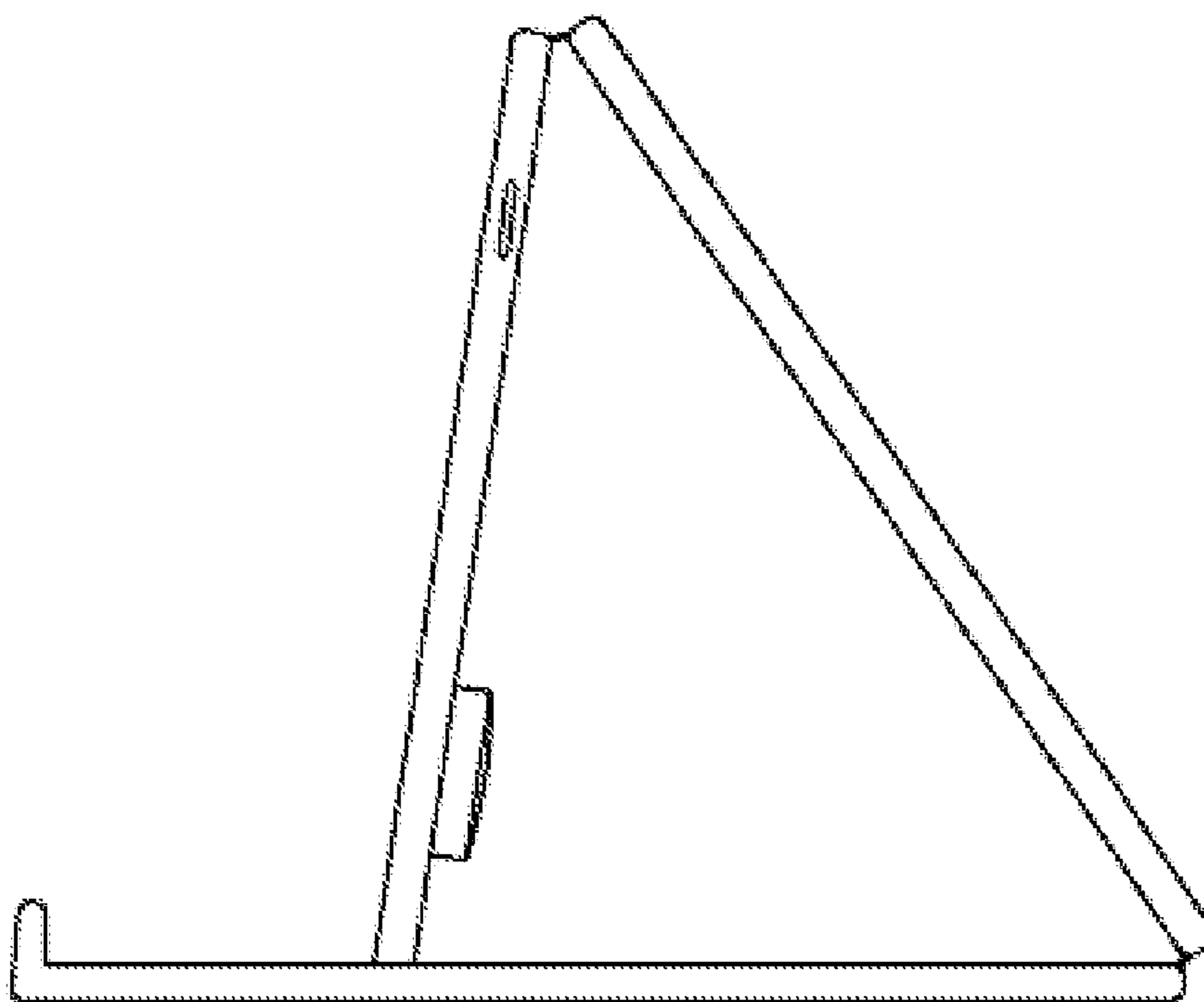


Fig. 5

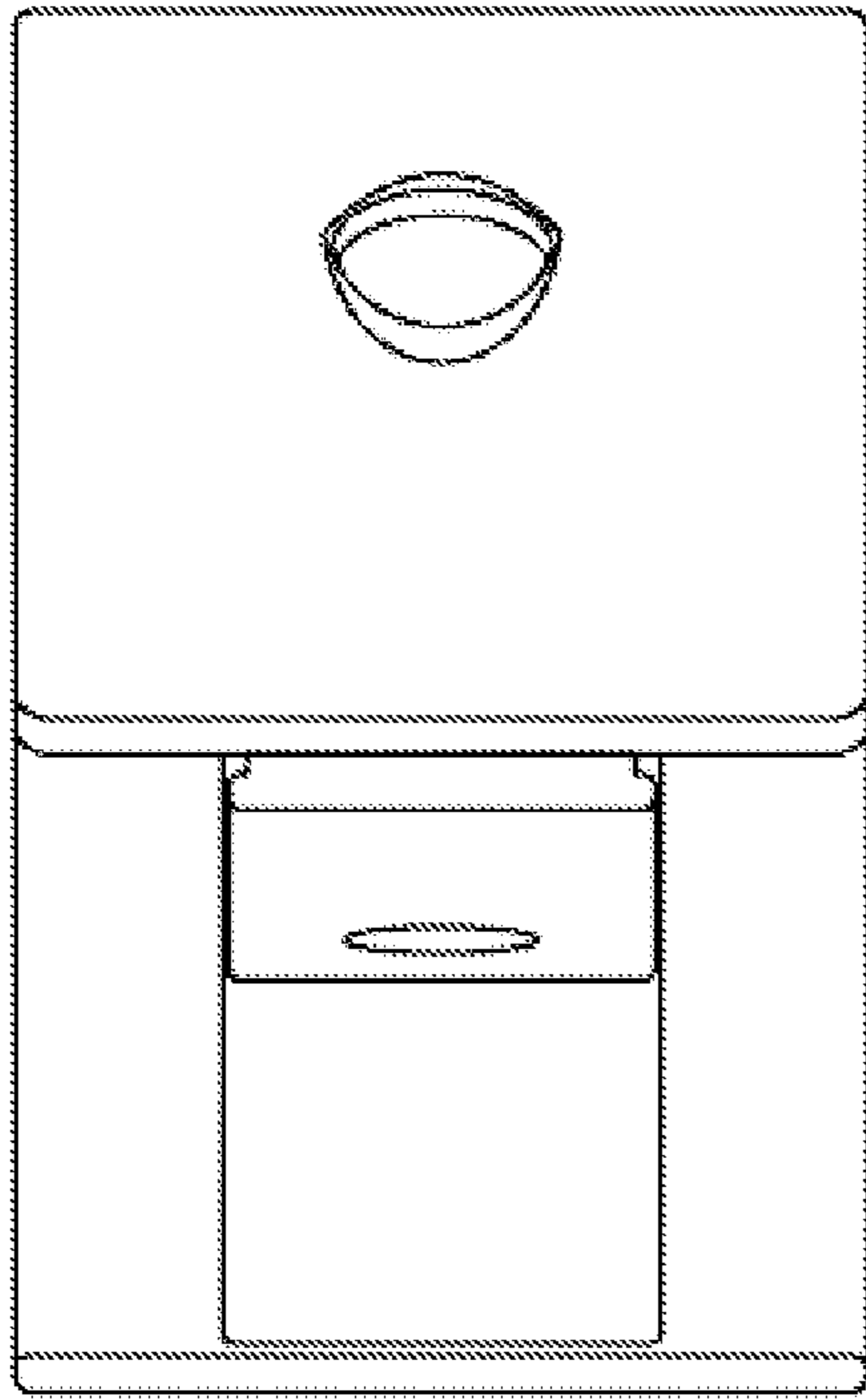


Fig. 6

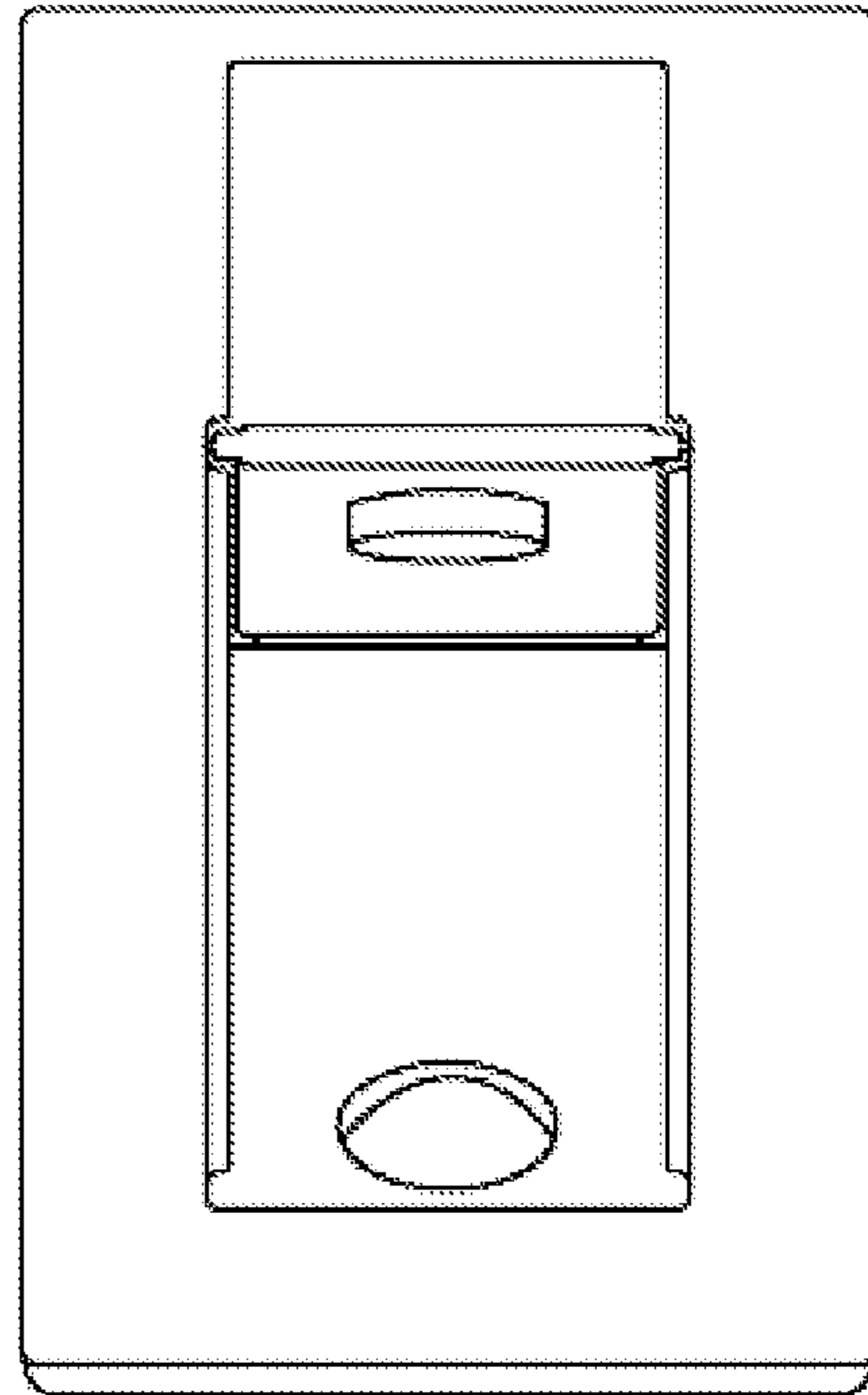


Fig. 7

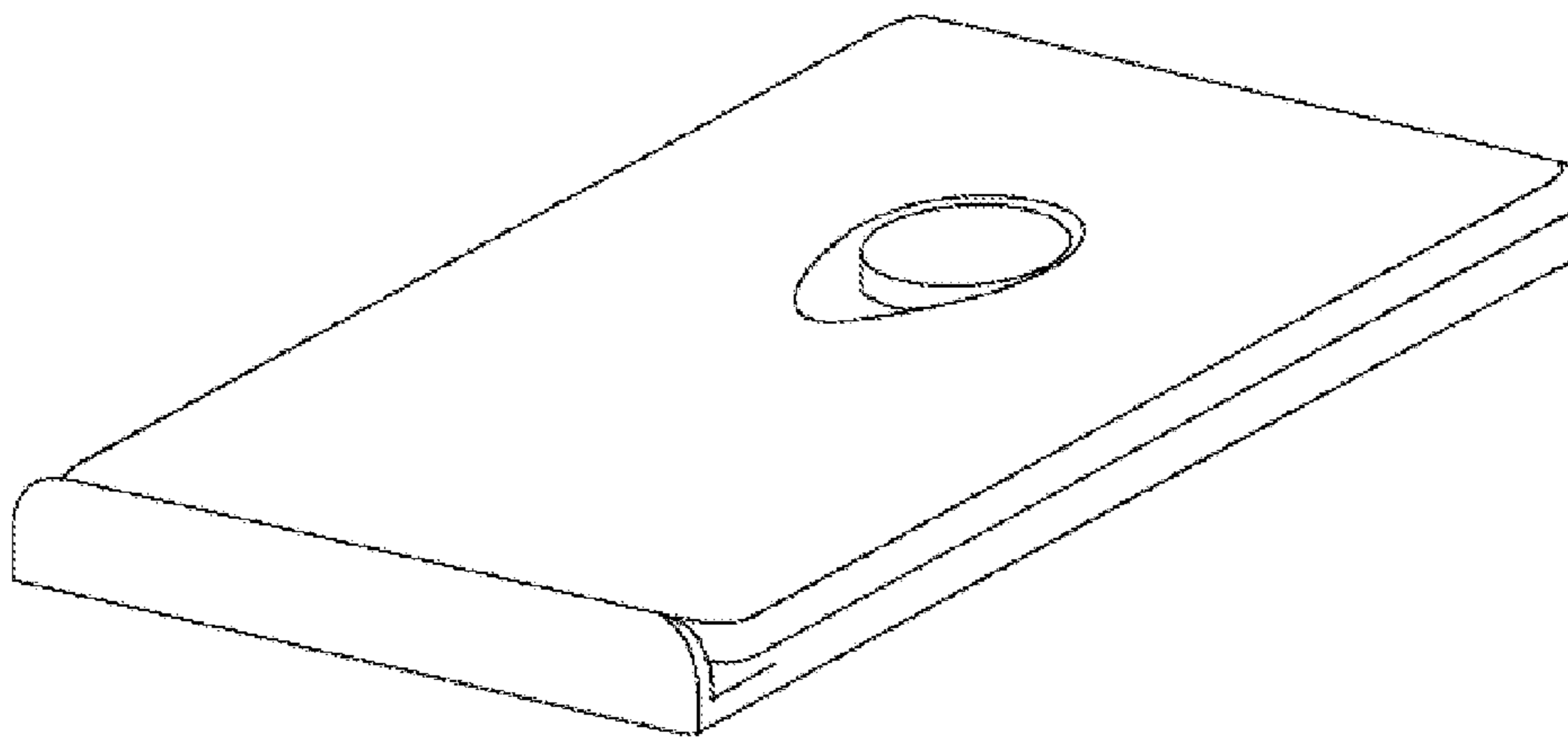


Fig. 8



Fig. 9



Fig. 10

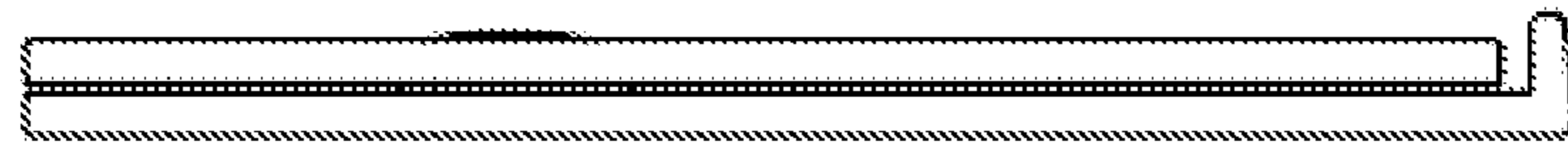


Fig. 11

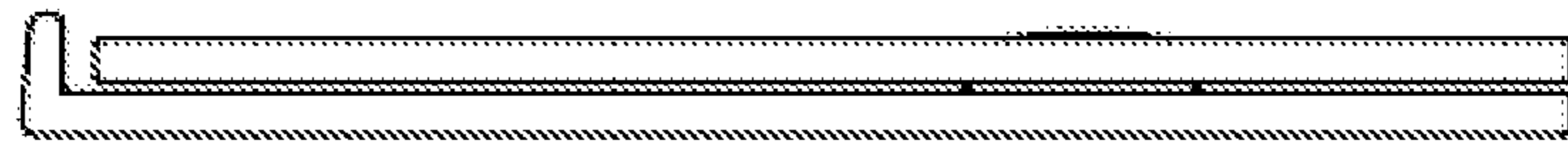


Fig. 12

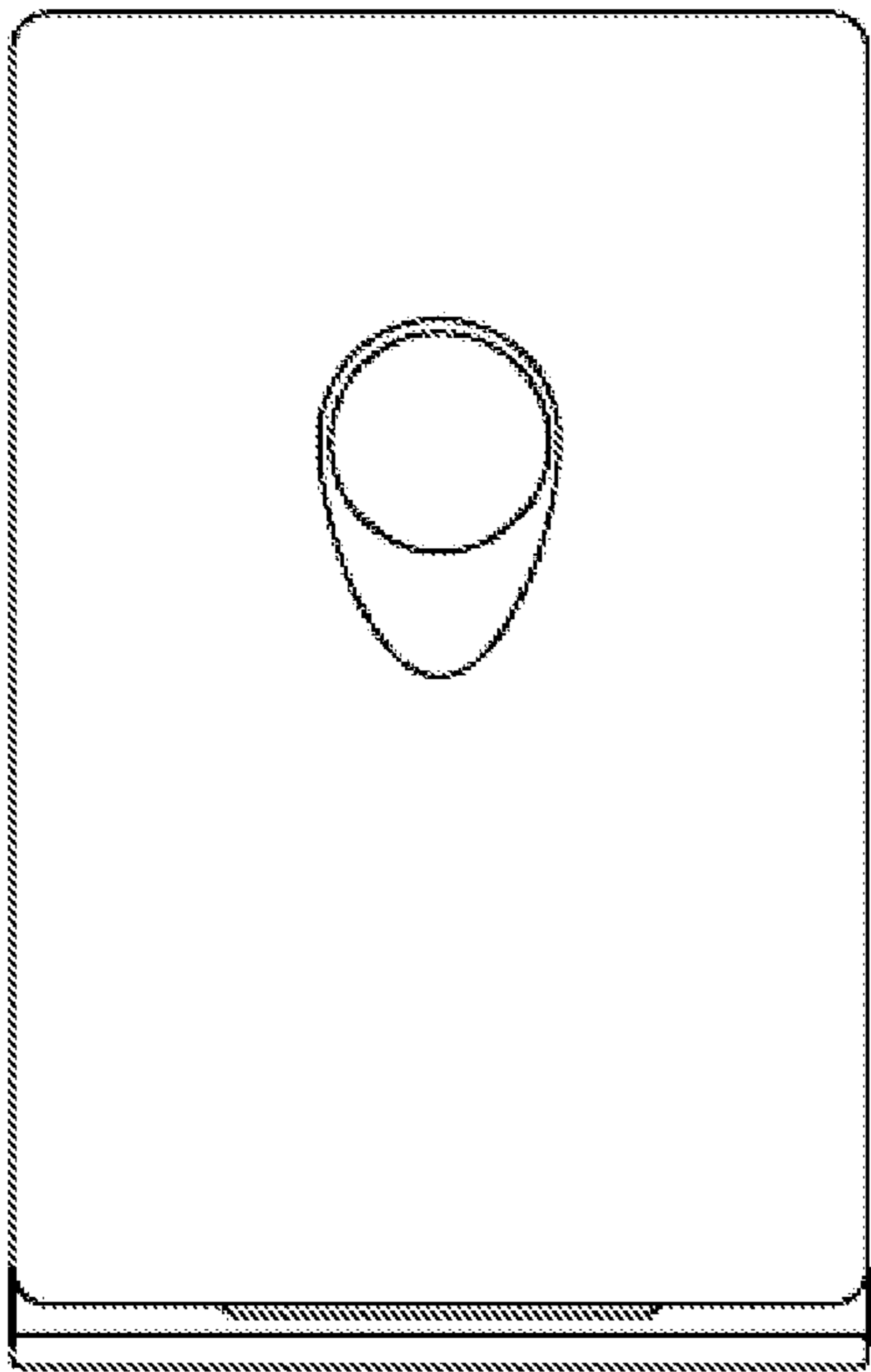


Fig. 13

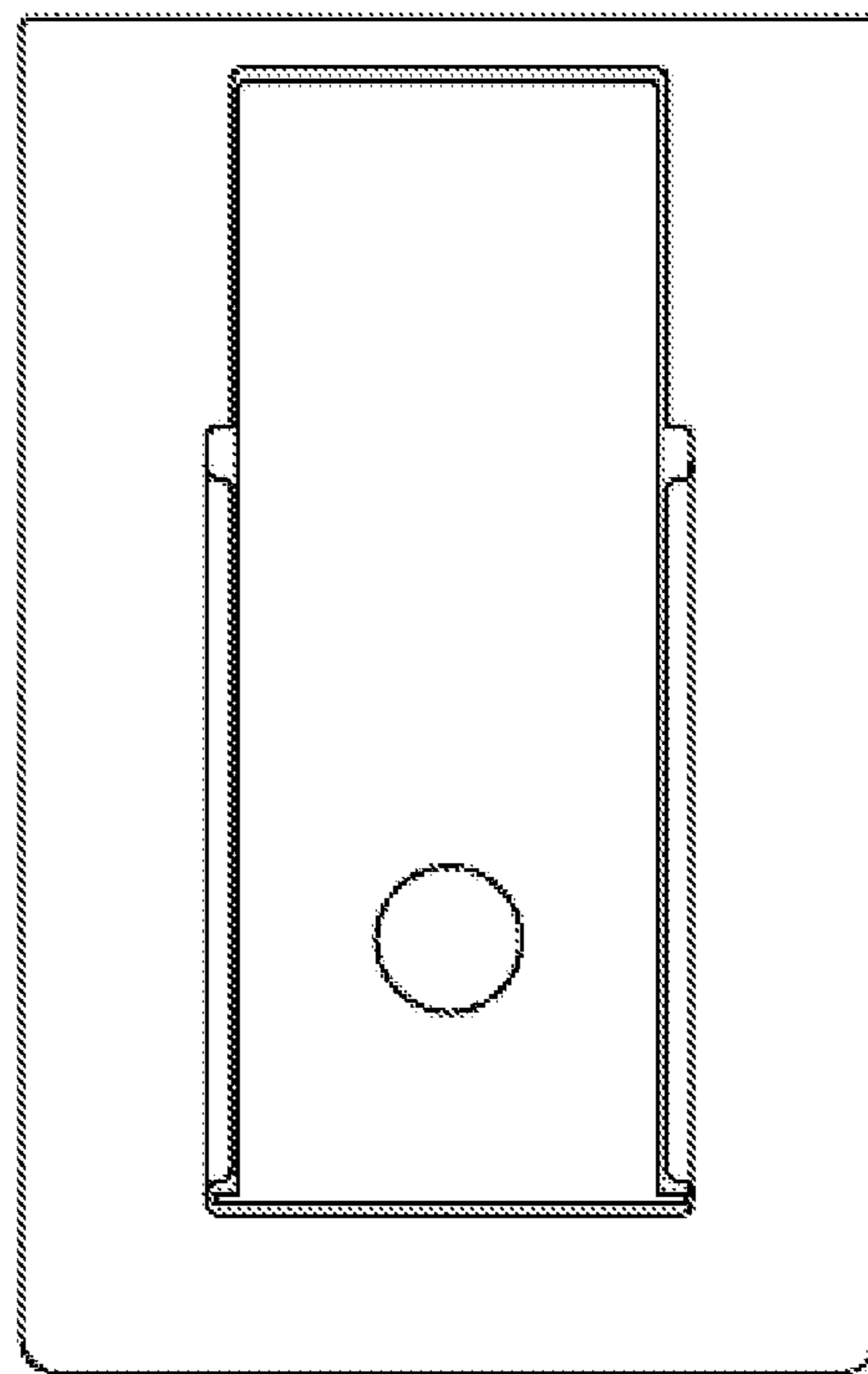


Fig. 14

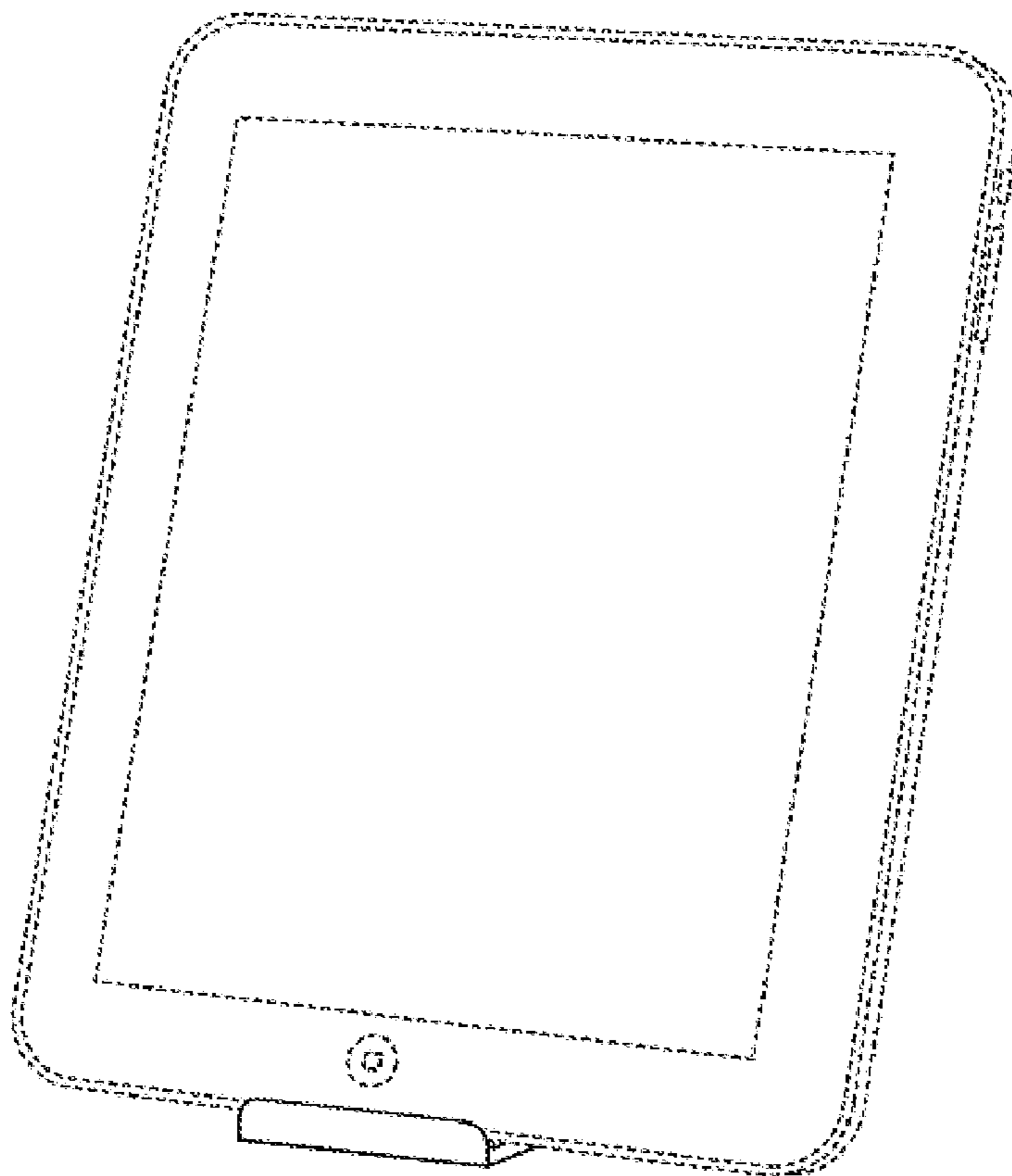


Fig. 15

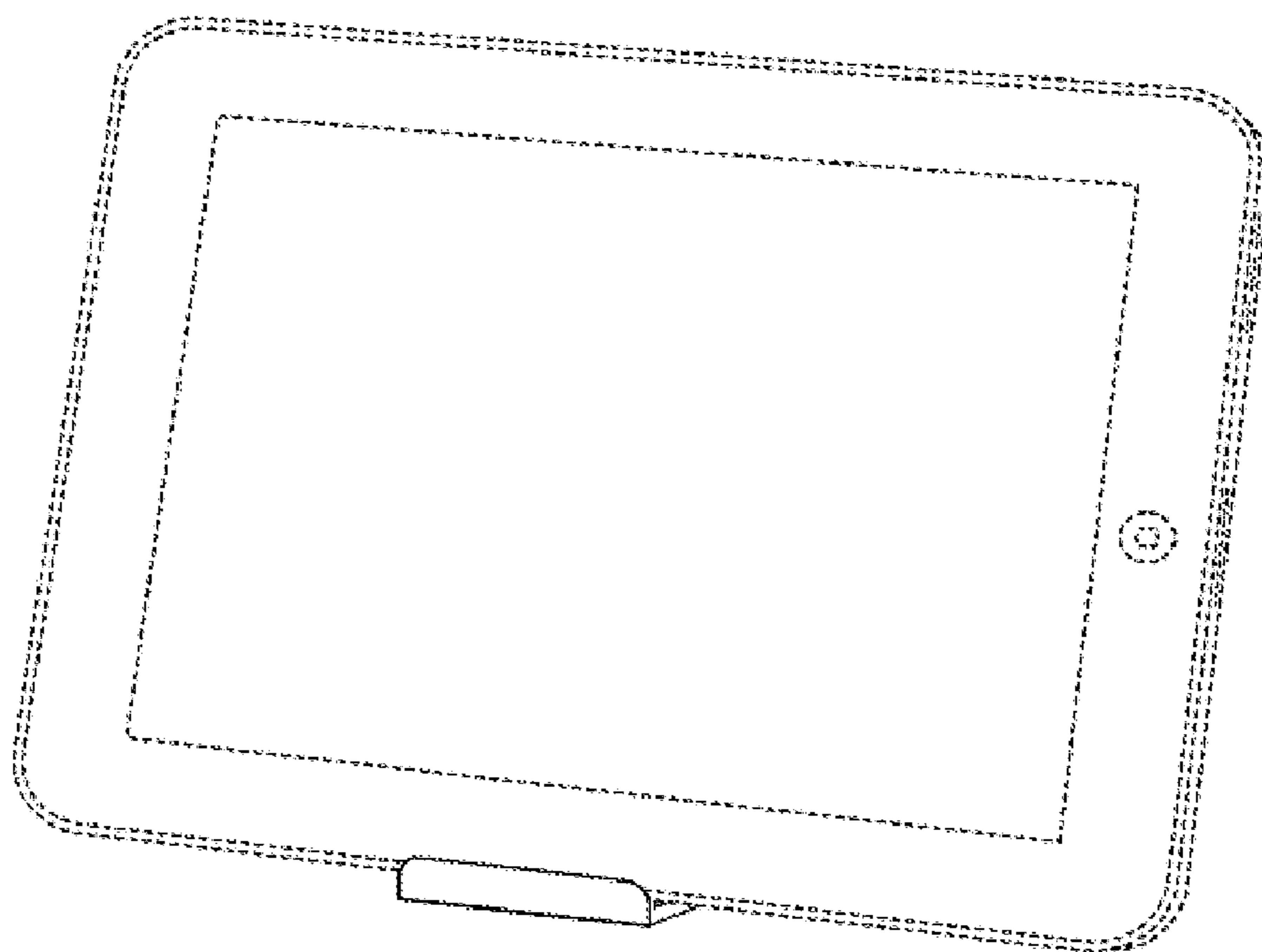


Fig. 16