



US00D639815S

(12) **United States Design Patent**
Lye

(10) **Patent No.:** **US D639,815 S**

(45) **Date of Patent:** **** Jun. 14, 2011**

(54) **PORTABLE ELECTRONIC DEVICE STAND**

(56) **References Cited**

(76) Inventor: **Kok Hong Lye**, Singapore (SG)

U.S. PATENT DOCUMENTS

(**) Term: **14 Years**

D317,760	S	*	6/1991	Esslinger	D14/451
5,467,952	A	*	11/1995	Martin	248/118.1
5,607,135	A	*	3/1997	Yamada	248/456
D449,598	S	*	10/2001	Britto et al.	D14/253
6,547,202	B2	*	4/2003	Paton	248/453
D510,357	S	*	10/2005	Lye	D14/447
D558,774	S	*	1/2008	Najima	D14/447
D573,598	S	*	7/2008	Chu	D14/447
D588,140	S	*	3/2009	Hsu et al.	D14/447
D604,734	S	*	11/2009	Leonard et al.	D14/374
D626,964	S	*	11/2010	Richardson et al.	D14/447
2004/0173725	A1	*	9/2004	Rodriguez Villanueva	..	248/454
2008/0251680	A1	*	10/2008	Matias	248/454

(21) Appl. No.: **29/367,688**

(22) Filed: **Aug. 11, 2010**

(51) **LOC (9) Cl.** **08-07**

(52) **U.S. Cl.** **D14/447**

(58) **Field of Classification Search** D14/447,
D14/451, 452, 373, 374, 375, 376, 432, 434,
D14/439, 448, 457, 126, 127, 129, 203.8,
D14/217, 224, 224.1, 238.1, 239, 251, 253;
D8/363, 373, 380; D6/406.1, 406.2, 406.3,
D6/406.4, 406.5, 406.6, 429, 462; 248/917-924,
248/441.1, 443, 445, 446, 447, 447.1, 453,
248/454, 455, 460, 463, 465.1, 472, 131,
248/150, 155.2, 155.4, 166, 434, 188.6, 346.3,
248/324; 361/679.02, 679.04, 679.06, 679.07,
361/679.09, 679.21, 679.26, 679.27, 679.3,
361/679.55, 379.56; 379/454, 455; 312/223.3

* cited by examiner

Primary Examiner — Angela J Lee

(57) **CLAIM**

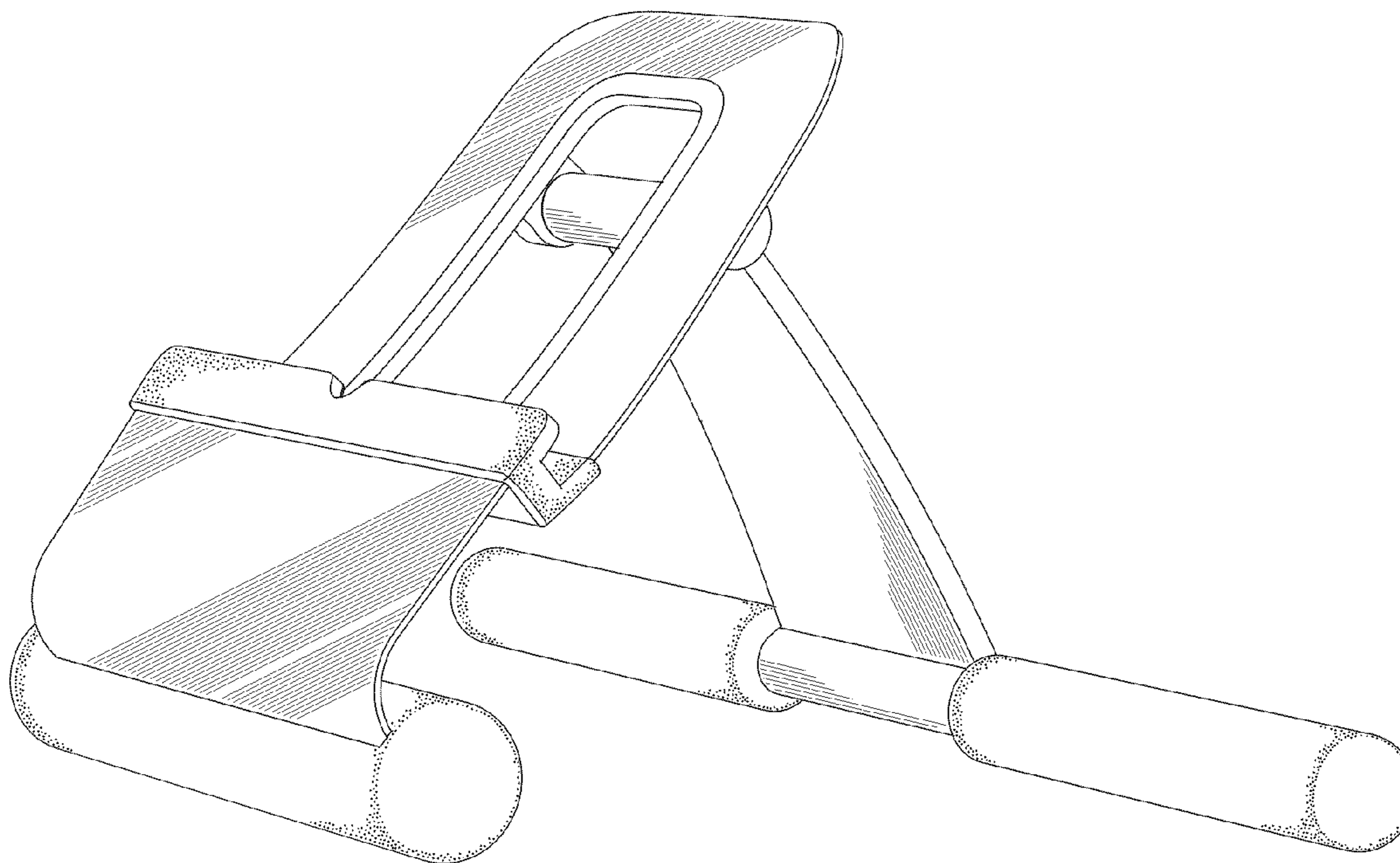
The ornamental design for a portable electronic device stand, as shown and described.

DESCRIPTION

FIG. 1 is a perspective view of a portable electronic device stand showing my new design;
FIG. 2 is a right side elevational view thereof;
FIG. 3 is a top plan view thereof; and,
FIG. 4 is a front view thereof.

1 Claim, 2 Drawing Sheets

See application file for complete search history.



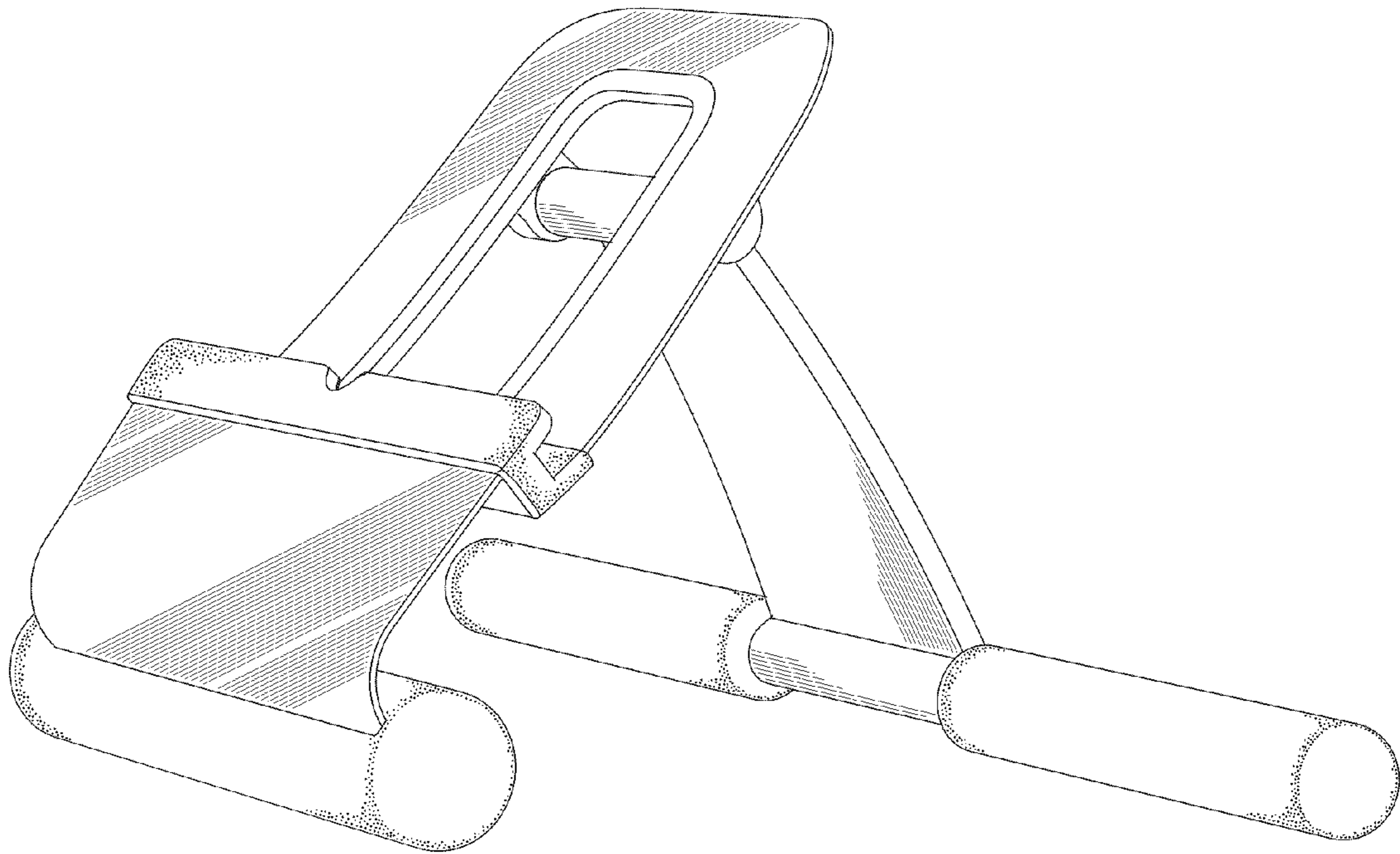


Fig. 1

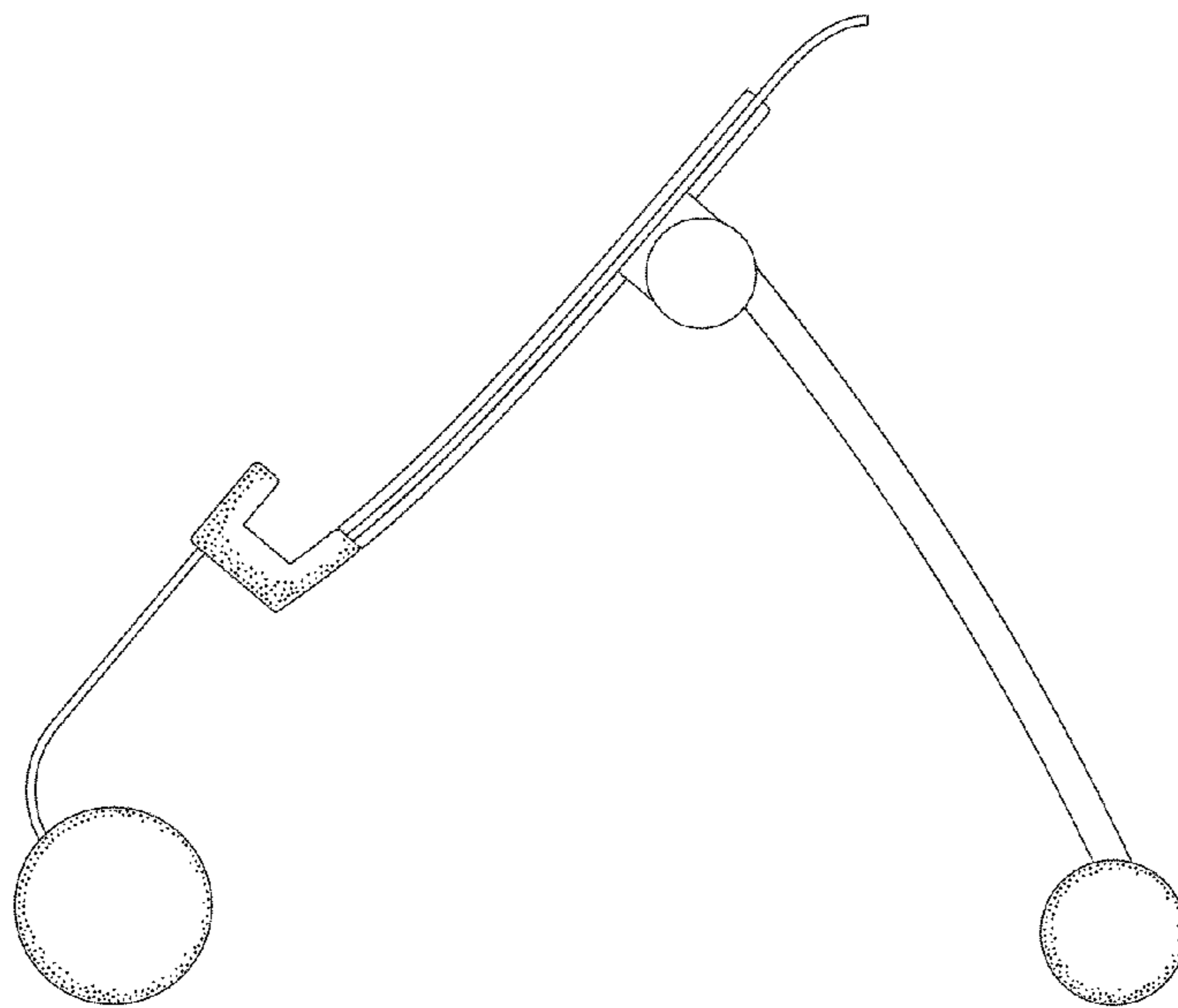


Fig. 2

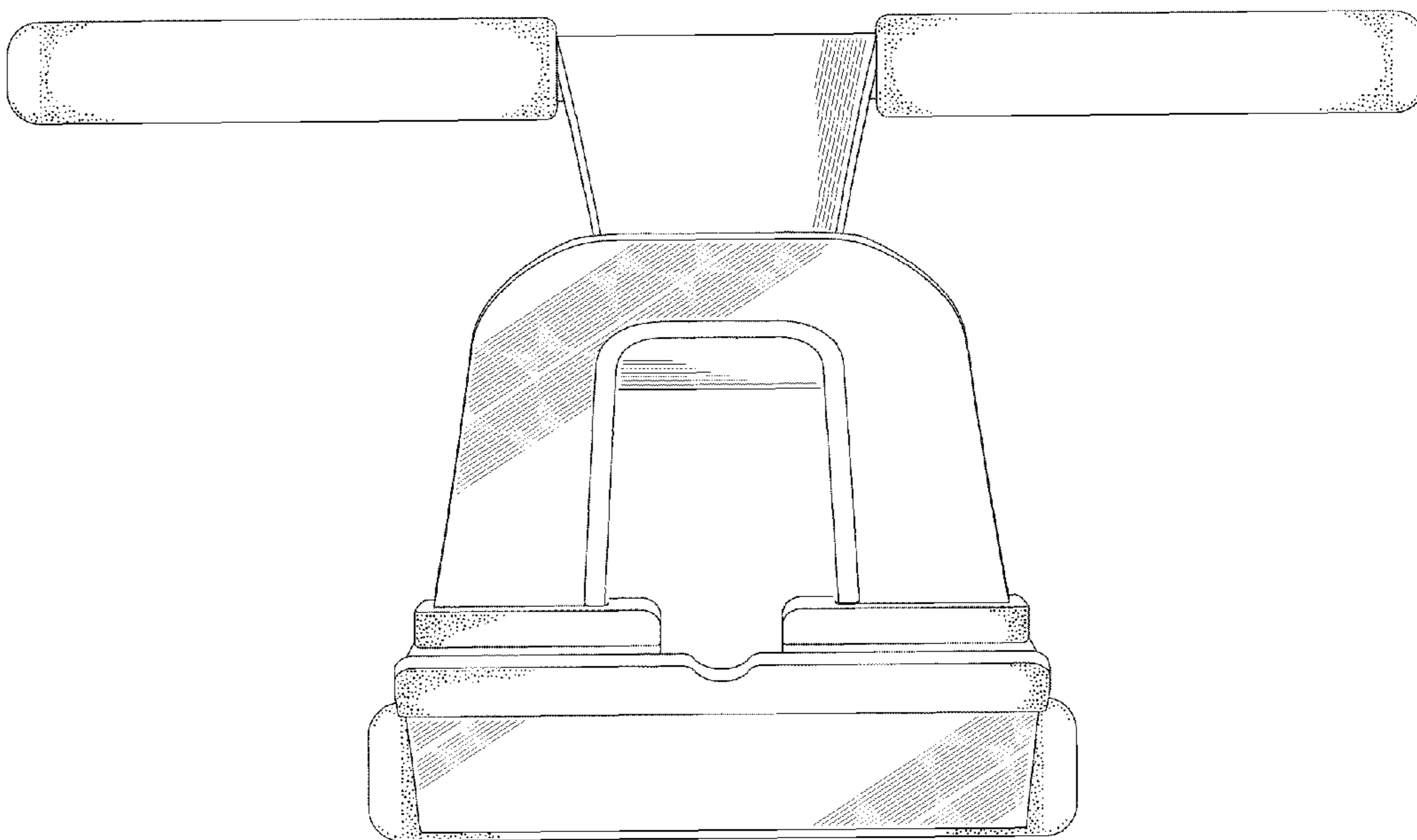


Fig. 3

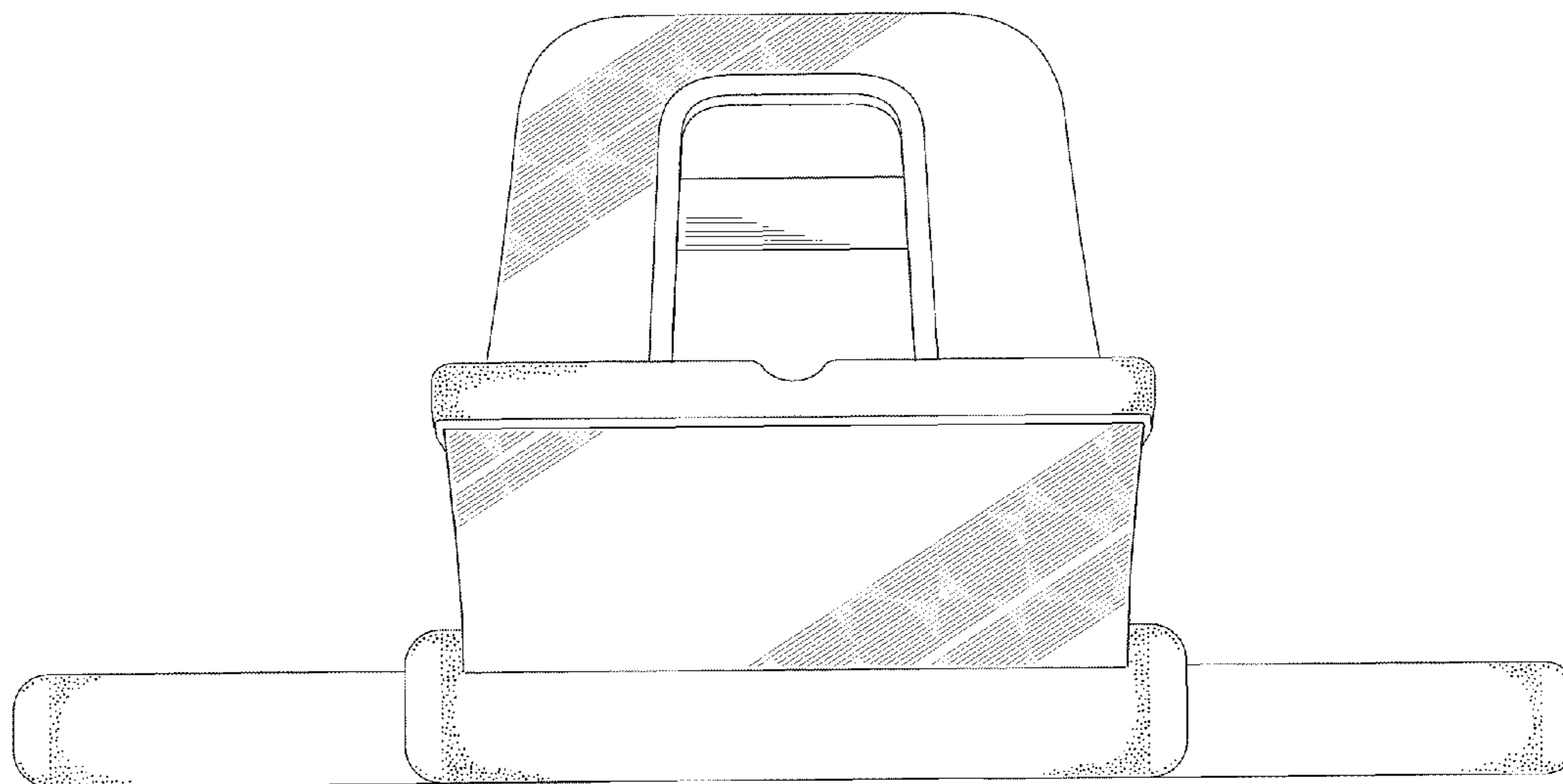


Fig. 4