



US00D639814S

(12) **United States Design Patent**
Farris-Gilbert et al.

(10) **Patent No.:** **US D639,814 S**
(45) **Date of Patent:** **** Jun. 14, 2011**

(54) **COLLAPSIBLE SUPPORT DEVICE**

(75) Inventors: **Cezanne-Simon Farris-Gilbert**, Long Beach, CA (US); **Arjun Adamson-Mohan**, San Francisco, CA (US)

(73) Assignee: **XFX Creation, Inc.**, Hong Kong (CN)

(**) Term: **14 Years**

(21) Appl. No.: **29/364,160**

(22) Filed: **Jun. 18, 2010**

(51) **LOC (9) Cl.** **08-07**

(52) **U.S. Cl.** **D14/447**

(58) **Field of Classification Search** D14/447,
D14/451, 452, 373, 374, 375, 376, 432, 434,
D14/439, 448, 457, 126, 127, 129, 203.8,
D14/217, 224, 224.1, 238.1, 239, 251, 253;
D8/363, 373, 380; D6/406.1, 406.2, 406.3,
D6/406.4, 406.5, 406.6, 429, 462; 248/917-924,
248/441.1, 443, 445, 446, 447, 447.1, 453,
248/454, 455, 460, 463, 465.1, 472, 131,
248/150, 155.2, 155.4, 166, 434, 188.6, 346.3,
248/324; 361/679.02, 679.04, 679.06, 679.07,
361/679.09, 679.21, 679.26, 679.27, 679.3,
361/679.55, 379.56; 379/454, 455; 312/223.3

See application file for complete search history.

(56) **References Cited**

U.S. PATENT DOCUMENTS

502,601 A * 8/1893 Anderson et al.

(Continued)

FOREIGN PATENT DOCUMENTS

EP 0 837 386 4/1998

(Continued)

OTHER PUBLICATIONS

AViiQ Aluminum Laptop Stand—World’s Thinnest Laptop Stand, Nov. 28, 2010, <http://techiser.com/aviiq-aluminum-laptop-stand-130868.html>, viewed on Feb. 4, 2011.*

(Continued)

Primary Examiner — Angela J Lee

(74) *Attorney, Agent, or Firm* — Seed IP Law Group PLLC

(57) **CLAIM**

The ornamental design for a collapsible support device, as shown and described.

DESCRIPTION

FIG. 1 is an isometric view of the collapsible support device in a first position.

FIG. 2 is a top plan view thereof in the first position, and a bottom plan view thereof is identical to the top plan view.

FIG. 3 is a left side view thereof in the first position, and a right side view thereof is identical to the left side view.

FIG. 4 is a front view thereof in the first position, and a rear view thereof is identical to the front view.

FIG. 5 is an isometric view of the collapsible support device in a second position.

FIG. 6 is a bottom plan view thereof in the second position.

FIG. 7 is a top plan view thereof in the second position.

FIG. 8 is a left side view thereof in the second position.

FIG. 9 is a right side view thereof in the second position.

FIG. 10 is a front view thereof in the second position.

FIG. 11 is a rear view thereof in the second position.

FIG. 12 is an isometric view of the collapsible support device in a third position.

FIG. 13 is a left side view thereof in the third position.

FIG. 14 is a bottom plan view thereof in the third position.

FIG. 15 is a rear view thereof in the third position.

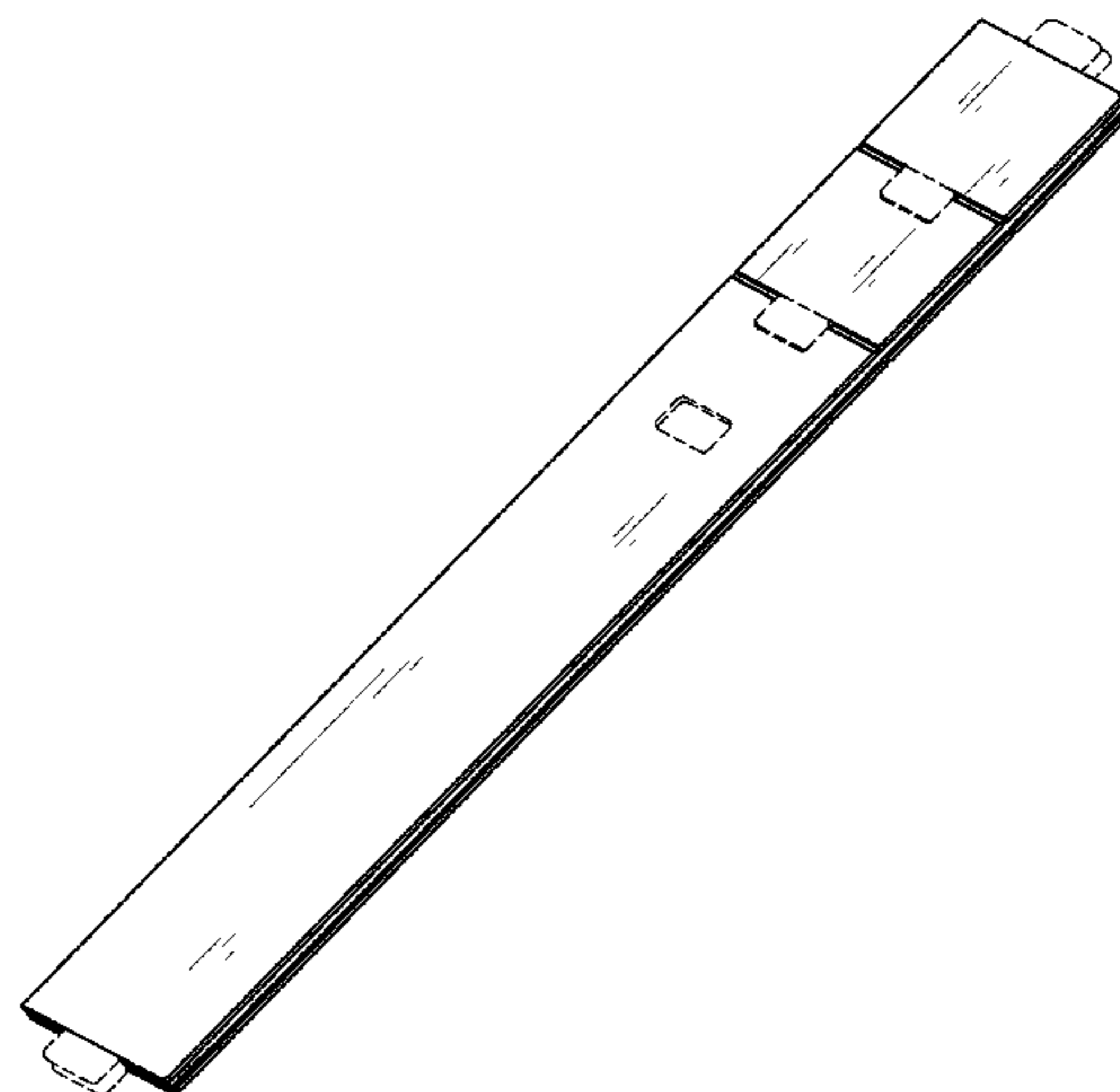
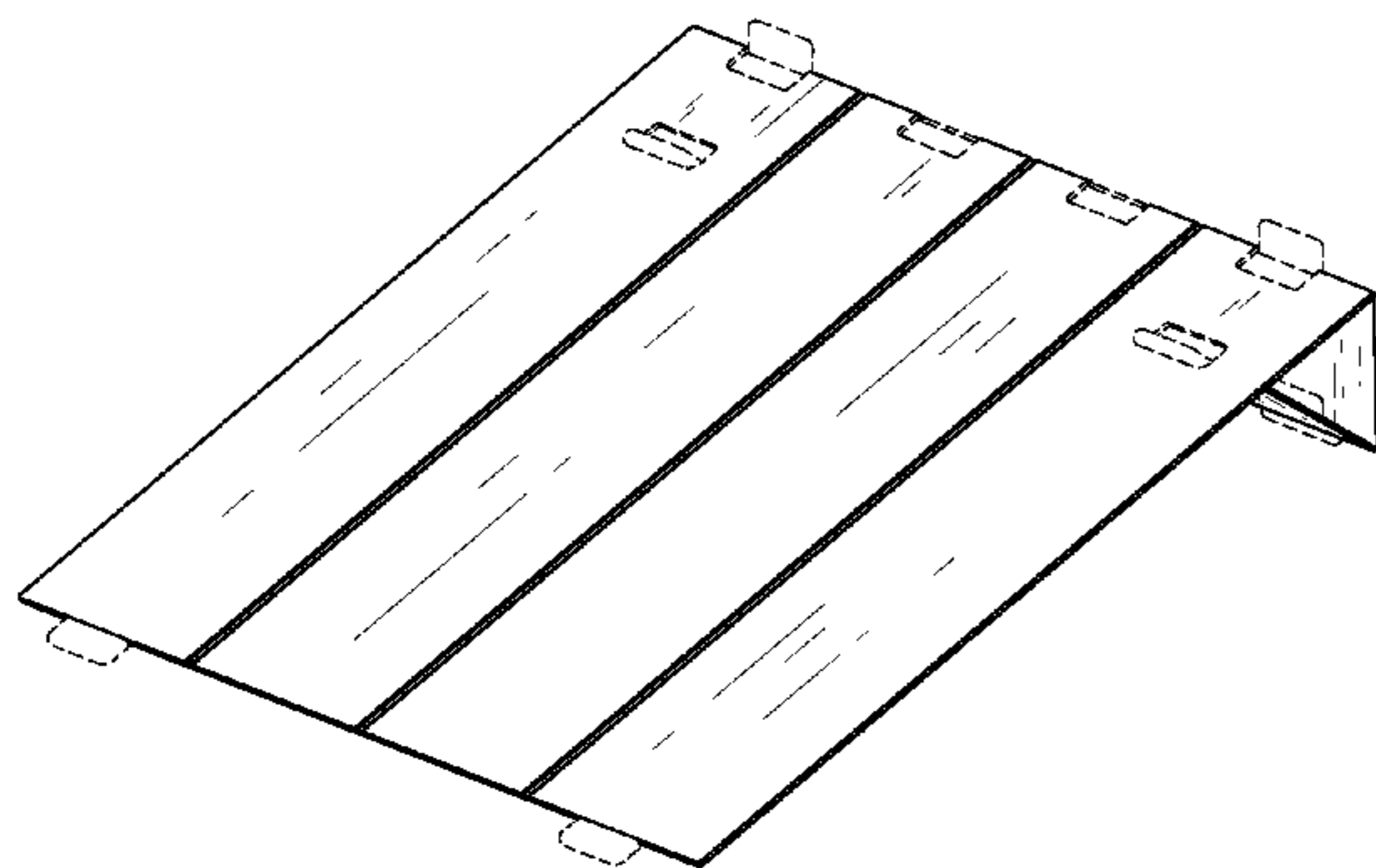
FIG. 16 is a right side view thereof in the third position.

FIG. 17 is a top plan view thereof in the third position; and,

FIG. 18 is a front view thereof in the third position.

The portions of the collapsible support device shown in broken lines form no part of the claimed design.

1 Claim, 12 Drawing Sheets



U.S. PATENT DOCUMENTS

524,926	A *	8/1894	Anderson et al.	
525,356	A *	9/1894	Nelson	
527,108	A *	10/1894	Cooper	
681,976	A *	6/1901	Rathvon	
971,634	A *	10/1910	Pilsbry	
1,096,327	A *	5/1914	Throniley	
1,275,195	A *	8/1918	Apple	
1,409,525	A *	3/1922	Cox	
1,822,261	A *	9/1931	Apple	
1,913,790	A *	6/1933	Buntschu et al.	
1,983,439	A *	12/1934	De Vore	
2,454,526	A *	11/1948	Savastand	
2,677,211	A *	5/1954	Luketa	
2,720,251	A *	10/1955	Luketa	
3,167,036	A *	1/1965	Brossard	
3,381,928	A *	5/1968	White	
3,920,276	A	11/1975	Sparrow	297/142
4,085,961	A	4/1978	Brown	296/37.6
4,199,125	A	4/1980	Simon	246/441 A
4,307,672	A	12/1981	Shikimi	108/139
4,313,112	A	1/1982	Foster	340/700
4,437,638	A	3/1984	Scheibenpflug	248/282
4,500,134	A	2/1985	Kaneko et al.	297/170
4,515,086	A	5/1985	Kwecinski et al.	108/96
4,522,364	A	6/1985	Charney et al.	248/460
4,562,987	A	1/1986	Leeds et al.	248/278
4,567,835	A	2/1986	Reese et al.	108/7
4,571,456	A	2/1986	Paulsen et al.	179/2 C
4,600,255	A	7/1986	Dubarko	312/333
4,619,429	A	10/1986	Mazza	248/447.2
4,624,433	A *	11/1986	Henneberg	248/346.06
4,635,893	A	1/1987	Nelson	248/558
4,657,214	A	4/1987	Foster	248/176
4,685,647	A	8/1987	Calhoun	248/444.1
4,706,575	A	11/1987	Hamlin	108/102
4,708,312	A	11/1987	Rohr	248/280.1
4,717,112	A	1/1988	Pirkle	248/639
4,742,478	A	5/1988	Nigro, Jr. et al.	364/708
4,747,572	A	5/1988	Weber	248/442.2
4,790,506	A	12/1988	Malinowski et al.	248/441.1
4,830,328	A	5/1989	Takach, Jr. et al.	248/639
4,832,303	A	5/1989	Myeeo	248/444.1
4,863,124	A	9/1989	Ball et al.	108/28
4,863,140	A	9/1989	Schriner	248/639
4,893,775	A	1/1990	Long	248/442.2
4,913,502	A	4/1990	Russell	312/233
4,934,853	A	6/1990	King, III	400/718
4,974,808	A	12/1990	Ball	248/917
D321,293	S *	11/1991	Kucsak	D6/419
5,106,047	A	4/1992	Baer	248/459
5,122,941	A	6/1992	Gross et al.	362/276
D328,314	S *	7/1992	MacEwan	D19/91
5,149,047	A	9/1992	Tucker	248/459
5,260,884	A	11/1993	Stern	364/708.1

D348,081	S *	6/1994	Cady	D19/91
5,323,291	A	6/1994	Boyle et al.	361/683
5,383,643	A	1/1995	Koch	248/447
D358,271	S *	5/1995	Leveen et al.	D6/419
5,436,792	A	7/1995	Leman et al.	361/686
5,452,531	A	9/1995	Graville et al.	38/104
5,503,361	A	4/1996	Kan-O et al.	248/688
D372,371	S *	8/1996	Grove, Jr.	D6/419
5,552,960	A	9/1996	Nelson et al.	361/687
D377,276	S *	1/1997	Hirsch et al.	D6/419
5,633,782	A	5/1997	Goodman et al.	361/683
5,704,212	A	1/1998	Erler et al.	62/3.2
5,722,628	A *	3/1998	Menaged	248/441.1
5,769,369	A	6/1998	Meinel	248/176.1
5,771,814	A	6/1998	Clausen	108/93
5,788,575	A *	8/1998	Fluster	248/463
5,818,360	A	10/1998	Chu et al.	341/22
5,822,185	A	10/1998	Cavello	361/686
5,832,840	A	11/1998	Woof	108/6
5,871,094	A	2/1999	Leibowitz	206/320
5,899,421	A	5/1999	Silverman	248/175
D413,872	S *	9/1999	Jessen	D14/447
6,116,562	A	9/2000	Griffin	248/444.1
6,186,343	B1 *	2/2001	Brown	211/40
6,256,193	B1	7/2001	Janik et al.	361/683
6,266,241	B1	7/2001	Van Brocklin et al.	361/687
6,305,652	B1	10/2001	Borke et al.	248/174
D451,306	S *	12/2001	Dow	D6/474
6,352,233	B1	3/2002	Barberich	248/676
D455,755	S *	4/2002	Levine et al.	D14/447
D459,397	S *	6/2002	Zeller et al.	D19/88
6,490,154	B2	12/2002	Thompson	361/686
6,491,278	B1	12/2002	Thomsen	248/460
6,543,949	B1	4/2003	Ritchey et al.	400/691
6,545,864	B2	4/2003	Davis, IV	361/683
D494,977	S *	8/2004	Persson	D14/447
6,913,238	B2	7/2005	Bakker et al.	248/460
D534,730	S *	1/2007	Hardy	D6/312
2002/0162935	A1 *	11/2002	Hardy	248/460
2006/0285283	A1 *	12/2006	Simonian et al.	361/679
2010/0276381	A1 *	11/2010	Howlett	211/59.2
2010/0276560	A1 *	11/2010	Farris-Gilbert et al.	248/346.3
2010/0301187	A1 *	12/2010	Peet	248/447

FOREIGN PATENT DOCUMENTS

JP	06-232567	8/1994
NL	1003469	3/2001
WO	00/17736	3/2000

OTHER PUBLICATIONS

All Office Magazine, Fall 1998, pp. 1, 3, 7, 19-25.
 BK Products, Disk-Bay CD & Storage System, <http://www.be-ken.com/index.htm>, download dated Apr. 20, 2000, 1 page.
 Information brochure of Bakker, Elkhuiszen Ergonomic, 2 pages.

* cited by examiner

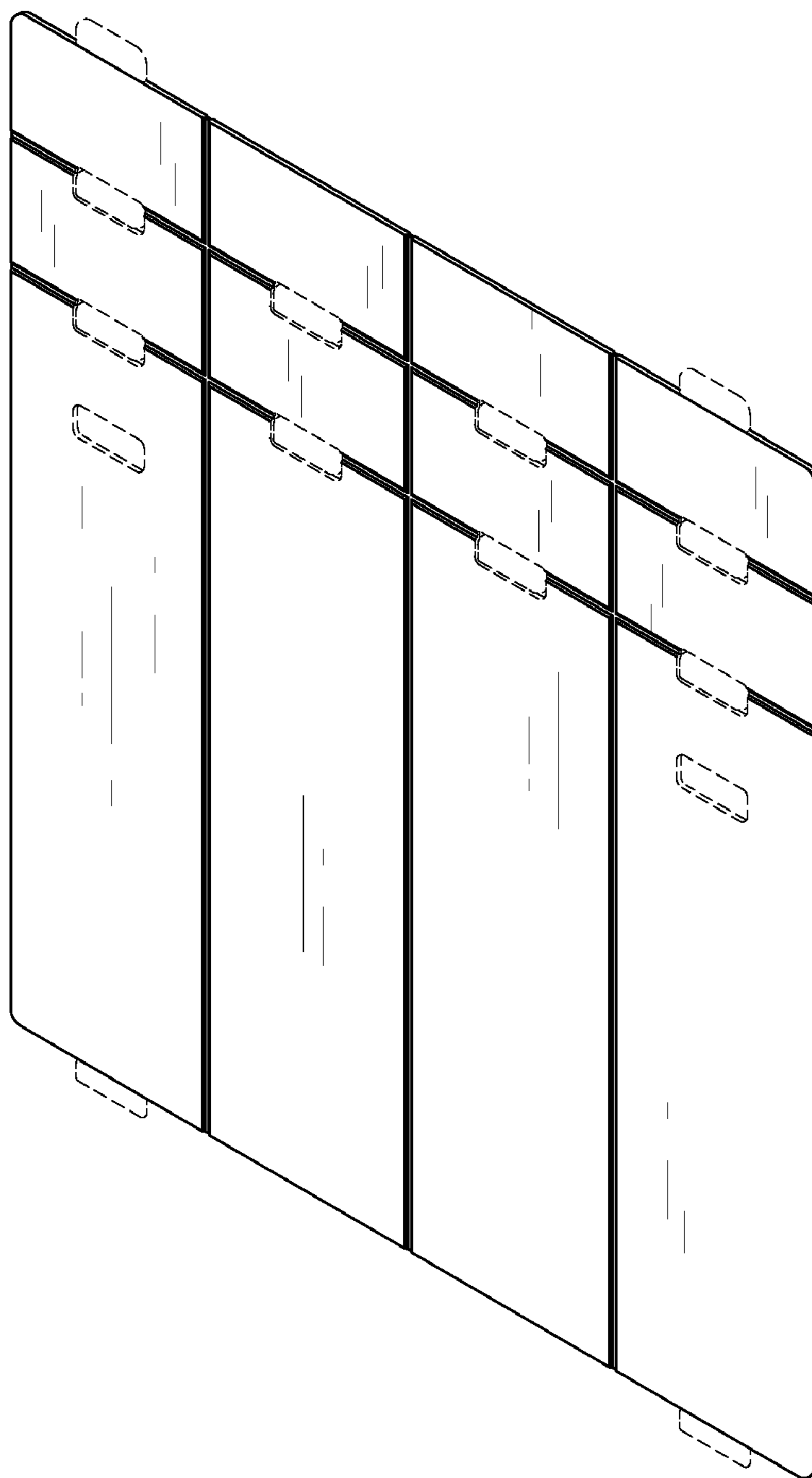


FIG. 1

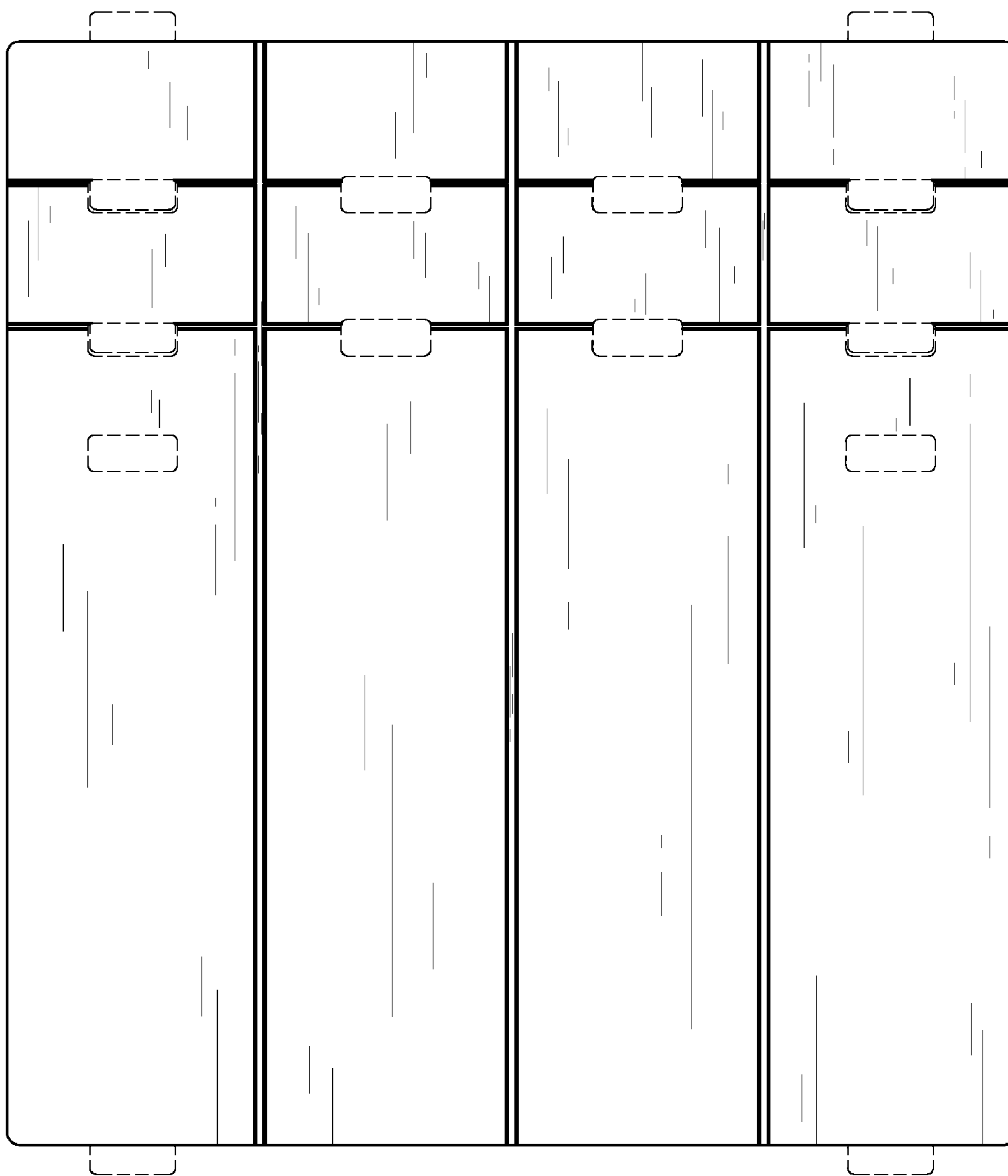


FIG. 2



FIG. 3



FIG. 4

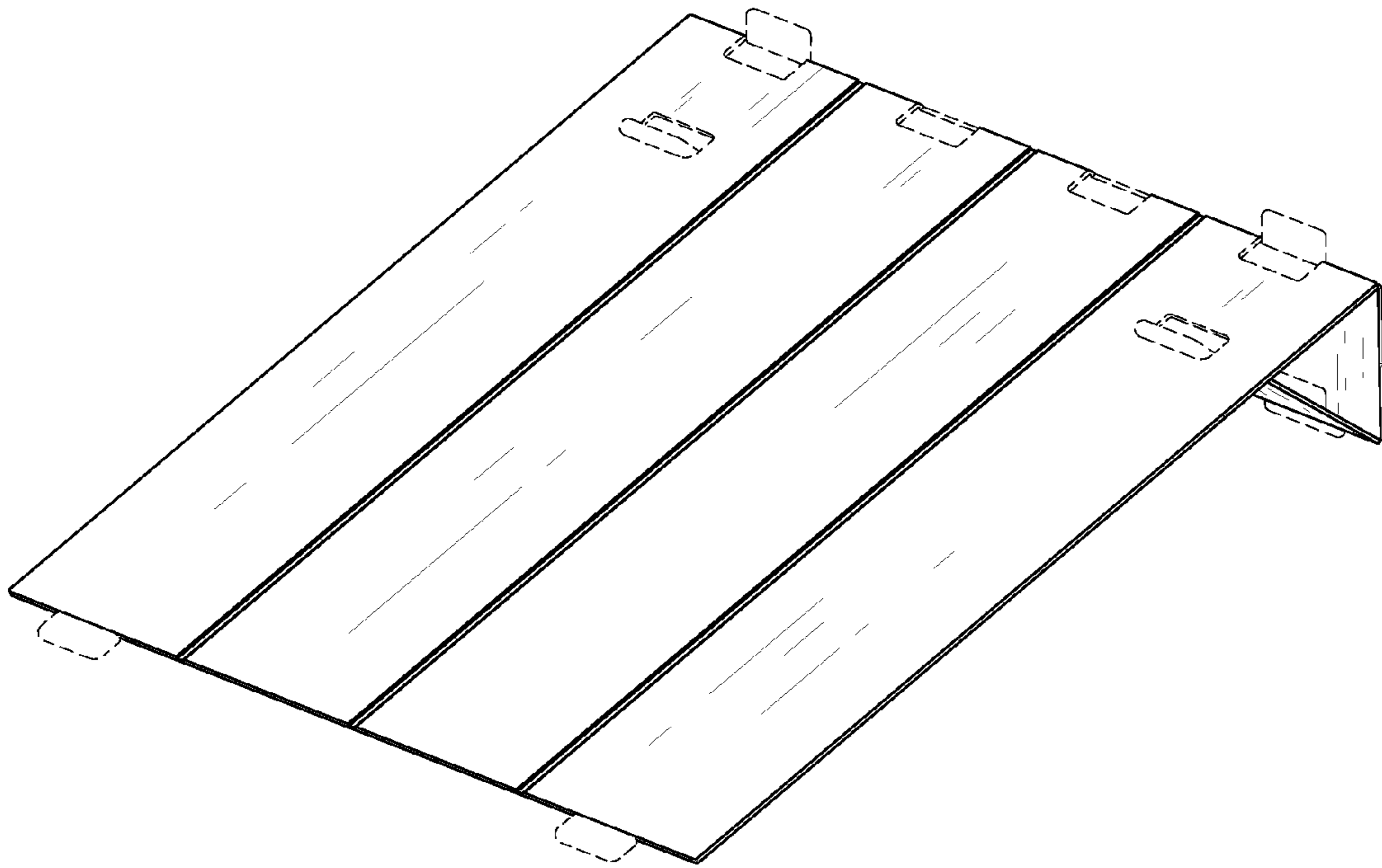


FIG. 5

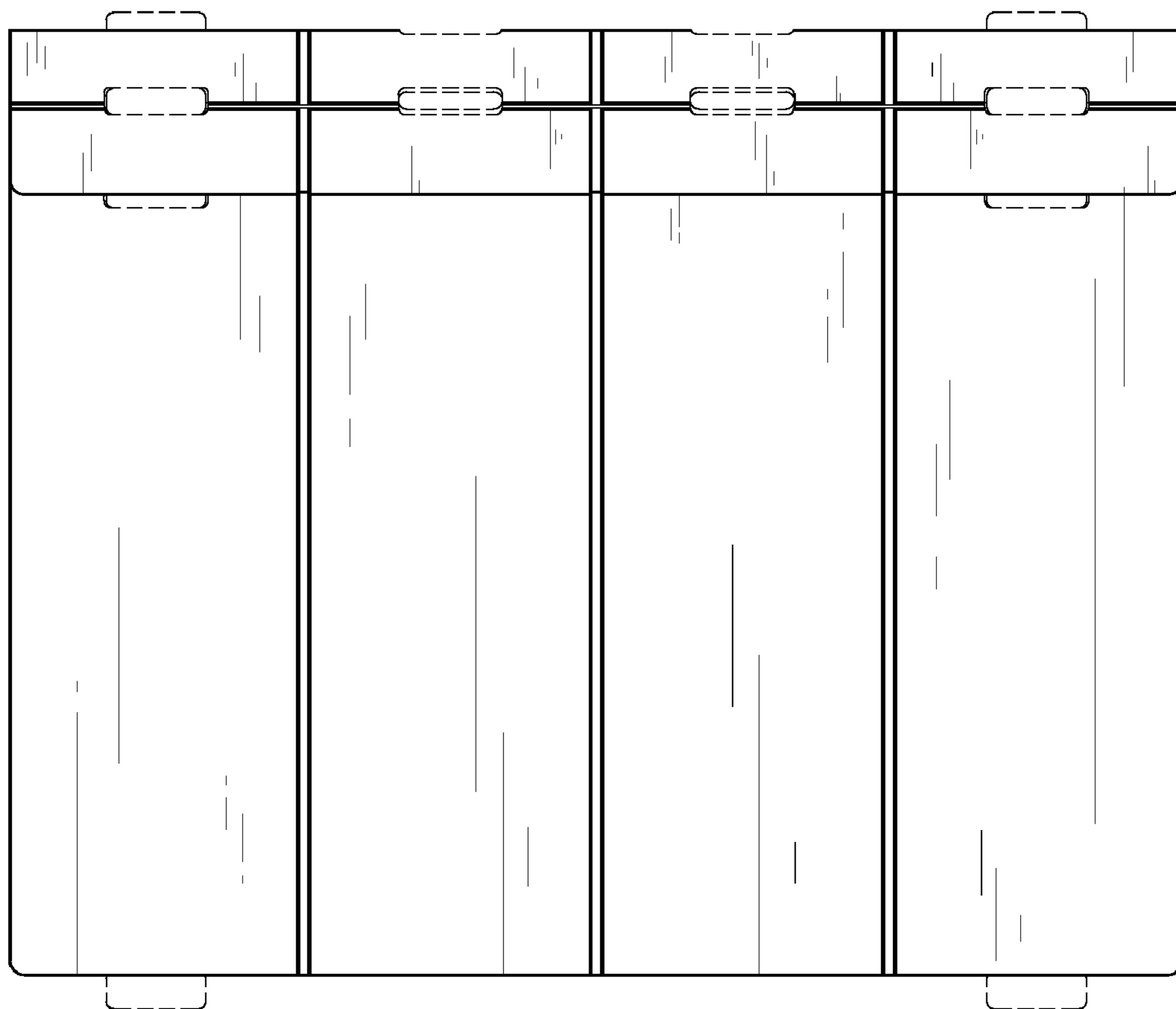


FIG. 6

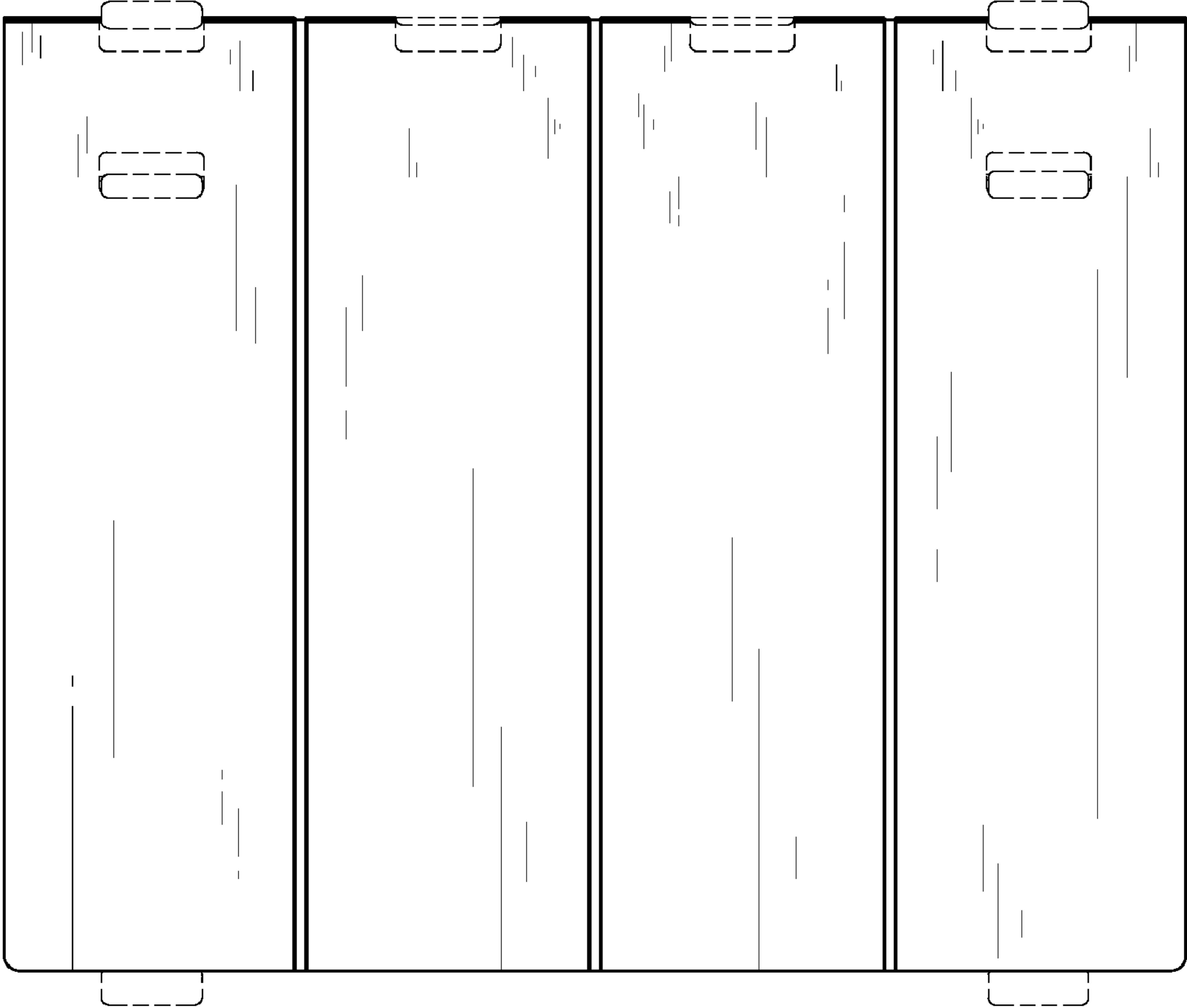


FIG. 7

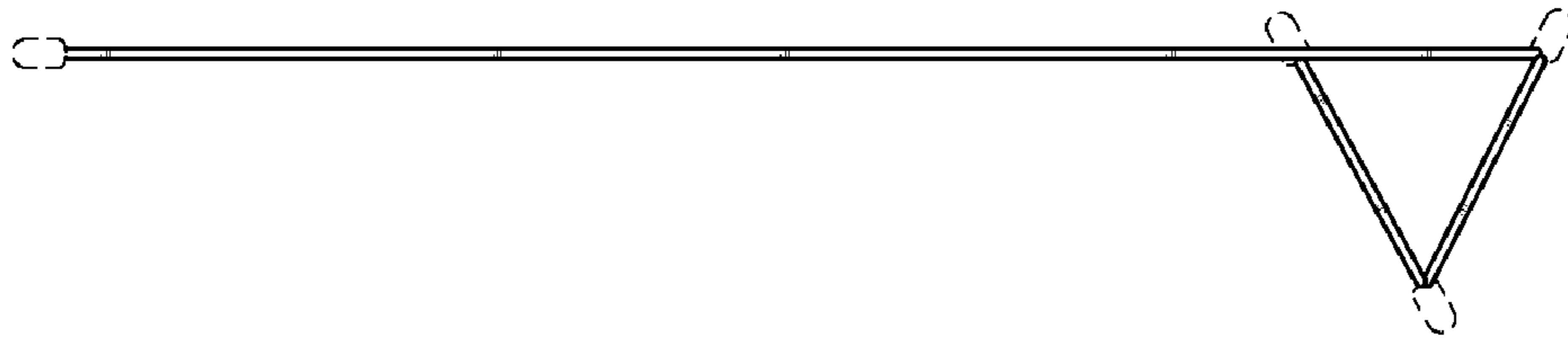


FIG. 8

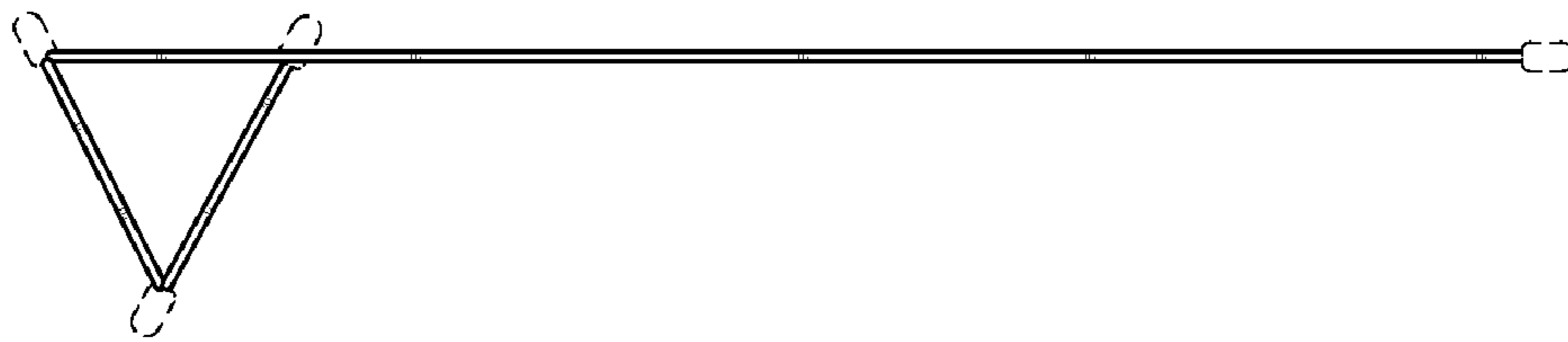


FIG. 9

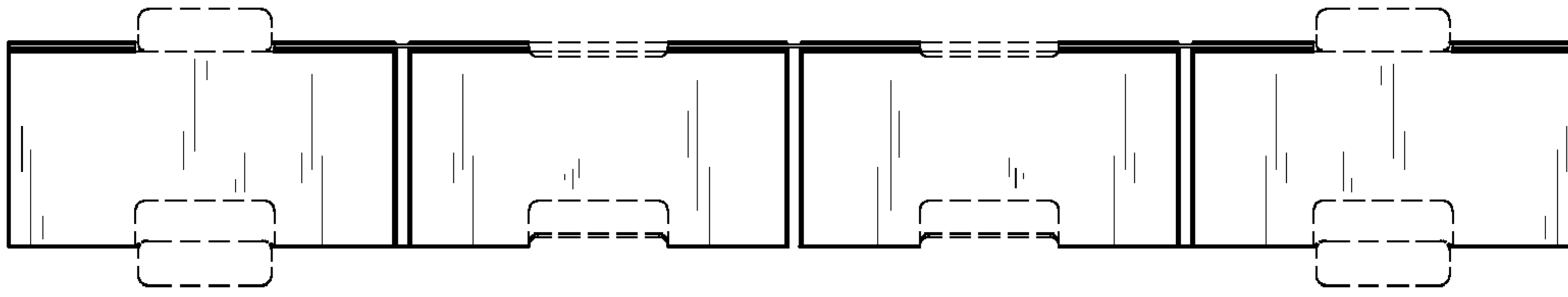


FIG. 10

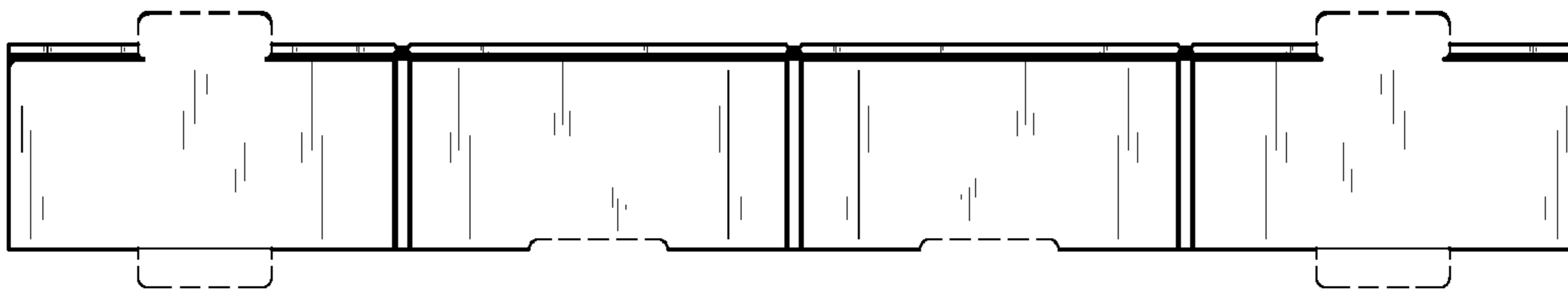


FIG. 11

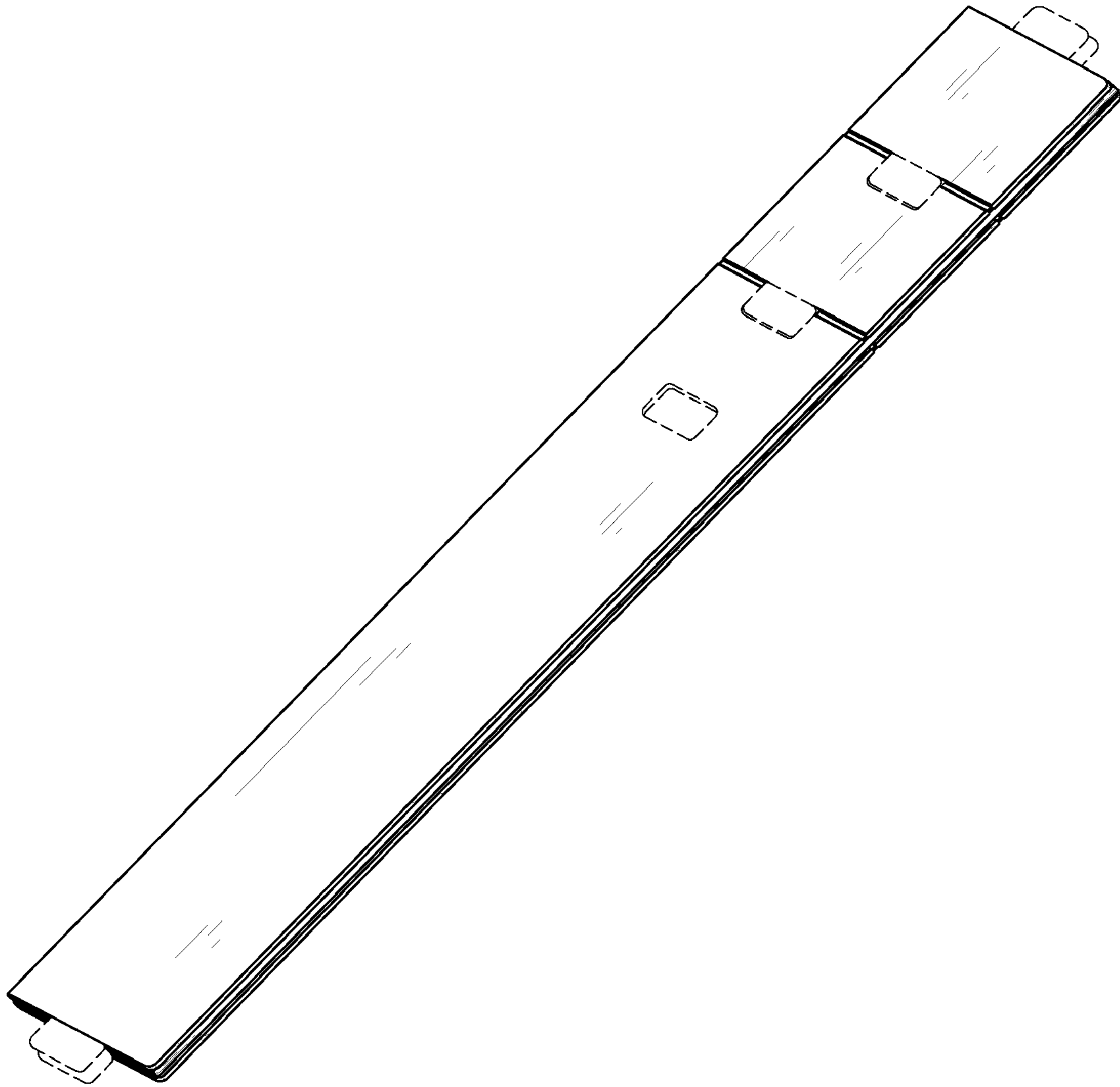


FIG. 12

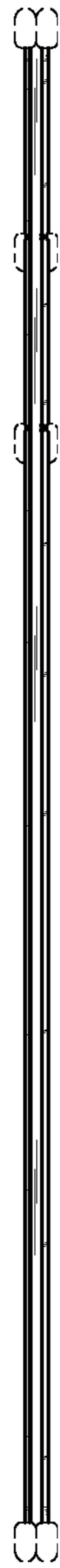


FIG. 13

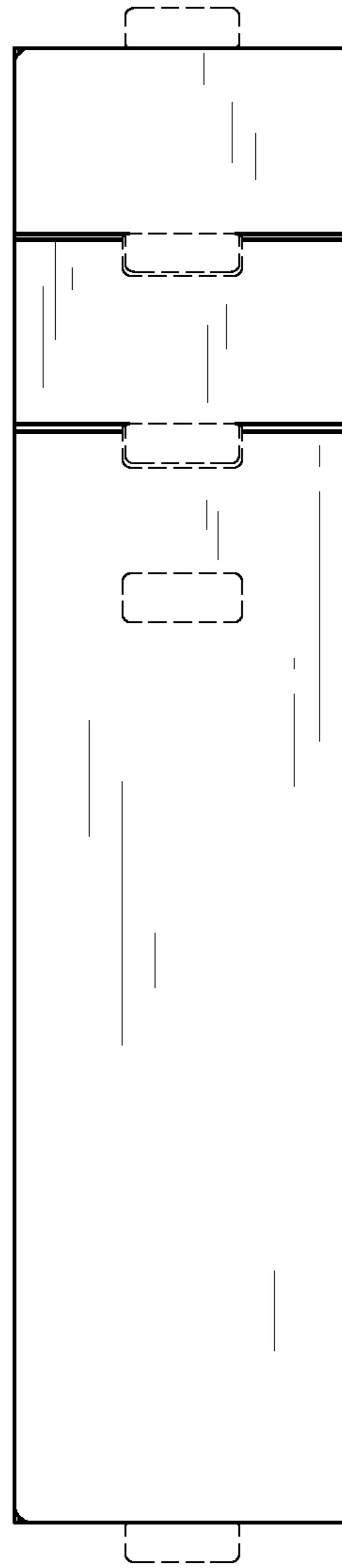


FIG. 14

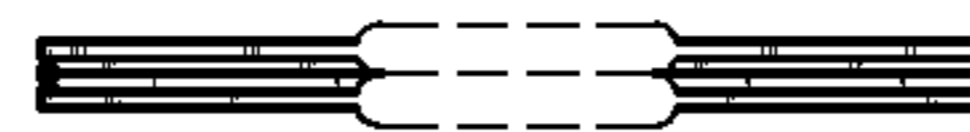


FIG. 15

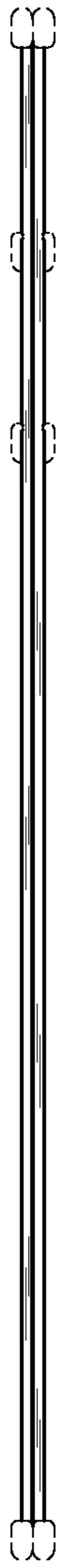


FIG. 16

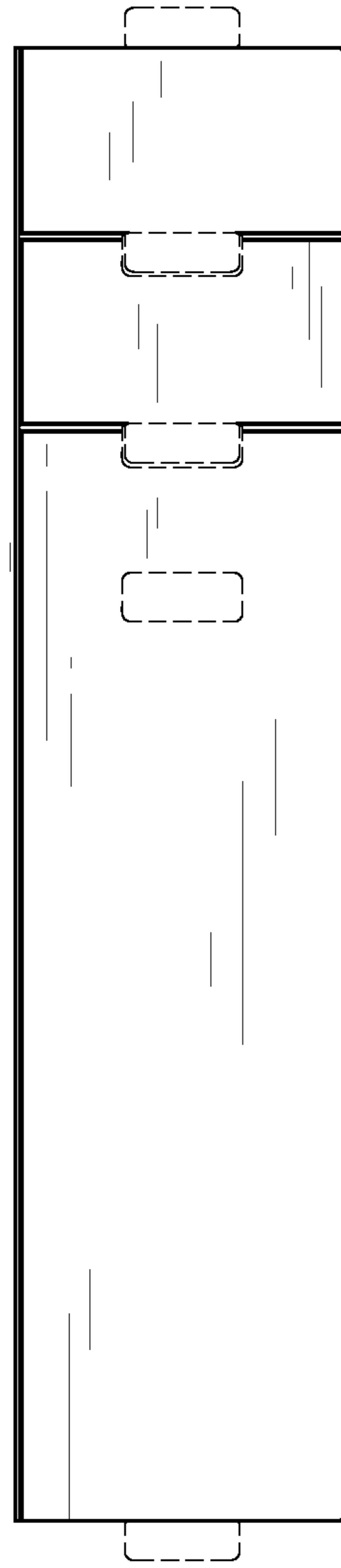


FIG. 17

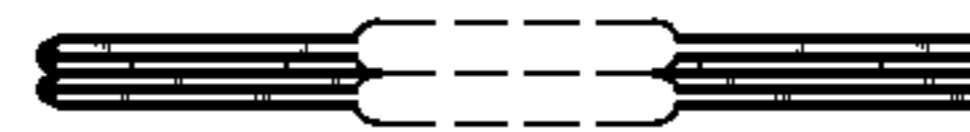


FIG. 18