



US00D639810S

(12) **United States Design Patent**  
**Hwang et al.**

(10) **Patent No.:** **US D639,810 S**  
(45) **Date of Patent:** **\*\* Jun. 14, 2011**

(54) **DOCKING STATION**

(75) Inventors: **Steven Hwang**, San Francisco, CA (US);  
**Christopher C. Jones**, San Francisco,  
CA (US)

(73) Assignee: **Cisco Technology, Inc.**, San Jose, CA  
(US)

(\*\*) Term: **14 Years**

(21) Appl. No.: **29/364,771**

(22) Filed: **Jun. 28, 2010**

(51) **LOC (9) Cl.** ..... **14-02**

(52) **U.S. Cl.** ..... **D14/434; D13/107; D13/108**

(58) **Field of Classification Search** ..... D14/432-434,  
D14/314, 204, 420, 421, 447, 217, 358; D13/107,  
D13/108, 146; D8/373; 248/346.03, 176.1;  
361/679.41, 679.31, 679.32, 679.4, 679.43,  
361/679.55; 320/109, 112-115

See application file for complete search history.

(56) **References Cited**

**U.S. PATENT DOCUMENTS**

D363,473	S *	10/1995	Leman	.....	D14/434
5,933,812	A *	8/1999	Meyer et al.	.....	705/15
6,208,508	B1 *	3/2001	Ruch et al.	.....	361/679.55
D442,141	S *	5/2001	Ikenaga	.....	D13/107
D472,900	S *	4/2003	Matsumoto	.....	D14/447
7,200,702	B2 *	4/2007	Keely et al.	.....	710/303
D553,106	S *	10/2007	Griffin	.....	D14/434

7,298,613 B2 \* 11/2007 Yin et al. .... 361/679.41  
7,708,240 B2 \* 5/2010 Homer et al. .... 248/130  
2006/0250767 A1 \* 11/2006 Brophy et al. .... 361/686

\* cited by examiner

*Primary Examiner* — Freda S Nunn

(74) *Attorney, Agent, or Firm* — Edell, Shapiro & Finnan,  
LLC

(57) **CLAIM**

The ornamental design for a docking station, as shown and described.

**DESCRIPTION**

FIG. 1 is a front perspective view of a docking station according to the present invention;

FIG. 2 is a rear perspective view of the docking station of FIG. 1;

FIG. 3 is a front view of the docking station of FIG. 1;

FIG. 4 is a rear view of the docking station of FIG. 1;

FIG. 5 is a top view of the docking station of FIG. 1;

FIG. 6 is a bottom view of the docking station of FIG. 1;

FIG. 7 is a right side view of the docking station of FIG. 1;

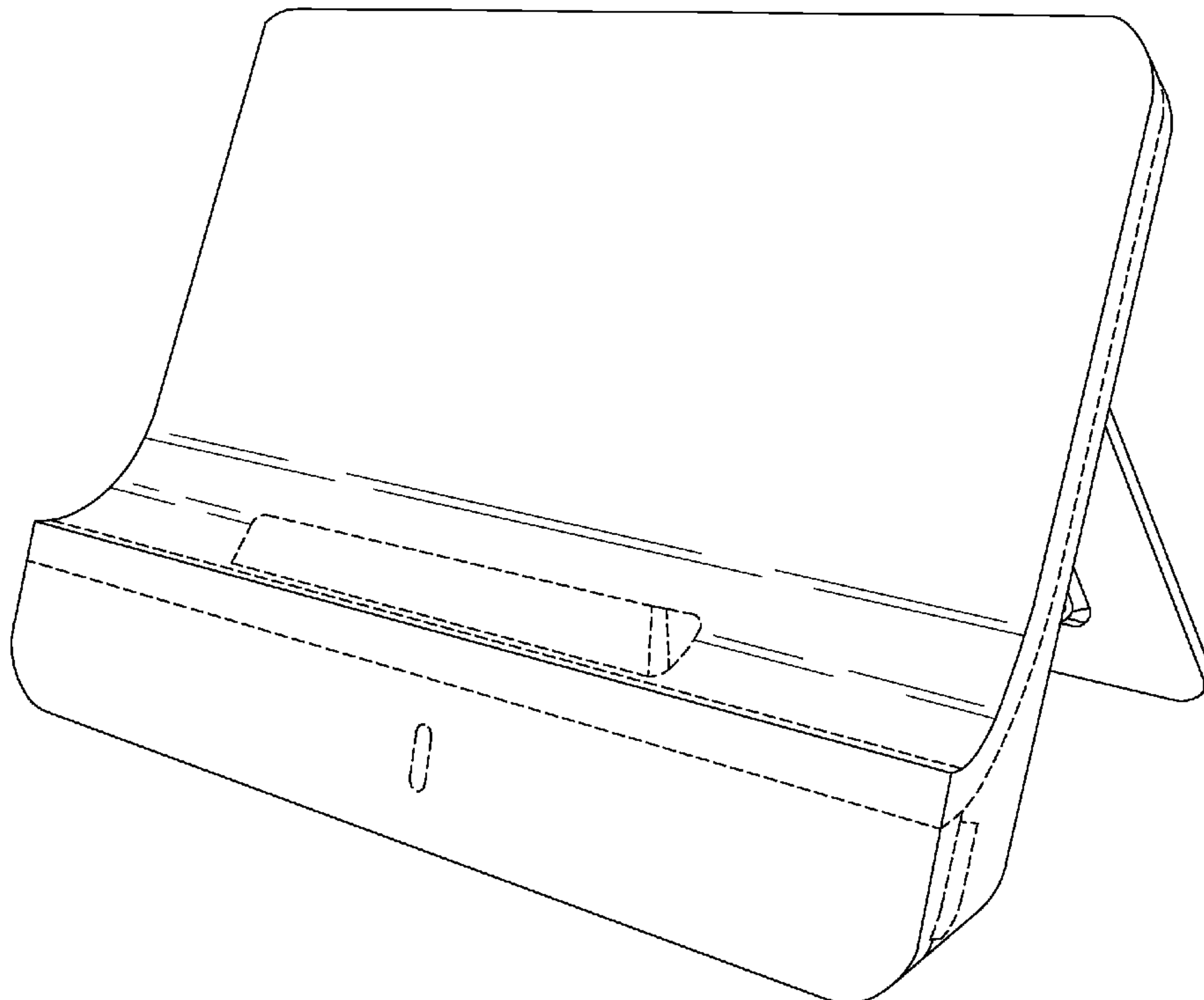
FIG. 8 is a left side view of the docking station of FIG. 1;

FIG. 9 is a front perspective view of the docking station of FIG. 1 showing an example of a tablet computer device seated therein; and,

FIG. 10 is a right side view of the docking station of FIG. 1 showing the example of a tablet computer device seated therein.

Broken lines shown in the drawings illustrate portions of the docking station and form no part of the claimed design.

**1 Claim, 10 Drawing Sheets**



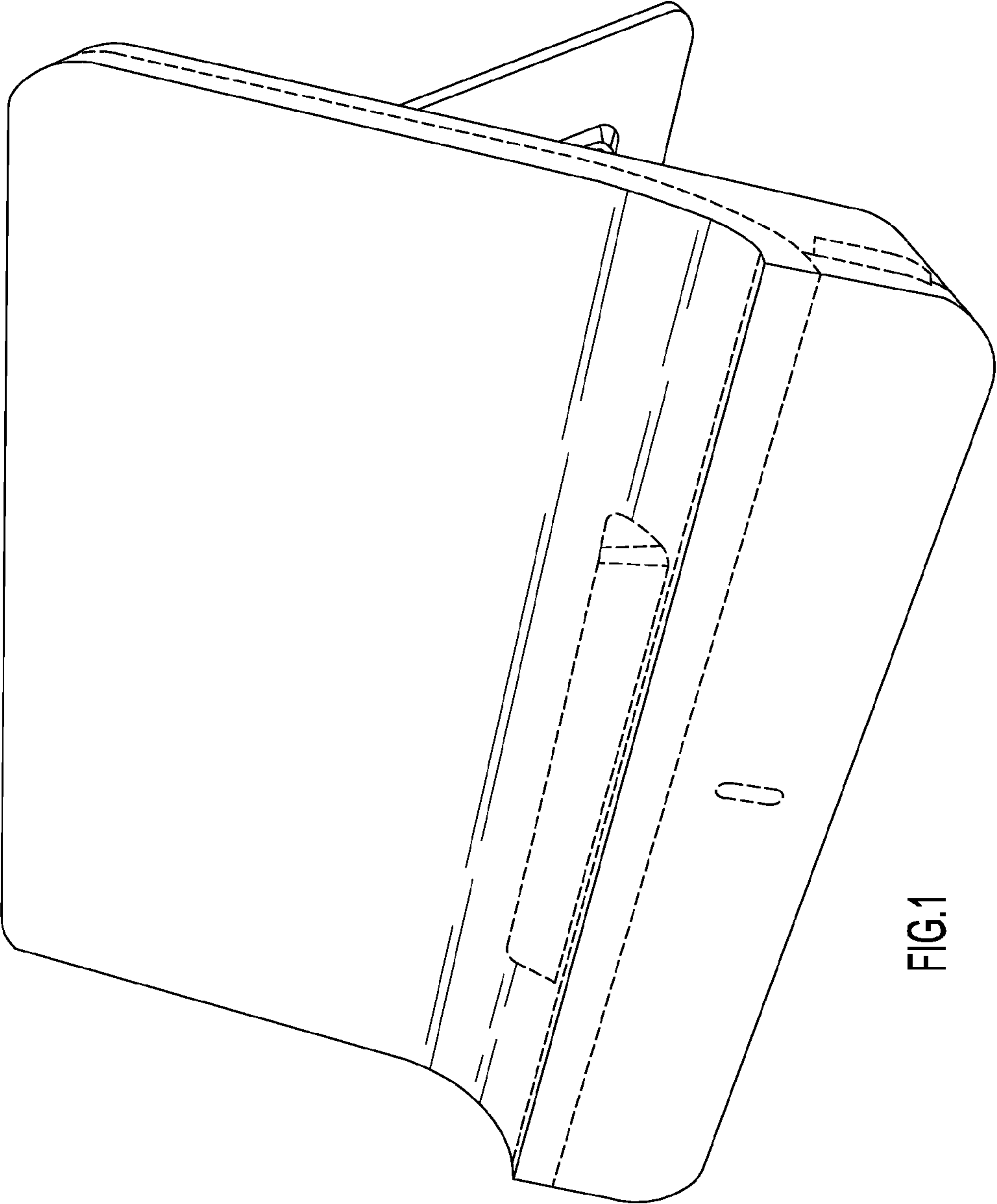


FIG. 1

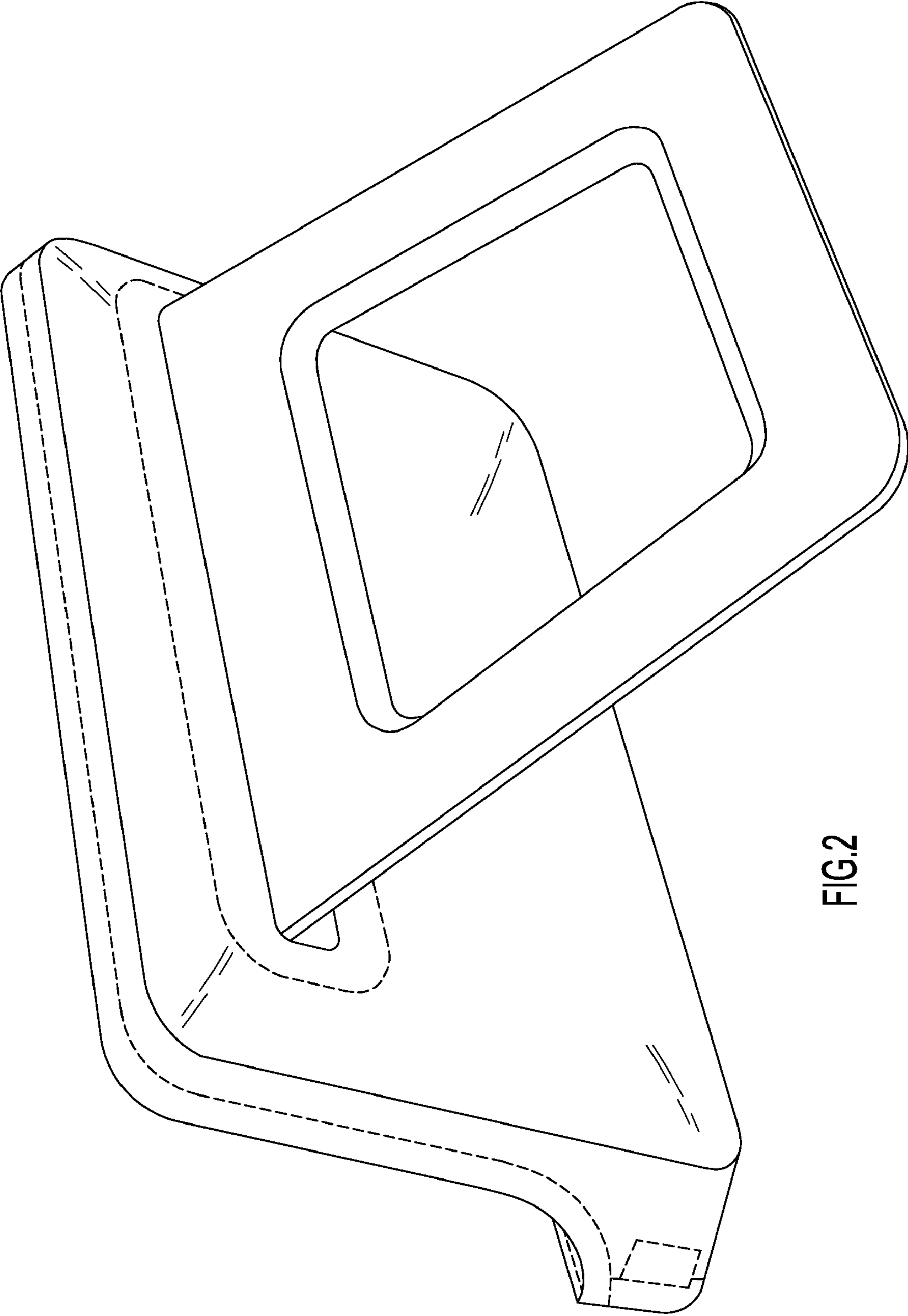


FIG.2

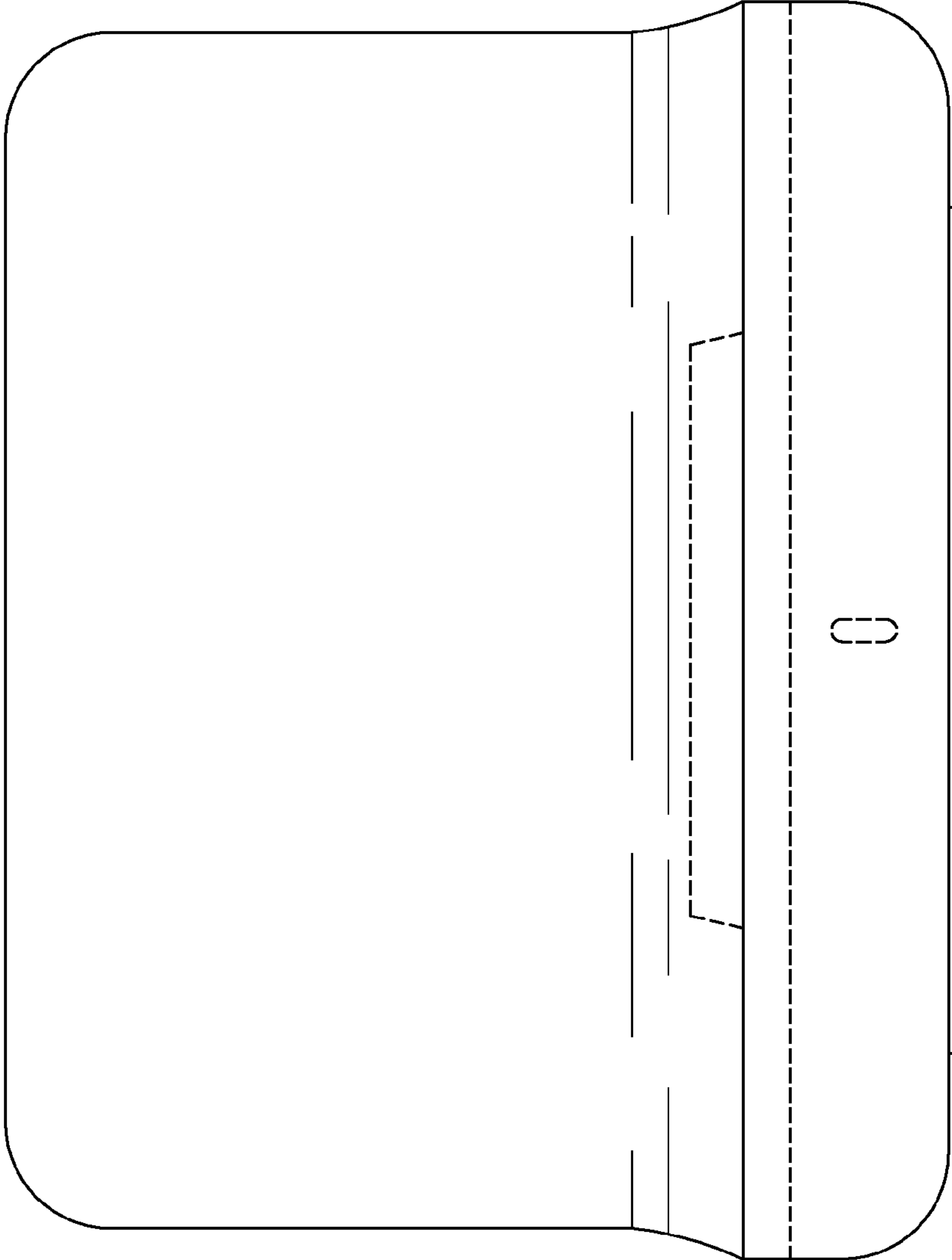


FIG.3

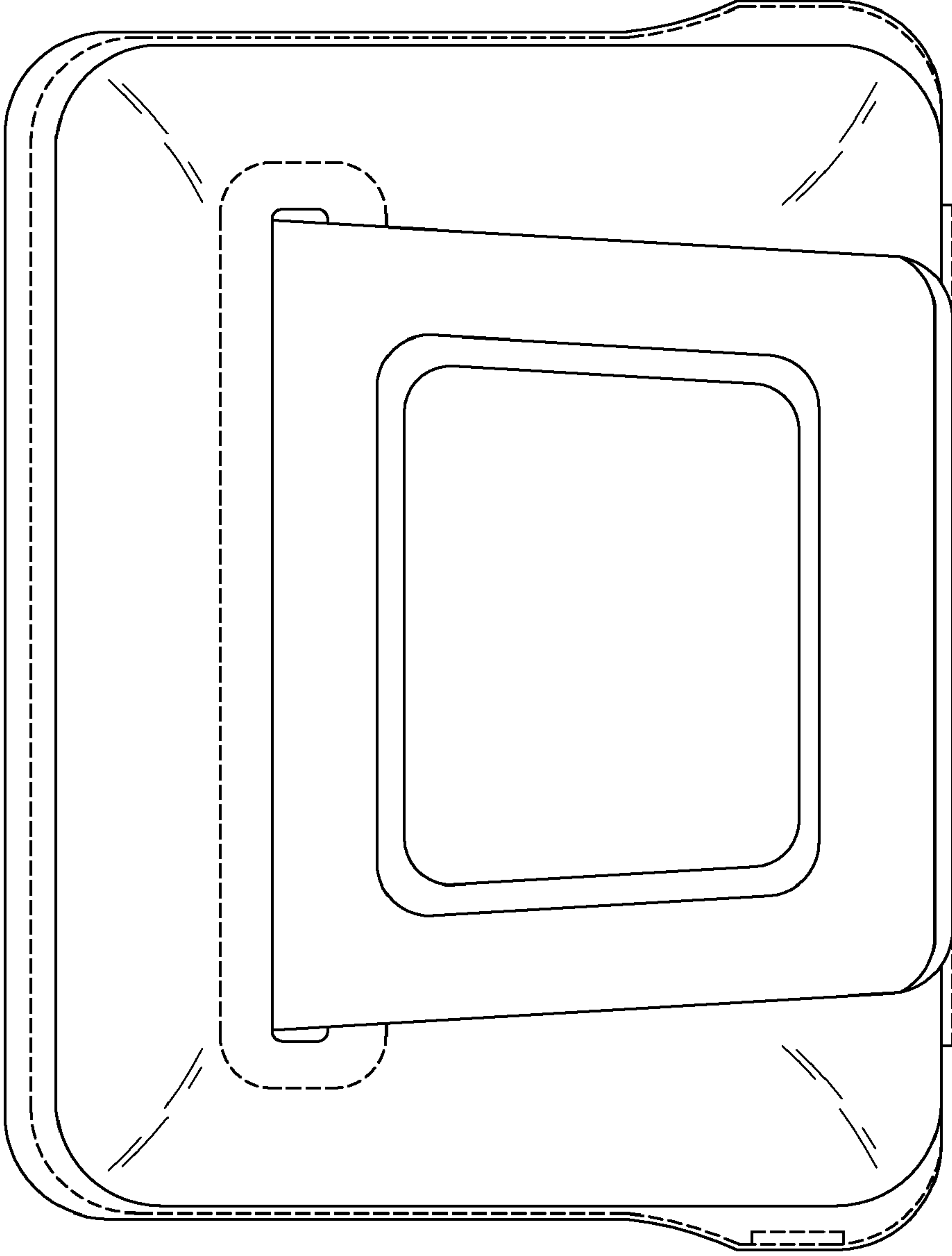
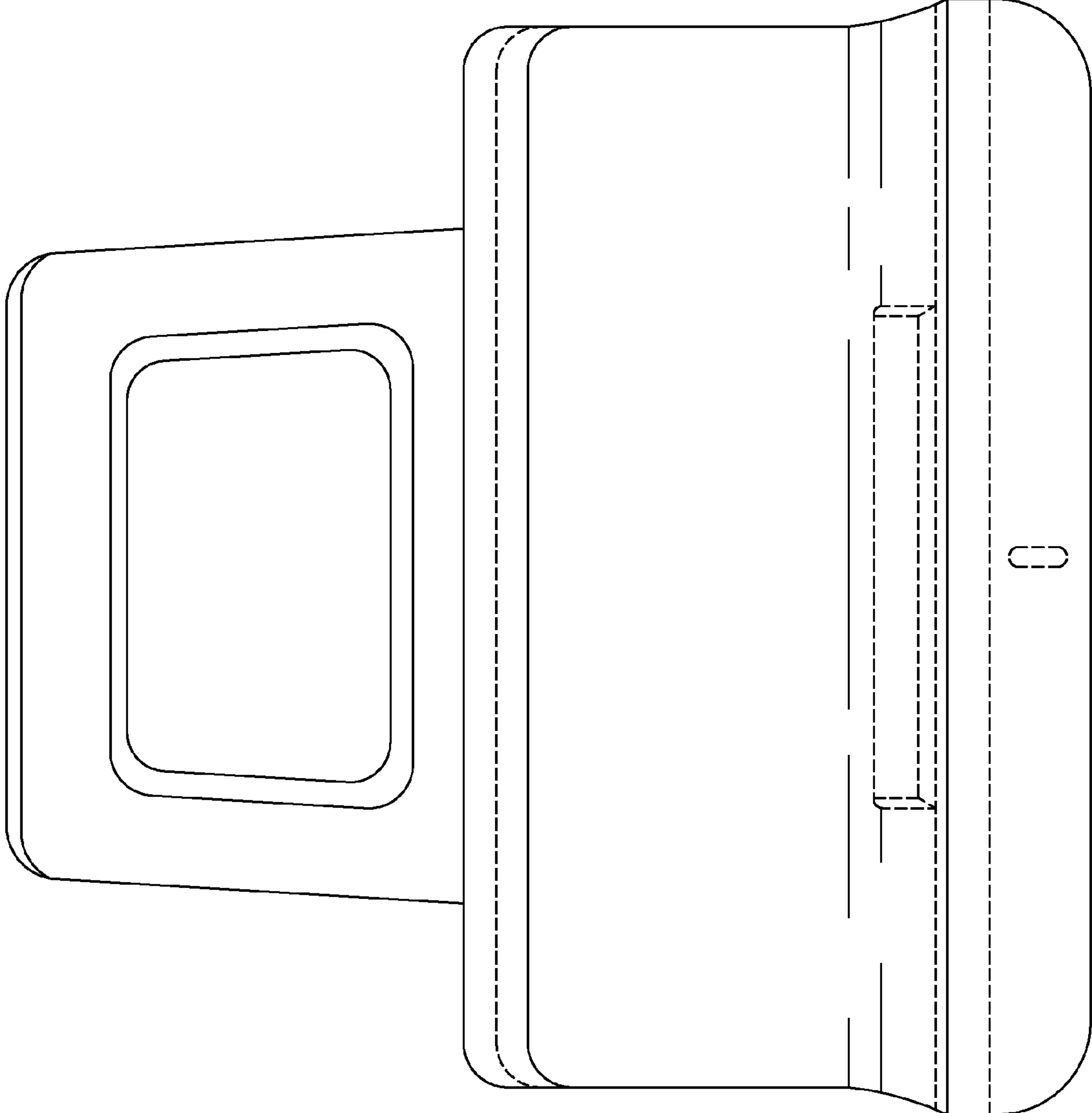
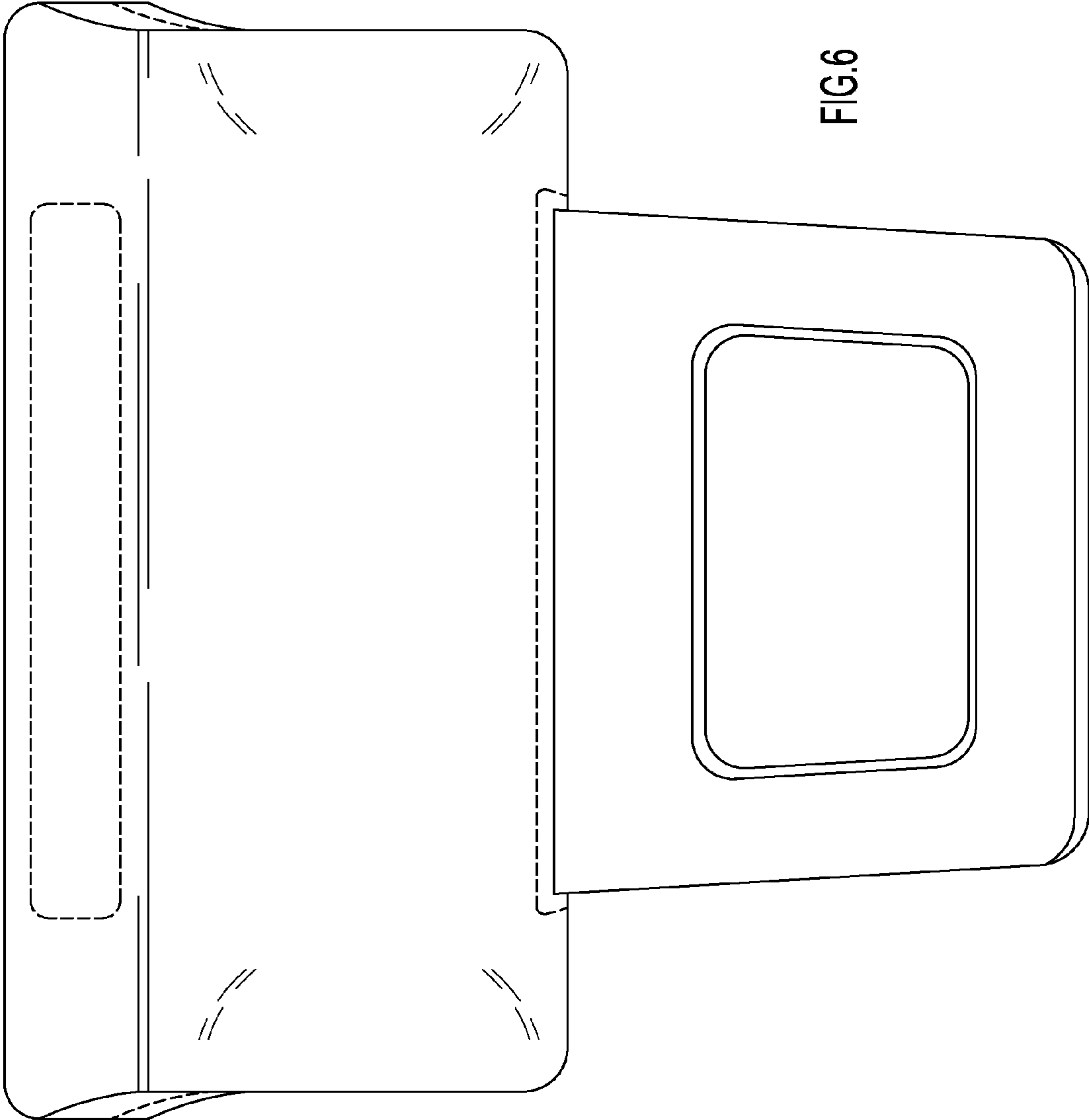


FIG.4

FIG.5





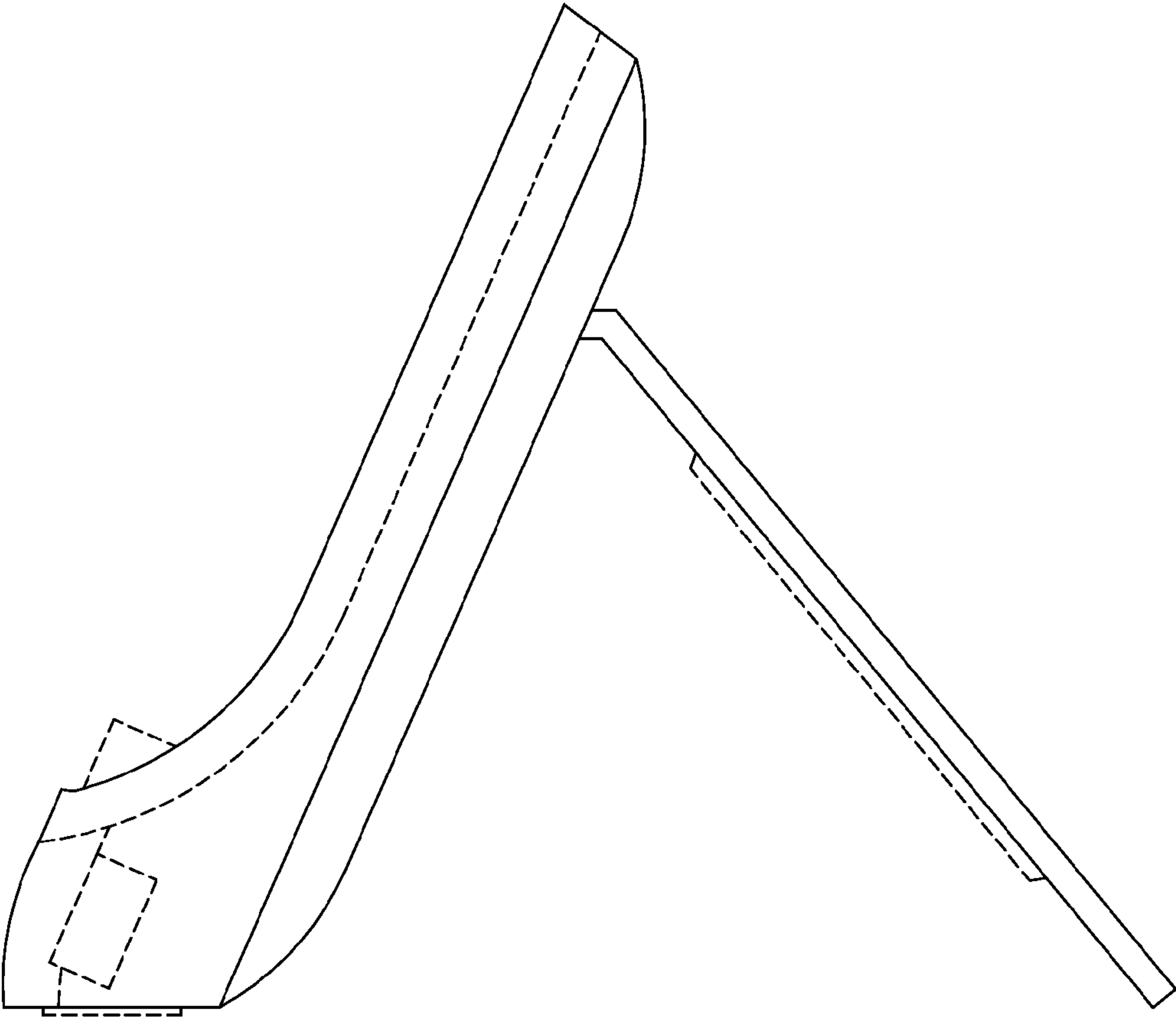


FIG.7



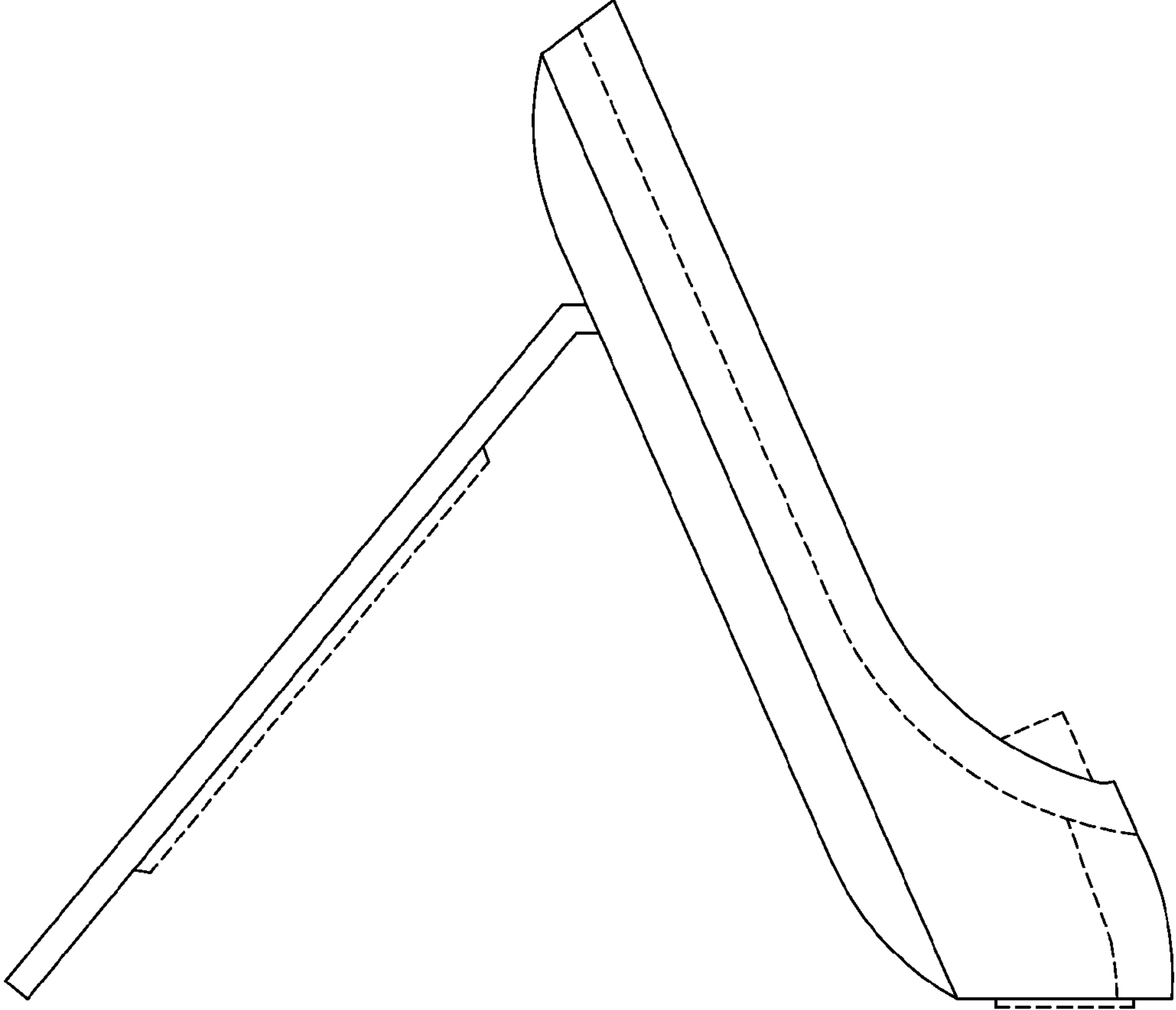


FIG.8

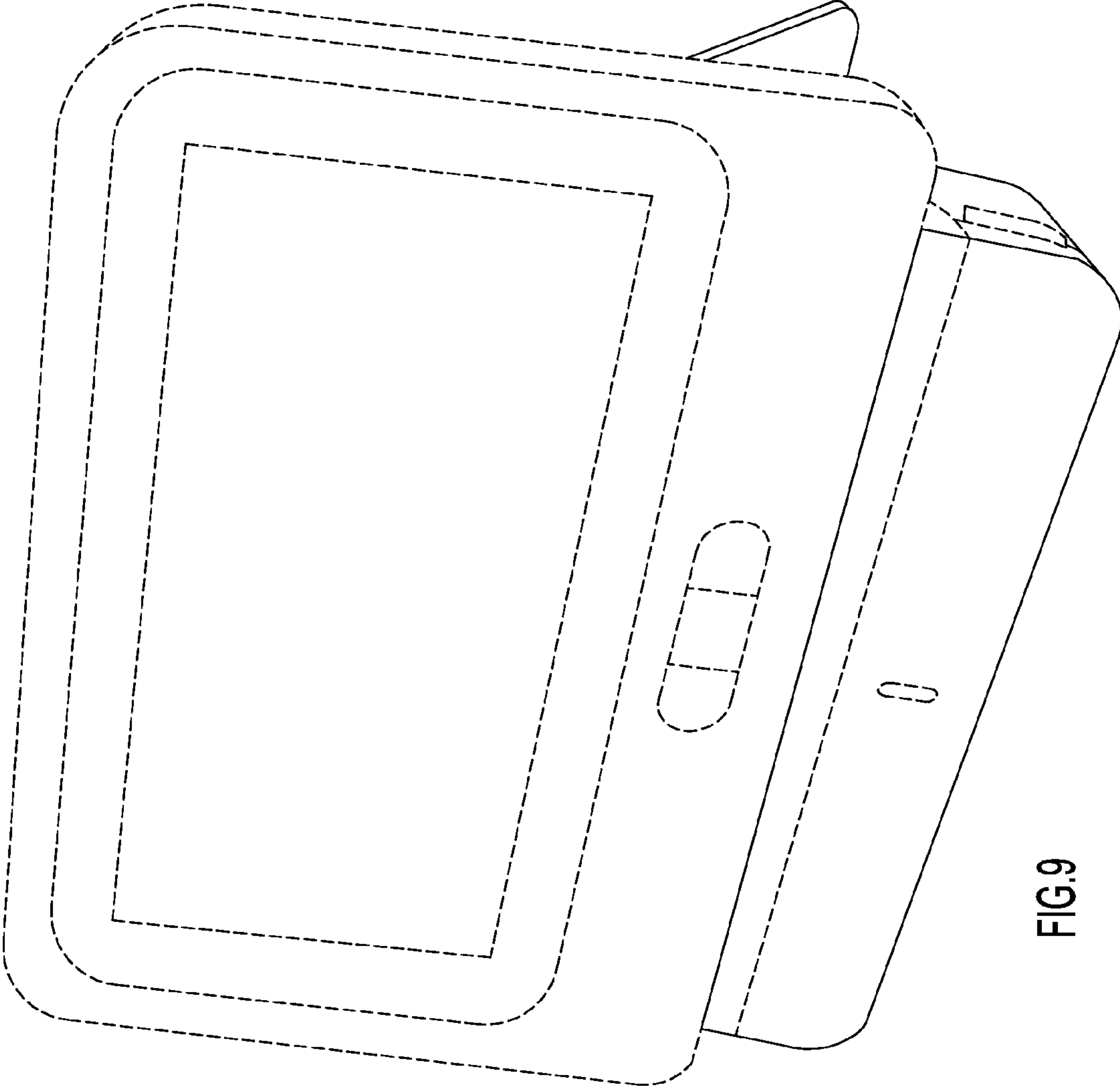


FIG.9

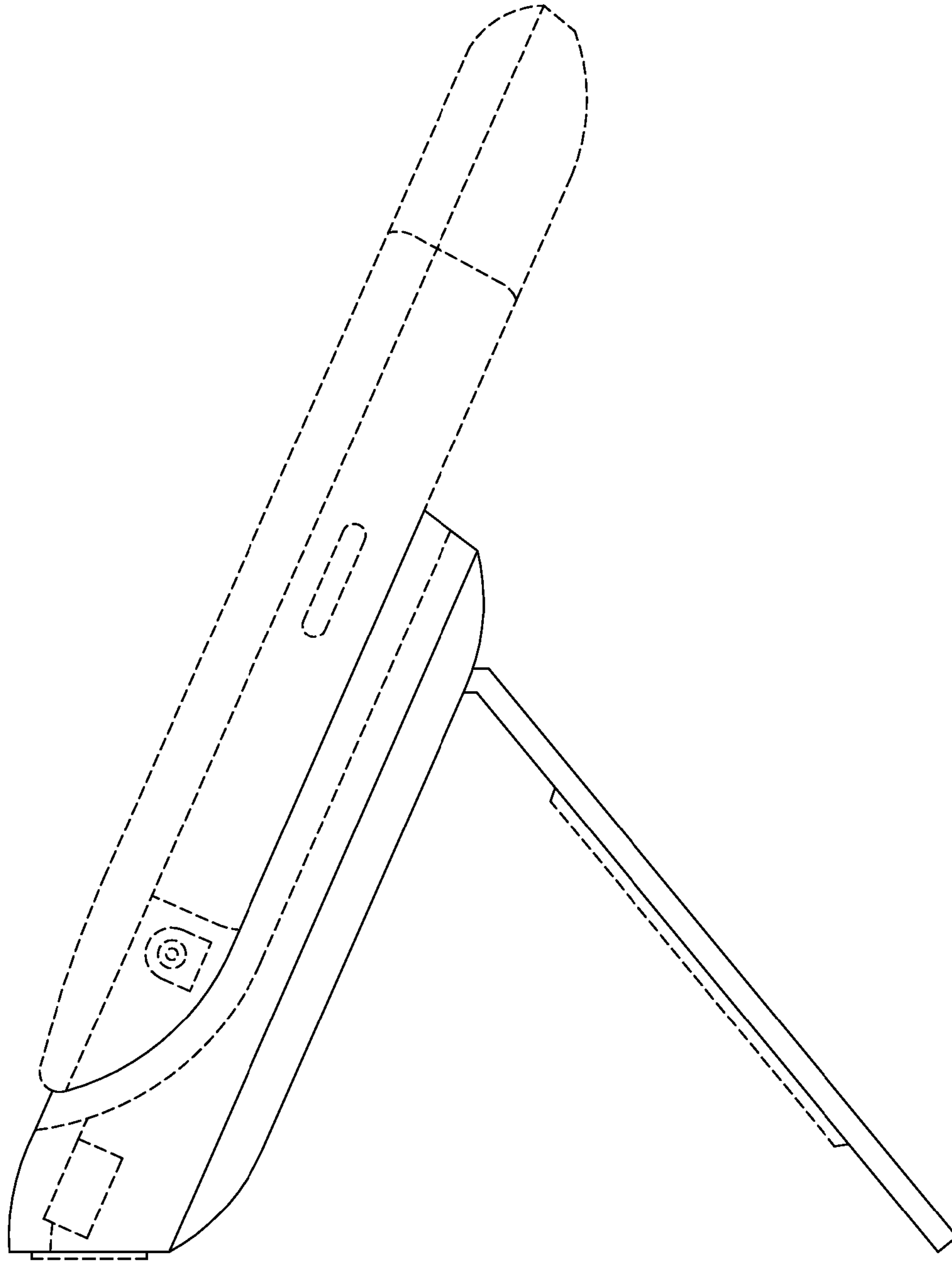


FIG.10