



US00D639808S

(12) **United States Design Patent**  
**Smith**

(10) **Patent No.:** **US D639,808 S**

(45) **Date of Patent:** **\*\* Jun. 14, 2011**

(54) **FINGER RING WITH RETRACTABLE  
STYLUS**

(76) Inventor: **Howard Herbert Smith**, Temecula, CA  
(US)

(\*\*) Term: **14 Years**

(21) Appl. No.: **29/363,467**

(22) Filed: **Jun. 9, 2010**

(51) **LOC (9) Cl.** ..... **14-02**

(52) **U.S. Cl.** ..... **D14/411**

(58) **Field of Classification Search** ..... D24/142;  
D14/411, 431, 404, 390, 346; D19/43, 41,  
D19/36, 57, 56; 401/99, 100, 104-107, 8;  
345/179, 173; 178/19.01, 19.03; 223/101

See application file for complete search history.

(56) **References Cited**

**U.S. PATENT DOCUMENTS**

36,652	A	10/1862	Jacobs	
1,379,777	A	5/1921	Oijerholm	
1,473,953	A	11/1923	Dart	
2,415,957	A	2/1947	McCormack	
2,665,666	A *	1/1954	Hooper	15/426
3,048,149	A *	8/1962	Guttman	15/437
D238,357	S	1/1976	Di Carlo	
4,617,694	A *	10/1986	Bori	15/167.1
4,738,556	A *	4/1988	Brown	401/7
5,405,206	A *	4/1995	Bedol	401/7
5,453,759	A	9/1995	Seebach	
5,581,484	A *	12/1996	Prince	702/150
5,803,322	A	9/1998	Boone et al.	
5,885,018	A	3/1999	Sato	
D412,320	S *	7/1999	Mueller et al.	D14/411
D418,494	S	1/2000	Robb	
D418,540	S	1/2000	Robb	
6,075,189	A	6/2000	Robb	
D440,570	S	4/2001	Schneider	
6,225,988	B1	5/2001	Robb	
D443,301	S	6/2001	Robb	
6,320,570	B2 *	11/2001	Robb	345/179

(Continued)

*Primary Examiner* — Austin Murphy

(74) *Attorney, Agent, or Firm* — Biotech Beach Law Group  
PC

(57) **CLAIM**

I claim the ornamental design for a finger ring with retractable  
stylus, as shown and described.

**DESCRIPTION**

FIG. 1 is a right, front, top perspective view of a right hand  
version of a finger ring with retractable stylus showing my  
new design;

FIG. 2 is right side elevational view thereof;

FIG. 3 is a left side elevational view thereof;

FIG. 4 is a top plan view thereof;

FIG. 5 is a bottom plan view thereof;

FIG. 6 is a front elevational view thereof;

FIG. 7 is a rear elevational view thereof;

FIG. 8 is a right, front, top perspective view thereof, showing  
an alternative position of use, wherein the stylus is depicted in  
a retracted or closed configuration;

FIG. 9 is right side elevational view thereof;

FIG. 10 is a left side elevational view thereof;

FIG. 11 is a top plan view thereof;

FIG. 12 is a bottom plan view thereof;

FIG. 13 is a front elevational view thereof;

FIG. 14 is a rear elevational view thereof;

FIG. 15 is a left, front, top perspective view of a left hand  
version of a finger ring with retractable stylus showing my  
new design;

FIG. 16 is right side elevational view thereof;

FIG. 17 is a left side elevational view thereof;

FIG. 18 is a top plan view thereof;

FIG. 19 is a bottom plan view thereof;

FIG. 20 is a front elevational view thereof;

FIG. 21 is a rear elevational view thereof;

FIG. 22 is a left, front, top perspective view thereof, showing  
an alternative position of use, wherein the stylus is depicted in  
a retracted or closed configuration;

FIG. 23 is right side elevational view thereof;

FIG. 24 is a left side elevational view thereof;

FIG. 25 is a top plan view thereof;

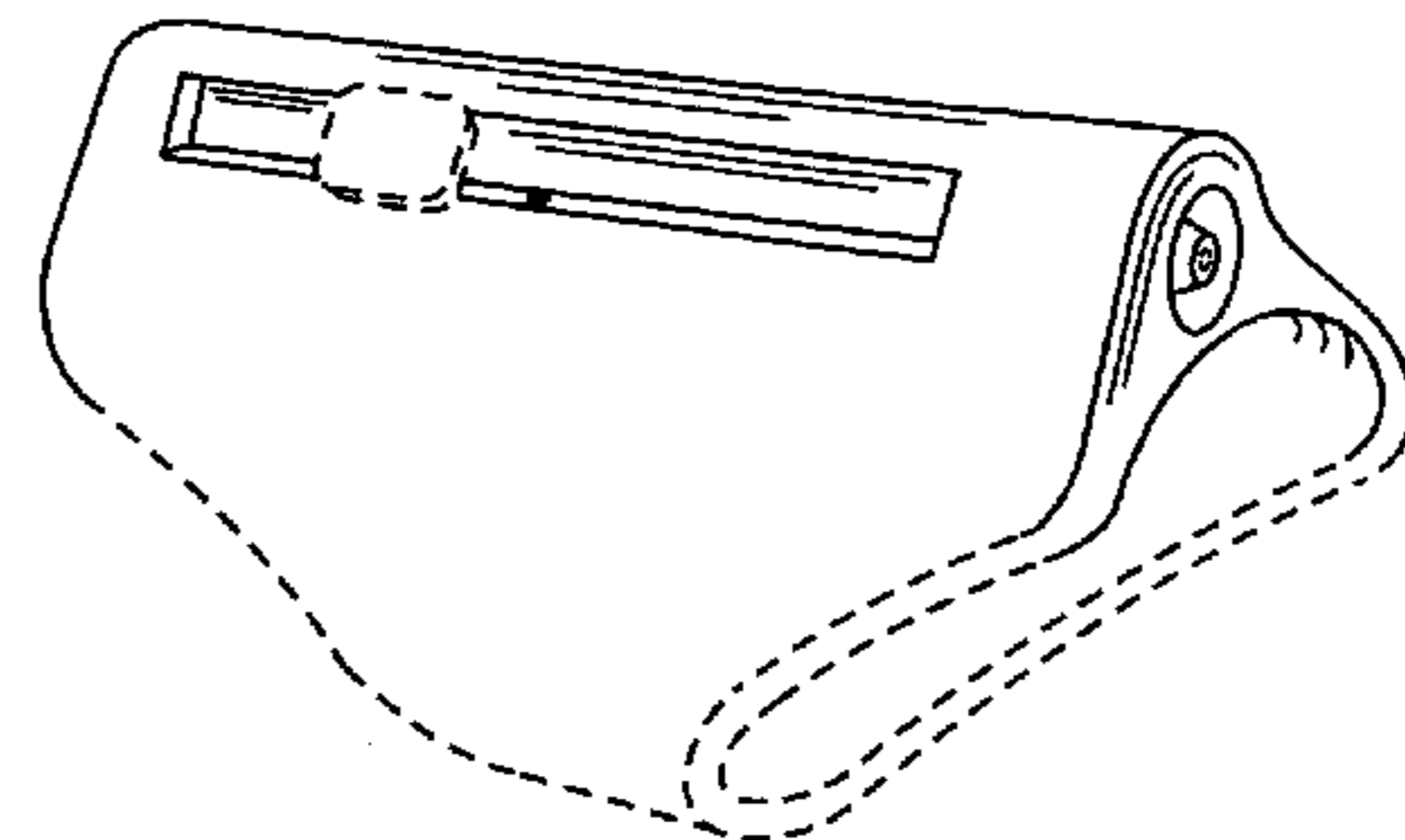
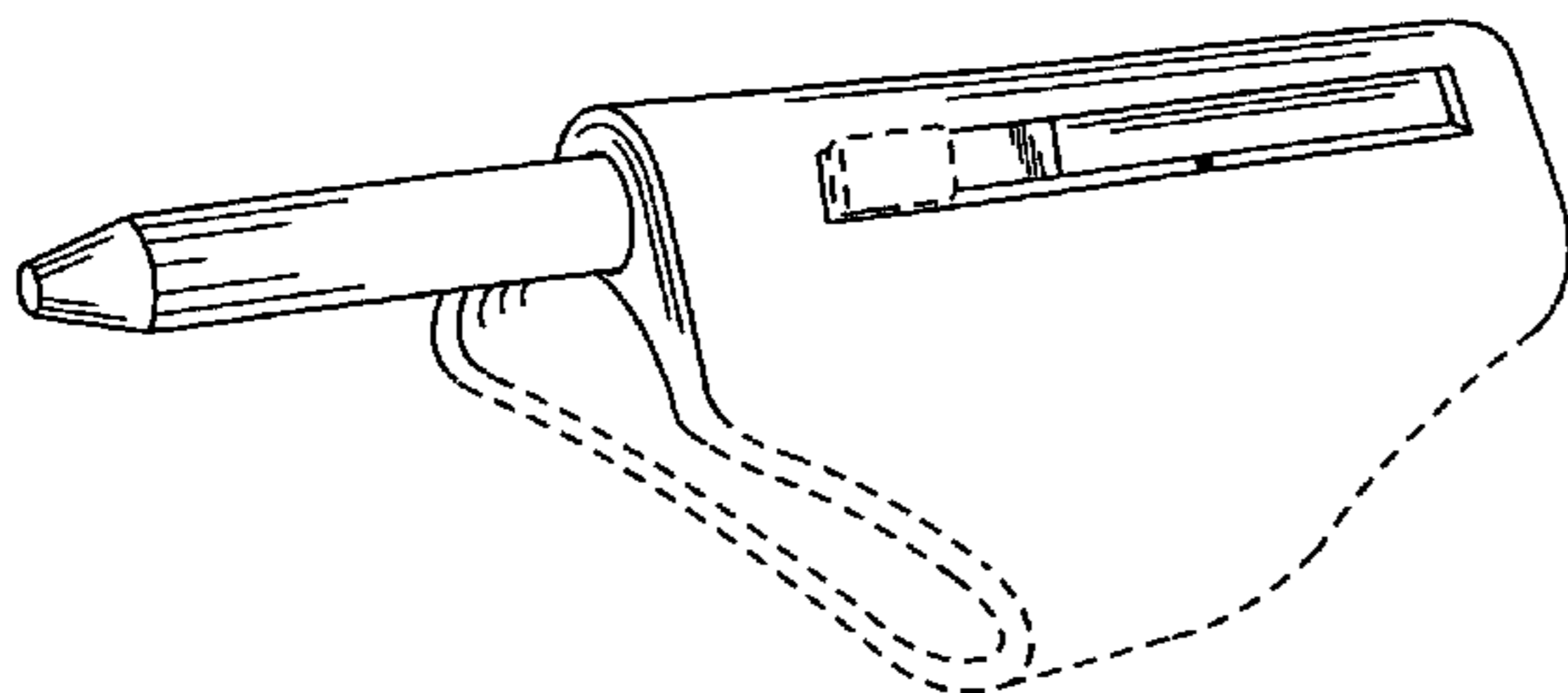
FIG. 26 is a bottom plan view thereof;

FIG. 27 is a front elevational view thereof; and,

FIG. 28 is a rear elevational view thereof.

The broken lines shown in the drawings are for illustrative  
purposes only and form no part of the claimed design.

**1 Claim, 8 Drawing Sheets**



# US D639,808 S

Page 2

---

U.S. PATENT DOCUMENTS			
D458,933	S	6/2002	Schneider
D462,718	S	9/2002	Kobayashi
D462,993	S	9/2002	Kobayashi
6,533,480	B2	3/2003	Schneider
6,626,598	B2 *	9/2003	Schneider ..... 401/8
6,669,388	B1	12/2003	Short
D487,896	S	3/2004	Tanner, Jr.
6,702,500	B1	3/2004	Haffner et al.
D497,952	S	11/2004	Bain
6,905,271	B1	6/2005	Short
D544,484	S *	6/2007	Hussaini et al. .... D14/411
D570,915	S *	6/2008	De Beer ..... D19/57
D597,547	S	8/2009	Smith
D610,145	S	2/2010	Smith
D616,447	S	5/2010	Smith
D618,243	S *	6/2010	Chamblin ..... D14/411
2001/0000665	A1 *	5/2001	Robb ..... 345/179
2002/0101401	A1	8/2002	Movahed
2004/0046734	A1 *	3/2004	Hart ..... 345/156
2005/0093835	A1 *	5/2005	Mortarelli ..... 345/179
2008/0106521	A1 *	5/2008	Nave ..... 345/173
2009/0078478	A1 *	3/2009	Newman ..... 178/19.01

\* cited by examiner

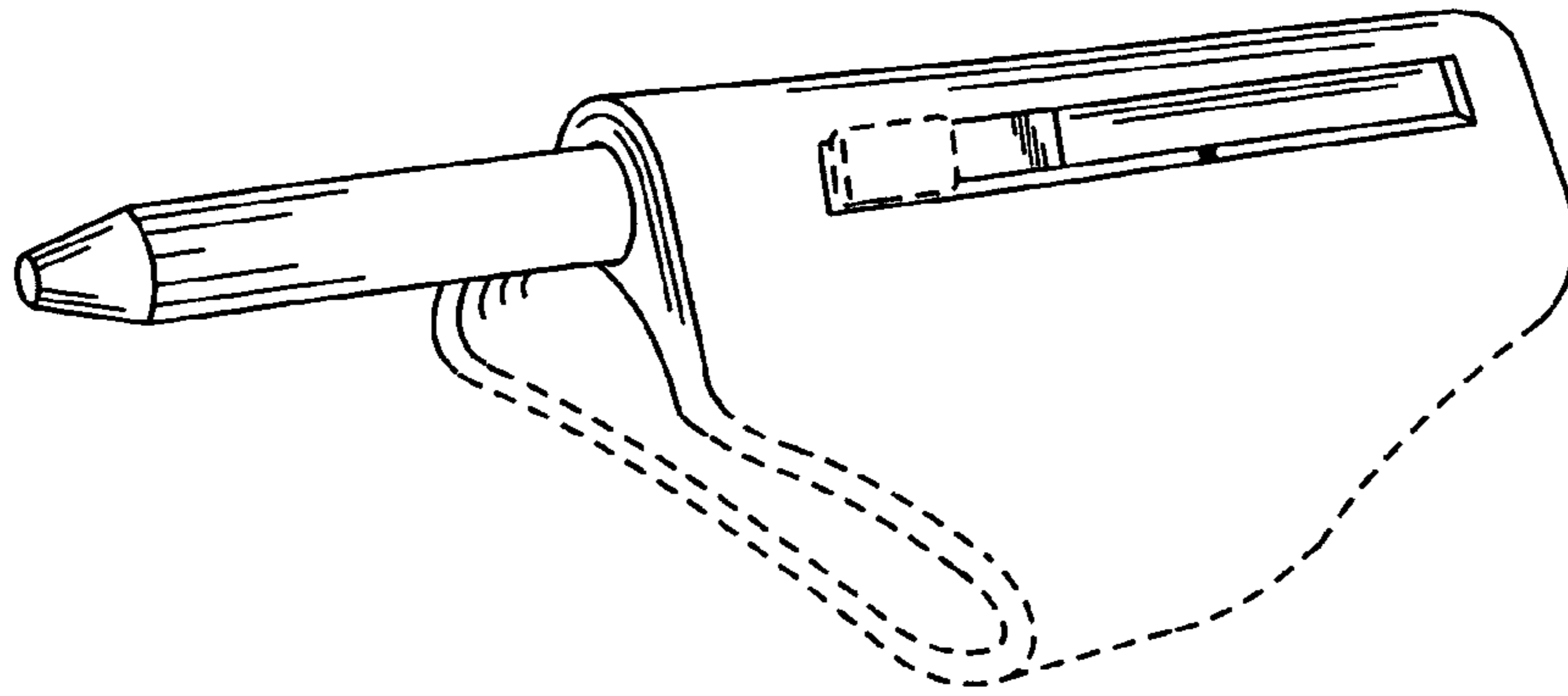


FIG. 1

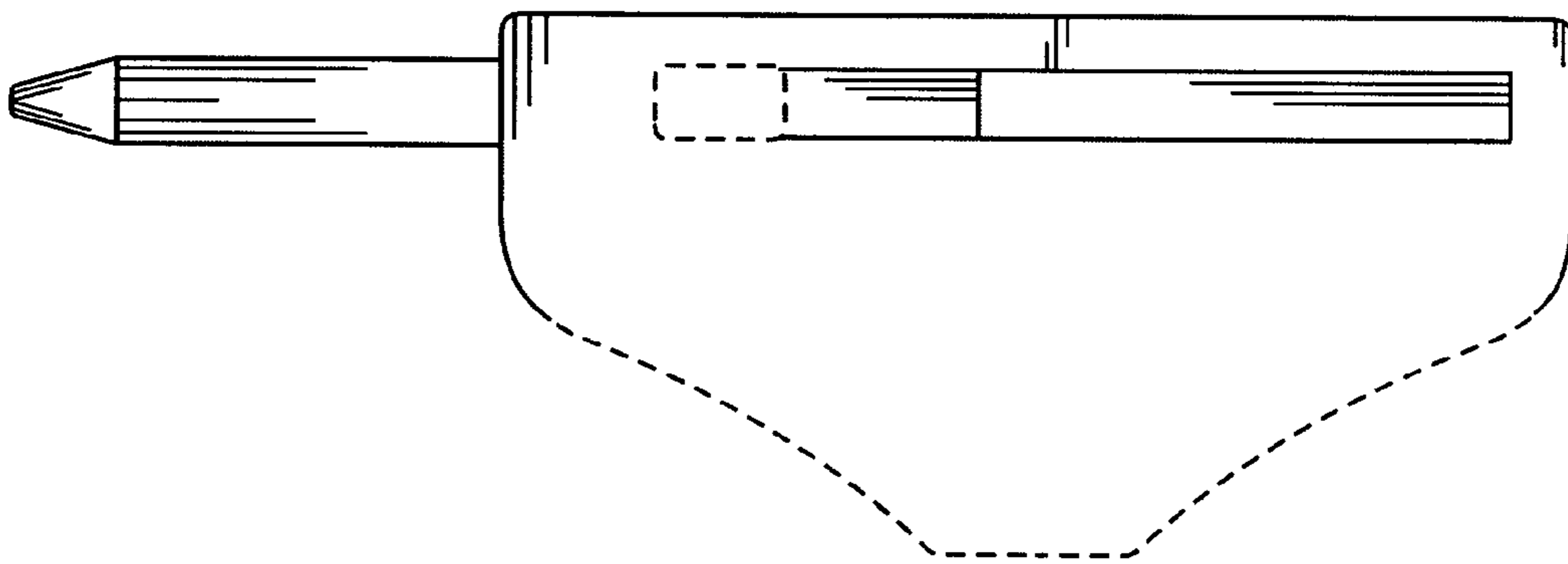


FIG. 2

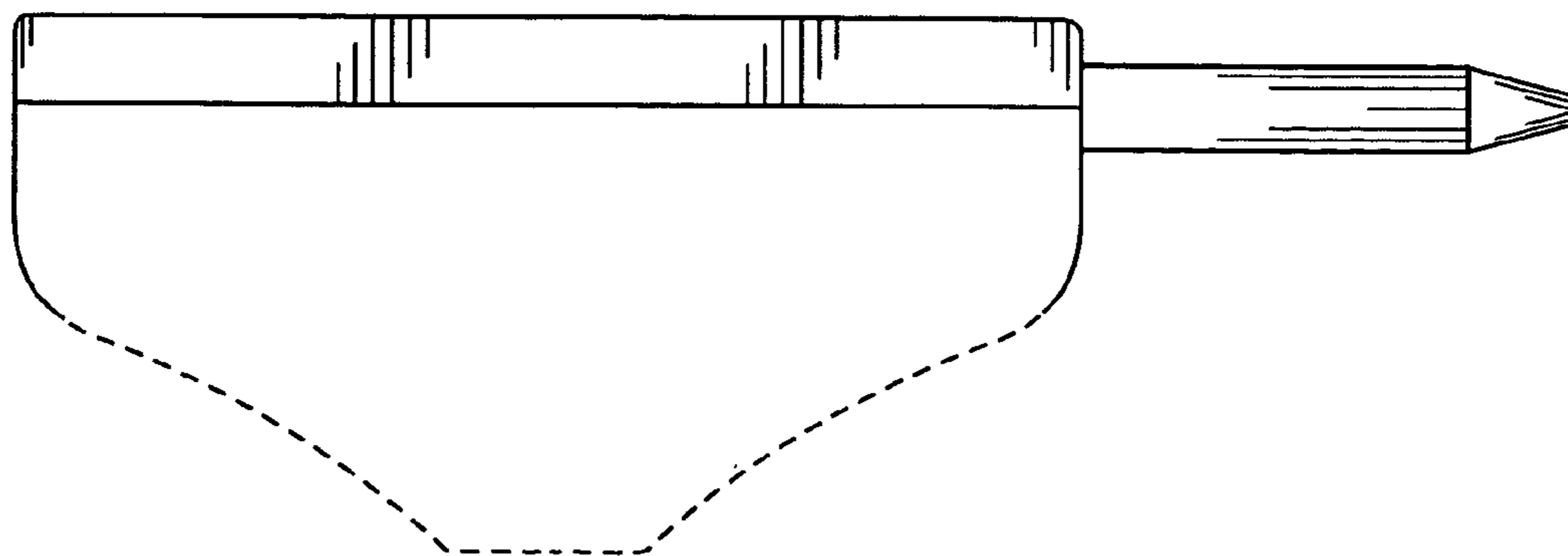


FIG. 3

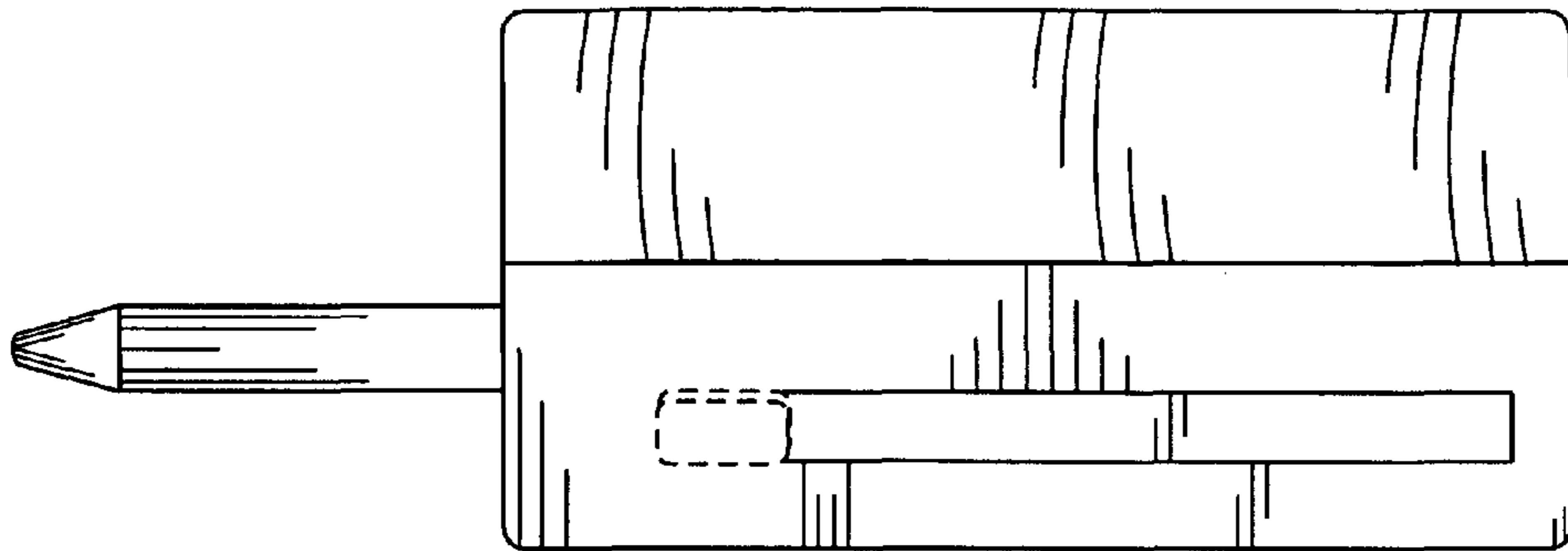


FIG. 4

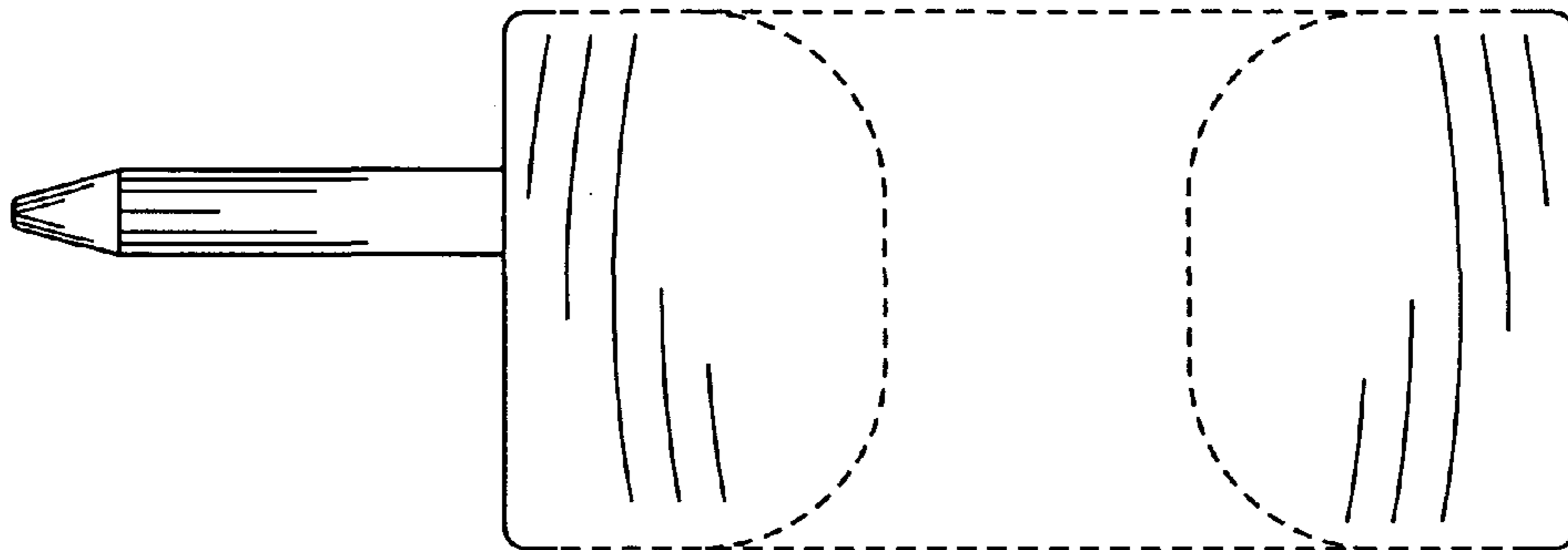


FIG. 5

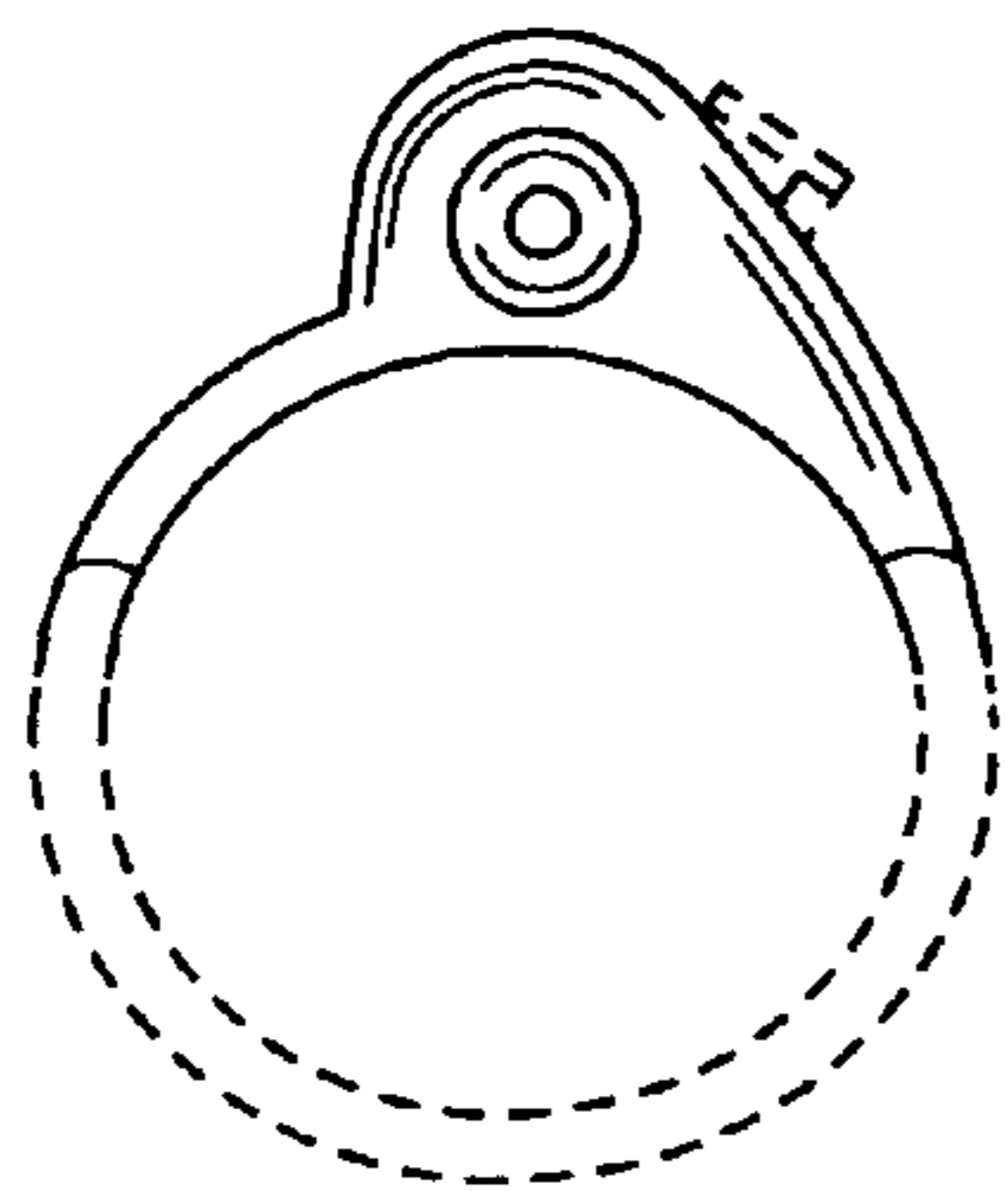


FIG. 6

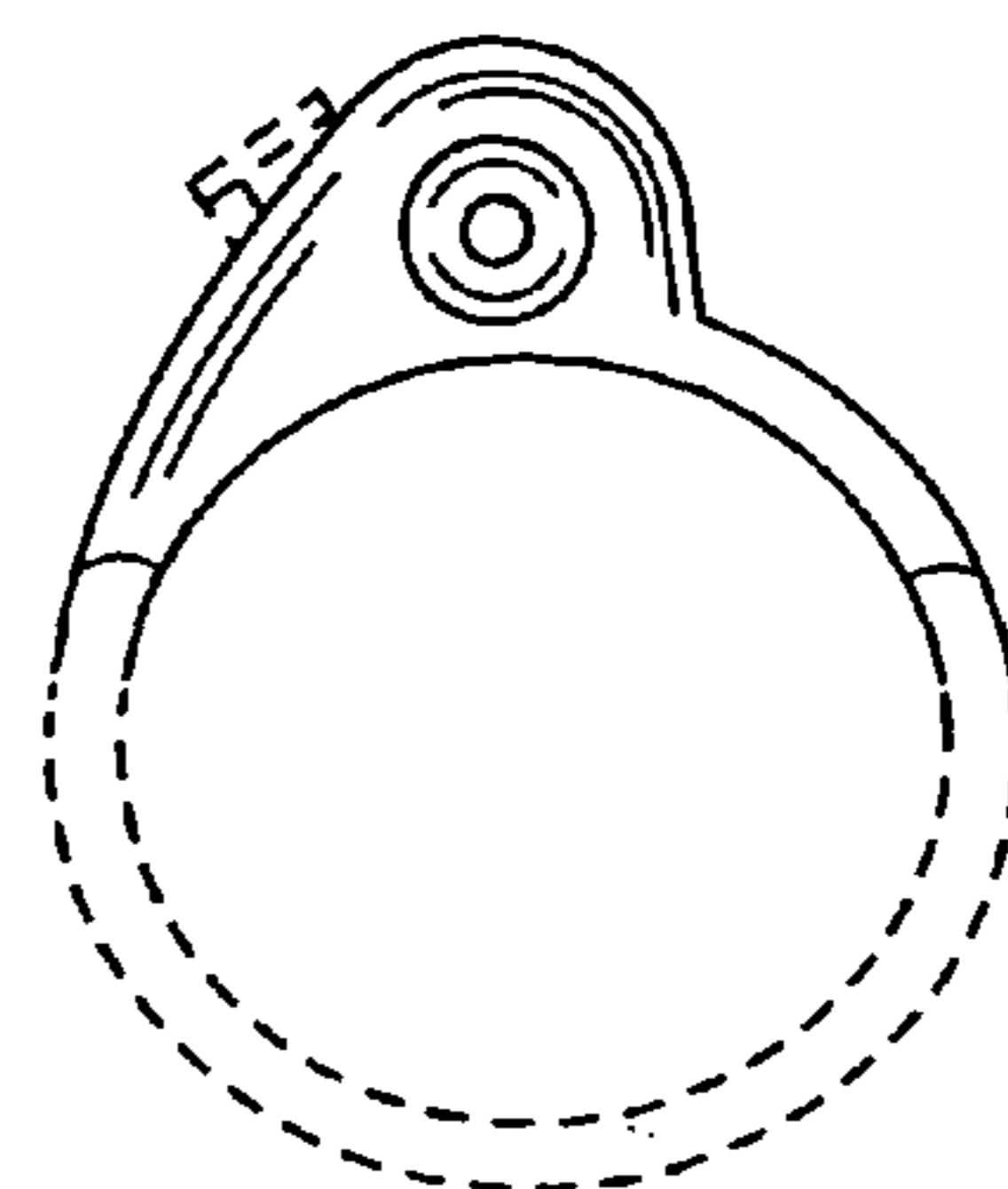


FIG. 7

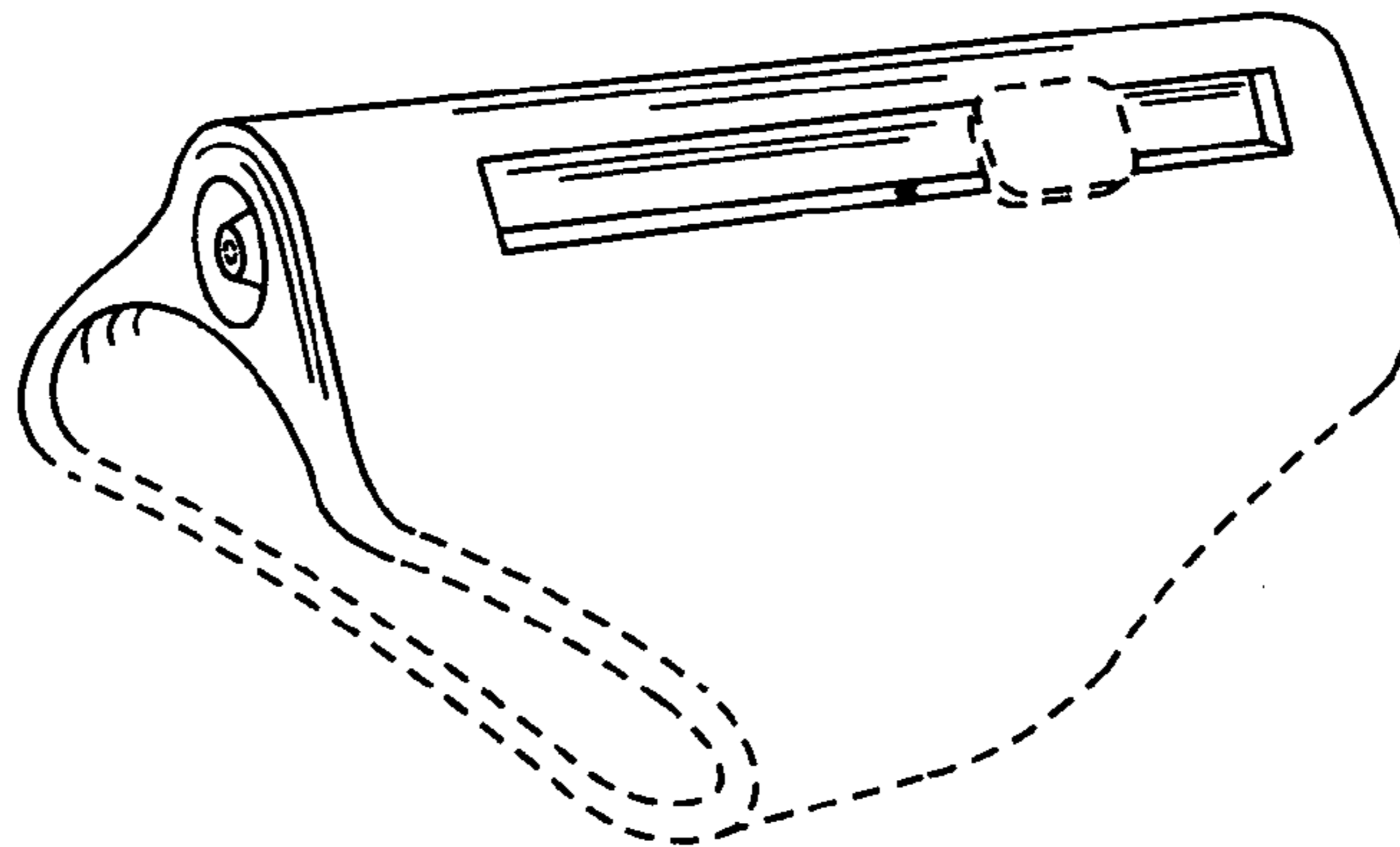


FIG. 8

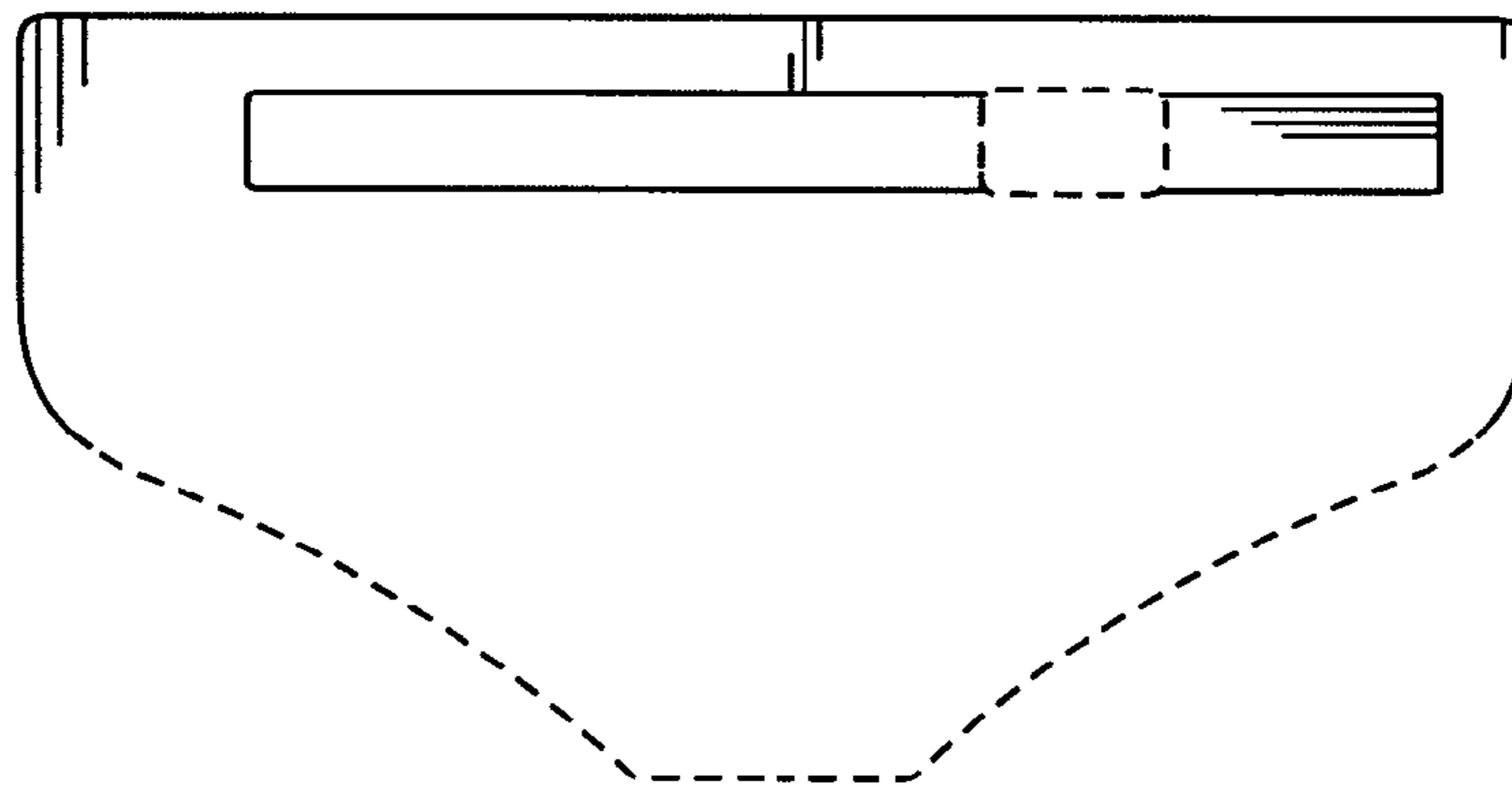


FIG. 9

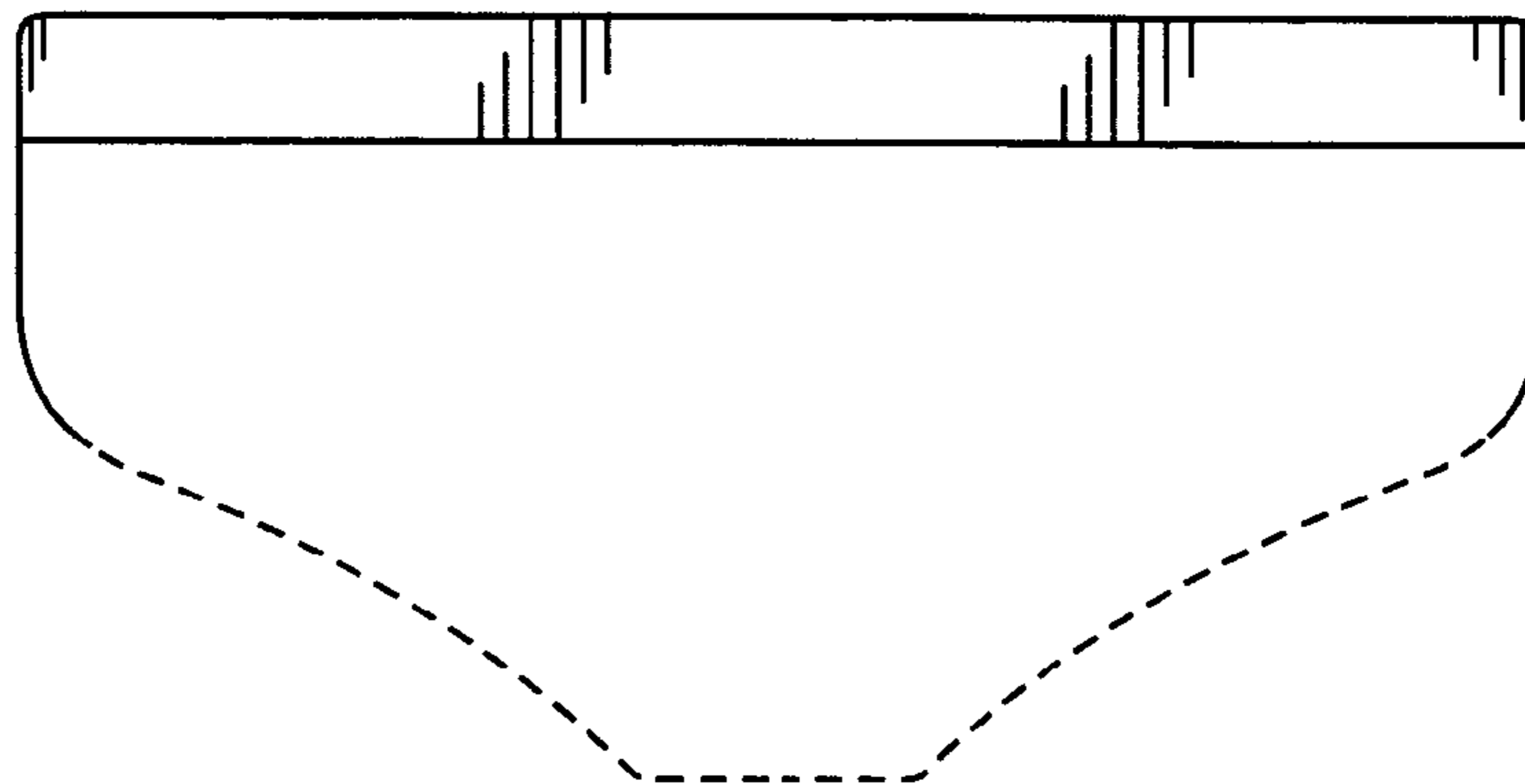


FIG. 10

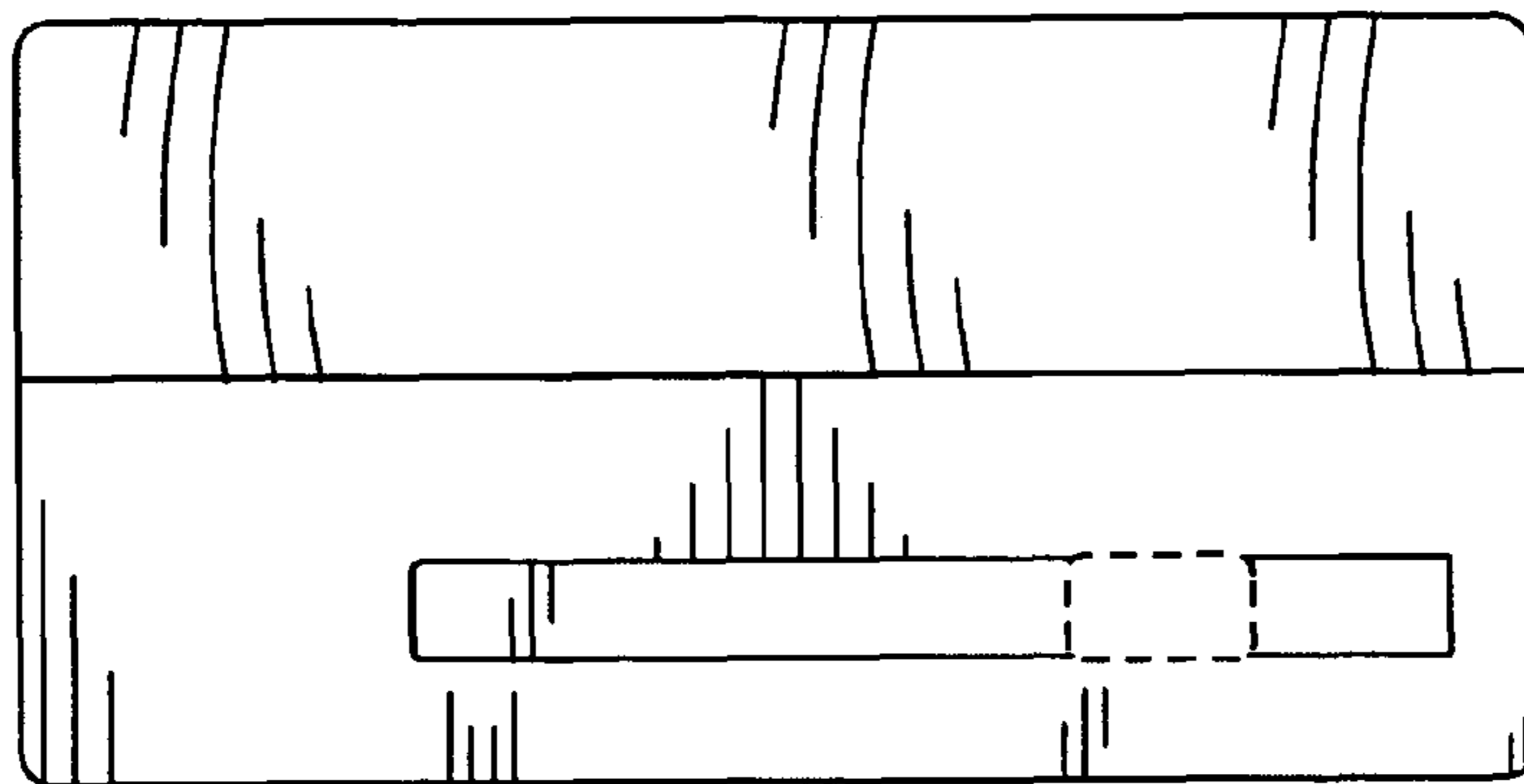


FIG. 11

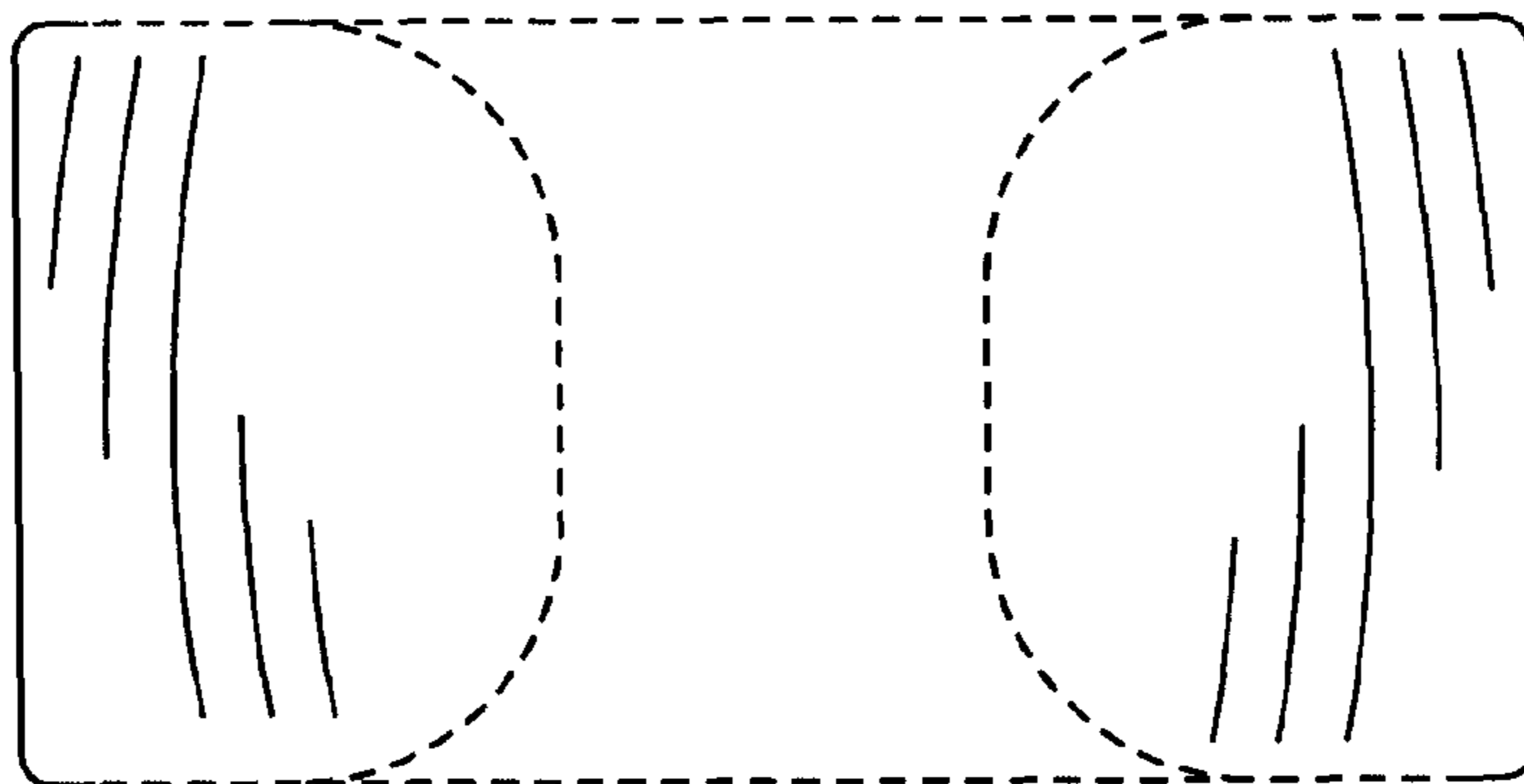


FIG. 12

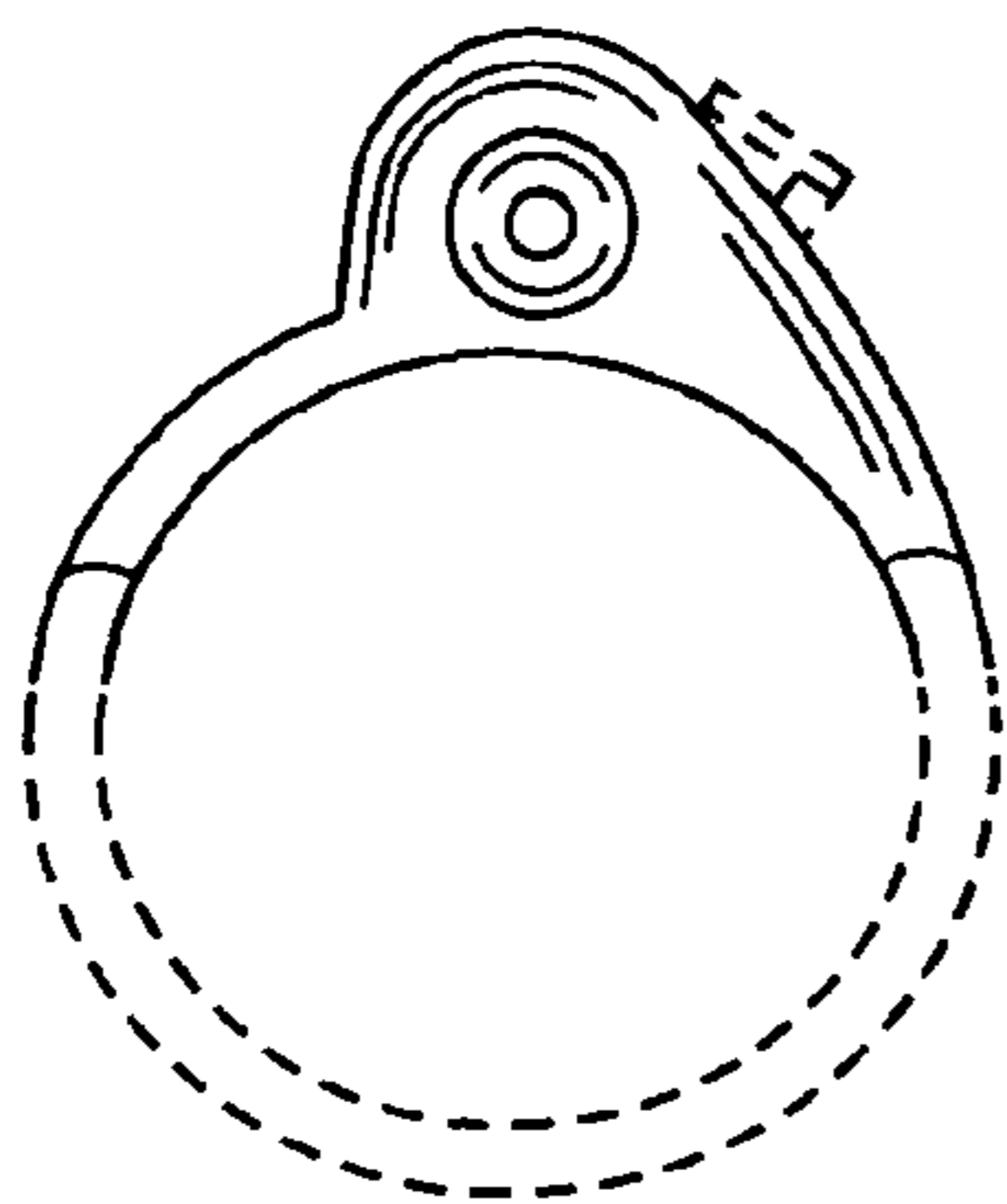


FIG. 13

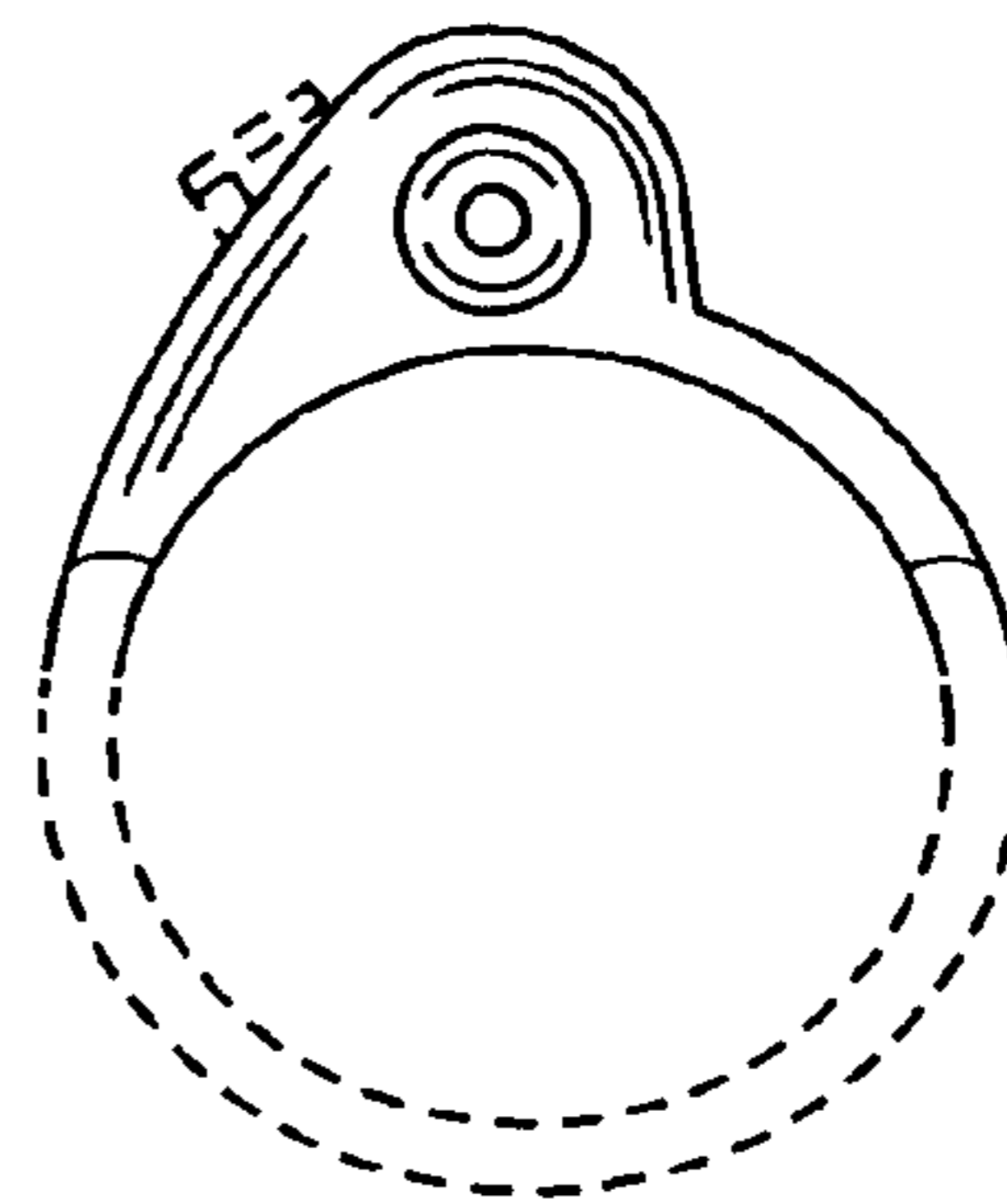


FIG. 14



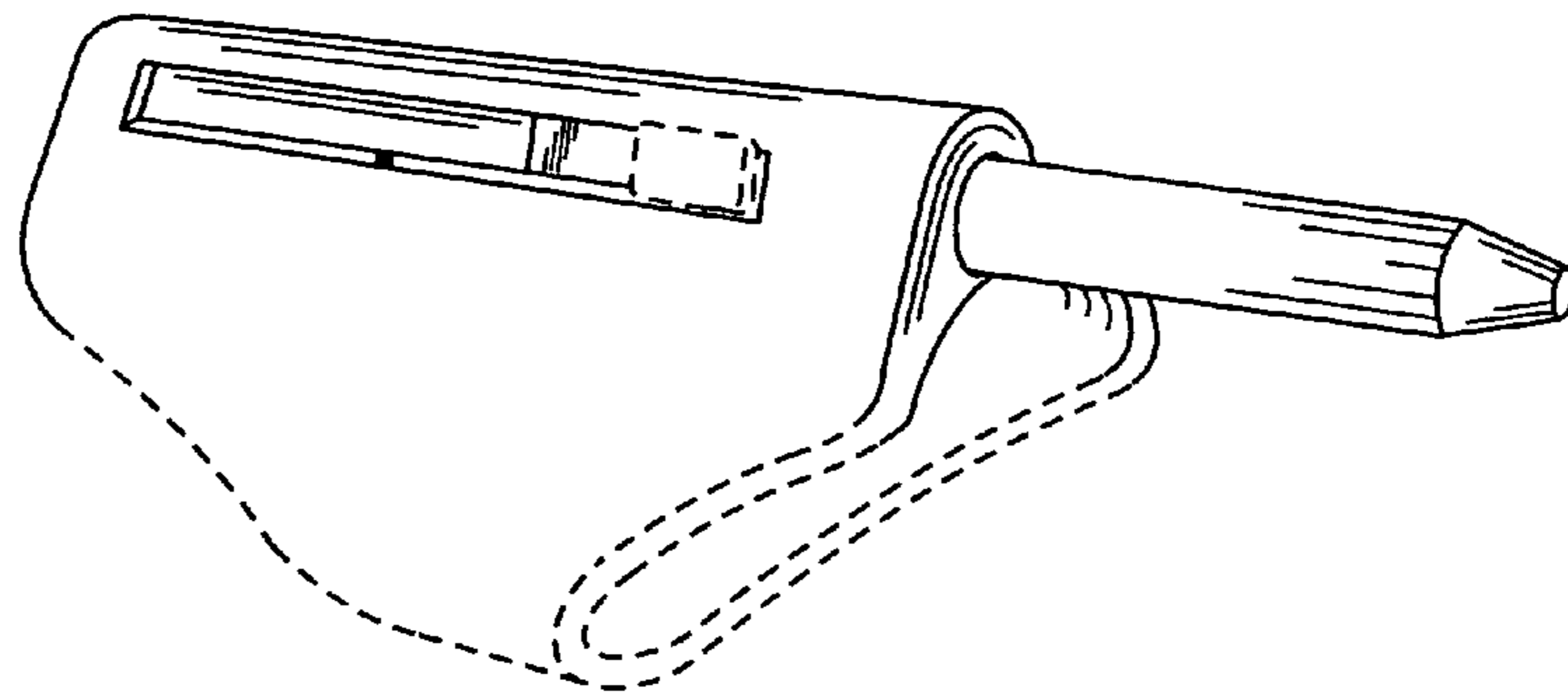


FIG. 15

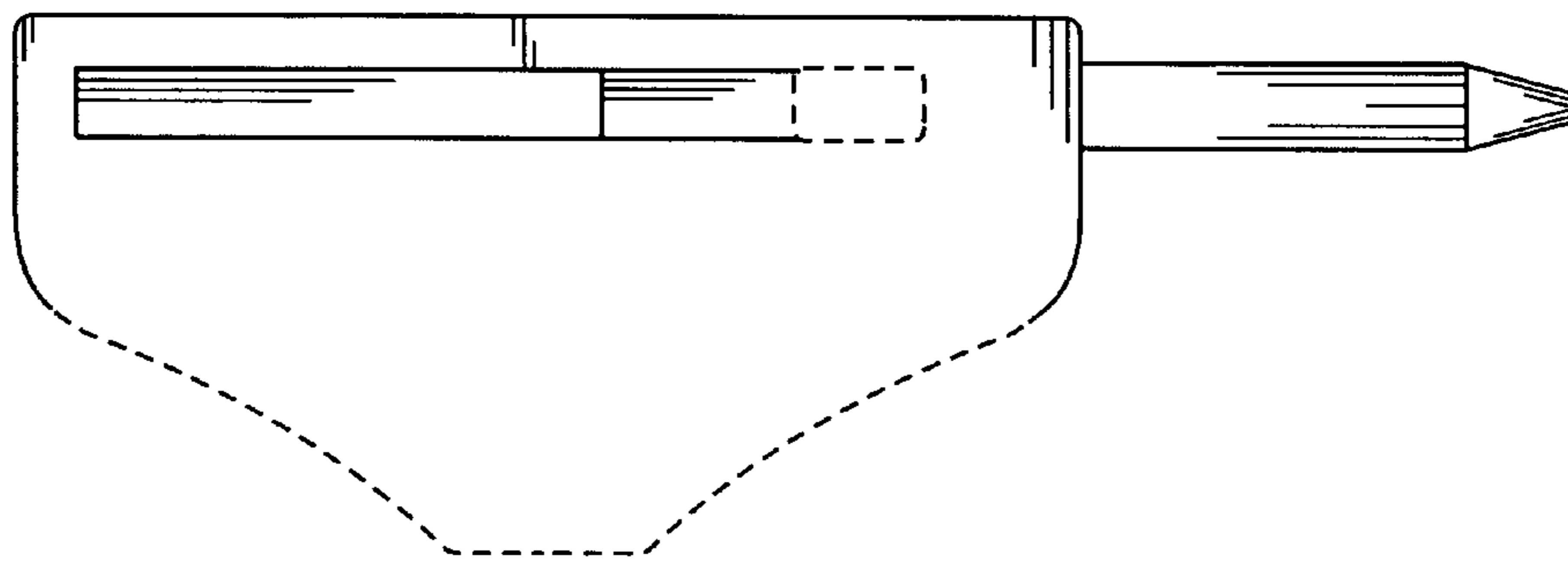


FIG. 16

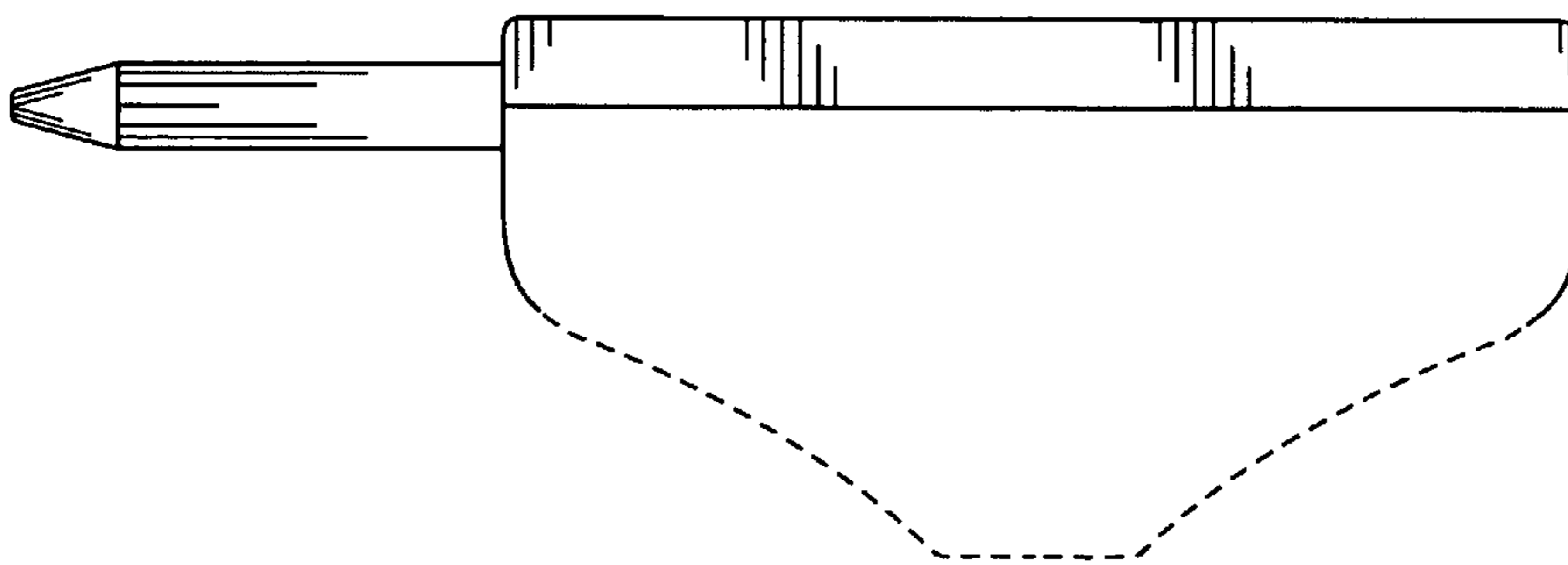


FIG. 17

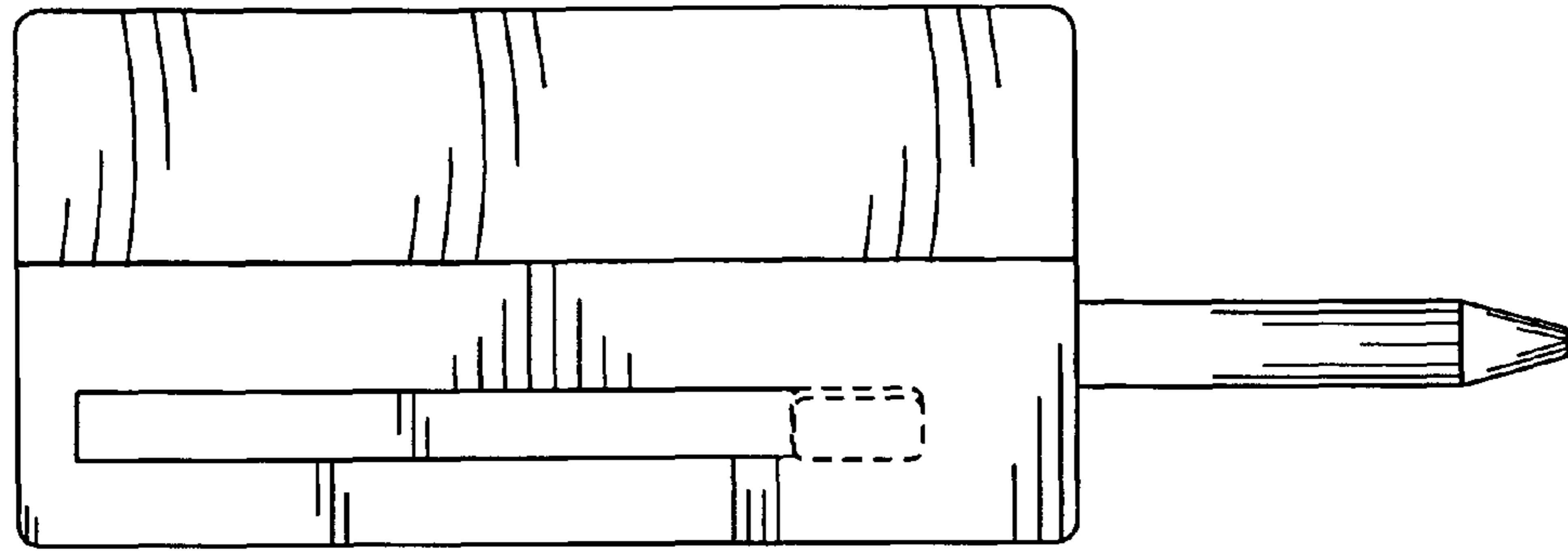


FIG. 18

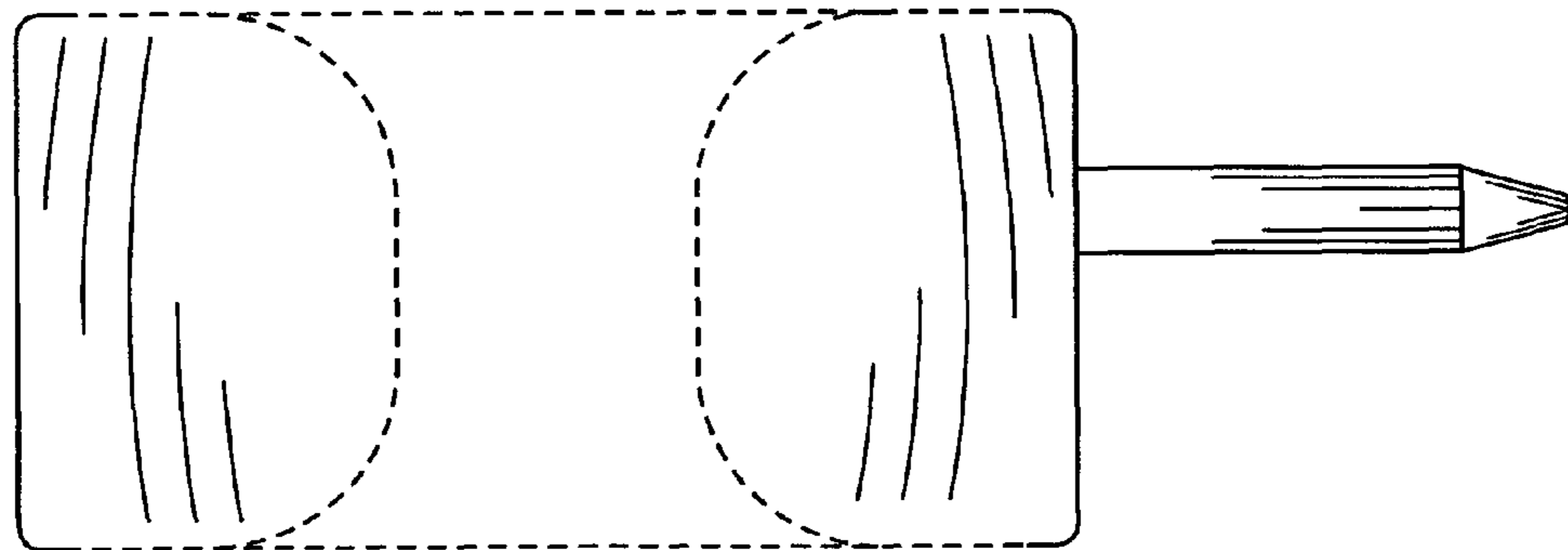


FIG. 19

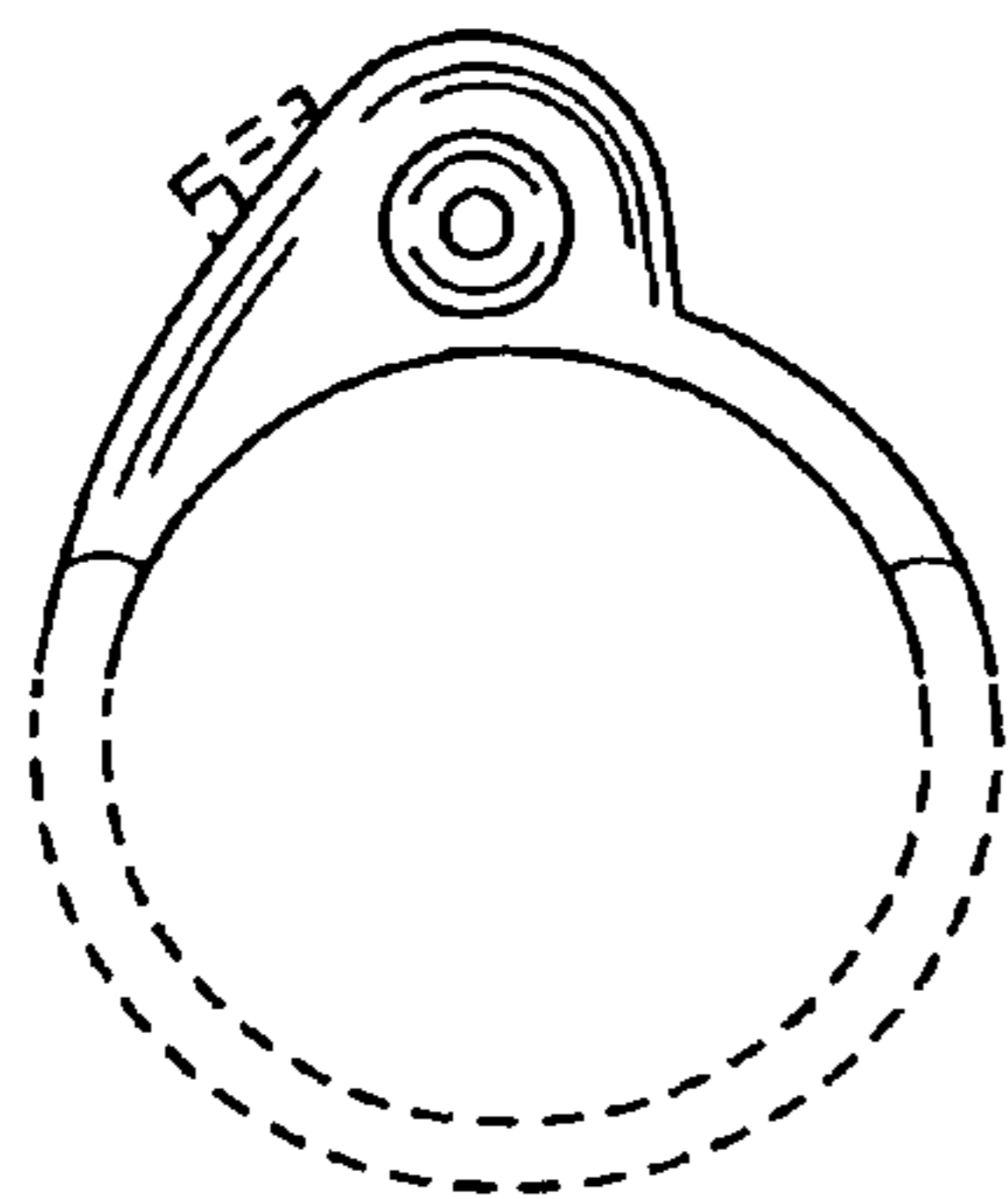


FIG. 20

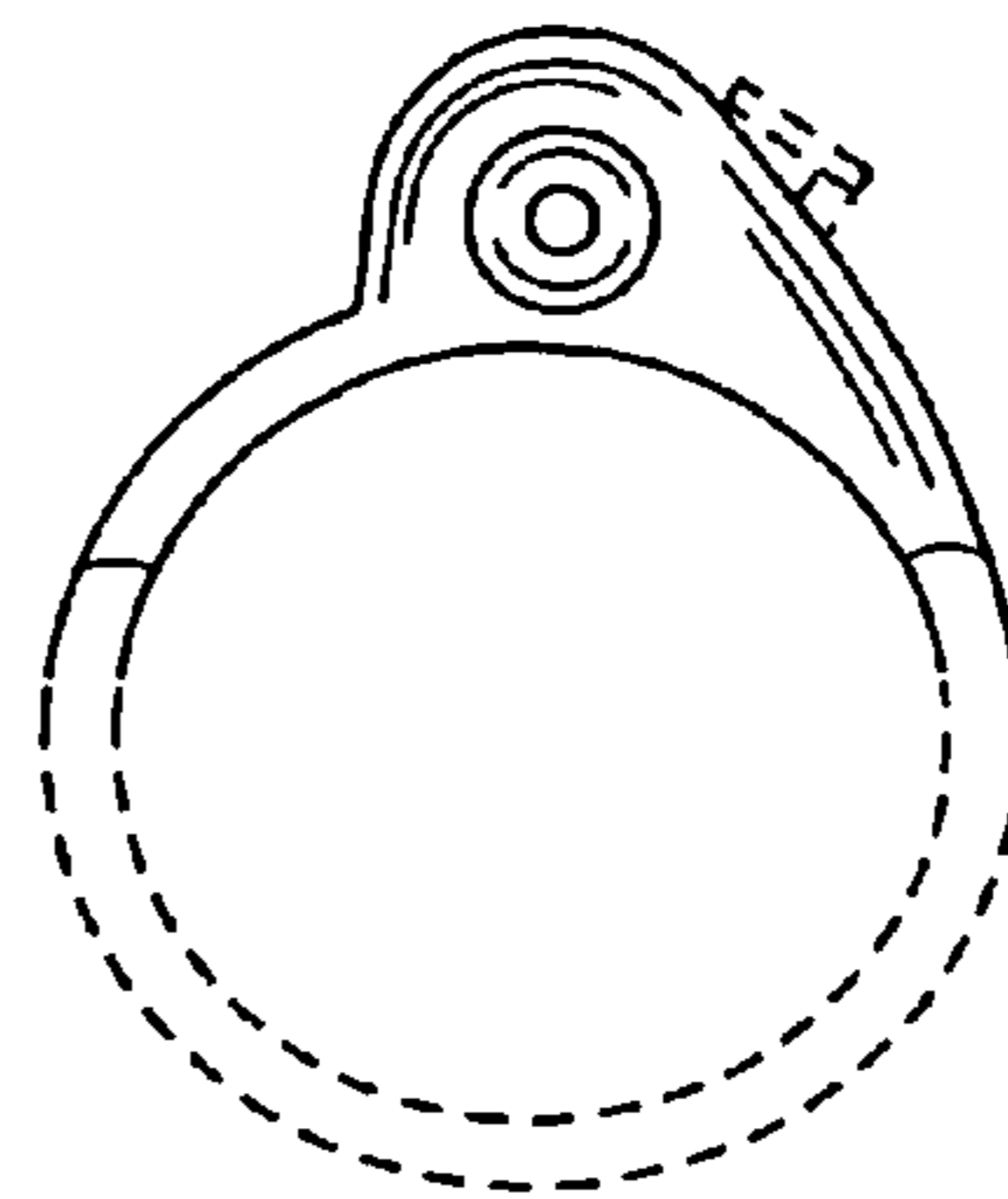


FIG. 21



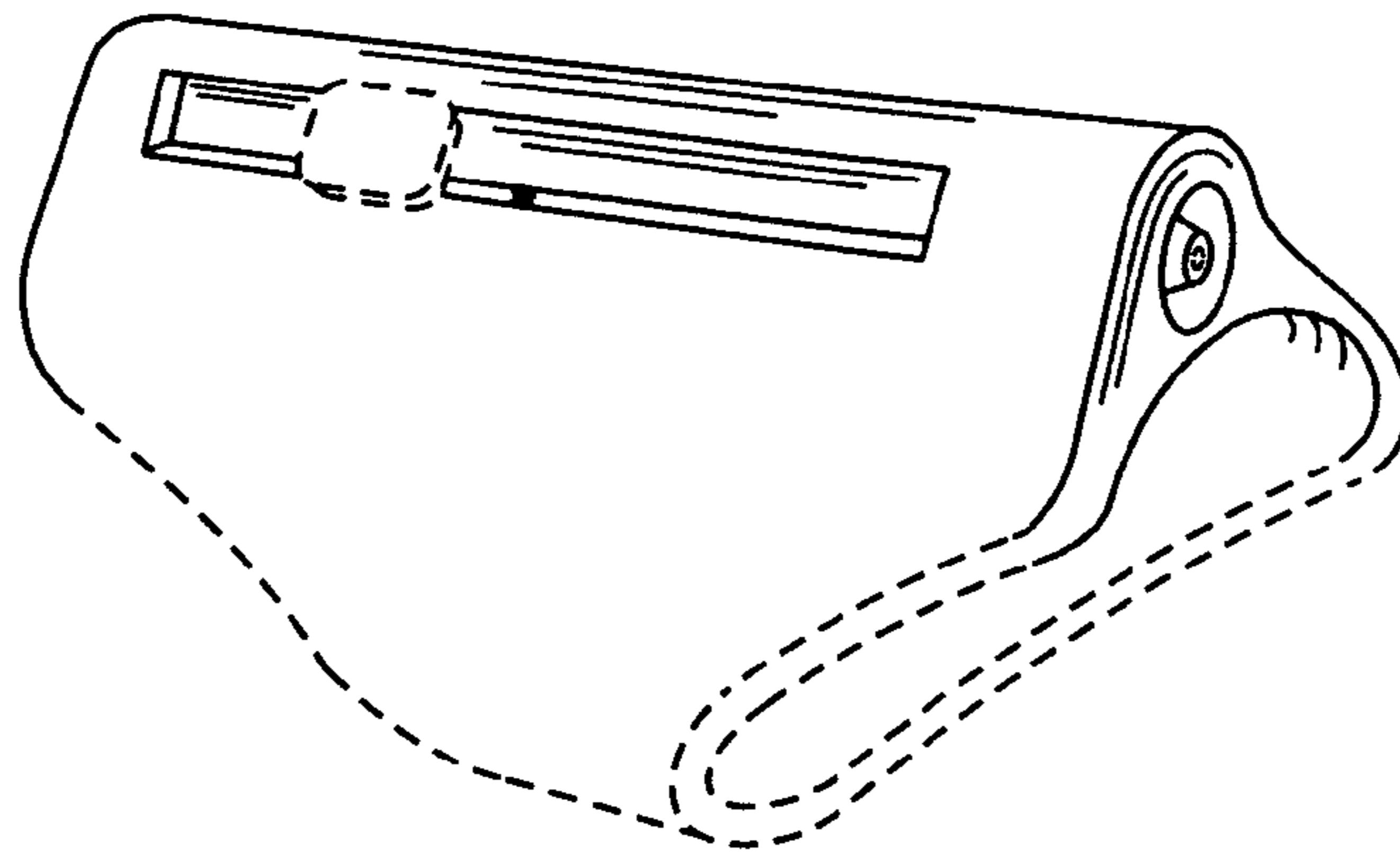


FIG. 22

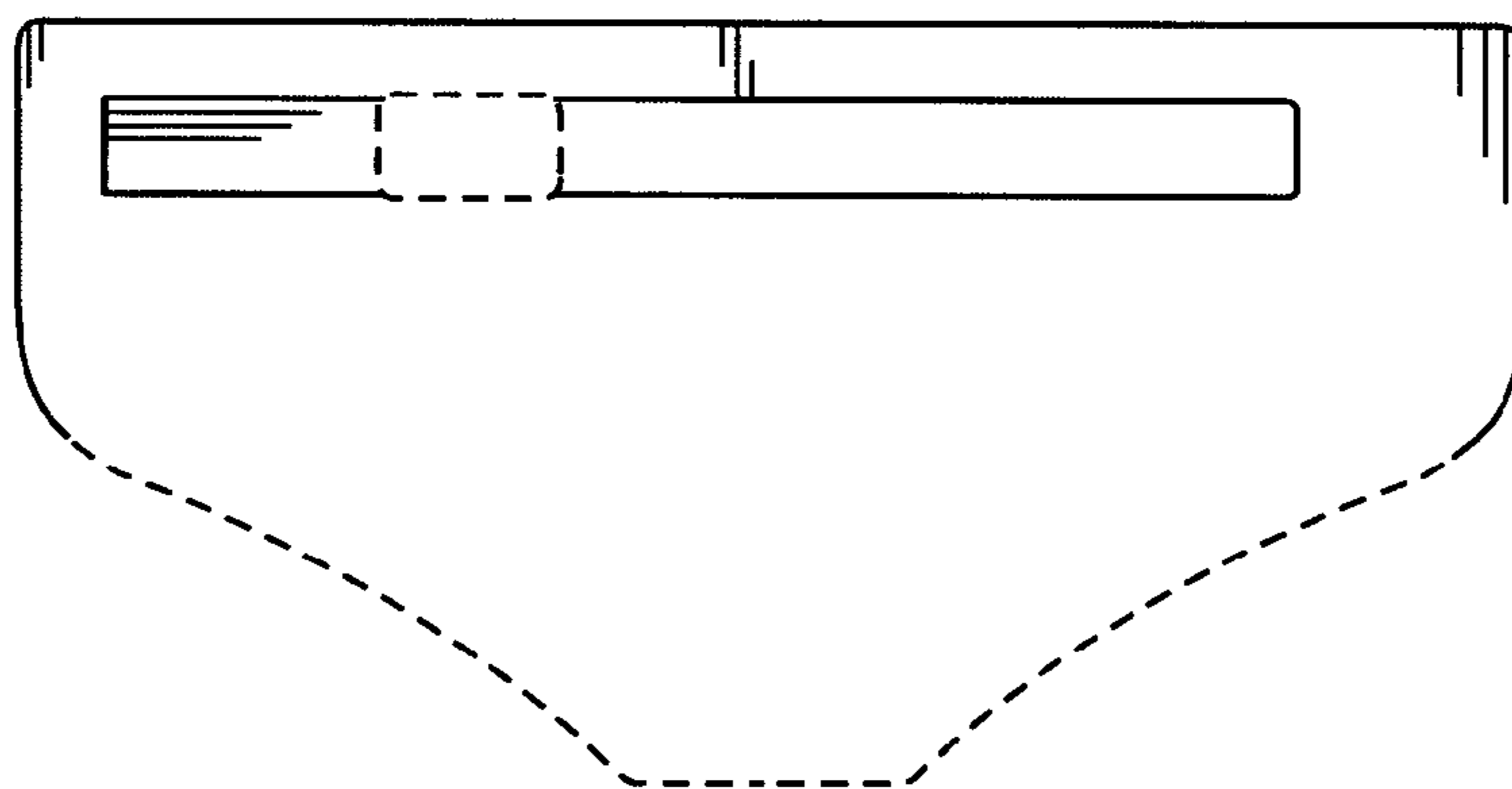


FIG. 23

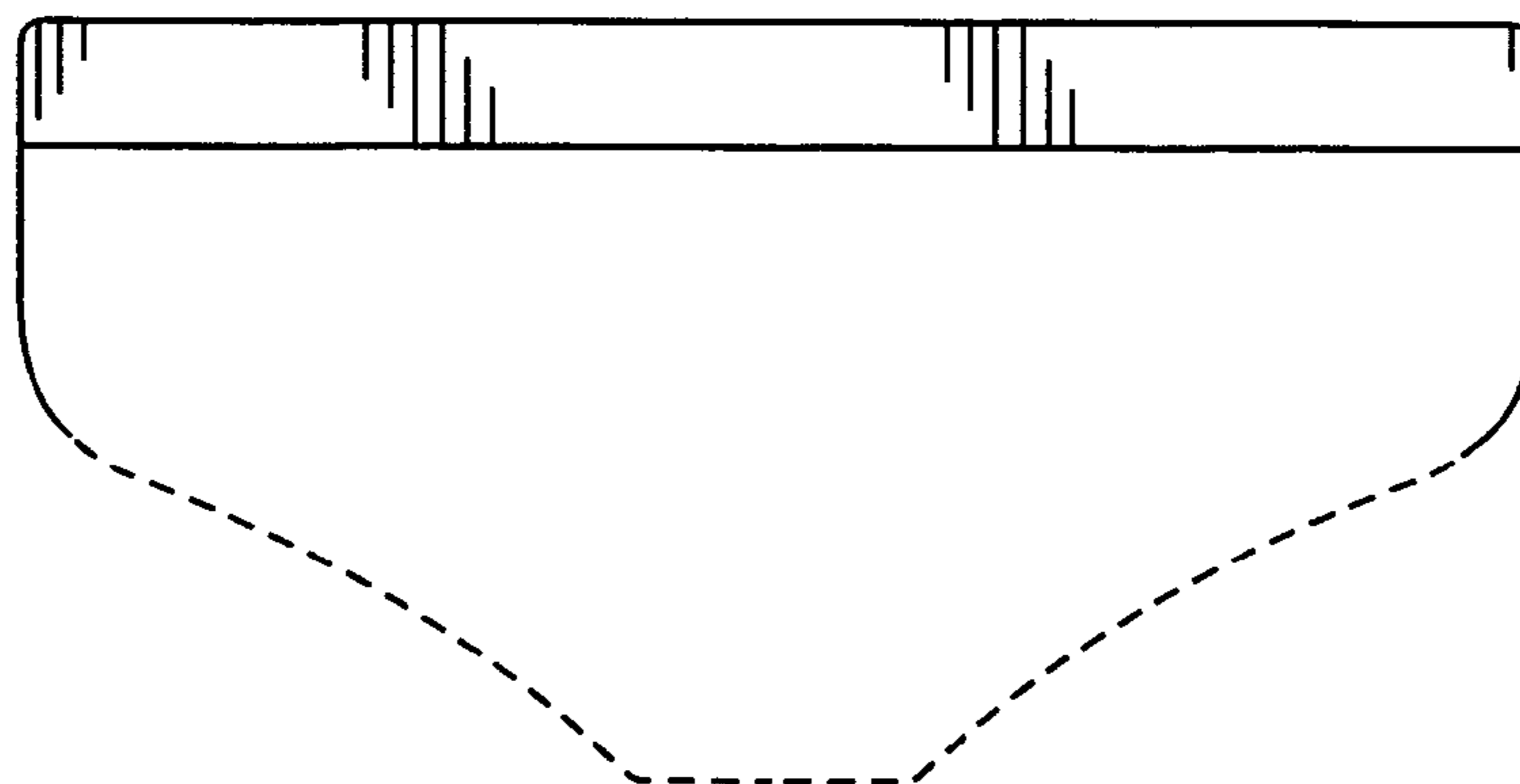


FIG. 24

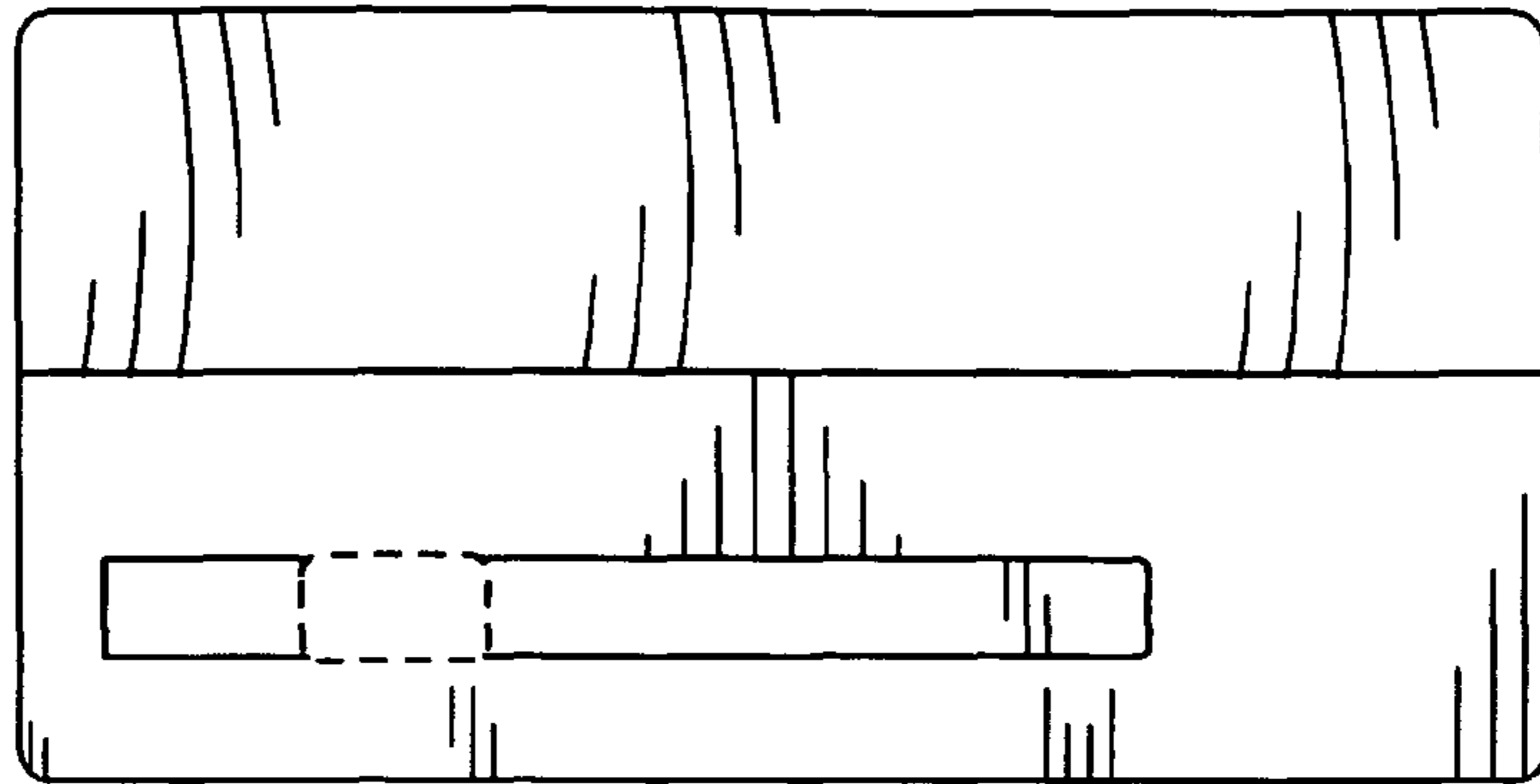


FIG. 25

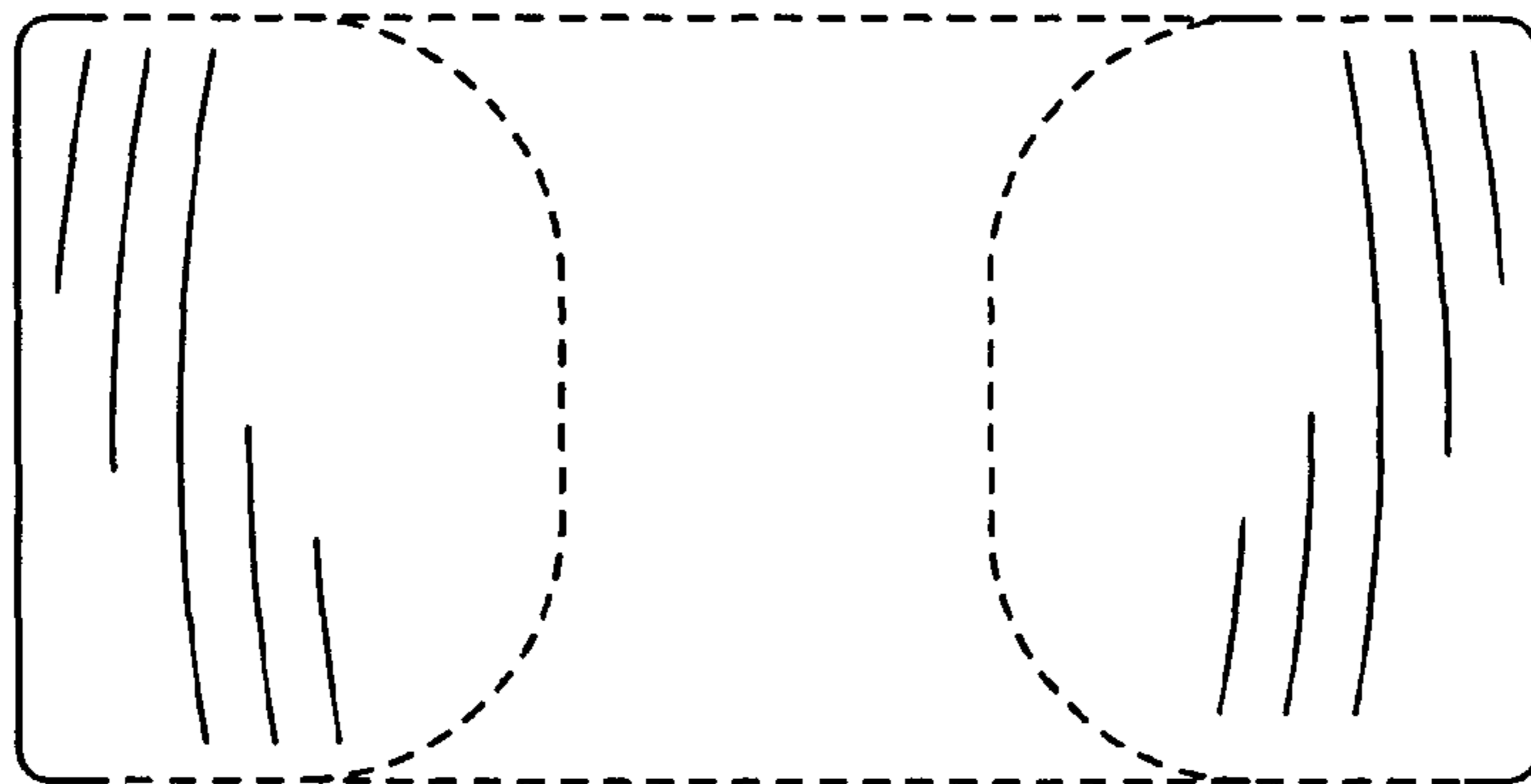


FIG. 26

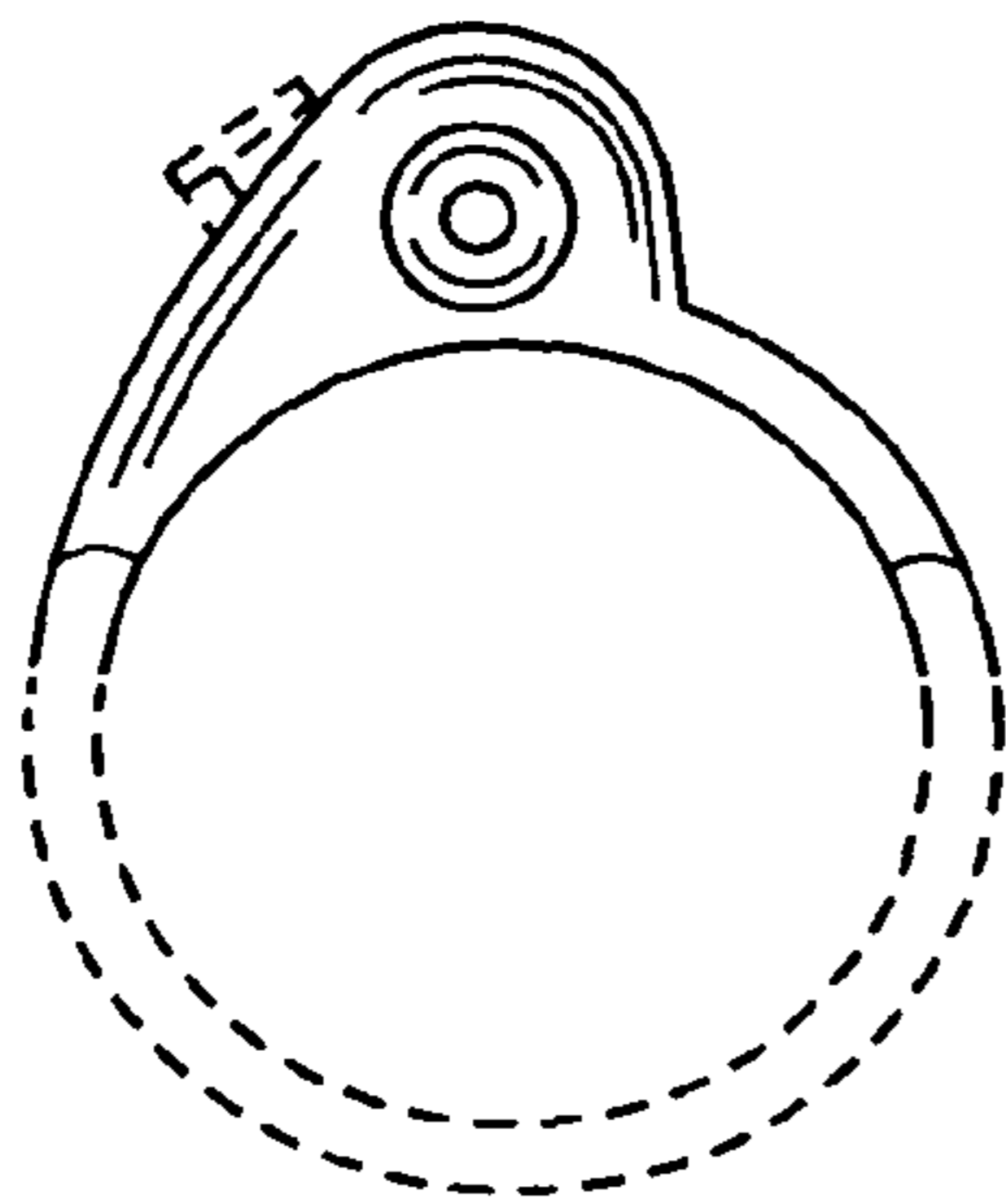


FIG. 27

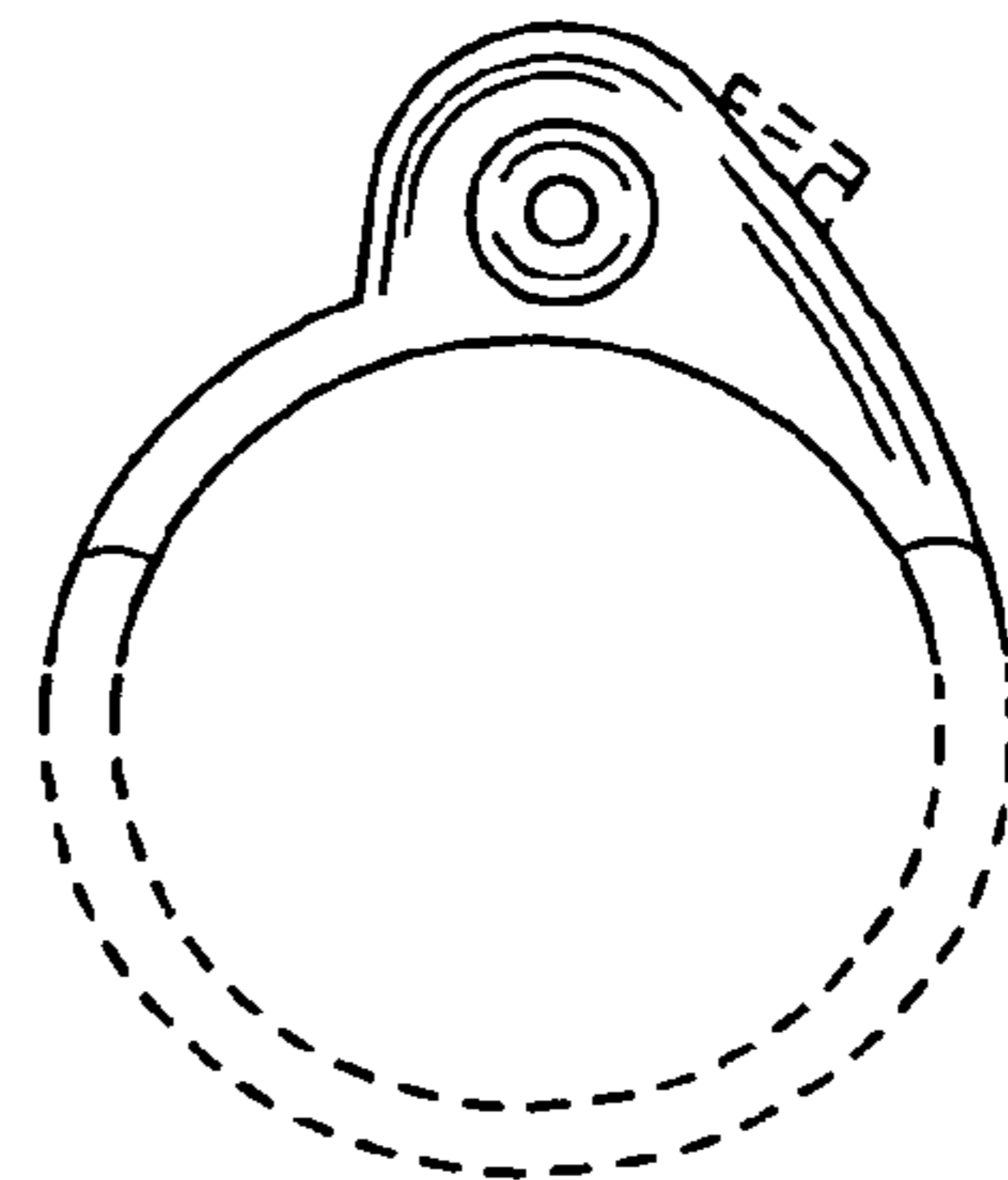


FIG. 28