

US00D639802S

(12) **United States Design Patent**
Brooks

(10) **Patent No.:** **US D639,802 S**

(45) **Date of Patent:** **** Jun. 14, 2011**

(54) **LAPTOP COMPUTER WITH BUILT-IN
SCANNER, COPIER, FAX MACHINE, AND
PRINTER**

(76) Inventor: **Carolyn Brooks**, North Augusta, SC
(US)

(**) Term: **14 Years**

(21) Appl. No.: **29/365,719**

(22) Filed: **Jul. 14, 2010**

(51) **LOC (9) Cl.** **14-02**

(52) **U.S. Cl.** **D14/315; D14/424; D14/462;**
D18/36; D18/52

(58) **Field of Classification Search** D14/315-331,
D14/422, 424, 425, 462, 464; D18/36, 50,
D18/52, 54, 55; 200/5 A, 5 R, 6 A, 6 R;
345/102, 168, 173; 235/145 A, 145 R; 400/472,
400/715; 361/679.06, 679.09, 679.45, 679.55
See application file for complete search history.

(56) **References Cited**

U.S. PATENT DOCUMENTS

D343,831	S	*	2/1994	Spoeth	D14/319
D344,497	S	*	2/1994	Matsumoto	D14/323
D344,720	S	*	3/1994	Inukai	D14/323
D350,732	S	*	9/1994	Inukai	D14/326
D358,136	S	*	5/1995	Samuelson	D14/315
5,443,320	A	*	8/1995	Agata et al.	400/715
D370,214	S	*	5/1996	Kondo	D14/319
5,845,144	A	*	12/1998	Tateyama et al.	712/1
5,872,557	A	*	2/1999	Wiemer et al.	345/156
D412,701	S	*	8/1999	Cantu	D14/424
6,040,572	A	*	3/2000	Khovaylo et al.	250/235
6,078,407	A	*	6/2000	Ma	358/474

D435,527	S	*	12/2000	Iino et al.	D14/501
6,219,227	B1	*	4/2001	Trane	361/679.27
6,259,597	B1	*	7/2001	Anzai et al.	361/679.55
6,700,773	B1	*	3/2004	Adriaansen et al.	361/679.08
6,781,823	B1	*	8/2004	Nyack	361/679.29
D517,540	S	*	3/2006	Minns et al.	D14/315
7,215,441	B2	*	5/2007	Silverbrook et al.	358/1.9
7,341,341	B2	*	3/2008	Silverbrook	347/109
7,542,284	B1	*	6/2009	Wilson, Sr.	361/679.45
7,845,869	B2	*	12/2010	King et al.	400/472
2003/0151888	A1	*	8/2003	Chien et al.	361/680
2006/0226040	A1	*	10/2006	Medina	206/320
2009/0086003	A1	*	4/2009	Silverbrook et al.	347/109

* cited by examiner

Primary Examiner — Freda Nunn

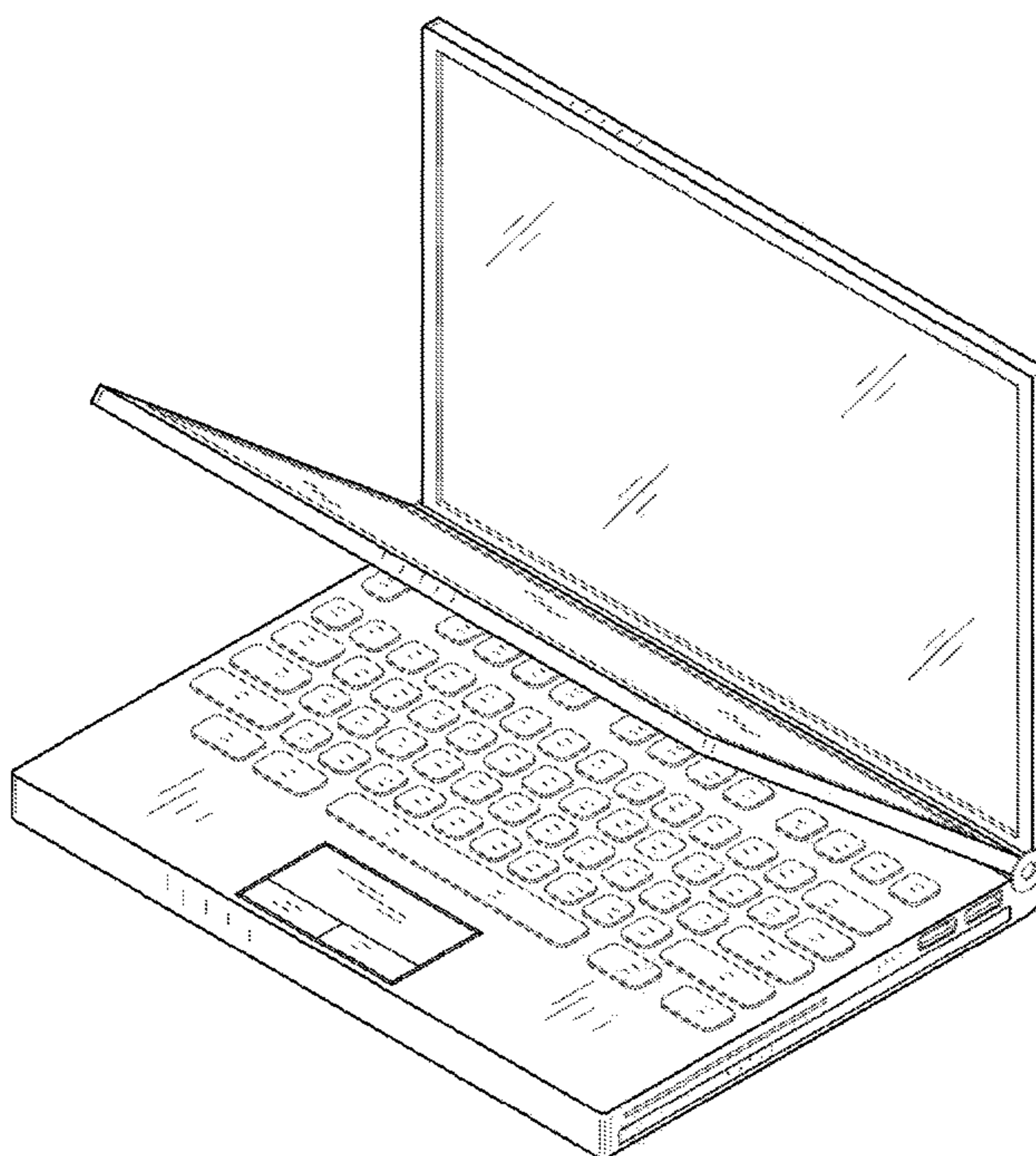
(57) **CLAIM**

The ornamental design for the laptop computer with built-in scanner, copier, fax machine, and printer, as shown and described.

DESCRIPTION

FIG. 1 is a front view of the laptop computer with built-in scanner, copier, fax machine, and printer.
FIG. 2 is a rear view of the claimed design.
FIG. 3 is a left view of the claimed design.
FIG. 4 is a right view of the claimed design.
FIG. 5 is a top view of the claimed design.
FIG. 6 is a bottom view of the claimed design; and,
FIG. 7 is a perspective view of the claimed design.
Broken lines shown in the drawings illustrate portions of the laptop computer with built-in scanner, copier, fax machine, and printer and form no part of the claimed design.

1 Claim, 6 Drawing Sheets



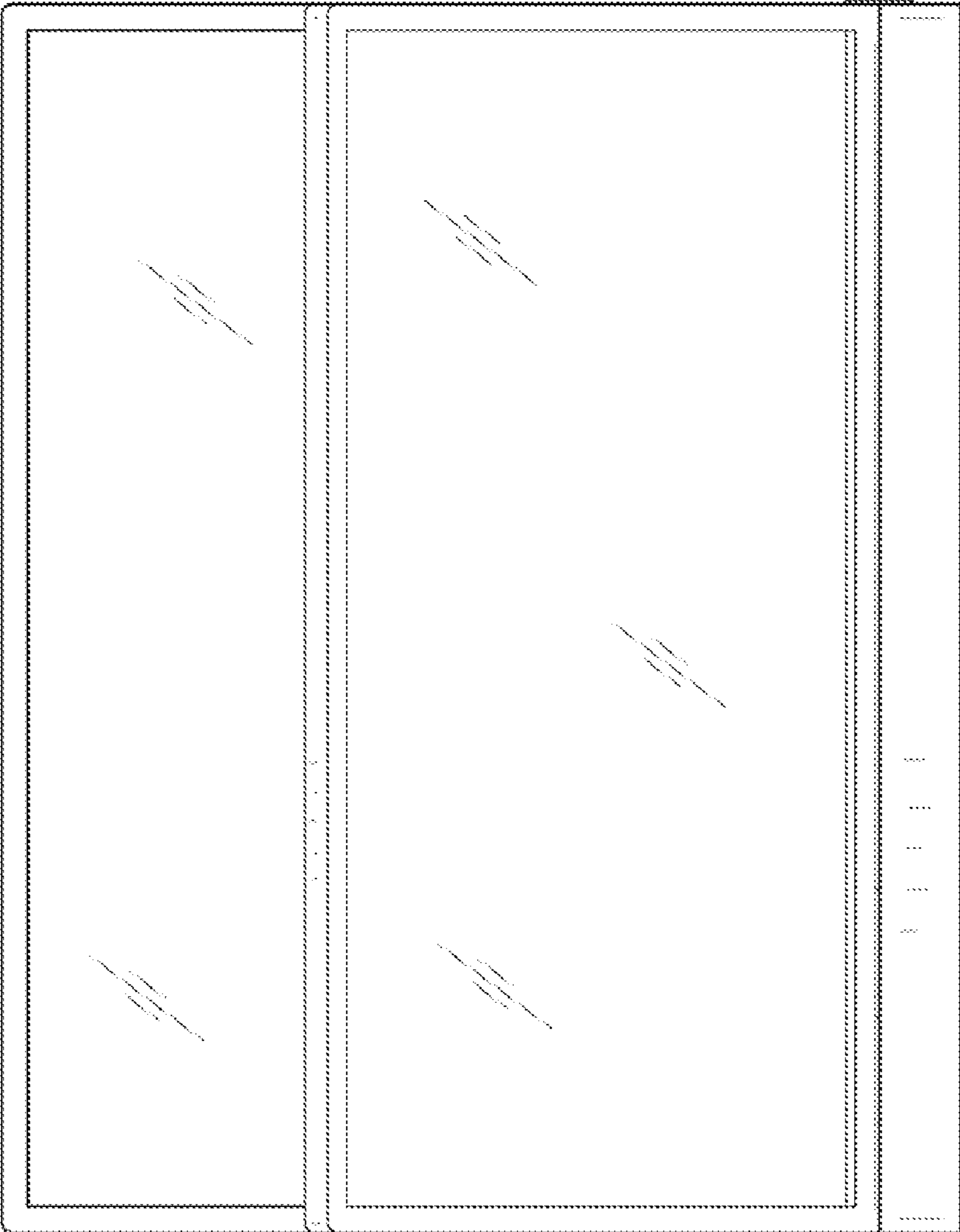


FIG. 1

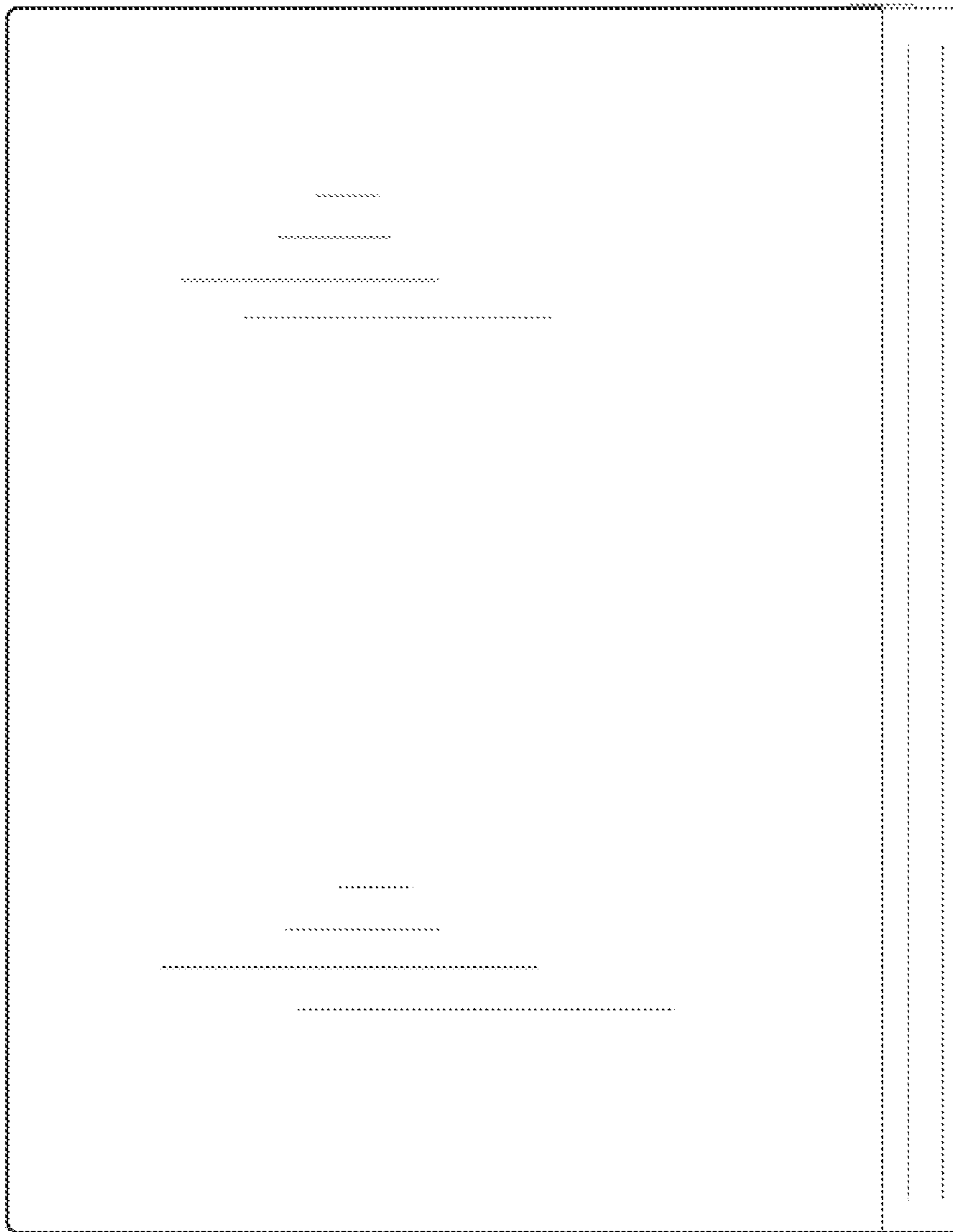


FIG. 2

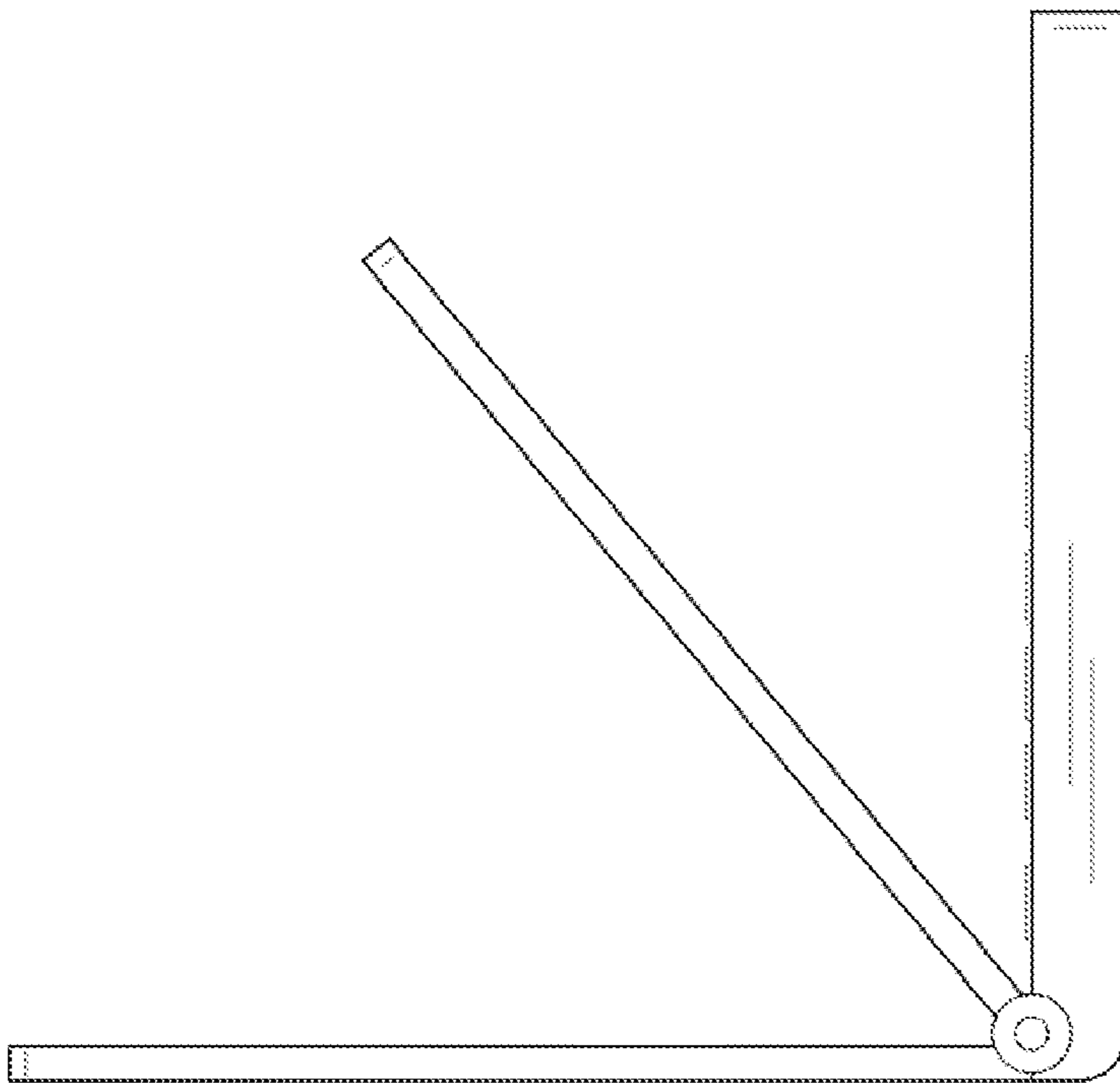


FIG. 3

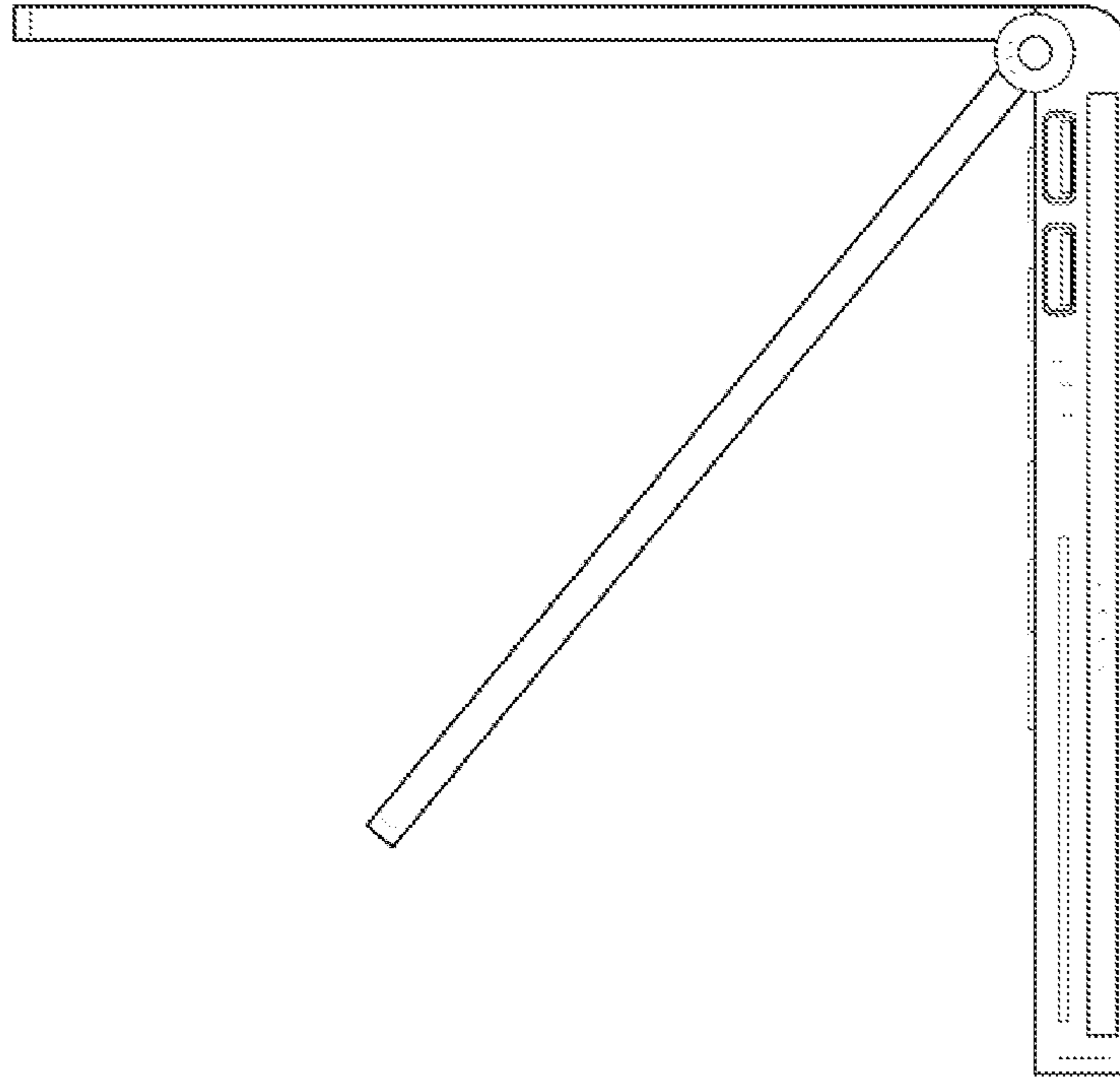


FIG. 4

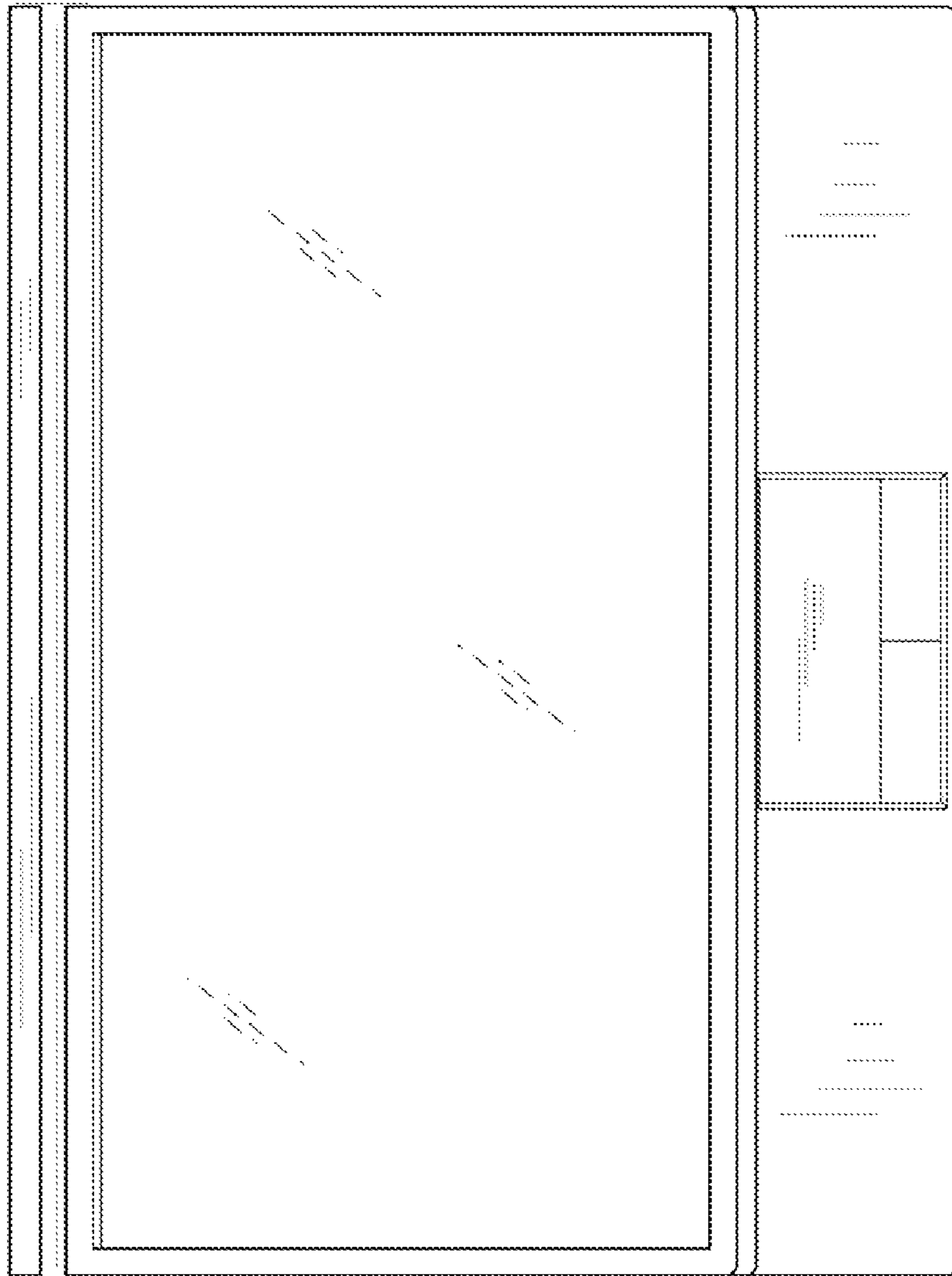


FIG. 5

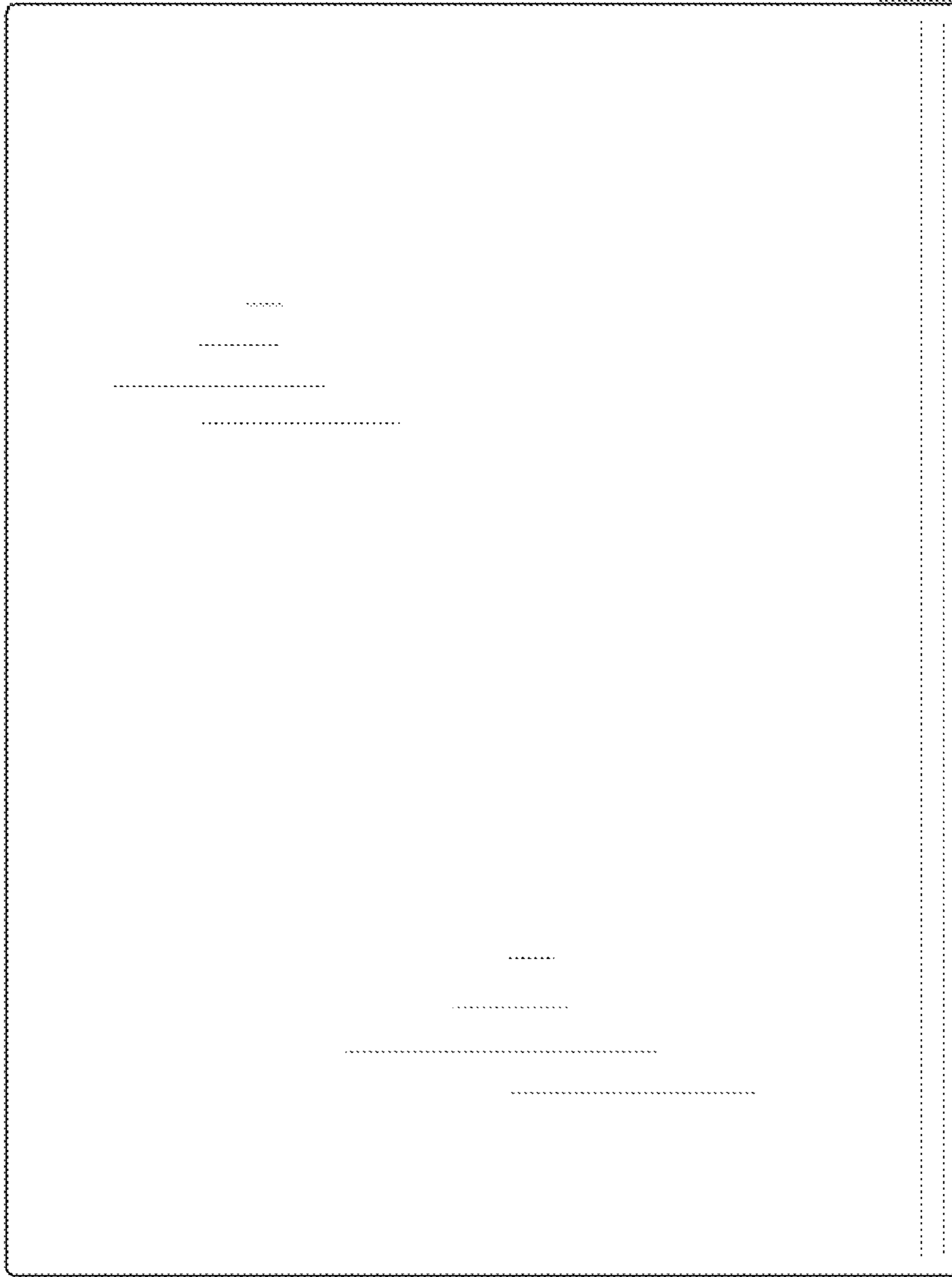


FIG. 6

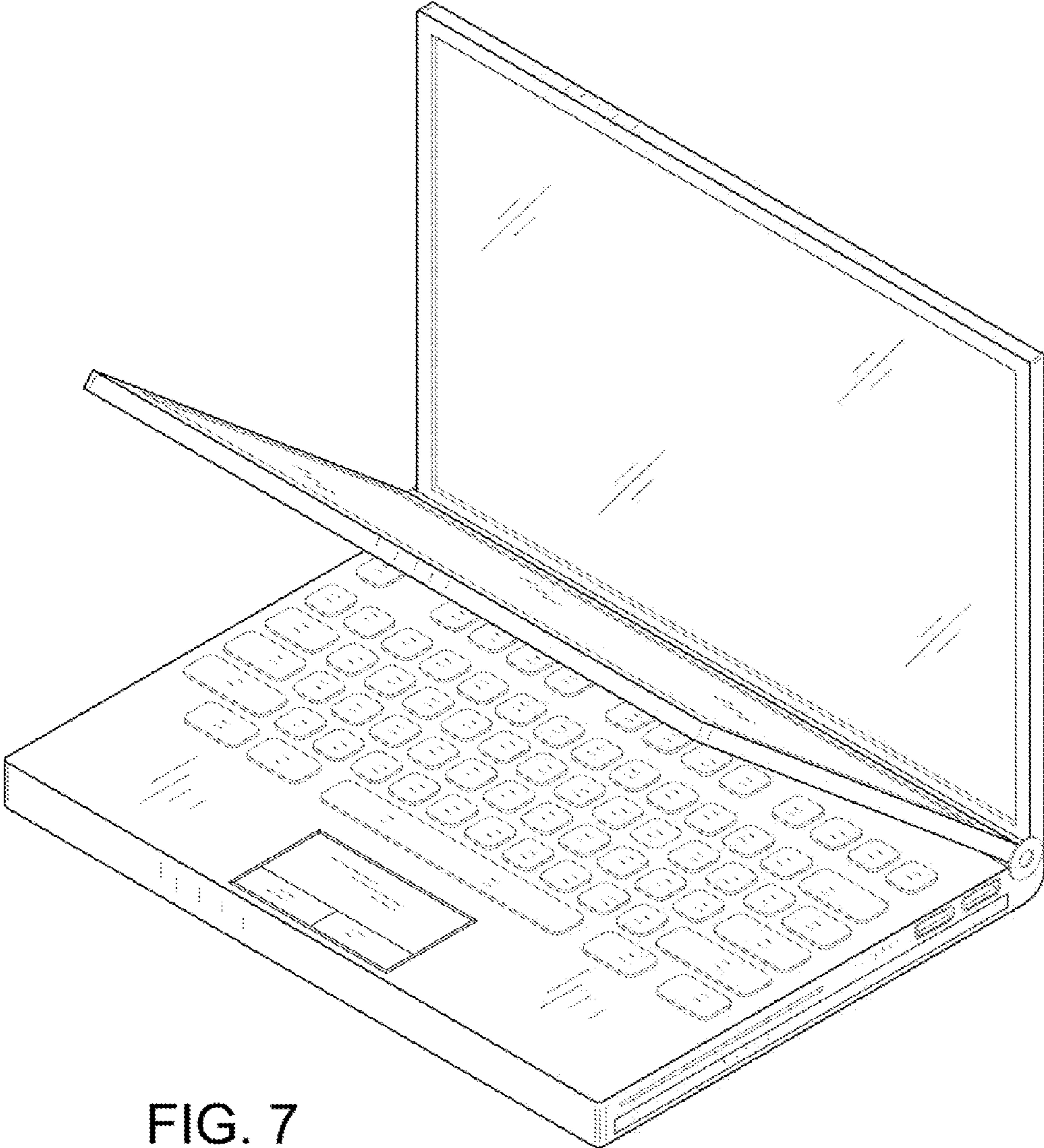


FIG. 7