



US00D639801S

(12) **United States Design Patent**
Kuroda et al.

(10) **Patent No.:** **US D639,801 S**
(45) **Date of Patent:** **** Jun. 14, 2011**

(54) **COMPUTER TERMINAL**

(75) Inventors: **Satoshi Kuroda**, Kahoku (JP); **Hiroyuki Kuroda**, Kahoku (JP)

(73) Assignee: **PFU Limited**, Kahoku-shi (JP)

(**) Term: **14 Years**

(21) Appl. No.: **29/365,673**

(22) Filed: **Jul. 13, 2010**

(30) **Foreign Application Priority Data**

Apr. 12, 2010 (JP) 2010-009218

(51) **LOC (9) Cl.** **14-02**

(52) **U.S. Cl.** **D14/307; D18/4.6**

(58) **Field of Classification Search** D14/302–307,
D14/129, 900–902, 371, 374–382; D13/163;
D18/4.1–4.6; D21/329, 332, 325, 369, 370;
D99/28; 361/679.1, 679.02, 679.04, 679.21,
361/679.57, 724; 194/206; 235/379; 271/164;
705/43; D6/396, 697, 402; D20/10, 19
See application file for complete search history.

(56) **References Cited**

U.S. PATENT DOCUMENTS

D376,588	S	12/1996	Shinano	
D387,041	S	12/1997	Horiki et al.	
D395,454	S	6/1998	Hayashi	
D410,441	S *	6/1999	Lin	D14/314
5,973,922	A *	10/1999	Kamphuis	361/704
D417,440	S *	12/1999	Wilson	D14/900
6,213,395	B1 *	4/2001	Dejaeger et al.	235/383
6,560,093	B1 *	5/2003	McLeod et al.	361/679.6
D476,005	S *	6/2003	Peng et al.	D14/375
D477,319	S *	7/2003	Duan	D14/375
6,744,938	B1 *	6/2004	Rantze et al.	382/312
D494,173	S	8/2004	Lin et al.	
D495,706	S *	9/2004	Lin et al.	D14/374
D526,003	S *	8/2006	Shih	D18/4.6
D527,760	S *	9/2006	Ono	D18/4.5
D529,073	S *	9/2006	Ono	D18/4.5
7,130,889	B2 *	10/2006	Goodwin et al.	709/218

D532,398	S	11/2006	Naruo	
D536,726	S *	2/2007	Ono	D18/4.6
D539,280	S *	3/2007	Andresen	D14/335
D541,267	S *	4/2007	Sagen et al.	D14/307
D542,333	S *	5/2007	Ando et al.	D18/4.6
D542,834	S *	5/2007	Ando et al.	D18/4.6
D550,663	S *	9/2007	Olea	D14/307
D551,197	S	9/2007	Vitito	
D573,593	S	7/2008	Sasaki et al.	
7,433,185	B1	10/2008	Curran et al.	
D587,296	S *	2/2009	Kuramochi	D18/4.5
D596,173	S	7/2009	Arfin	
D605,189	S *	12/2009	Kuroda	D14/307
D605,190	S *	12/2009	Kuroda et al.	D14/307
D605,191	S *	12/2009	Kuroda et al.	D14/307
7,654,446	B2 *	2/2010	Lum	235/379
D615,120	S *	5/2010	Ono	D18/4.5
D625,355	S *	10/2010	Branck et al.	D18/4.5
2002/0099791	A1	7/2002	Goodwin et al.	
2009/0289104	A1 *	11/2009	Yoneda	235/375
2009/0290379	A1 *	11/2009	Yoneda	362/620

* cited by examiner

Primary Examiner — Cathron C Brooks

Assistant Examiner — Deanna Fluegeman

(74) *Attorney, Agent, or Firm* — RatnerPrestia

(57) **CLAIM**

The ornamental design for a computer terminal, as shown and described.

DESCRIPTION

FIG. 1 is a front perspective view of a computer terminal showing our new design;
FIG. 2 is a front view thereof;
FIG. 3 is a rear view thereof;
FIG. 4 is a left side view thereof;
FIG. 5 is a right side view thereof;
FIG. 6 is a top plan view thereof; and,
FIG. 7 is a bottom plan view thereof.
The broken lines in the drawings illustrate unclaimed portions of the computer terminal and form no part of the claimed design.

1 Claim, 3 Drawing Sheets

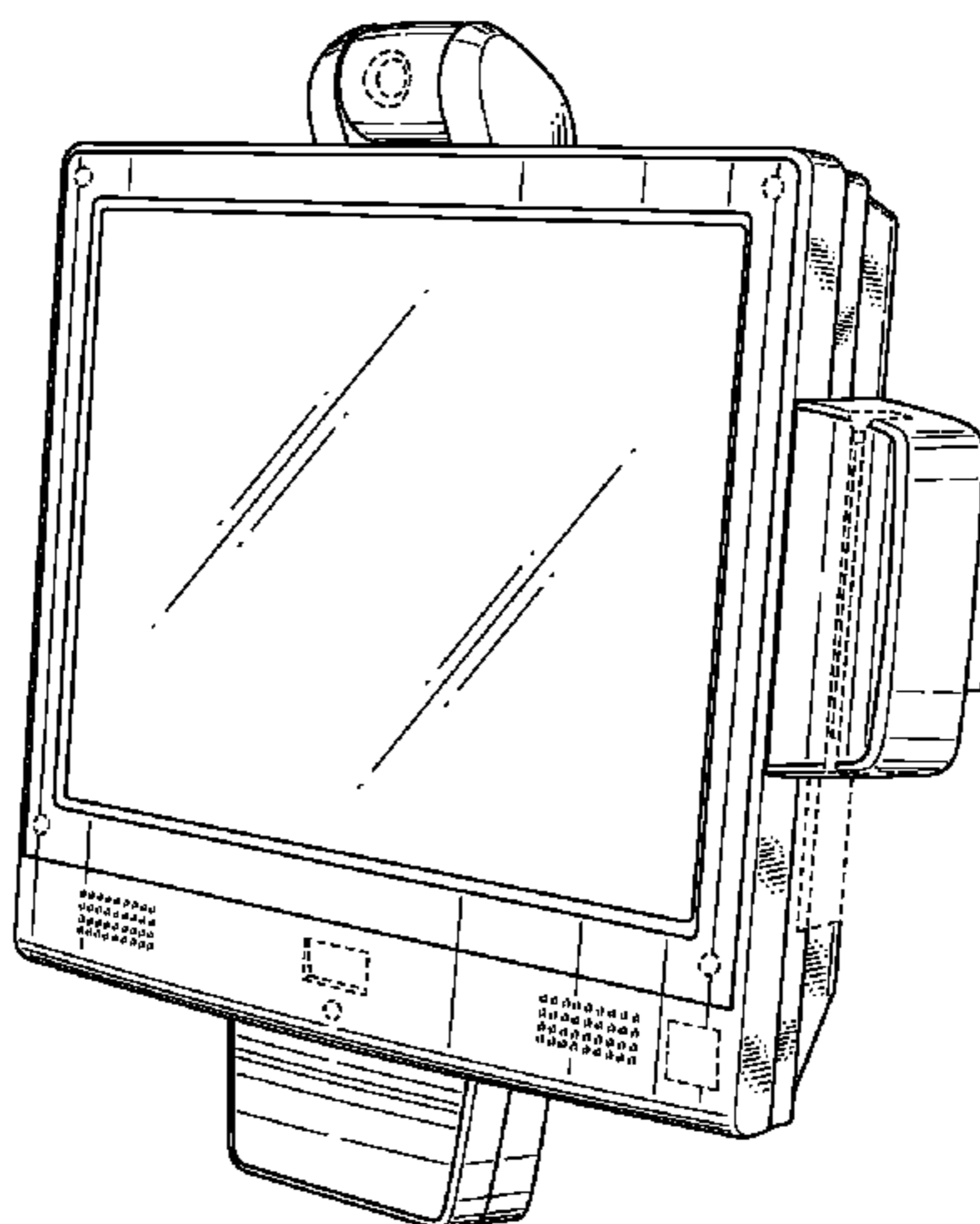


Fig. 1

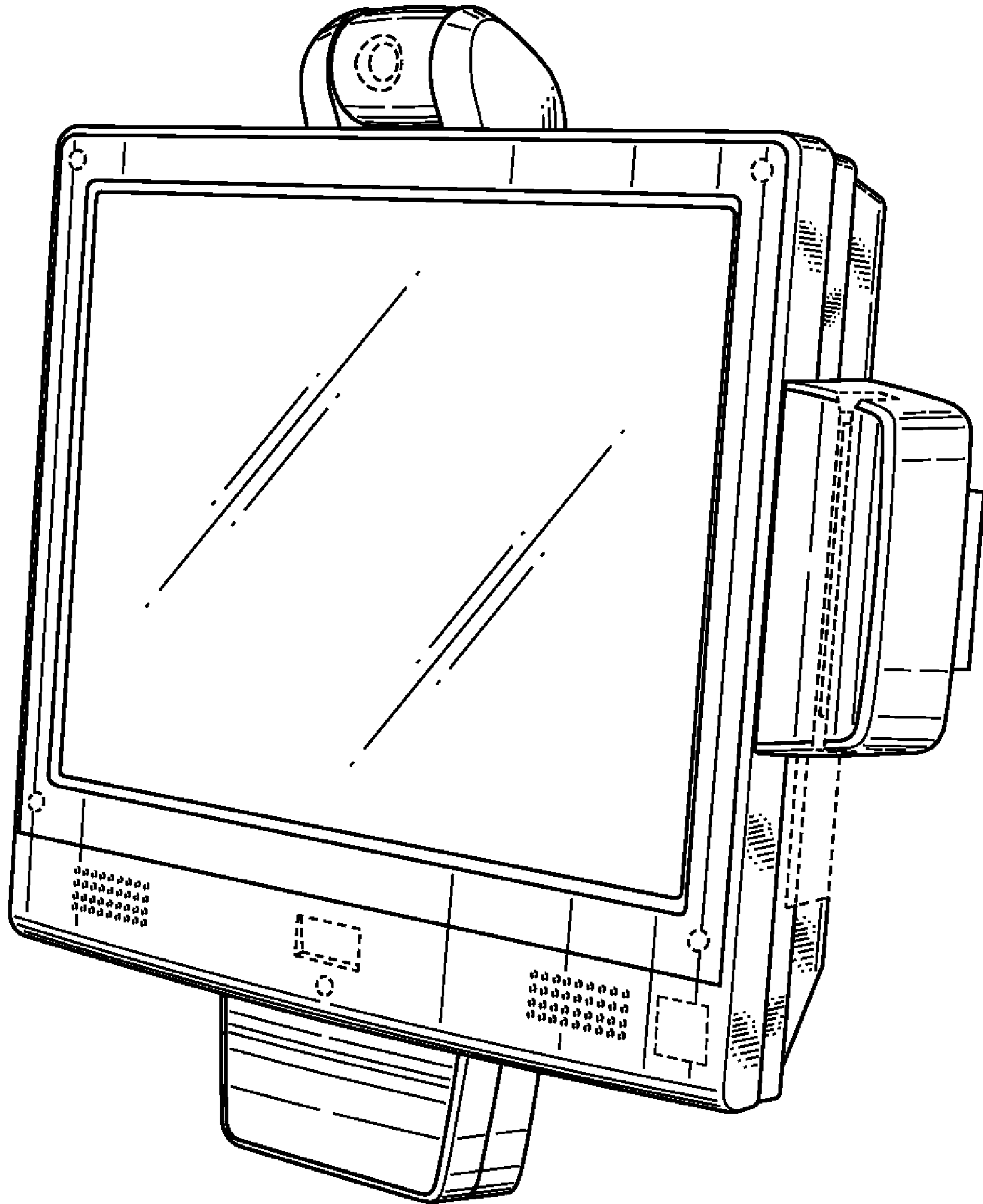


Fig.2

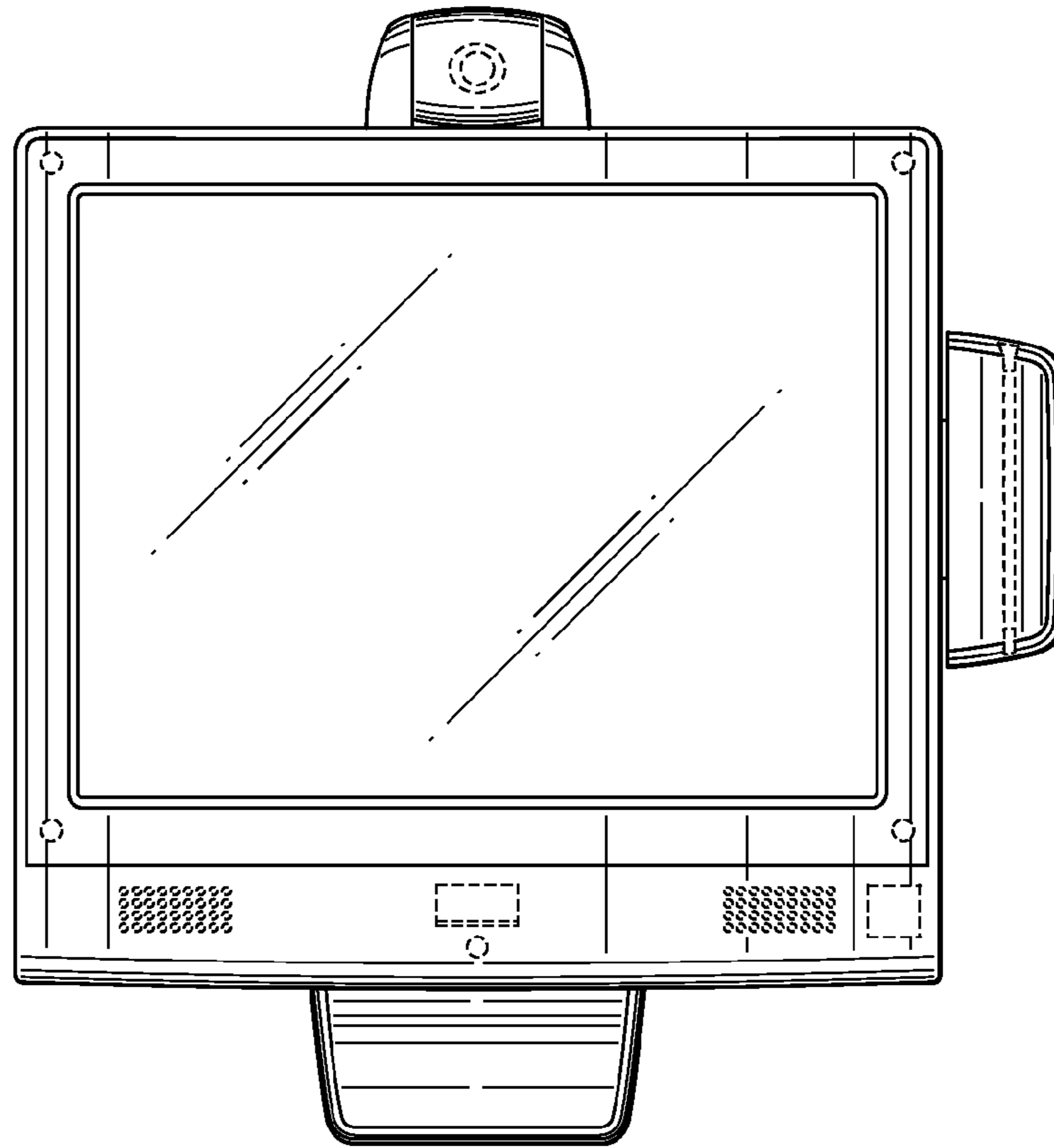


Fig.3

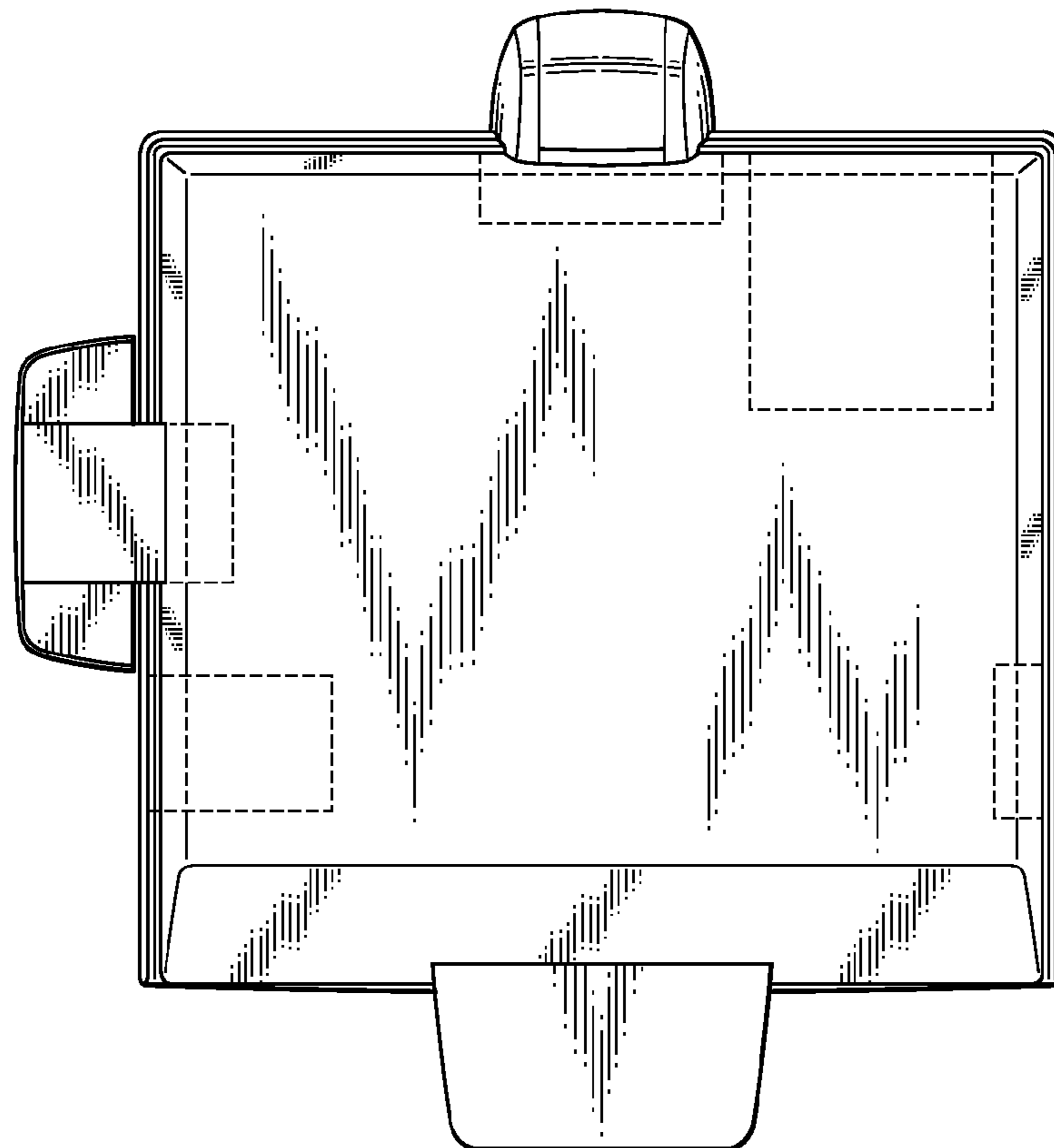


Fig.4

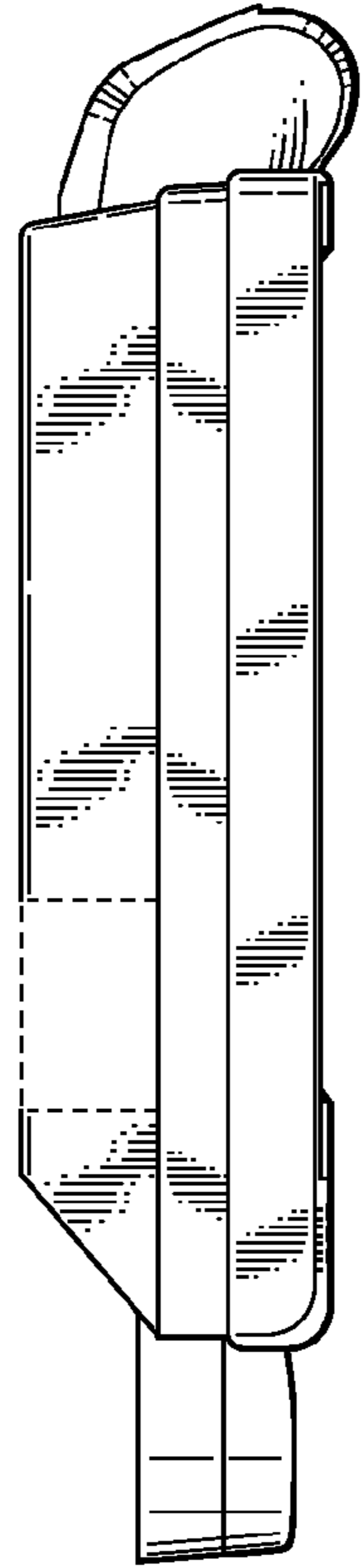


Fig.5

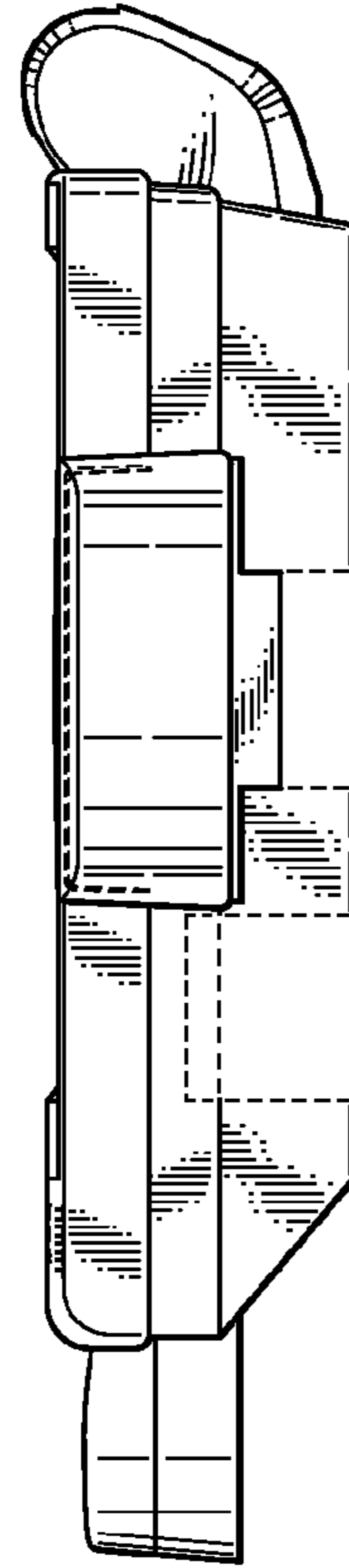


Fig.6

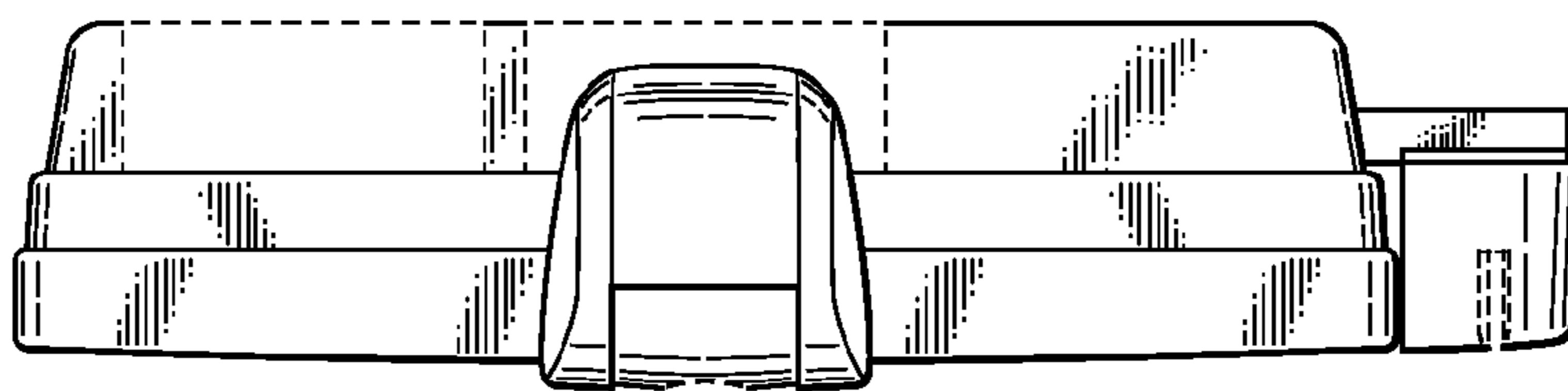


Fig.7

