



US00D639800S

(12) **United States Design Patent**
Magruder

(10) **Patent No.:** **US D639,800 S**
(45) **Date of Patent:** **** Jun. 14, 2011**

(54) **FREE-STANDING KIOSK**
(76) **Inventor:** **David C. Magruder**, Tequesta, FL (US)
(**) **Term:** **14 Years**
(21) **Appl. No.:** **29/360,425**
(22) **Filed:** **Apr. 26, 2010**
(51) **LOC (9) Cl.** **14-02**
(52) **U.S. Cl.** **D14/307; D6/396**
(58) **Field of Classification Search** D14/302–307,
D14/129, 900–902; D13/163; D18/4.1–4.6;
D21/329, 332, 325, 369, 370; D99/28; 361/679.1,
361/679.02, 679.04, 679.21, 679.57, 724;
194/206; 235/379; 271/164; 705/43; D6/396,
D6/697, 402; D20/10, 19; D24/200, 209,
D24/185, 186
See application file for complete search history.

D479,858 S * 9/2003 Strunk et al. D20/41
D501,557 S * 2/2005 Collins et al. D24/186
D518,480 S * 4/2006 Zheng et al. D14/307
D542,052 S * 5/2007 Scholen et al. D6/396
D542,849 S * 5/2007 Hill et al. D20/10
D565,044 S * 3/2008 Witts et al. D14/307
D585,943 S * 2/2009 Pymm et al. D20/10
D587,699 S * 3/2009 Corti et al. D14/307
D587,700 S * 3/2009 Corti et al. D14/307
D598,056 S * 8/2009 Labeledz et al. D21/325
D608,775 S * 1/2010 Leung D14/307
D615,661 S * 5/2010 Brunelle et al. D24/200
D626,353 S * 11/2010 Magruder D6/396

* cited by examiner

Primary Examiner — Cathron C Brooks
Assistant Examiner — Deanna Fluegeman
(74) *Attorney, Agent, or Firm* — McHale & Slavin, P.A.

(57) **CLAIM**
The ornamental design for a free-standing kiosk, as shown and described.

(56) **References Cited**

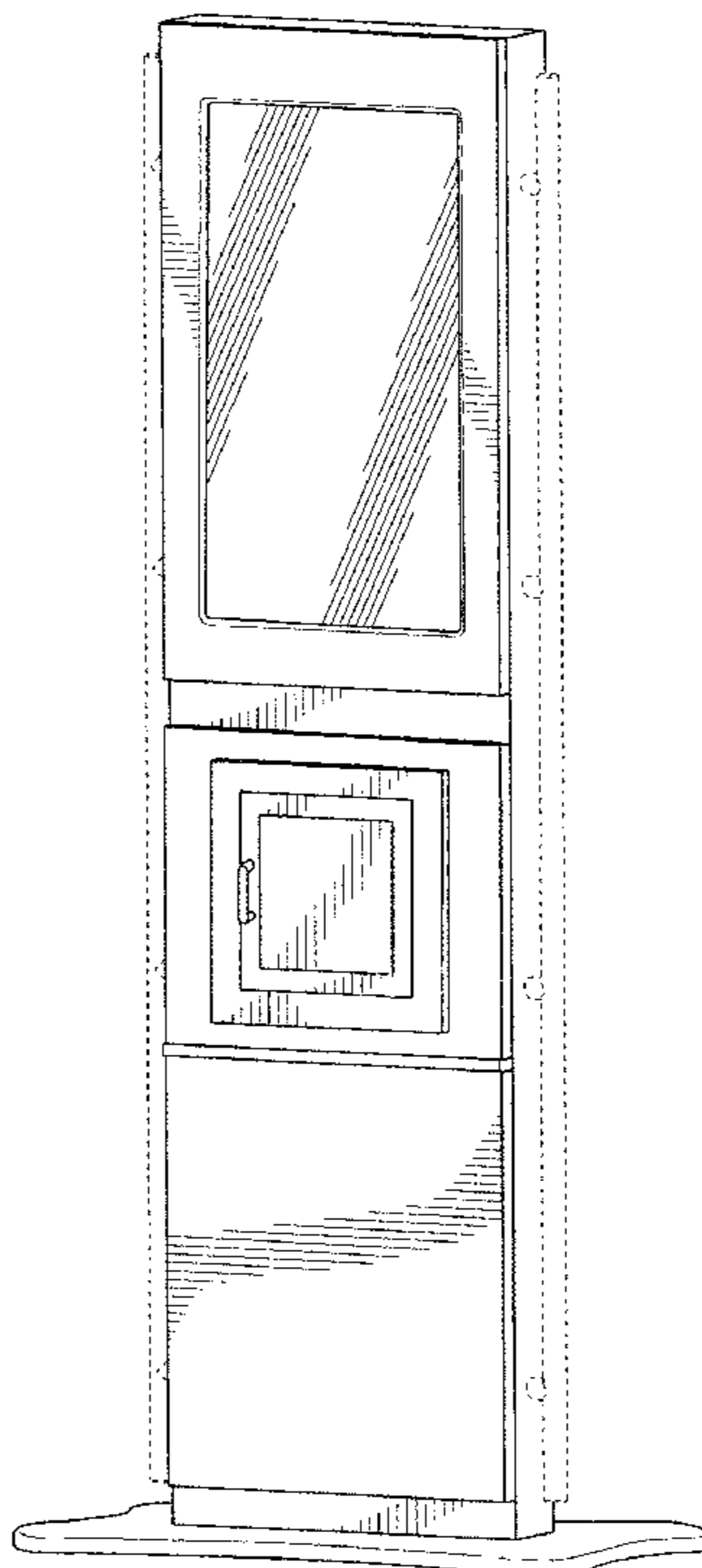
U.S. PATENT DOCUMENTS

D377,784 S * 2/1997 Wilson D14/302
D378,082 S * 2/1997 Wilson D14/302
D378,534 S * 3/1997 Kato et al. D20/10
D395,129 S * 6/1998 Johnson D99/28
D395,677 S * 6/1998 Gongora et al. D20/10
D398,653 S * 9/1998 Hiraguchi et al. D20/10
D415,330 S * 10/1999 King D99/28
D436,999 S * 1/2001 Cronley D20/10
D452,712 S * 1/2002 Kim D20/10
D453,754 S * 2/2002 Petersen D14/307
D473,554 S * 4/2003 Landerholm et al. D14/302

DESCRIPTION

FIG. 1 is a front right perspective view of the free-standing kiosk of the instant invention;
FIG. 2 is a front view thereof;
FIG. 3 is a rear view thereof;
FIG. 4 is a right side view thereof, the left side view being a mirror image thereof; and,
FIG. 5 is a top view thereof.
The broken lines illustrate unclaimed portions of the free-standing kiosk and form no part of the claimed design.

1 Claim, 5 Drawing Sheets



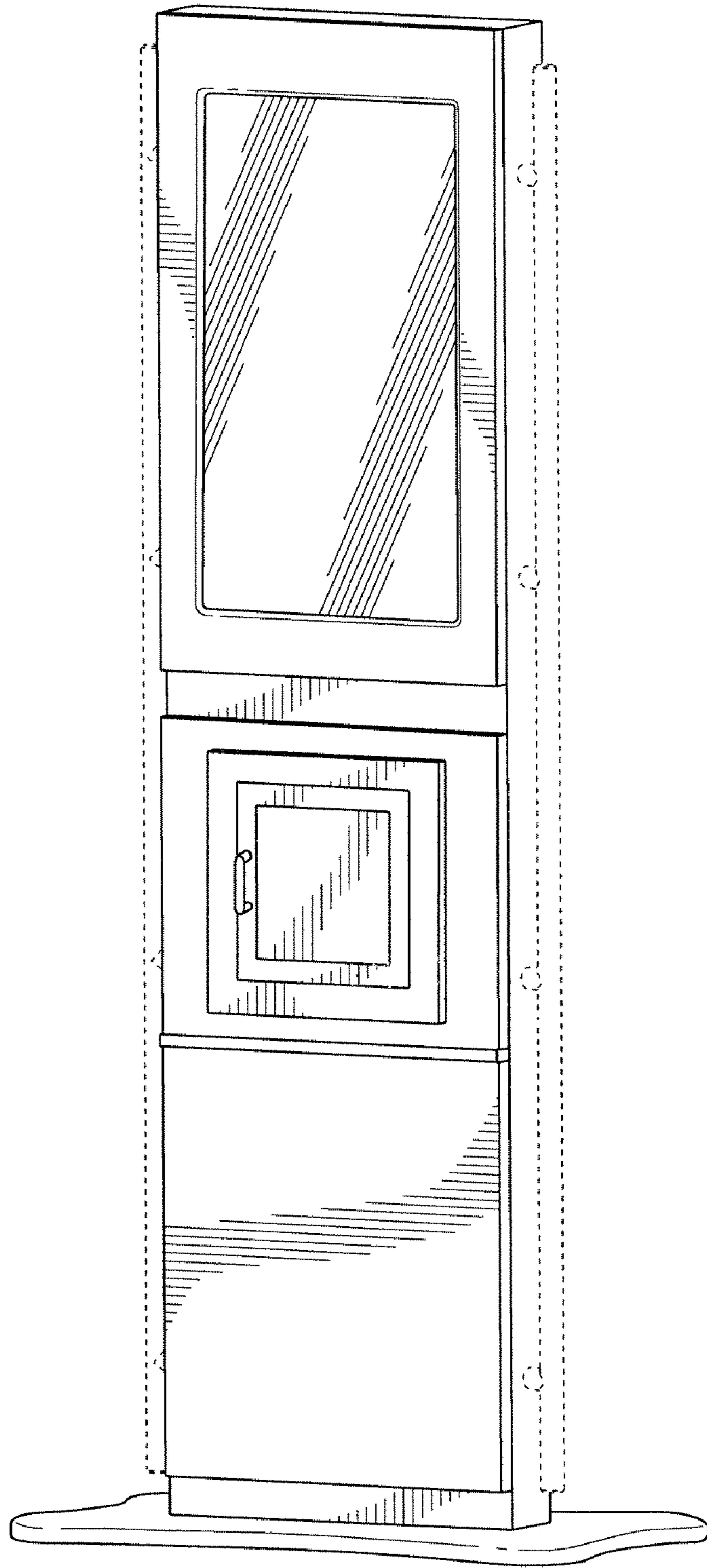


FIG. 1

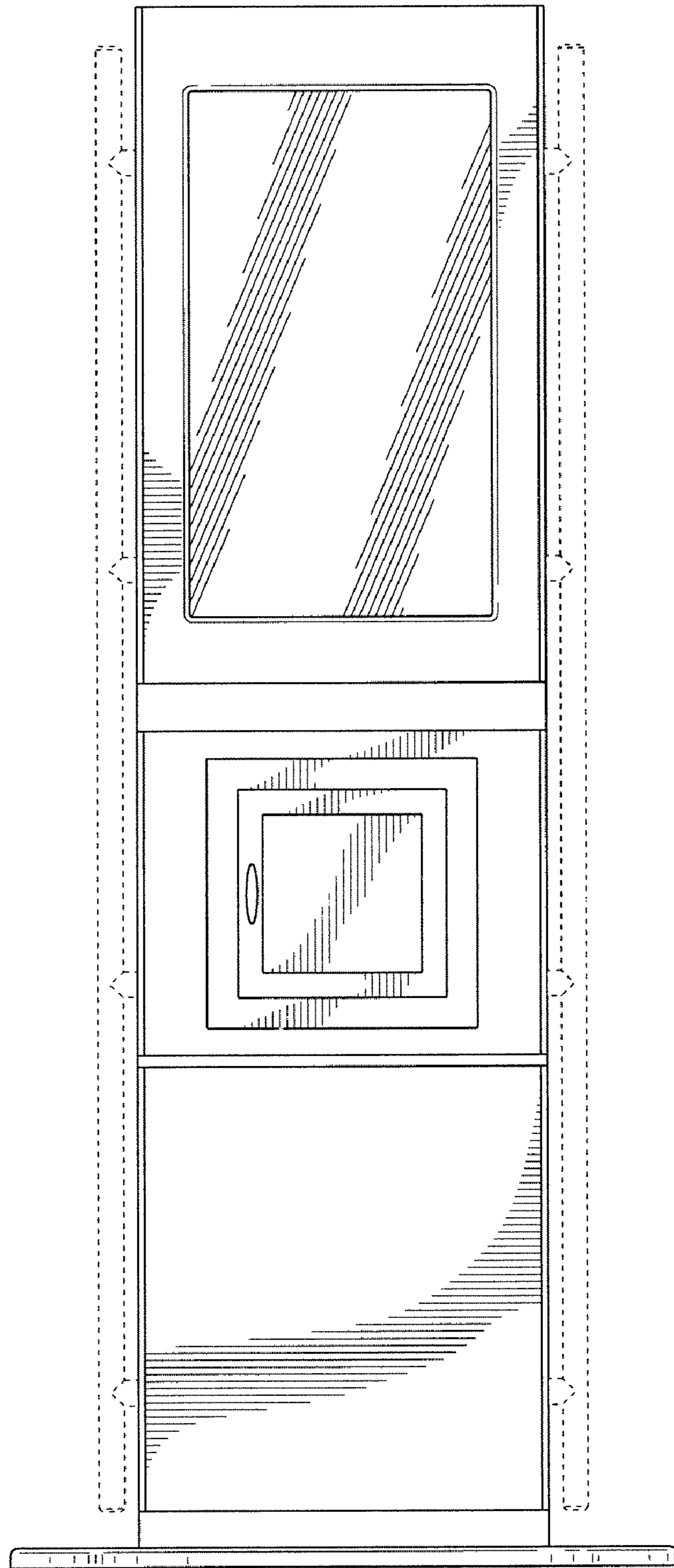


FIG. 2

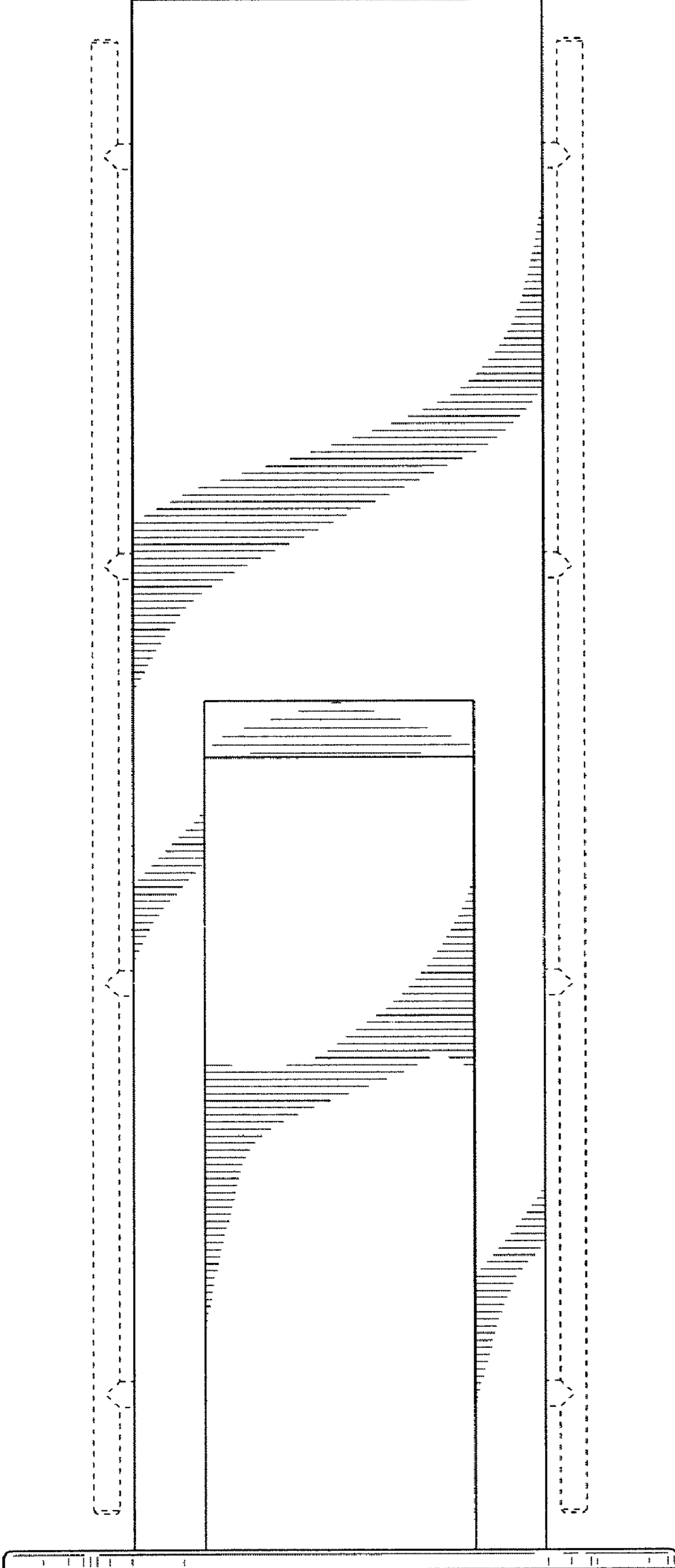


FIG. 3

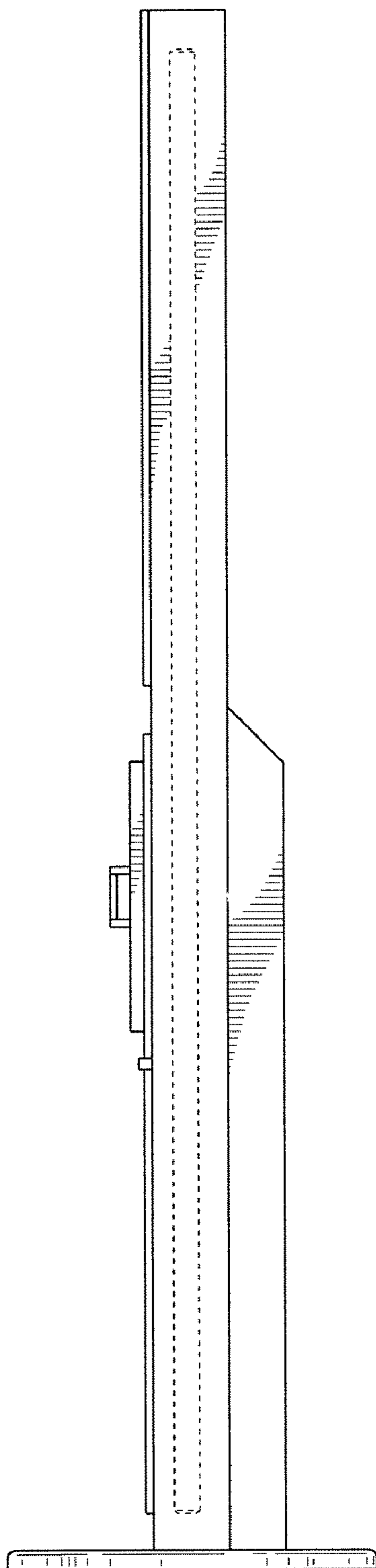


FIG. 4

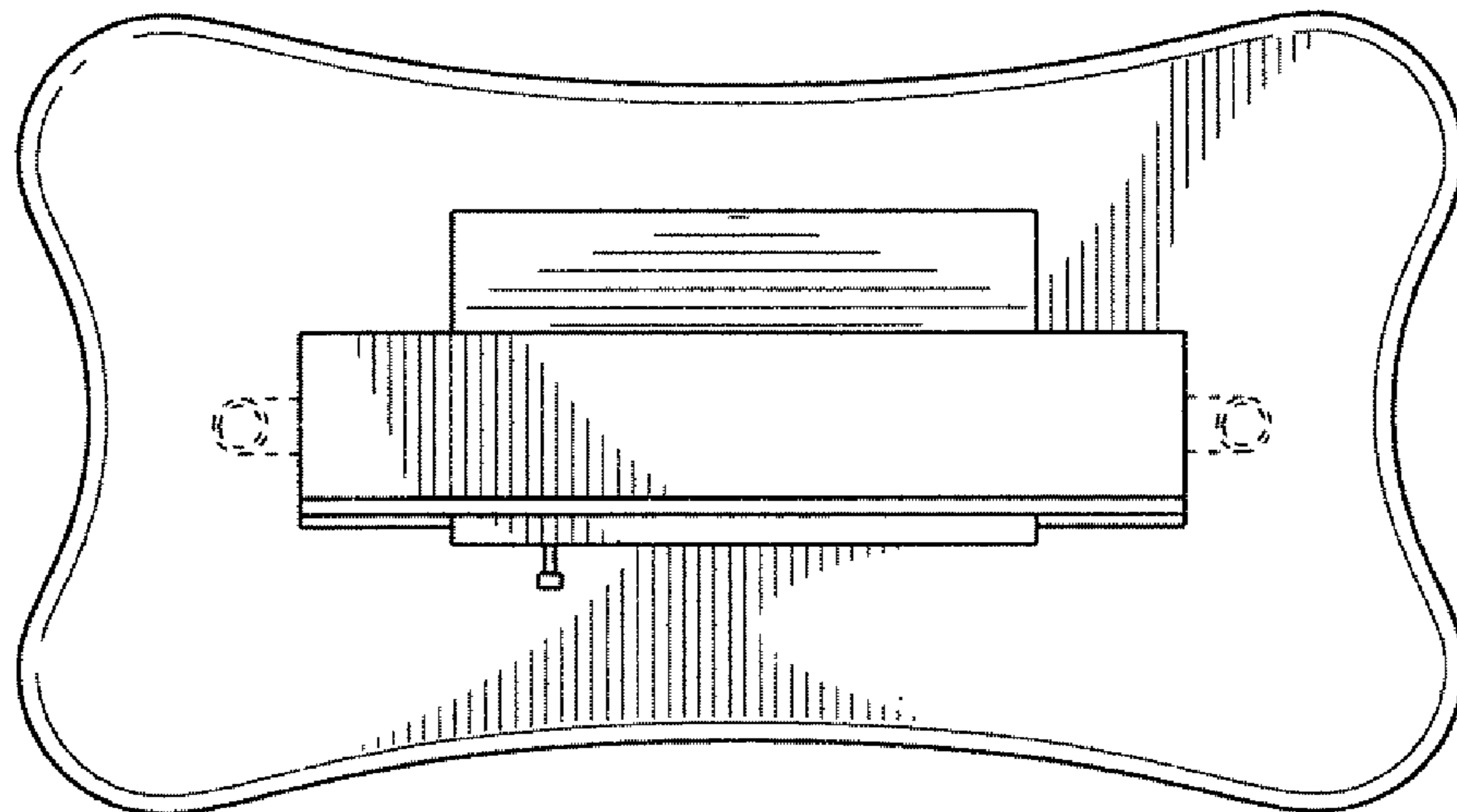


FIG. 5