



US00D639798S

(12) **United States Design Patent**
Fiore, IV et al.

(10) **Patent No.:** **US D639,798 S**
(45) **Date of Patent:** **** Jun. 14, 2011**

(54) **DIN/ISO DIN HEAD UNIT PROVISION MOUNTING DEVICE WITH POCKET, SCREEN AND CLIMATE CONTROL BUTTONS**

(75) Inventors: **Anthony Fiore, IV**, Palm Coast, FL (US); **Edward Robertson**, Port Orange, FL (US)

(73) Assignee: **Metra Electronics Corporation**, Holly Hill, FL (US)

(**) Term: **14 Years**

(21) Appl. No.: **29/365,109**

(22) Filed: **Jul. 2, 2010**

(51) **LOC (9) Cl.** **14-03**

(52) **U.S. Cl.** **D14/258**

(58) **Field of Classification Search** D14/157, D14/217, 224, 257-258; 360/4; 369/75.11; 720/658, 691; 455/344, 575.1; 248/27.1, 248/27.3, 558

See application file for complete search history.

(56) **References Cited**

U.S. PATENT DOCUMENTS

5,106,039	A	4/1992	Gross
5,467,947	A	11/1995	Quilling, II
D401,591	S	11/1998	Jones, Jr. et al.
D418,838	S	1/2000	Jones, Jr. et al.
D481,378	S	10/2003	Quilling, II et al.
D481,707	S	11/2003	Quilling, II et al.
D481,708	S	11/2003	Quilling, II et al.
D482,023	S	11/2003	Quilling, II et al.
D482,024	S	11/2003	Quilling, II et al.
6,651,936	B2	11/2003	Upson et al.
D483,027	S	12/2003	Quilling, II et al.
D484,495	S	12/2003	Quilling, II et al.
D485,260	S	1/2004	Quilling, II et al.
D488,462	S	4/2004	Quilling, II et al.
D492,287	S	6/2004	Quilling, II
D492,288	S	6/2004	Quilling, II

D492,668	S	7/2004	Quilling, II
D496,028	S	9/2004	Quilling, II
D496,354	S	9/2004	Quilling, II
D501,852	S	2/2005	Quilling, II
D503,400	S	3/2005	Quilling, II
D503,401	S	3/2005	Quilling, II
D504,423	S	4/2005	Quilling, II
D505,672	S	5/2005	Quilling
D507,791	S	7/2005	Quilling, II
D508,486	S	8/2005	Quilling, II
D513,508	S	1/2006	Quilling, II
D517,061	S	3/2006	Quilling, II

(Continued)

OTHER PUBLICATIONS

Metra The Installer's Choice, Autosound Installation Products (metraonline.com), pp. 1-143 (2008).

Primary Examiner — Nanda Bondade

(74) *Attorney, Agent, or Firm* — Fitzpatrick, Cella, Harper & Scinto

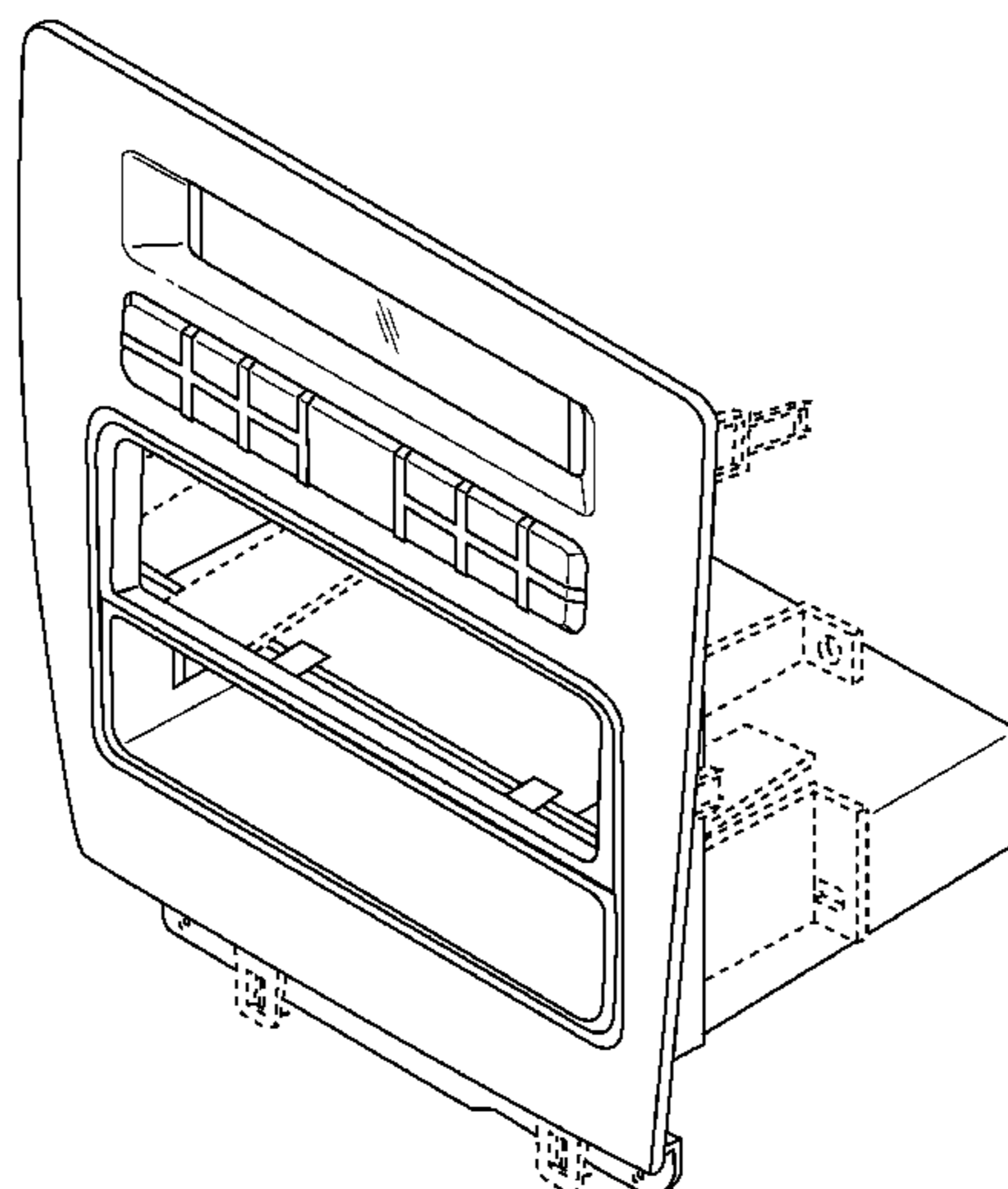
(57) **CLAIM**

We claim the ornamental design for a DIN/ISO DIN head unit provision mounting device with pocket, screen and climate control buttons, as shown and described.

DESCRIPTION

FIG. 1 is a right front perspective view of a DIN/ISO DIN head unit provision mounting device with pocket, screen and climate control buttons showing our design; FIG. 2 is a front elevational view of FIG. 1; FIG. 3 is a rear elevational view of FIG. 1; FIG. 4 is a left side elevation view of FIG. 1; FIG. 5 is a right side elevation view of FIG. 1; FIG. 6 is a top plan view of FIG. 1; and, FIG. 7 is a bottom plan view of FIG. 1. The broken line showing on the drawing disclosure is for illustrative purposes only and forms no part of the claimed design.

1 Claim, 6 Drawing Sheets



US D639,798 S

Page 2

U.S. PATENT DOCUMENTS

D519,995 S	5/2006	Quilling, II	
D531,879 S	11/2006	Quilling, II	
7,177,730 B2	2/2007	Daly et al.	
D540,785 S	4/2007	Quilling, II	
7,201,356 B2 *	4/2007	Huang	248/27.3
D545,661 S	7/2007	Quilling, II	
D545,815 S	7/2007	Quilling, II	
D555,645 S	11/2007	Quilling, II	
D555,646 S	11/2007	Quilling, II	
D555,647 S	11/2007	Quilling, II	
D566,701 S	4/2008	Quilling, II	
7,430,110 B2	9/2008	Quilling, II	
D581,408 S	11/2008	Fiore, IV	
D582,908 S	12/2008	Quilling	
D582,912 S	12/2008	Quilling, II	
D583,809 S	12/2008	Fiore	
D584,725 S	1/2009	Fiore, IV	
D602,013 S	10/2009	Quilling, II	
D602,483 S	10/2009	Fiore, IV	
D602,929 S	10/2009	Quilling, II	
D602,930 S	10/2009	Quilling, II	
D603,390 S	11/2009	Quilling, II	
D604,286 S	11/2009	Fiore, IV	
D610,580 S	2/2010	Fiore, IV	
D611,939 S	3/2010	Quilling, II	

* cited by examiner

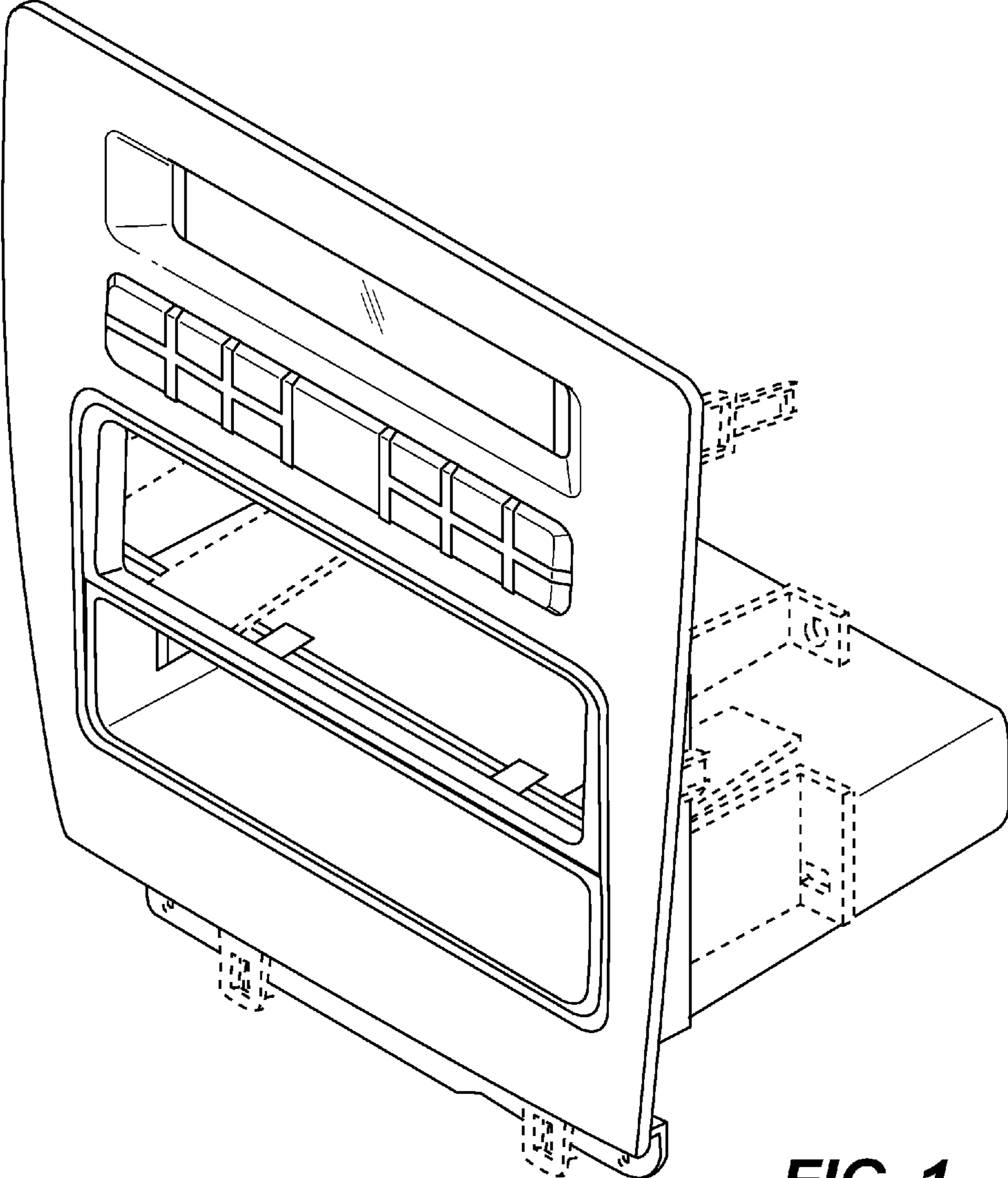


FIG. 1

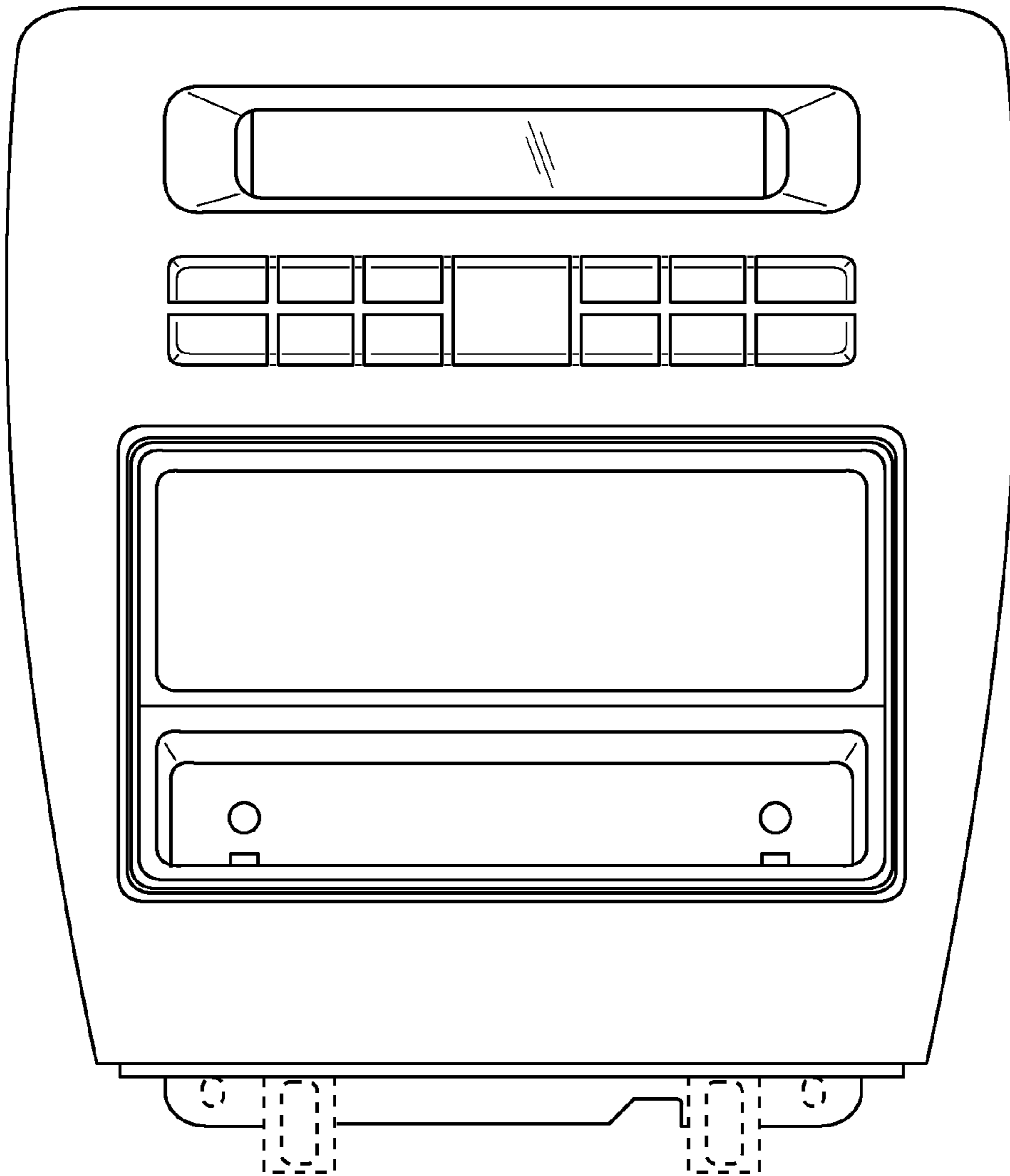


FIG. 2

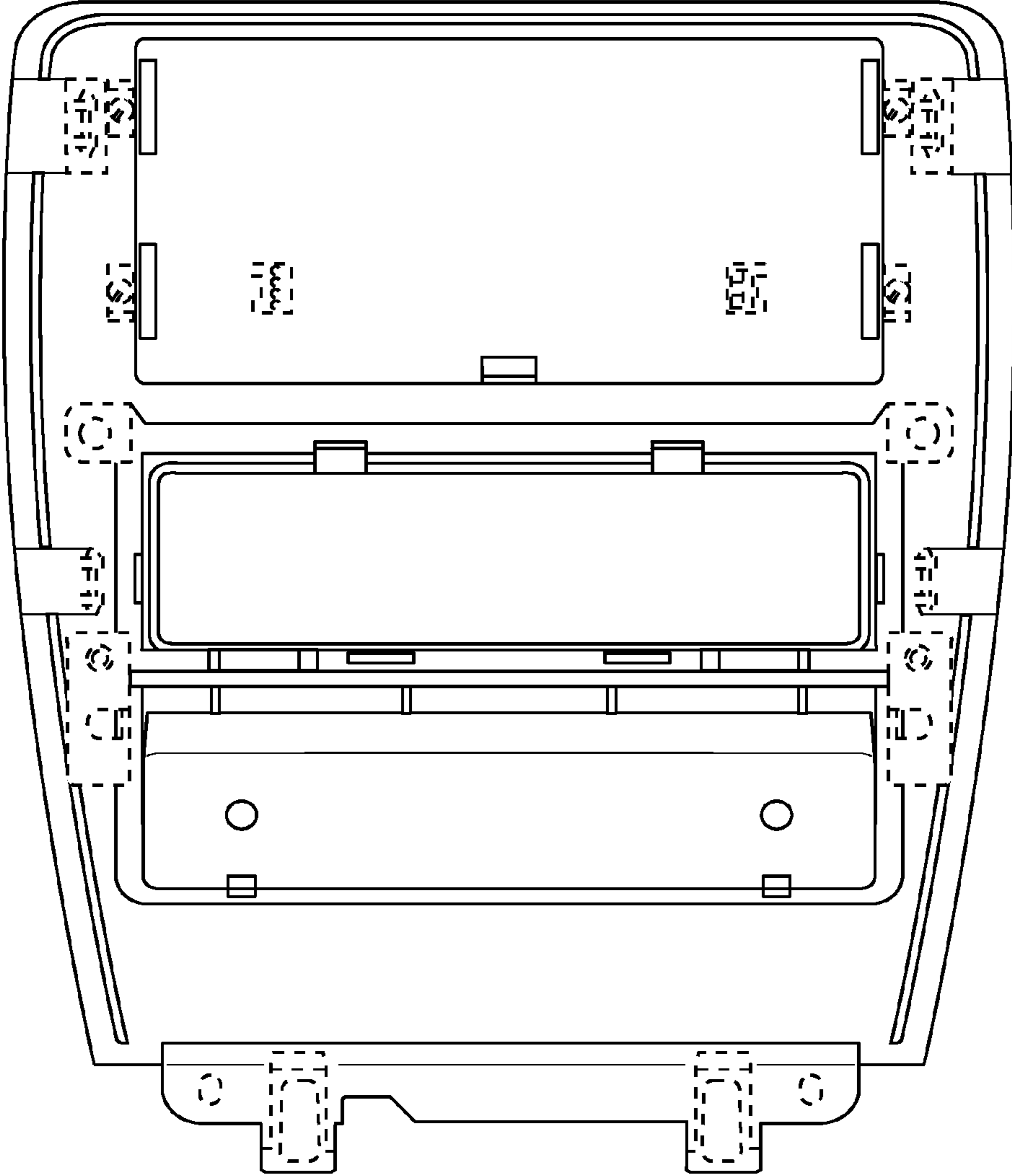


FIG. 3

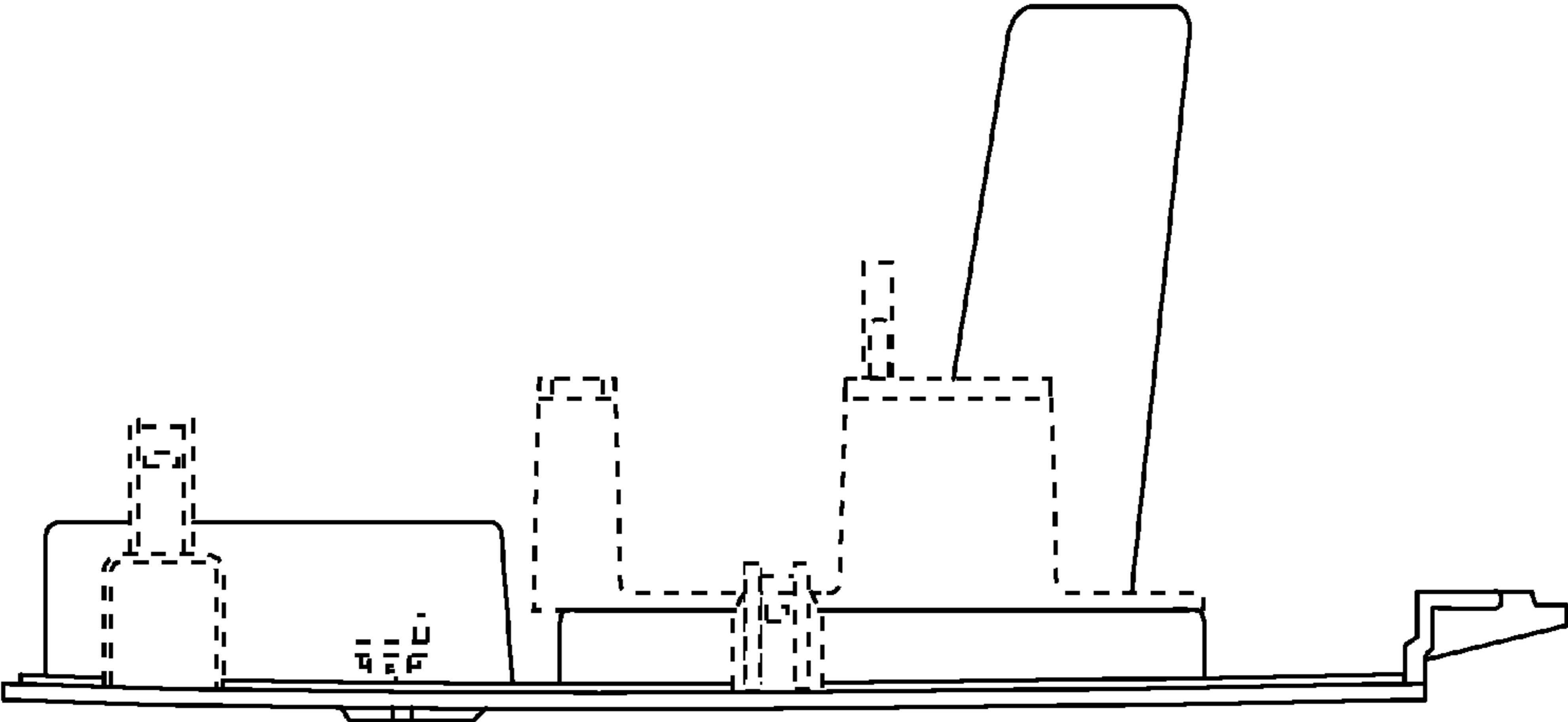


FIG. 5

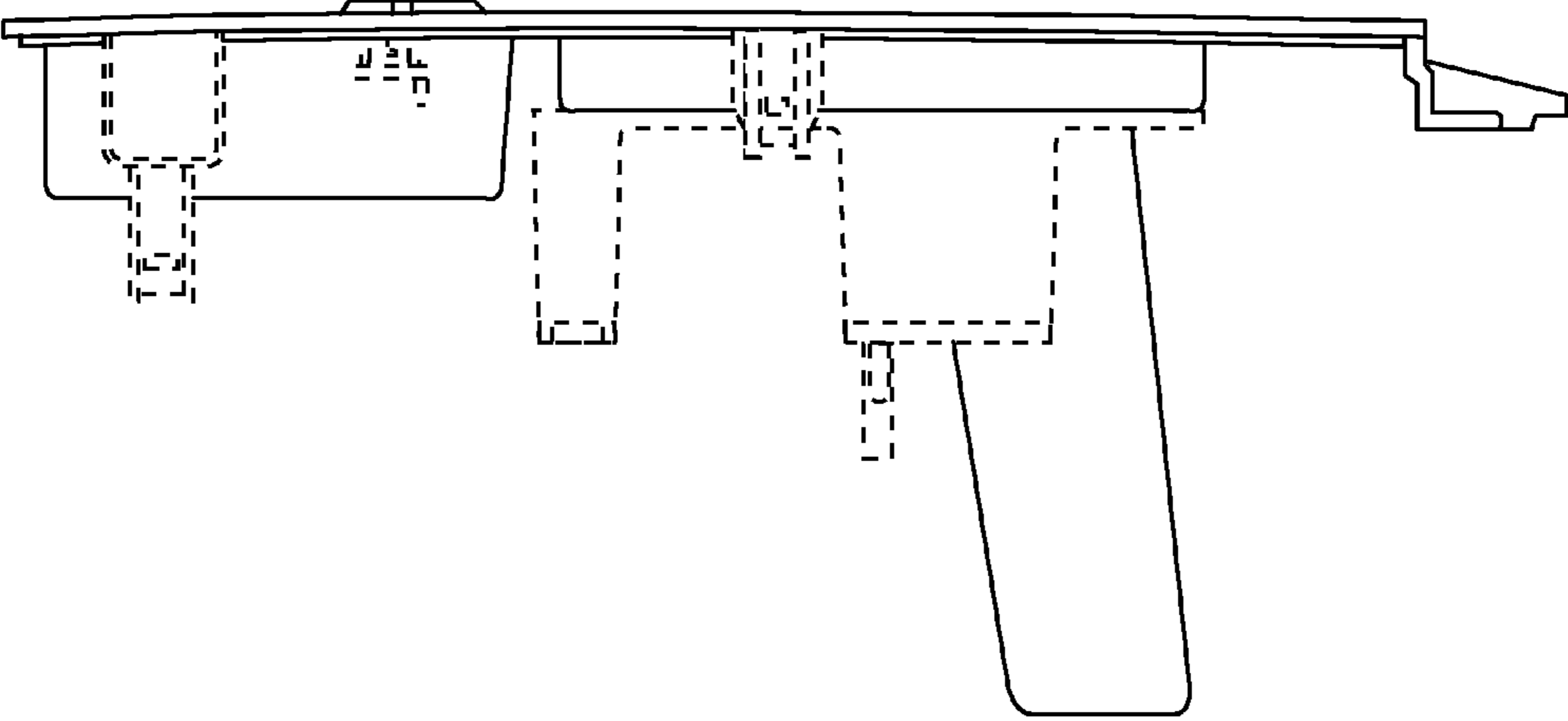


FIG. 4

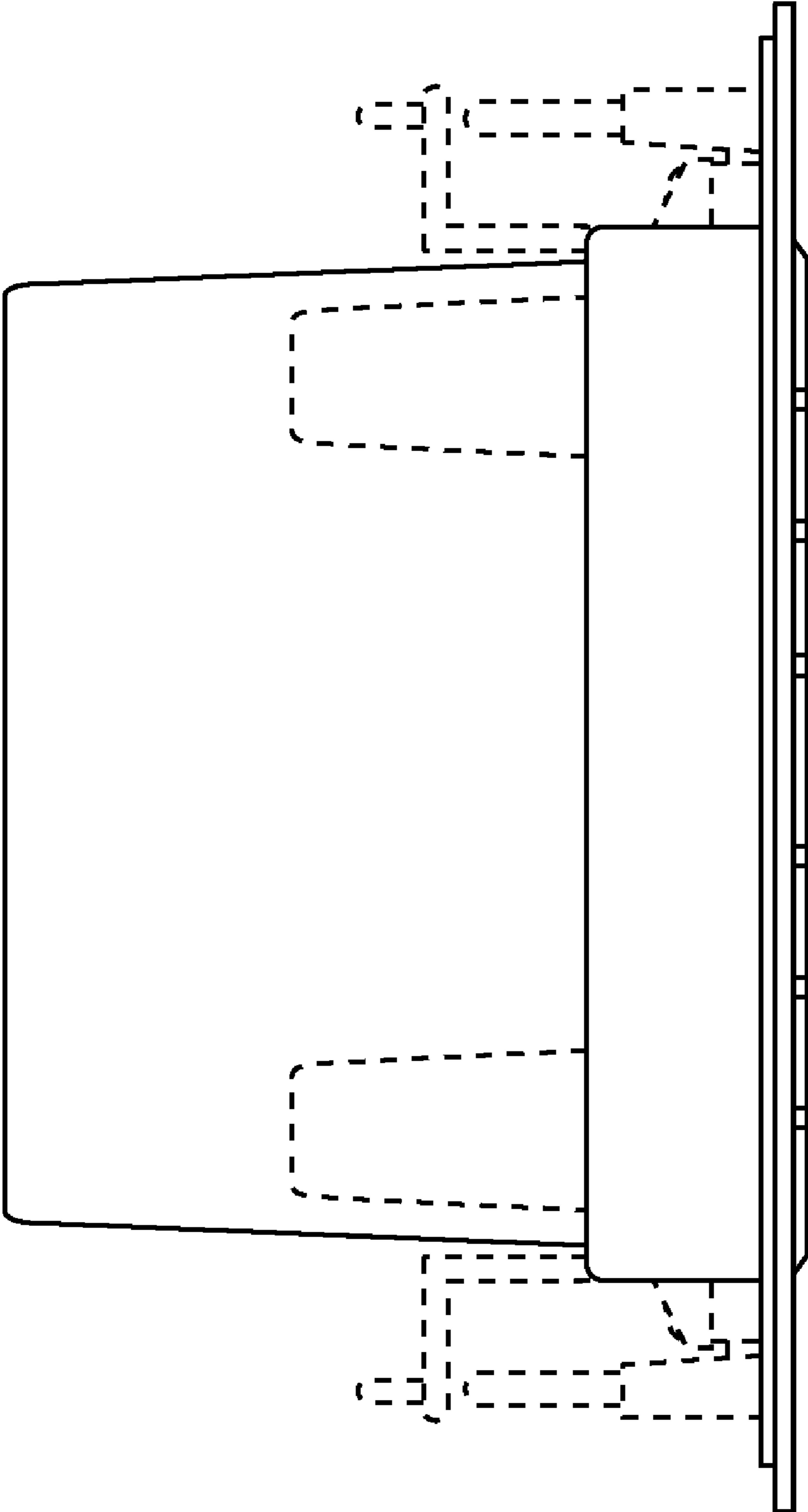


FIG. 6

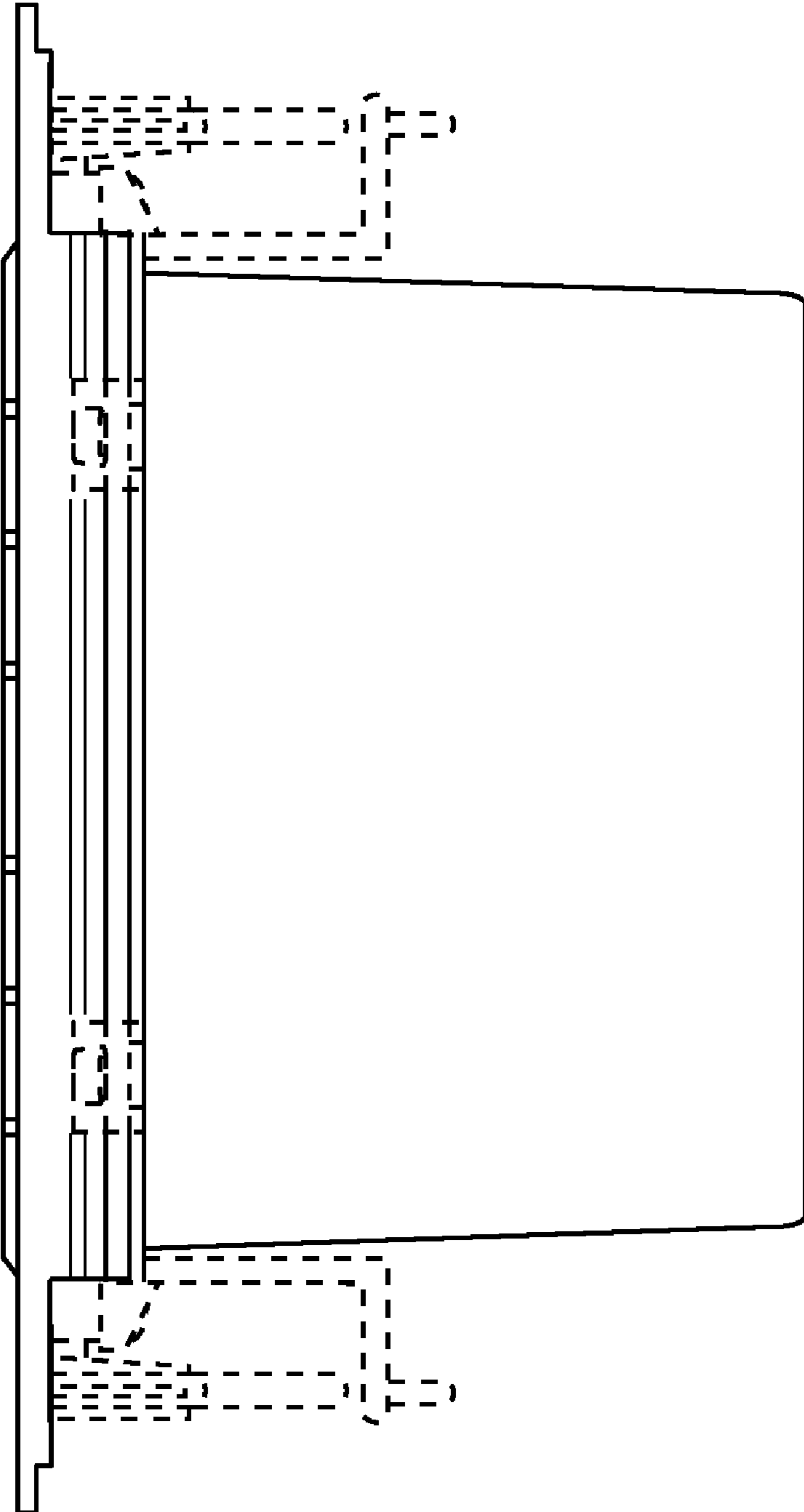


FIG. 7