



US00D639795S

(12) **United States Design Patent**
Quilling, II et al.

(10) **Patent No.:** **US D639,795 S**
(45) **Date of Patent:** **** Jun. 14, 2011**

- (54) **DIN/ISO AUTO STEREO PROVISION UNIT MOUNTING DEVICE WITH POCKET**
- (75) Inventors: **R. Spencer Quilling, II**, Deland, FL (US); **Edward Robertson**, Port Orange, FL (US)
- (73) Assignee: **Metra Electronics Corporation**, Holly Hill, FL (US)
- (**) Term: **14 Years**

- D496,354 S 9/2004 Quilling, II
- D501,852 S 2/2005 Quilling, II
- D503,400 S 3/2005 Quilling, II
- D503,401 S 3/2005 Quilling, II
- D504,423 S 4/2005 Quilling, II
- D505,672 S 5/2005 Quilling
- D507,791 S 7/2005 Quilling, II
- D508,486 S 8/2005 Quilling, II
- D513,508 S 1/2006 Quilling, II
- D517,061 S 3/2006 Quilling, II
- D519,995 S 5/2006 Quilling, II
- D531,879 S 11/2006 Quilling, II

(Continued)

(21) Appl. No.: **29/365,091**

(22) Filed: **Jul. 2, 2010**

(51) **LOC (9) Cl.** **14-03**

(52) **U.S. Cl.** **D14/258**

(58) **Field of Classification Search** D14/157, D14/217, 224, 257-258; 360/4; 369/75.11; 720/658, 691; 455/344, 575.1; 248/27.1, 248/27.3, 558

See application file for complete search history.

(56) **References Cited**

U.S. PATENT DOCUMENTS

- 5,106,039 A 4/1992 Gross
- 5,467,947 A 11/1995 Quilling, II
- D401,591 S 11/1998 Jones, Jr. et al.
- D418,838 S 1/2000 Jones, Jr. et al.
- D481,378 S 10/2003 Quilling, II et al.
- D481,707 S 11/2003 Quilling, II et al.
- D481,708 S 11/2003 Quilling, II et al.
- D482,023 S 11/2003 Quilling, II et al.
- D482,024 S 11/2003 Quilling, II et al.
- 6,651,936 B2 11/2003 Upson et al.
- D483,027 S 12/2003 Quilling, II et al.
- D484,495 S 12/2003 Quilling, II et al.
- D485,260 S 1/2004 Quilling, II et al.
- D488,462 S 4/2004 Quilling, II et al.
- D492,287 S 6/2004 Quilling, II
- D492,288 S 6/2004 Quilling, II
- D492,668 S 7/2004 Quilling, II
- D496,028 S 9/2004 Quilling, II

OTHER PUBLICATIONS

Metra The Installer's Choice, Autosound Installation Products (metraonline.com), pp. 1-143 (2008).

Primary Examiner — Nanda Bondade

(74) *Attorney, Agent, or Firm* — Fitzpatrick, Cella, Harper & Scinto

(57) **CLAIM**

We claim the ornamental design for a DIN/ISO auto stereo provision unit mounting device with pocket, as shown and described.

DESCRIPTION

FIG. 1 is a right front perspective view of a DIN/ISO auto stereo provision unit mounting device with pocket showing our design;

FIG. 2 is a front elevational view of FIG. 1;

FIG. 3 is a rear elevational view of FIG. 1;

FIG. 4 is a top plan view of FIG. 1;

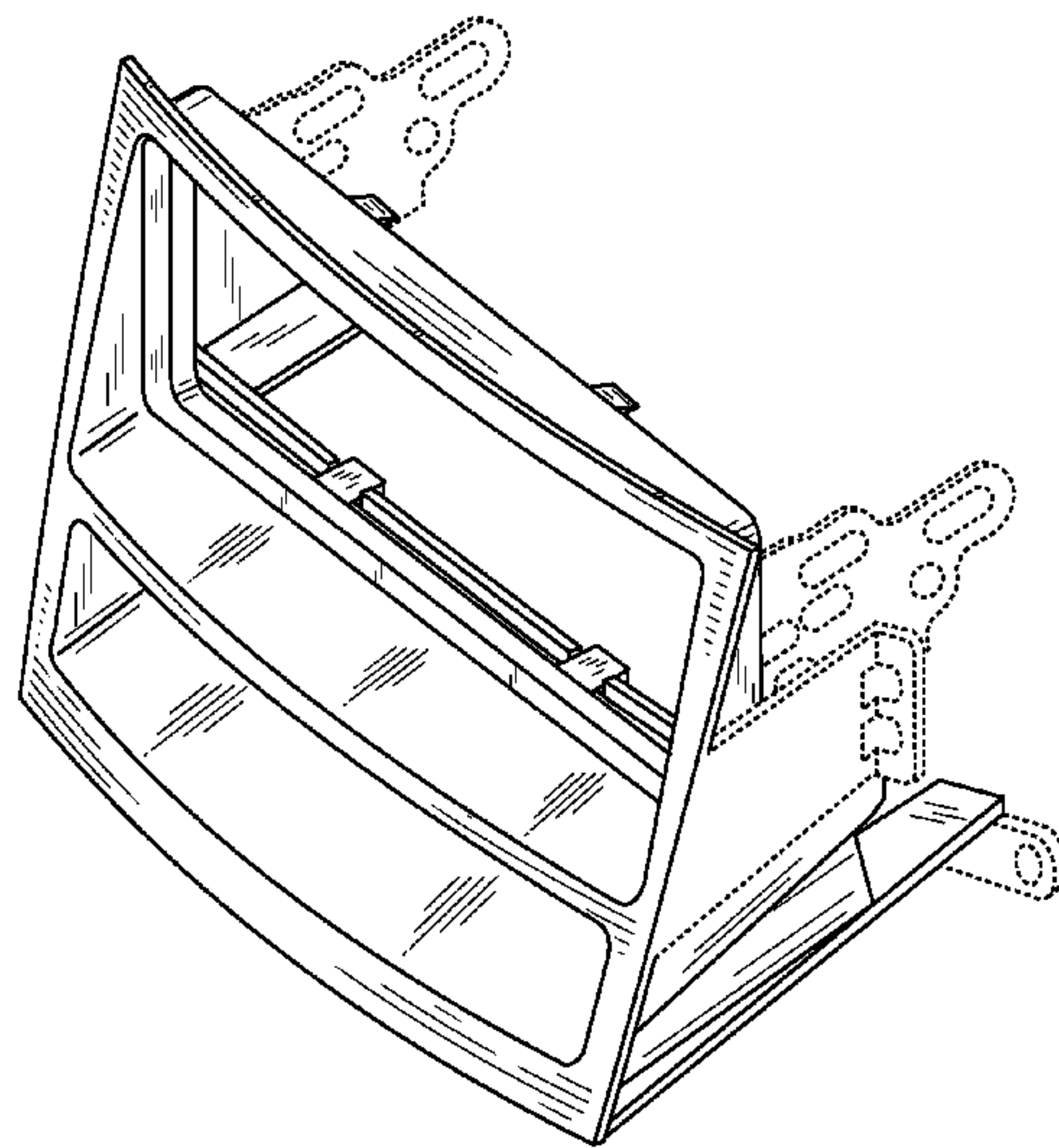
FIG. 5 is a bottom plan view of FIG. 1;

FIG. 6 is a right side elevation view of FIG. 1; and,

FIG. 7 is a left side elevation view of FIG. 1.

The broken line showing on the drawing disclosure is for illustrative purposes only and forms no part of the claimed design.

1 Claim, 6 Drawing Sheets



US D639,795 S

Page 2

U.S. PATENT DOCUMENTS

7,177,730 B2	2/2007	Daly et al.	D582,912 S	12/2008	Quilling, II
D540,785 S	4/2007	Quilling, II	D583,809 S	12/2008	Fiore
7,201,356 B2 *	4/2007	Huang 248/27.3	D584,725 S	1/2009	Fiore, IV
D545,661 S	7/2007	Quilling, II	D602,013 S	10/2009	Quilling, II
D545,815 S	7/2007	Quilling, II	D602,483 S	10/2009	Fiore, IV
D555,645 S	11/2007	Quilling, II	D602,929 S	10/2009	Quilling, II
D555,646 S	11/2007	Quilling, II	D602,930 S	10/2009	Quilling, II
D555,647 S	11/2007	Quilling, II	D603,390 S	11/2009	Quilling, II
D566,701 S	4/2008	Quilling, II	D604,286 S	11/2009	Fiore, IV
7,430,110 B2	9/2008	Quilling, II	D610,580 S	2/2010	Fiore, IV
D581,408 S	11/2008	Fiore, IV	D611,939 S	3/2010	Quilling, II
D582,908 S	12/2008	Quilling			

* cited by examiner

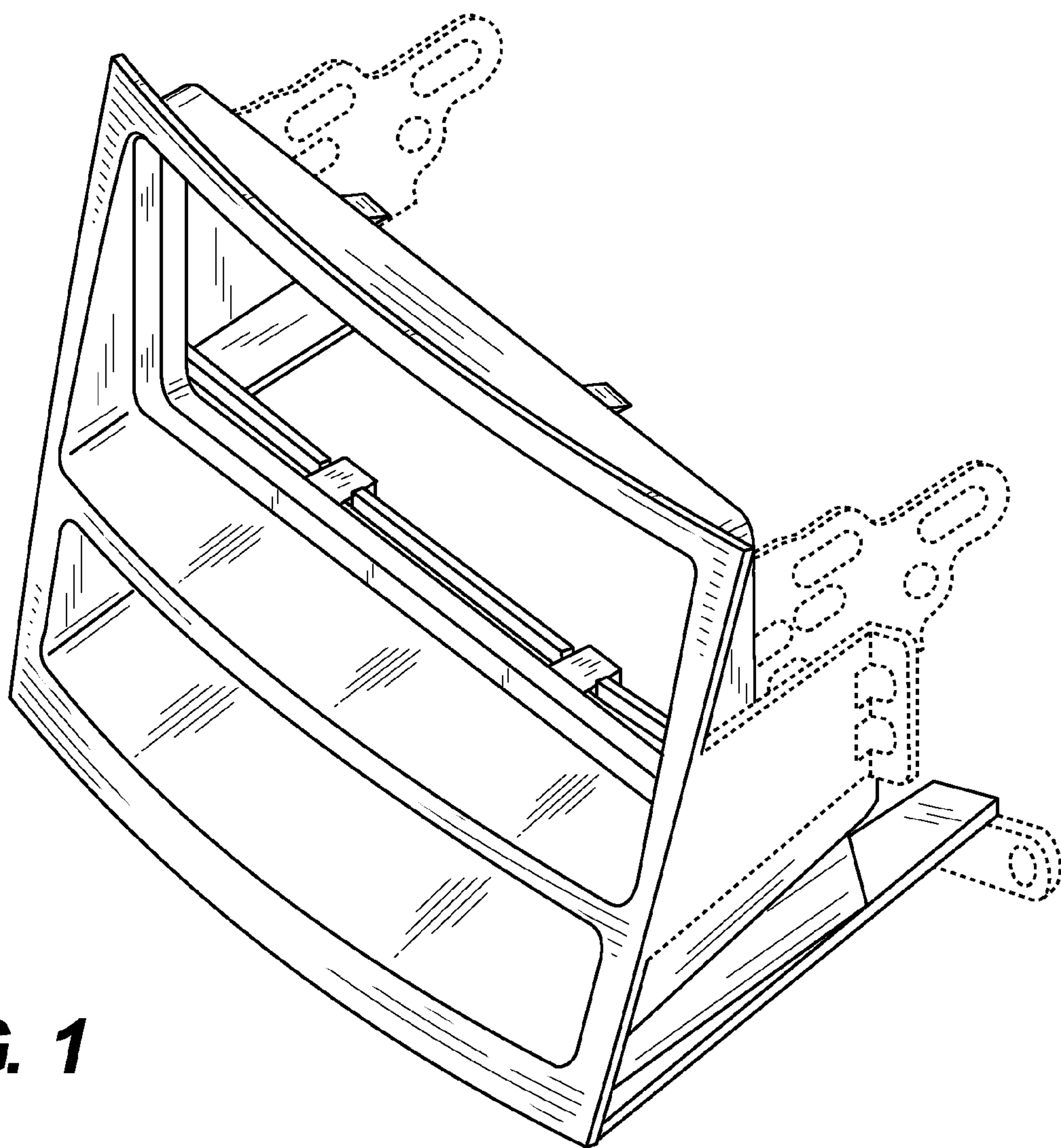


FIG. 1

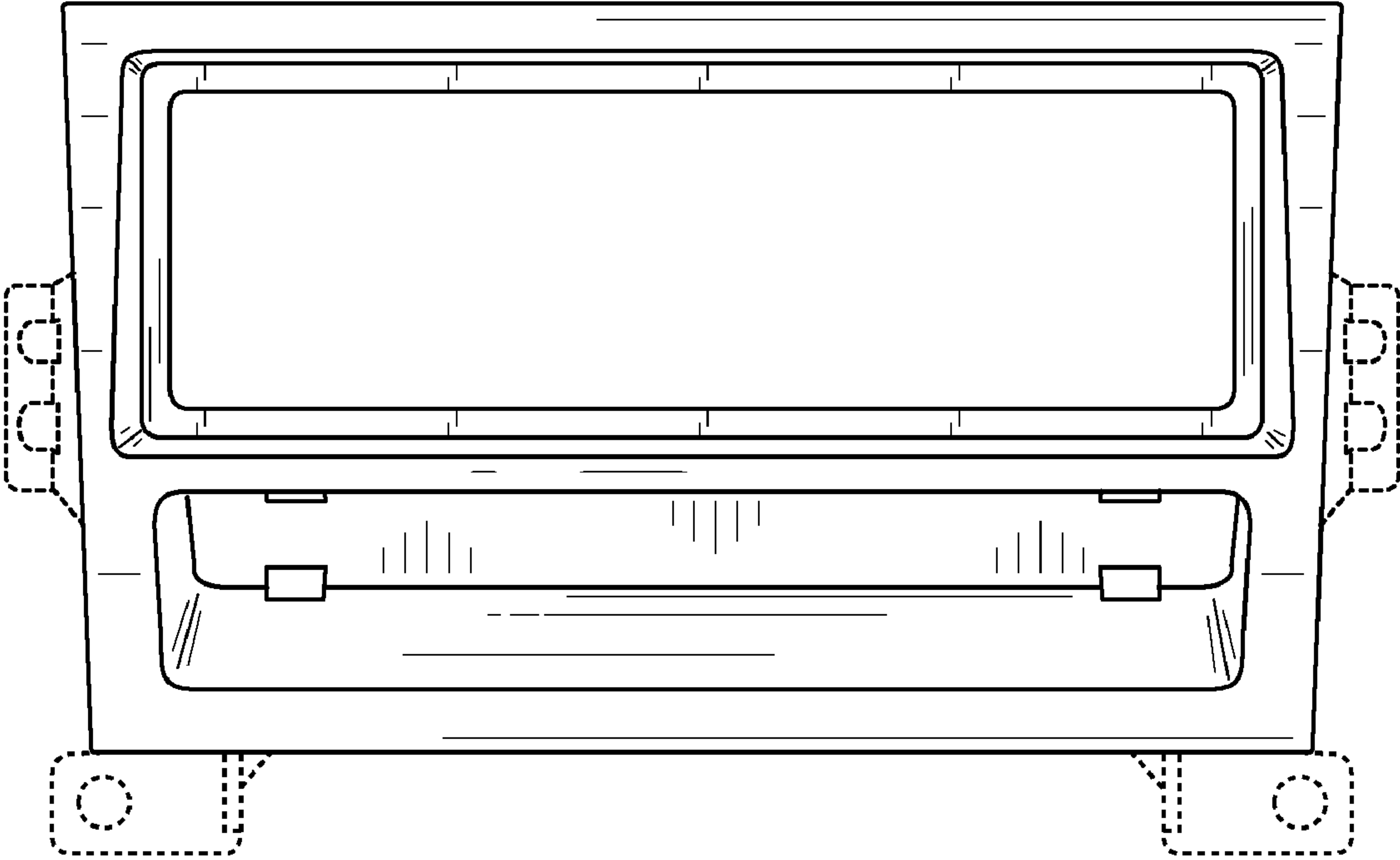


FIG. 2

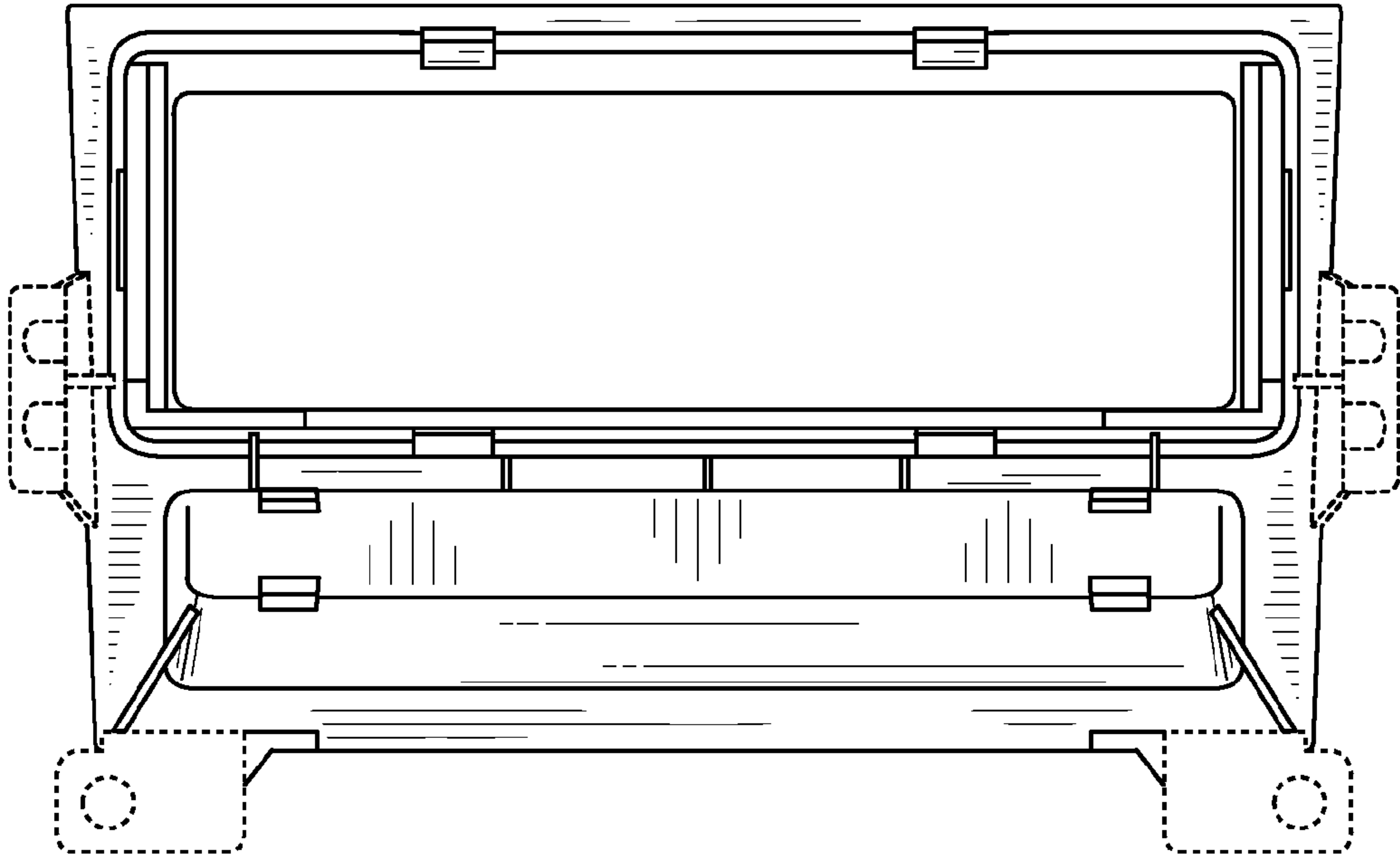


FIG. 3

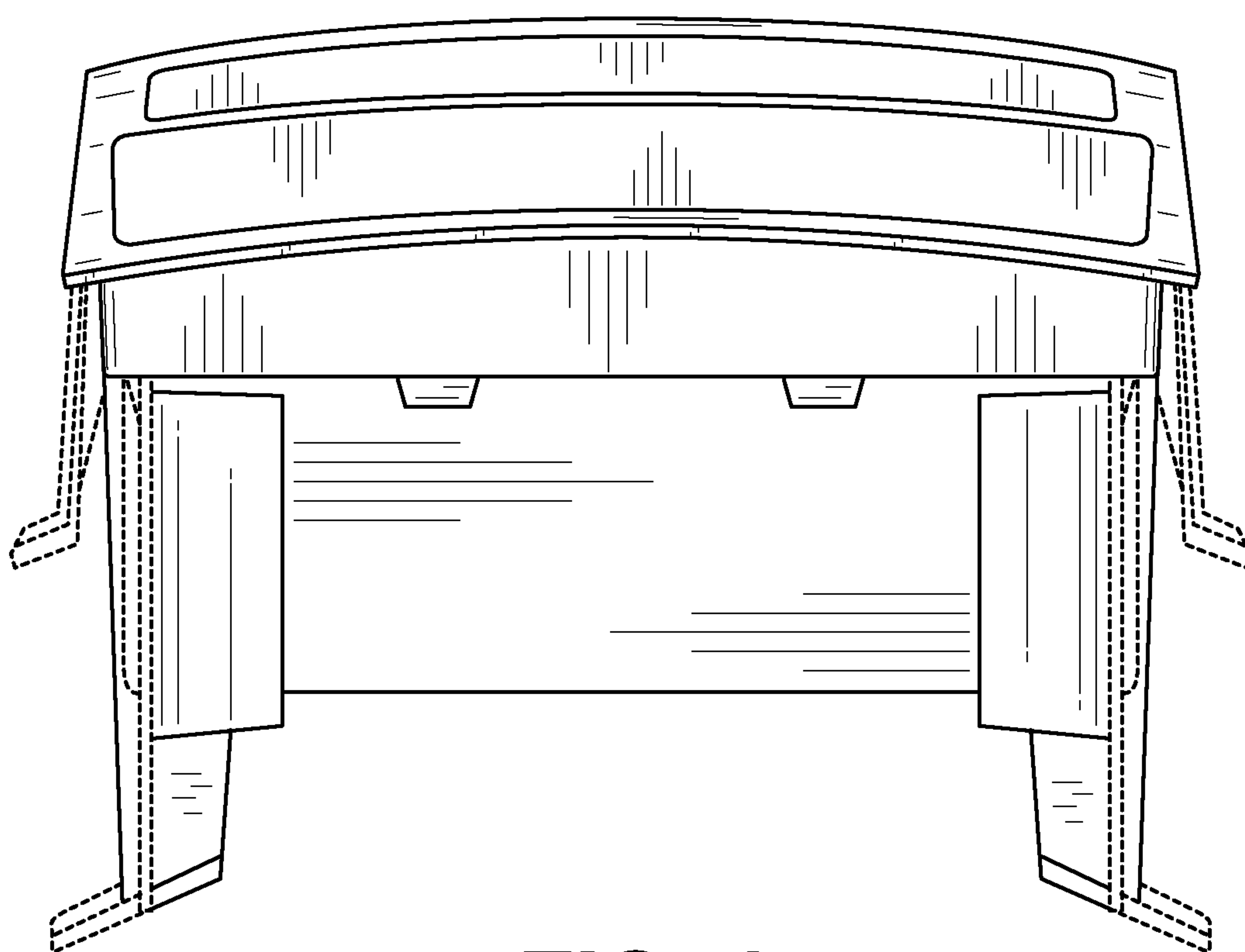


FIG. 4

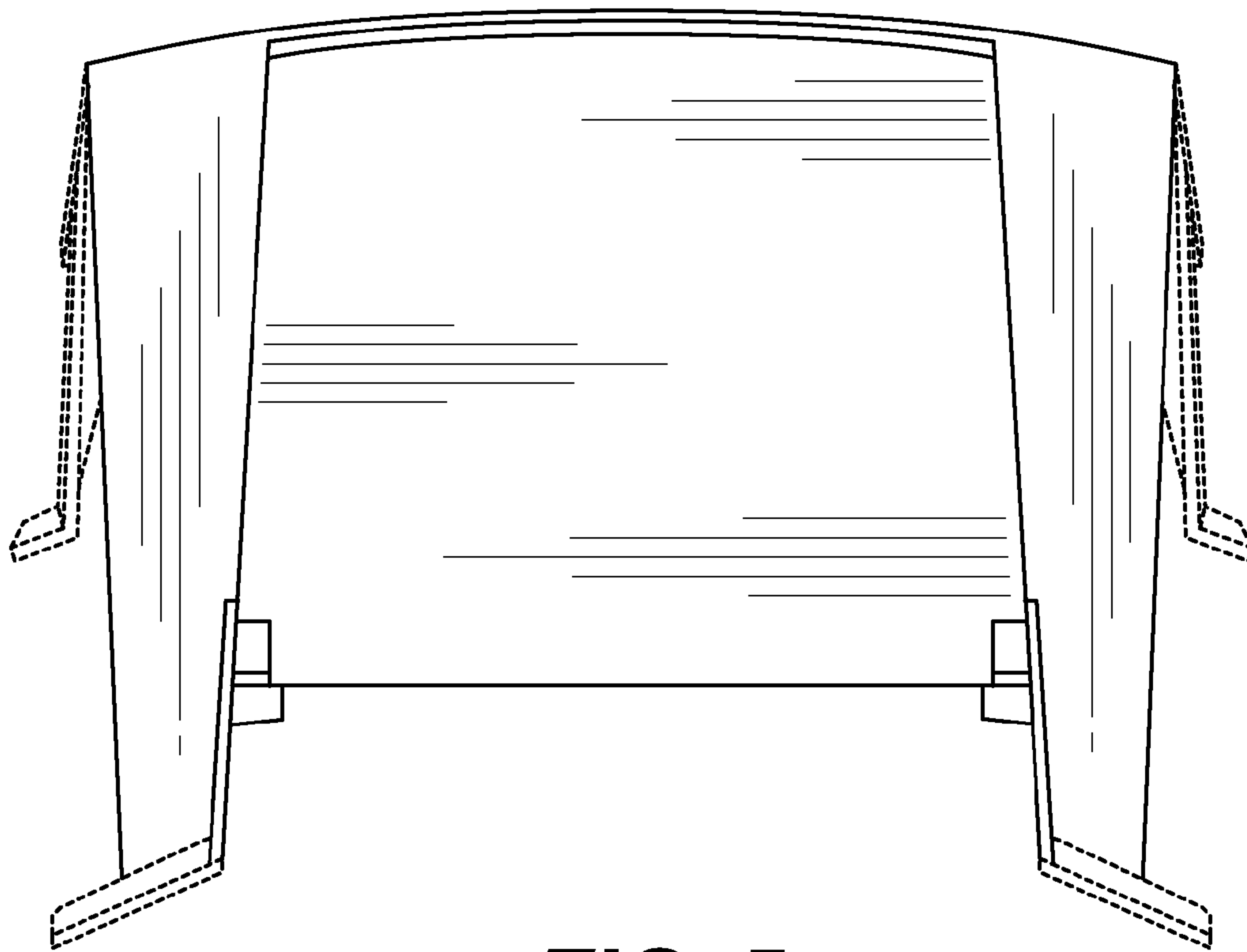


FIG. 5

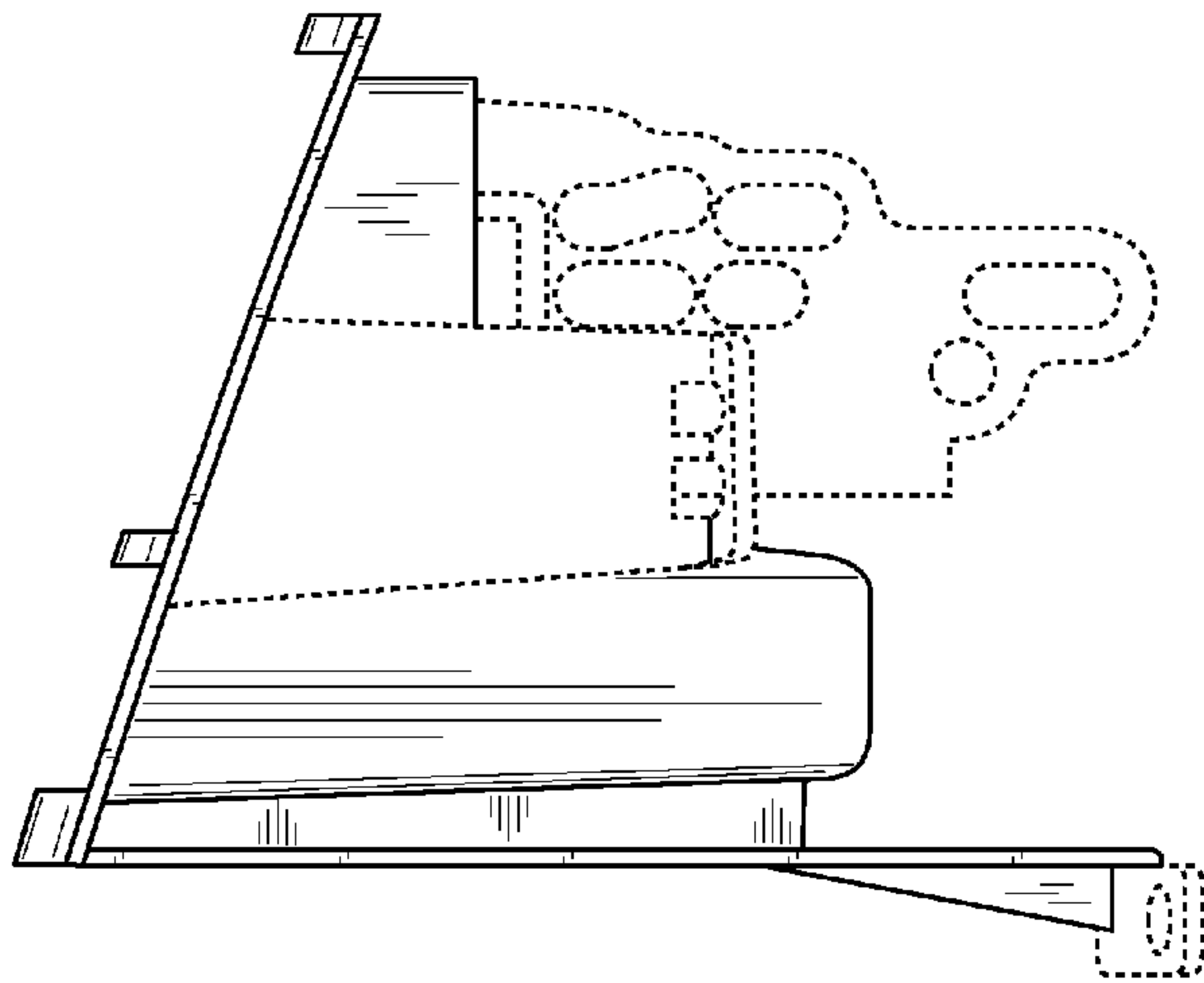


FIG. 6

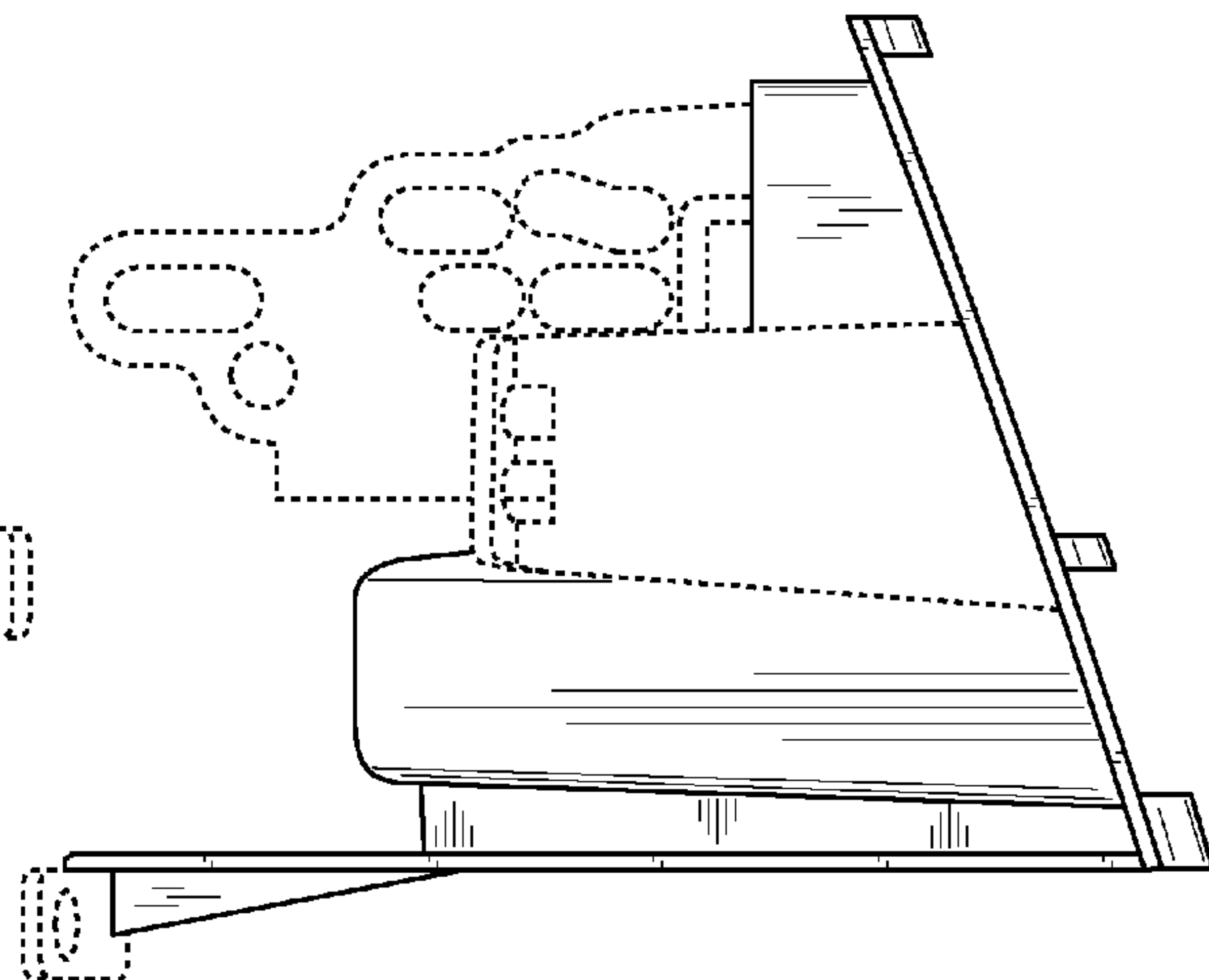


FIG. 7