

US00D639792S

(12) **United States Design Patent**  
**Quilling, II et al.**

(10) **Patent No.:** **US D639,792 S**  
(45) **Date of Patent:** **\*\* Jun. 14, 2011**

(54) **DDIN/ISO STACKED AUTO STEREO HEAD  
UNIT MOUNTING DEVICE**

(75) Inventors: **R. Spencer Quilling, II**, Deland, FL  
(US); **Edward Robertson**, Port Orange,  
FL (US)

(73) Assignee: **Metra Electronics Corporation**, Holly  
Hill, FL (US)

(\*\*) Term: **14 Years**

(21) Appl. No.: **29/365,078**

(22) Filed: **Jul. 2, 2010**

(51) **LOC (9) Cl.** ..... **14-03**

(52) **U.S. Cl.** ..... **D14/258**

(58) **Field of Classification Search** ..... D14/157,  
D14/217, 224, 257-258; 360/4; 369/75.11;  
720/658, 691; 455/344, 575.1; 248/27.1,  
248/27.3, 558

See application file for complete search history.

(56) **References Cited**

**U.S. PATENT DOCUMENTS**

5,106,039 A	4/1992	Gross
5,467,947 A	11/1995	Quilling, II
D401,591 S	11/1998	Jones, Jr. et al.
D418,838 S	1/2000	Jones, Jr. et al.
D481,378 S	10/2003	Quilling, II et al.
D481,707 S	11/2003	Quilling, II et al.
D481,708 S	11/2003	Quilling, II et al.
D482,023 S	11/2003	Quilling, II et al.
D482,024 S	11/2003	Quilling, II et al.
6,651,936 B2	11/2003	Upton et al.
D483,027 S	12/2003	Quilling, II et al.
D484,495 S	12/2003	Quilling, II et al.
D485,260 S	1/2004	Quilling, II et al.
D488,462 S	4/2004	Quilling, II et al.
D492,287 S	6/2004	Quilling, II
D492,288 S	6/2004	Quilling, II
D492,668 S	7/2004	Quilling, II
D496,028 S	9/2004	Quilling, II

D496,354 S	9/2004	Quilling, II
D501,852 S	2/2005	Quilling, II
D503,400 S	3/2005	Quilling, II
D503,401 S	3/2005	Quilling, II
D504,423 S	4/2005	Quilling, II
D505,672 S	5/2005	Quilling
D507,791 S	7/2005	Quilling, II
D508,486 S	8/2005	Quilling, II
D513,508 S	1/2006	Quilling, II
D517,061 S	3/2006	Quilling, II
D519,995 S	5/2006	Quilling, II
D531,879 S	11/2006	Quilling, II
7,177,730 B2	2/2007	Daly et al.

(Continued)

**OTHER PUBLICATIONS**

Metra the Installer's Choice, Autosound Installation Products  
(metraonline.com), pp. 1-143 (2008).

*Primary Examiner* — Nanda Bondade

(74) *Attorney, Agent, or Firm* — Fitzpatrick, Cella, Harper &  
Scinto

(57) **CLAIM**

We claim the ornamental design for a DDIN/ISO stacked auto  
stereo head unit mounting device, as shown and described.

**DESCRIPTION**

FIG. 1 is a right front perspective view of a DDIN/ISO  
stacked auto stereo head unit mounting device showing our  
design;

FIG. 2 is a front elevational view of FIG. 1;

FIG. 3 is a rear elevational view of FIG. 1;

FIG. 4 is a top plan view of FIG. 1;

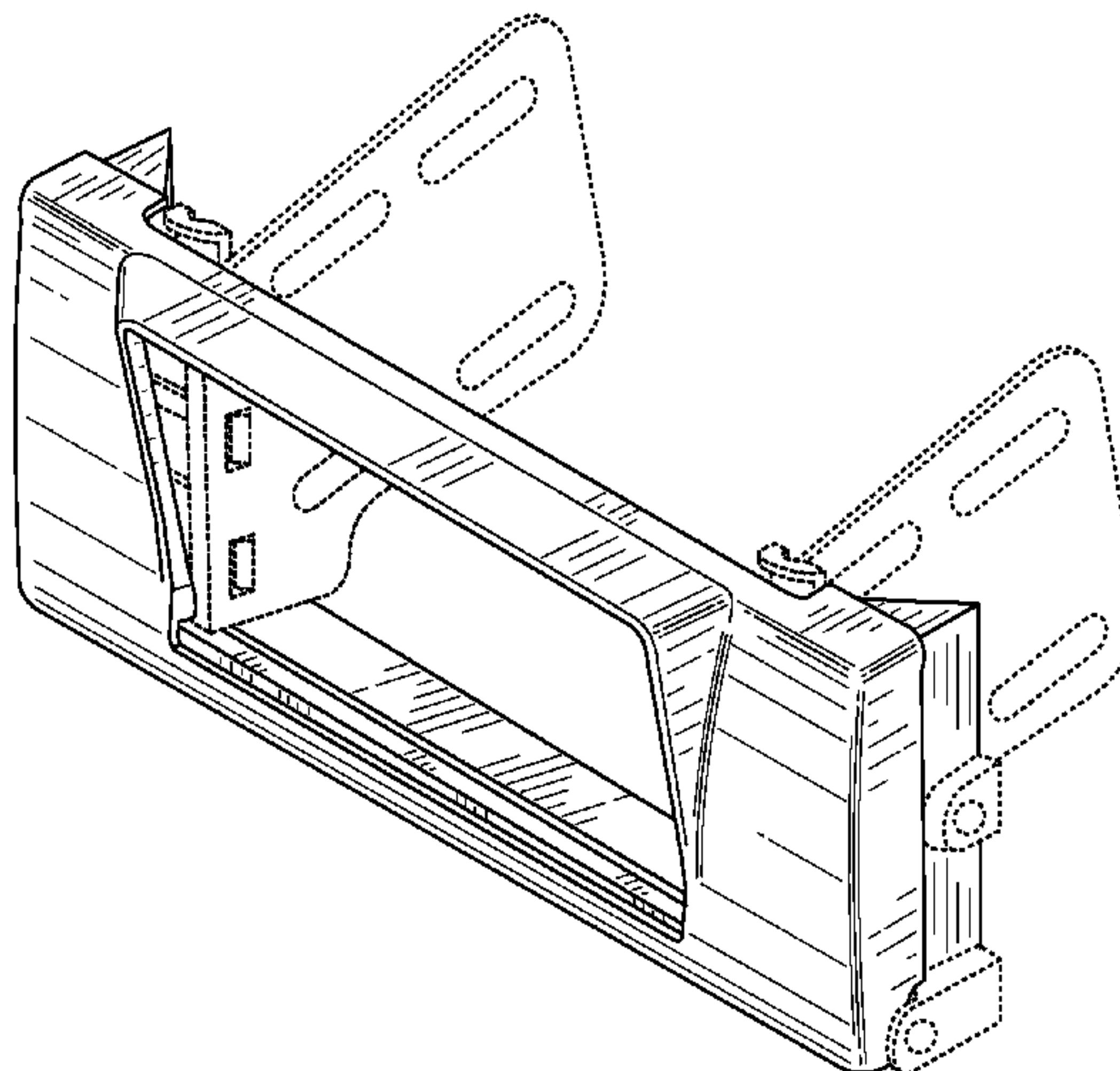
FIG. 5 is a bottom plan view of FIG. 1;

FIG. 6 is a left side elevation view of FIG. 1; and,

FIG. 7 is a right side elevation view of FIG. 1.

The broken line showing on the drawing disclosure is for  
illustrative purposes only and forms no part of the claimed  
design.

**1 Claim, 6 Drawing Sheets**



# US D639,792 S

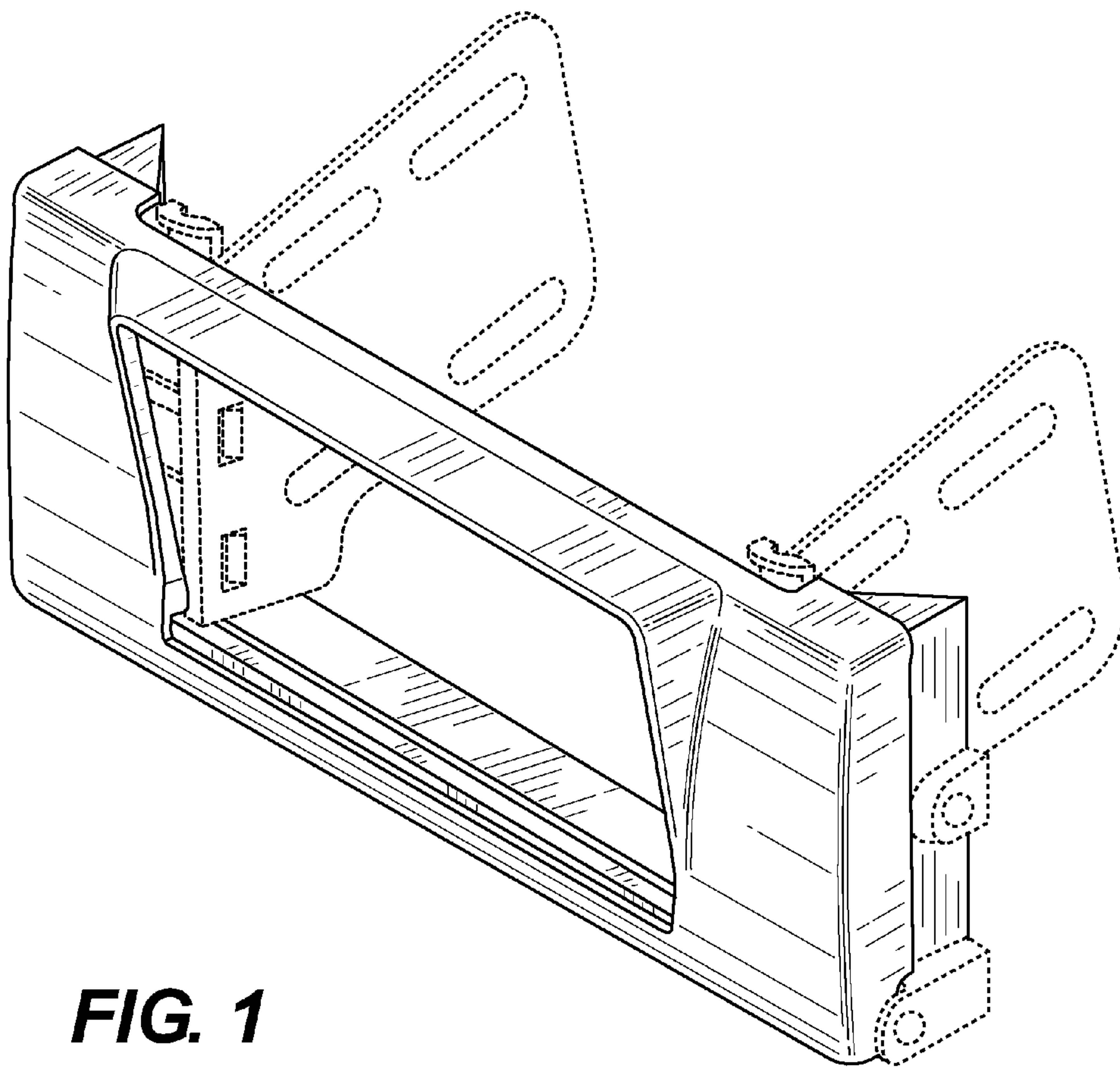
Page 2

---

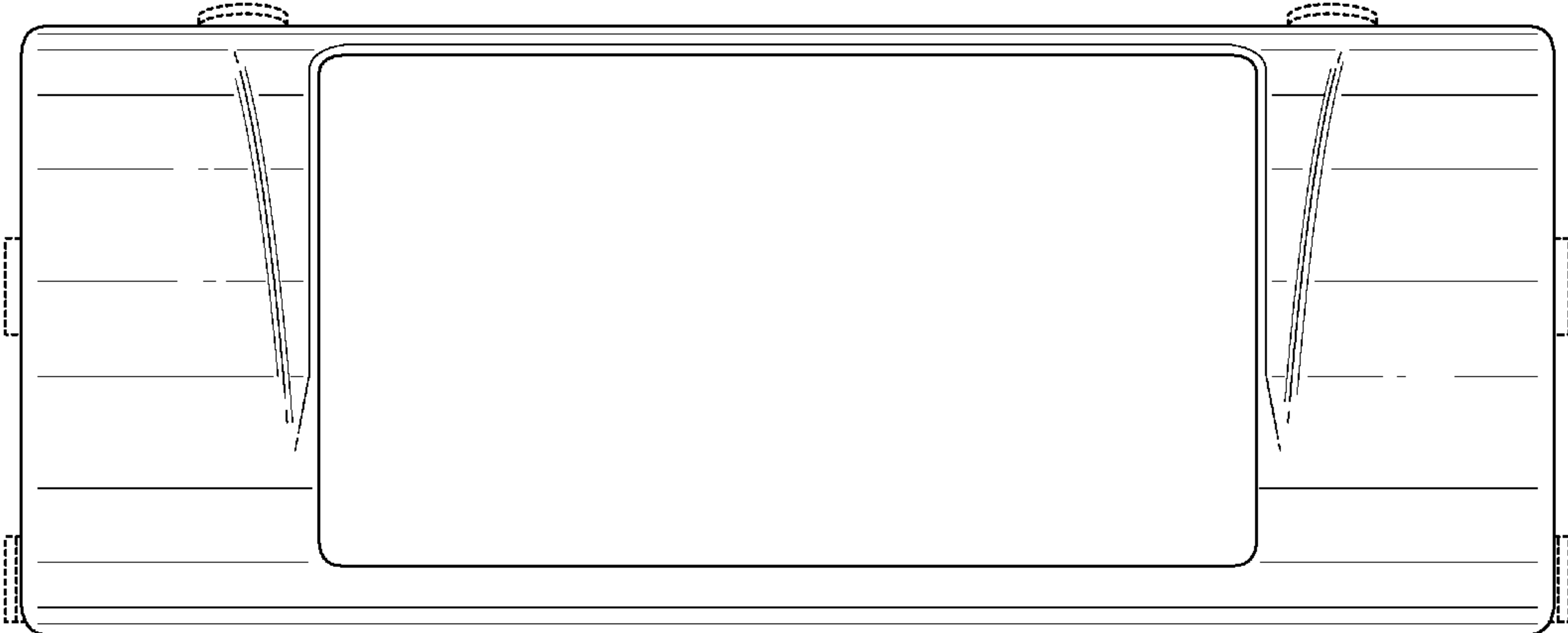
## U.S. PATENT DOCUMENTS

D540,785 S	4/2007	Quilling, II		D582,912 S	12/2008	Quilling, II
7,201,356 B2 *	4/2007	Huang .....	248/27.3	D583,809 S	12/2008	Fiore
D545,661 S	7/2007	Quilling, II		D584,725 S	1/2009	Fiore, IV
D545,815 S	7/2007	Quilling, II		D602,013 S	10/2009	Quilling, II
D555,645 S	11/2007	Quilling, II		D602,483 S	10/2009	Fiore, IV
D555,646 S	11/2007	Quilling, II		D602,929 S	10/2009	Quilling, II
D555,647 S	11/2007	Quilling, II		D602,930 S	10/2009	Quilling, II
D566,701 S	4/2008	Quilling, II		D603,390 S	11/2009	Quilling, II
7,430,110 B2	9/2008	Quilling, II		D604,286 S	11/2009	Fiore, IV
D581,408 S	11/2008	Fiore, IV		D610,580 S	2/2010	Fiore, IV
D582,908 S	12/2008	Quilling		D611,939 S	3/2010	Quilling, II

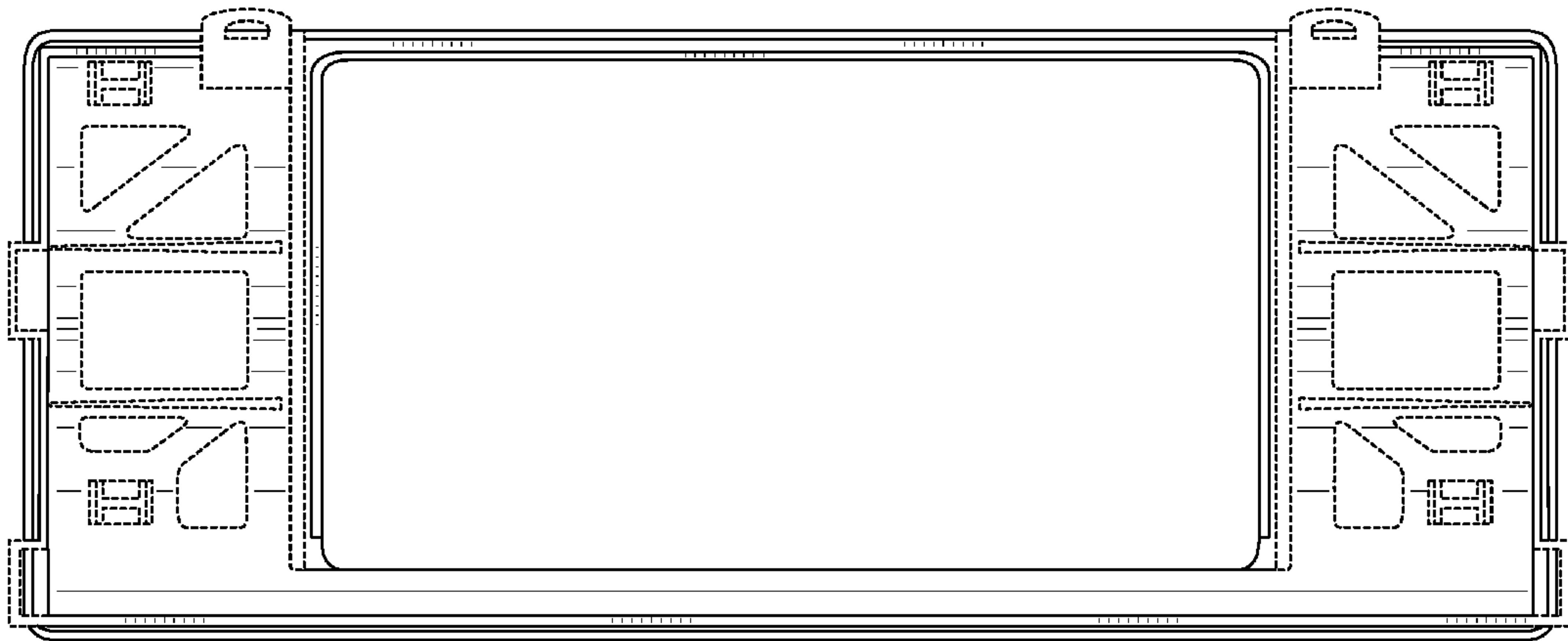
\* cited by examiner



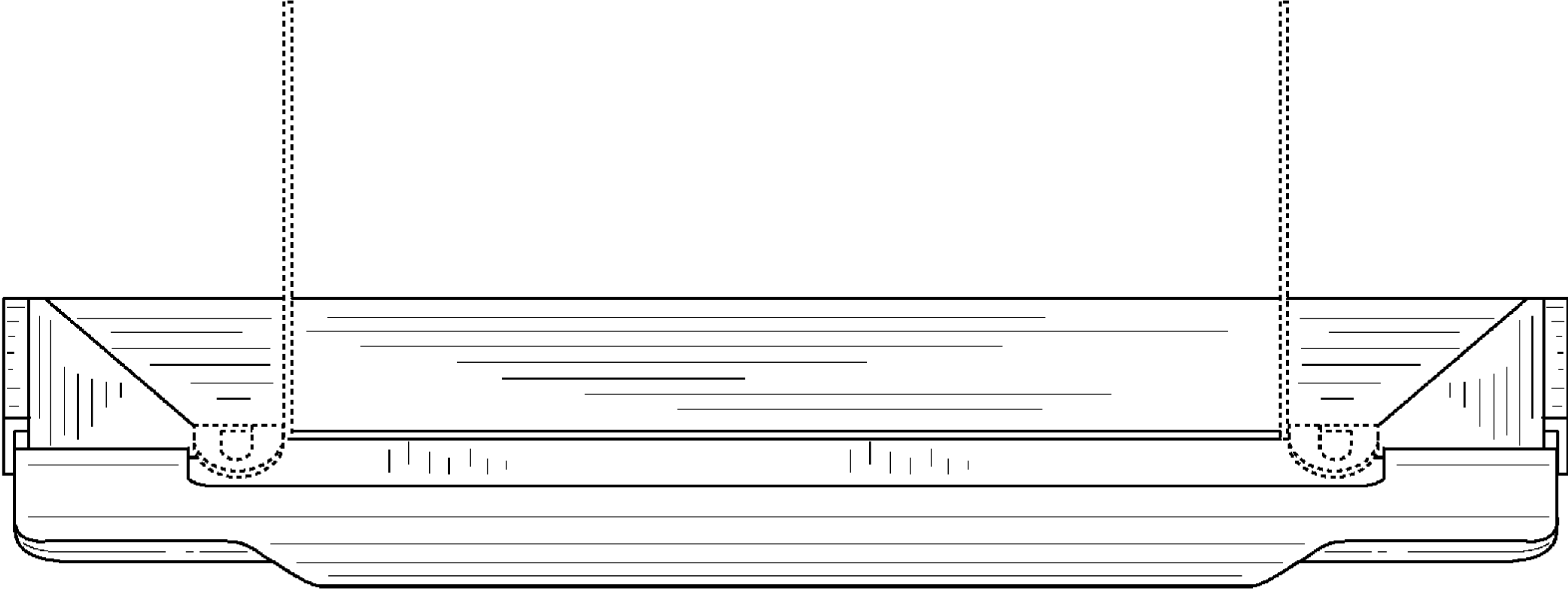
**FIG. 1**



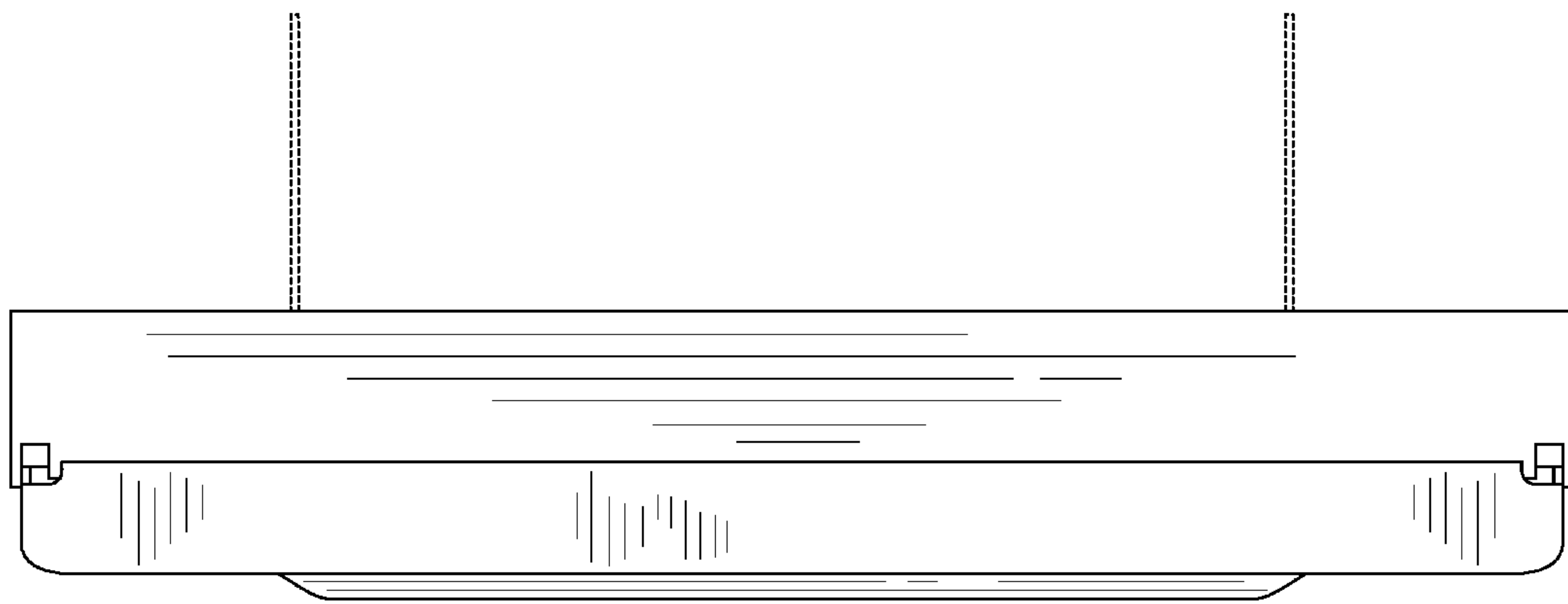
**FIG. 2**



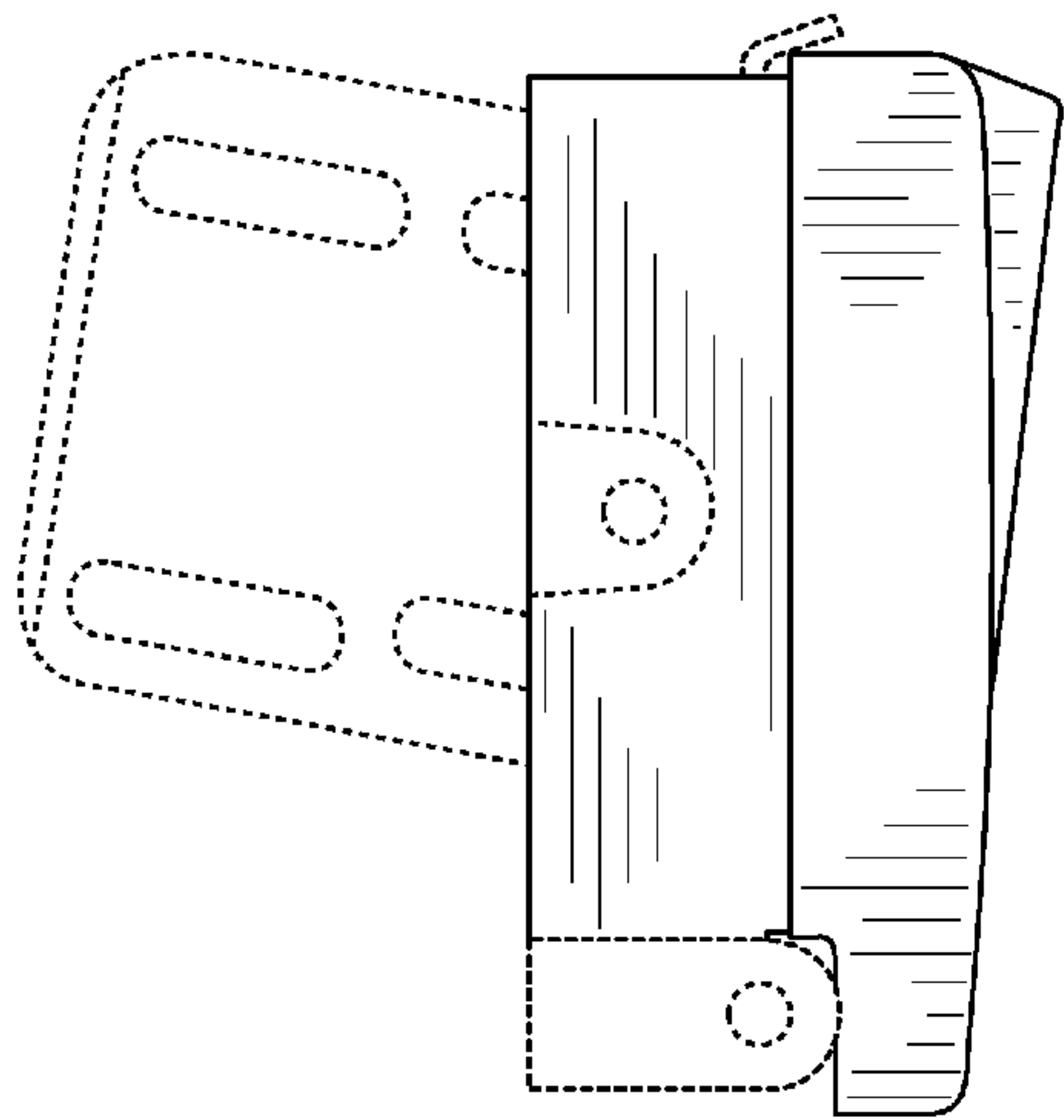
**FIG. 3**



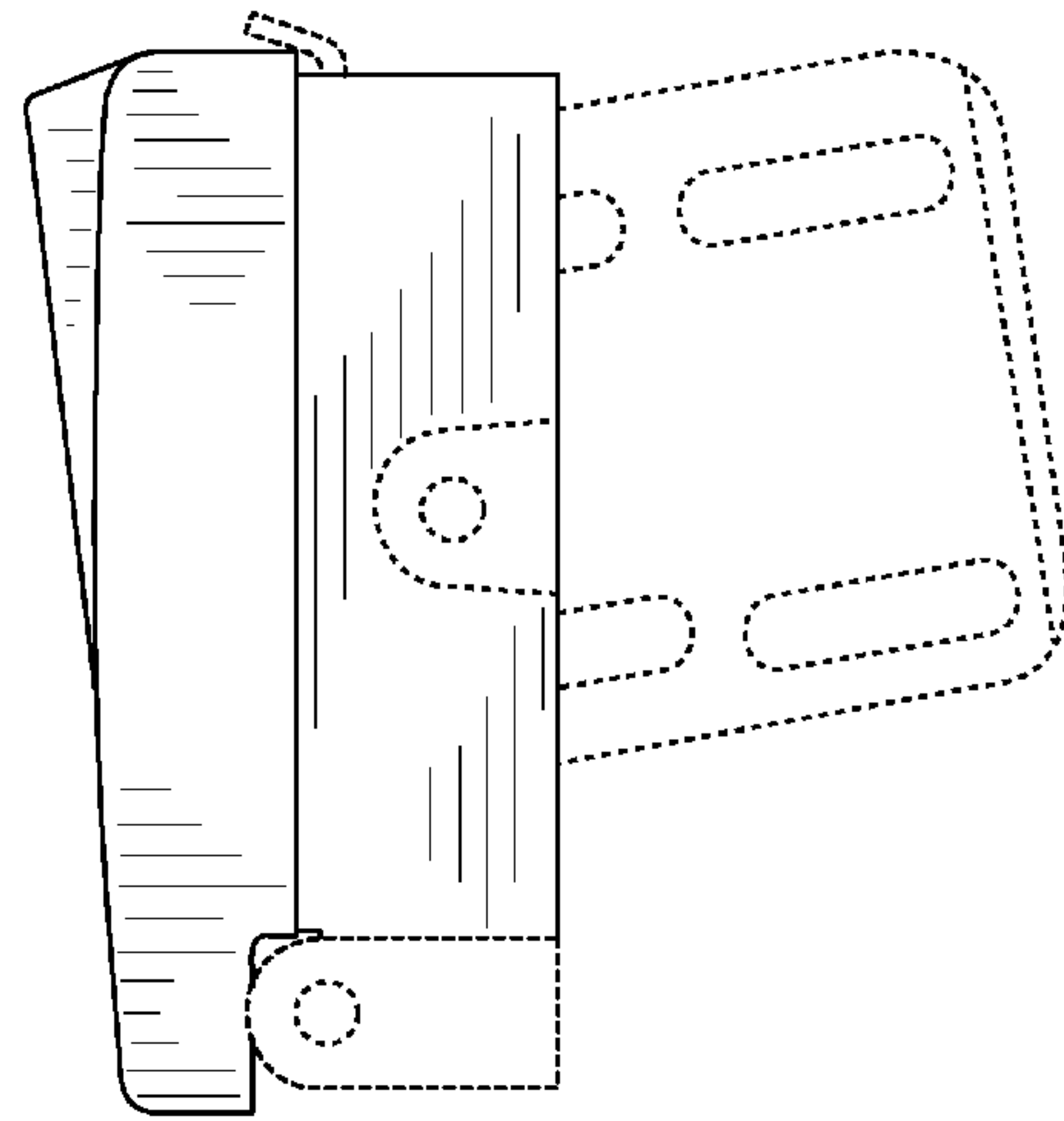
**FIG. 4**



**FIG. 5**



**FIG. 6**



**FIG. 7**