



US00D639788S

(12) **United States Design Patent**
Borregaard

(10) **Patent No.:** **US D639,788 S**

(45) **Date of Patent:** **** Jun. 14, 2011**

(54) **WIRELESS HEARING DEVICE DOCKING STATION**

(75) Inventor: **Sune Pelle Borregaard, Smørum (DK)**

(73) Assignee: **Phonic Ear A/S, Smorum (DK)**

(**) Term: **14 Years**

(21) Appl. No.: **29/300,975**

(22) Filed: **Jun. 5, 2008**

(30) **Foreign Application Priority Data**

Dec. 5, 2007 (EP) 000837679-0001

(51) **LOC (9) Cl.** **14-01**

(52) **U.S. Cl.** **D14/224.1; D24/174**

(58) **Field of Classification Search** D14/224,
D14/225, 229, 434, 400, 224.1, 217; D13/108;
D16/242; 320/110; 181/129, 130, 135; D21/324,
D21/325; D20/1, 3; 455/575.9; D24/174

See application file for complete search history.

(56) **References Cited**

U.S. PATENT DOCUMENTS

D212,362 S *	10/1968	Noyes	D14/225
D220,497 S *	4/1971	Egli et al.	D14/225
D241,854 S *	10/1976	Noyes	D14/225
D325,578 S *	4/1992	Daido et al.	D14/155
D327,479 S *	6/1992	Britz	D14/225
D341,133 S *	11/1993	Miyake et al.	D14/357
D351,391 S *	10/1994	Martin	D14/225
D352,946 S *	11/1994	Nensel et al.	D14/225
D355,913 S *	2/1995	Chong	D14/168
D368,892 S *	4/1996	Tanaka	D13/108
5,656,914 A *	8/1997	Nagele et al.	320/110
D387,784 S *	12/1997	Nakamura	D14/224
D404,736 S *	1/1999	Alvarez et al.	D14/229
D411,989 S *	7/1999	Grossman et al.	D14/434
D433,005 S *	10/2000	McGugan	D14/155
D439,908 S *	4/2001	Gozani	D14/434
D444,123 S *	6/2001	Hofstede et al.	D13/108
D456,351 S *	4/2002	Yoneda	D13/108
D461,794 S *	8/2002	Polito et al.	D14/224
D462,337 S *	9/2002	Schmidt et al.	D14/149

D462,342 S *	9/2002	Polito et al.	D14/224
D462,950 S *	9/2002	Waffensmith et al.	D14/251
D464,038 S *	10/2002	Bebenroth	D14/223
D468,305 S *	1/2003	Ma et al.	D14/253
D496,029 S *	9/2004	Skulley et al.	D14/224
D508,458 S *	8/2005	Solland et al.	D13/108
D514,553 S *	2/2006	Yang	D14/229
D517,519 S *	3/2006	Skulley et al.	D14/149
D518,033 S *	3/2006	Lee	D14/224
D518,034 S *	3/2006	Lee	D14/224
D519,975 S *	5/2006	Skulley et al.	D14/149
D523,412 S *	6/2006	Ham	D14/149
D537,806 S *	3/2007	Beasley et al.	D14/149
D540,816 S *	4/2007	Kim	D14/496
D566,697 S *	4/2008	Nielsen et al.	D14/224
D618,804 S *	6/2010	Borregaard	D24/174
D624,187 S *	9/2010	Borregaard	D24/174
D625,418 S *	10/2010	Borregaard	D24/174

* cited by examiner

Primary Examiner — Paula Greene

(74) *Attorney, Agent, or Firm* — Birch, Stewart, Kolasch & Birch, LLP

(57) **CLAIM**

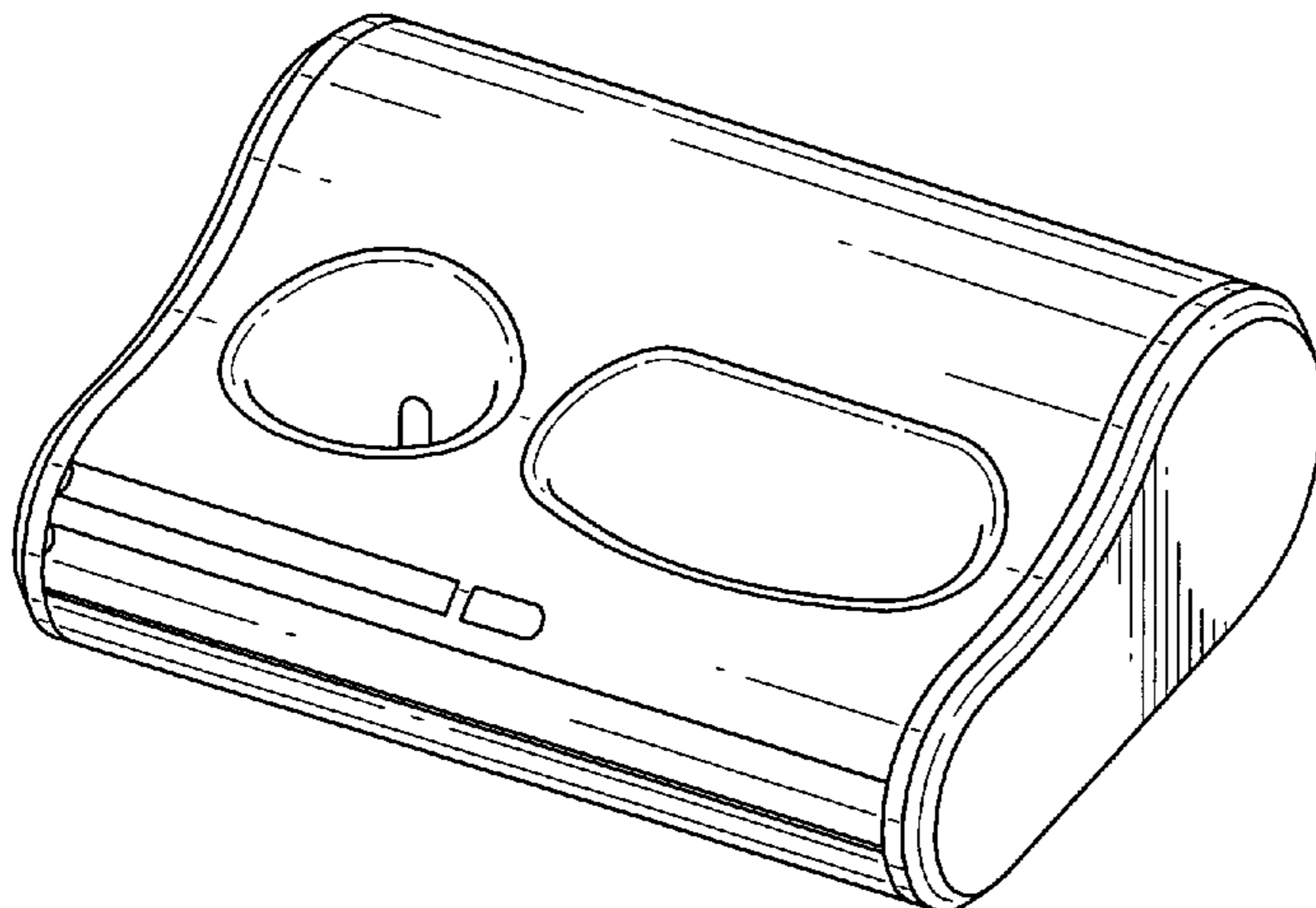
The ornamental design for a wireless hearing device docking station, as substantially shown and described.

DESCRIPTION

FIG. 1 is a front perspective view of the wireless hearing device docking station;
 FIG. 2 is a front view of the wireless hearing device docking station;
 FIG. 3 is a rear view of the wireless hearing device docking station;
 FIG. 4 is a right side view of the wireless hearing device docking station;
 FIG. 5 is a left side view of the wireless hearing device docking station;
 FIG. 6 is a top view of the wireless hearing device docking station; and,
 FIG. 7 is a bottom view of the wireless hearing device docking station.

The broken lines form no part of the claimed design.

1 Claim, 4 Drawing Sheets



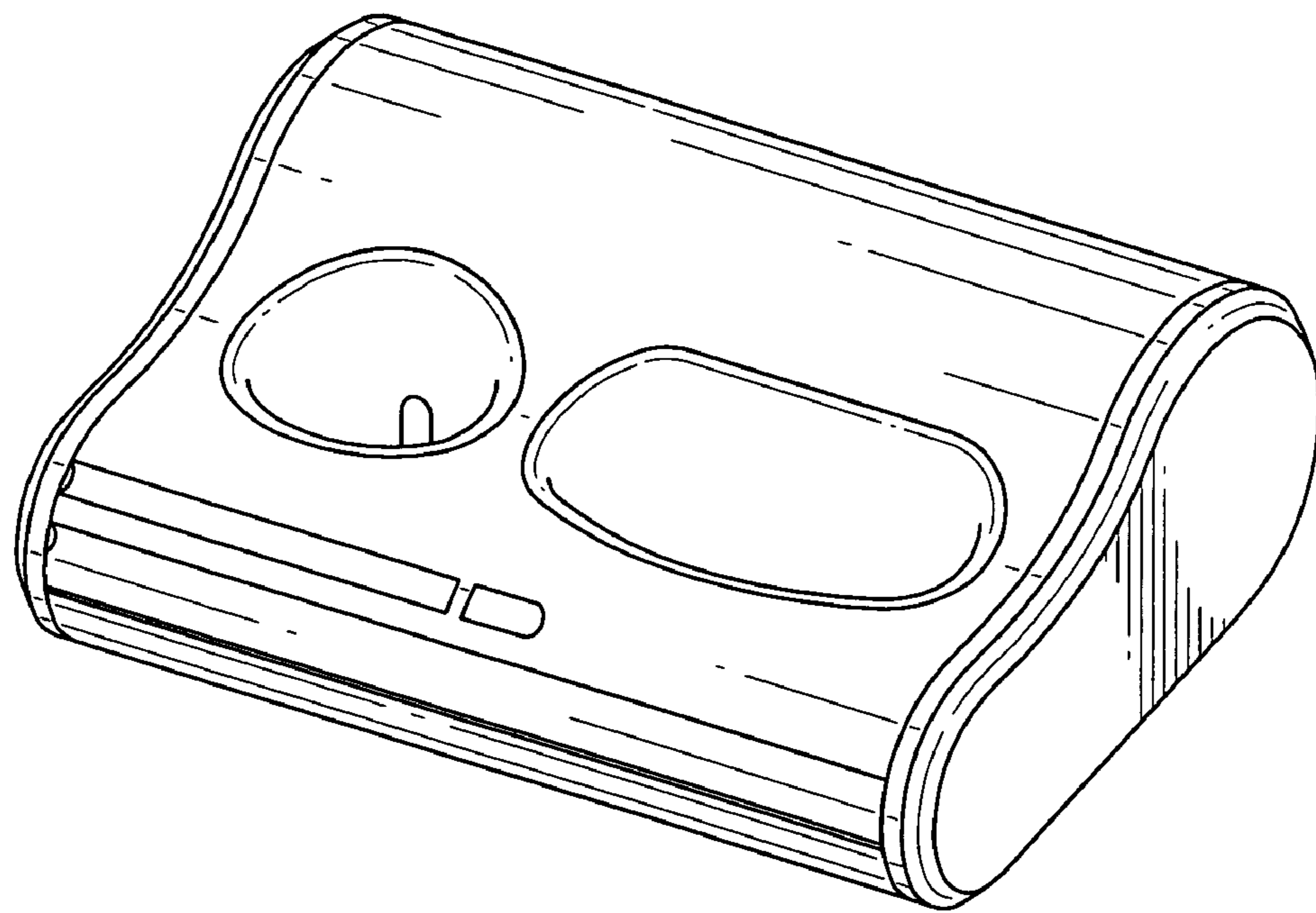


FIG.1

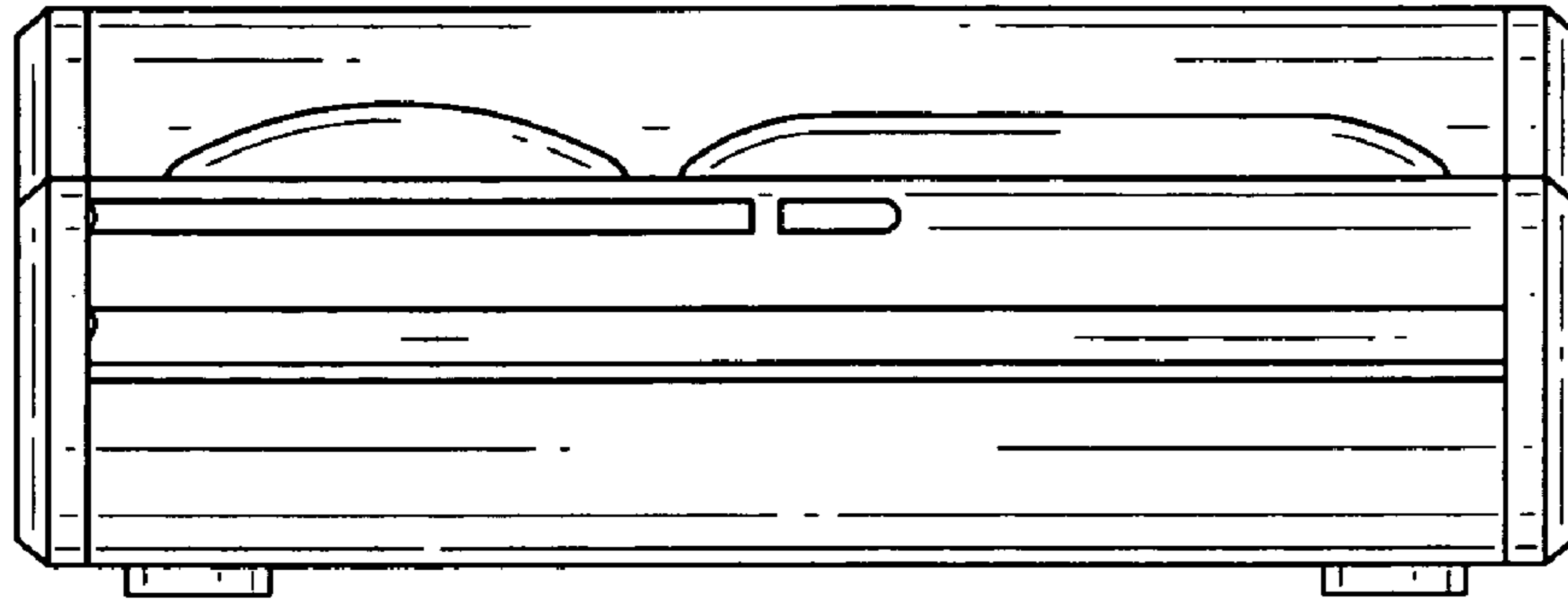


FIG. 2

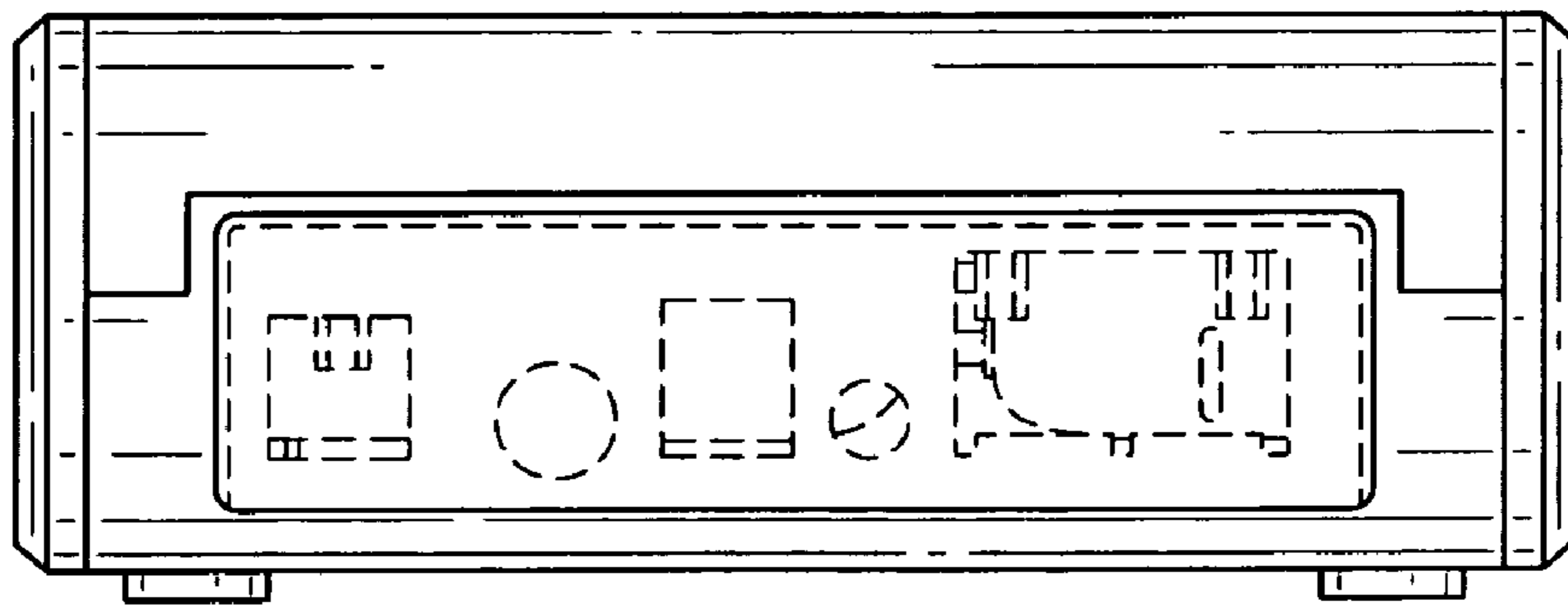


FIG. 3

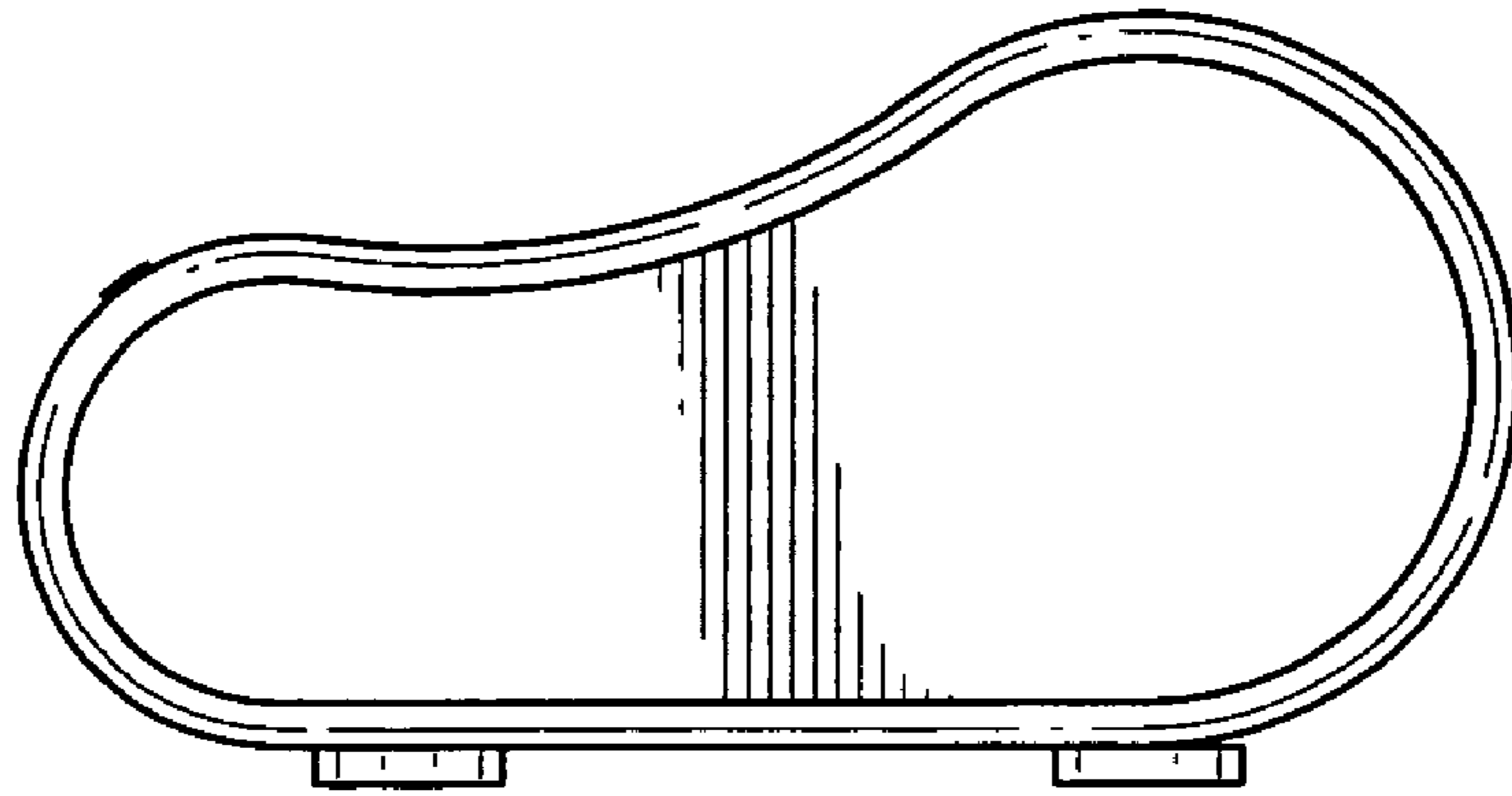


FIG.4

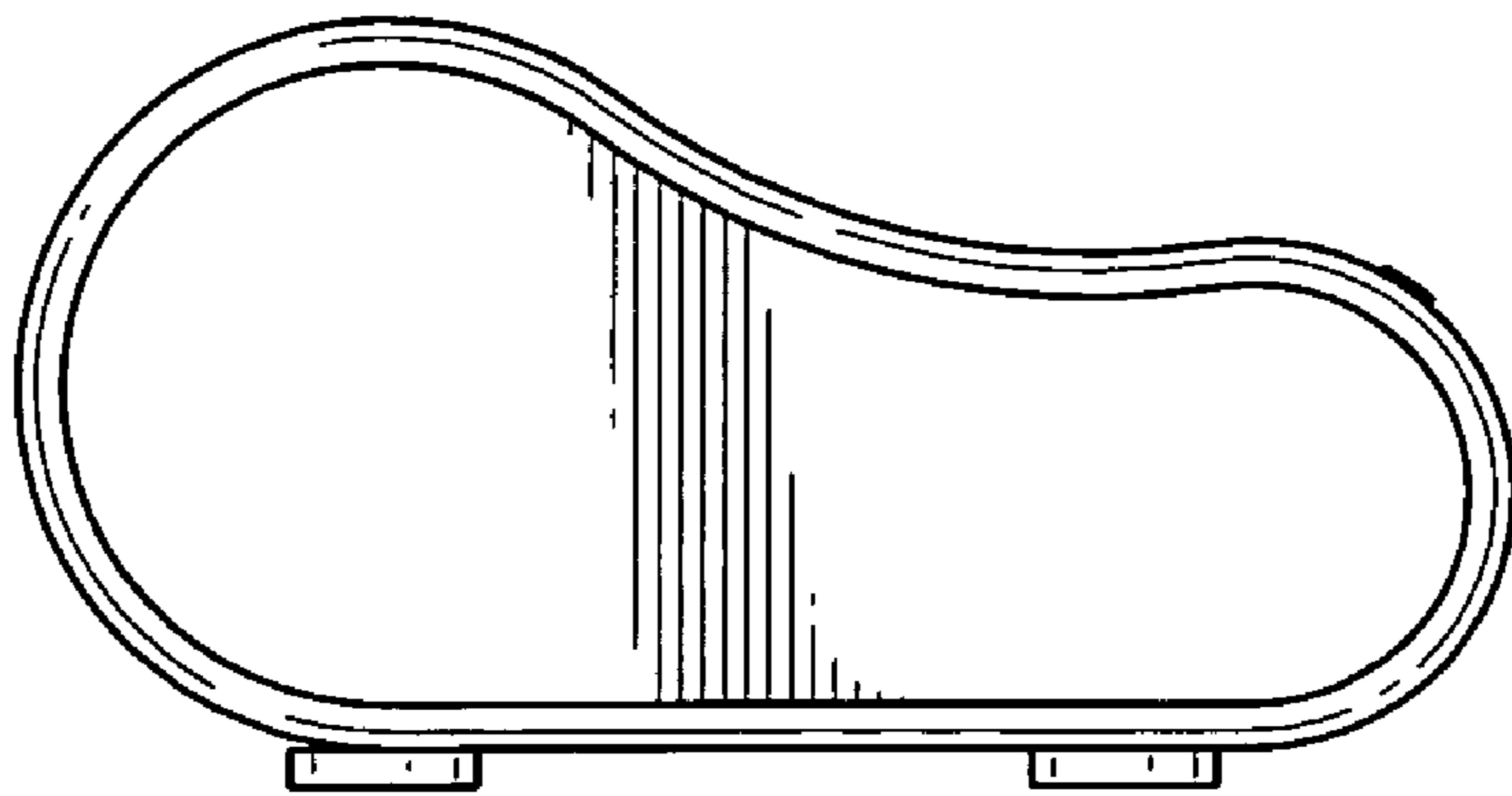


FIG.5

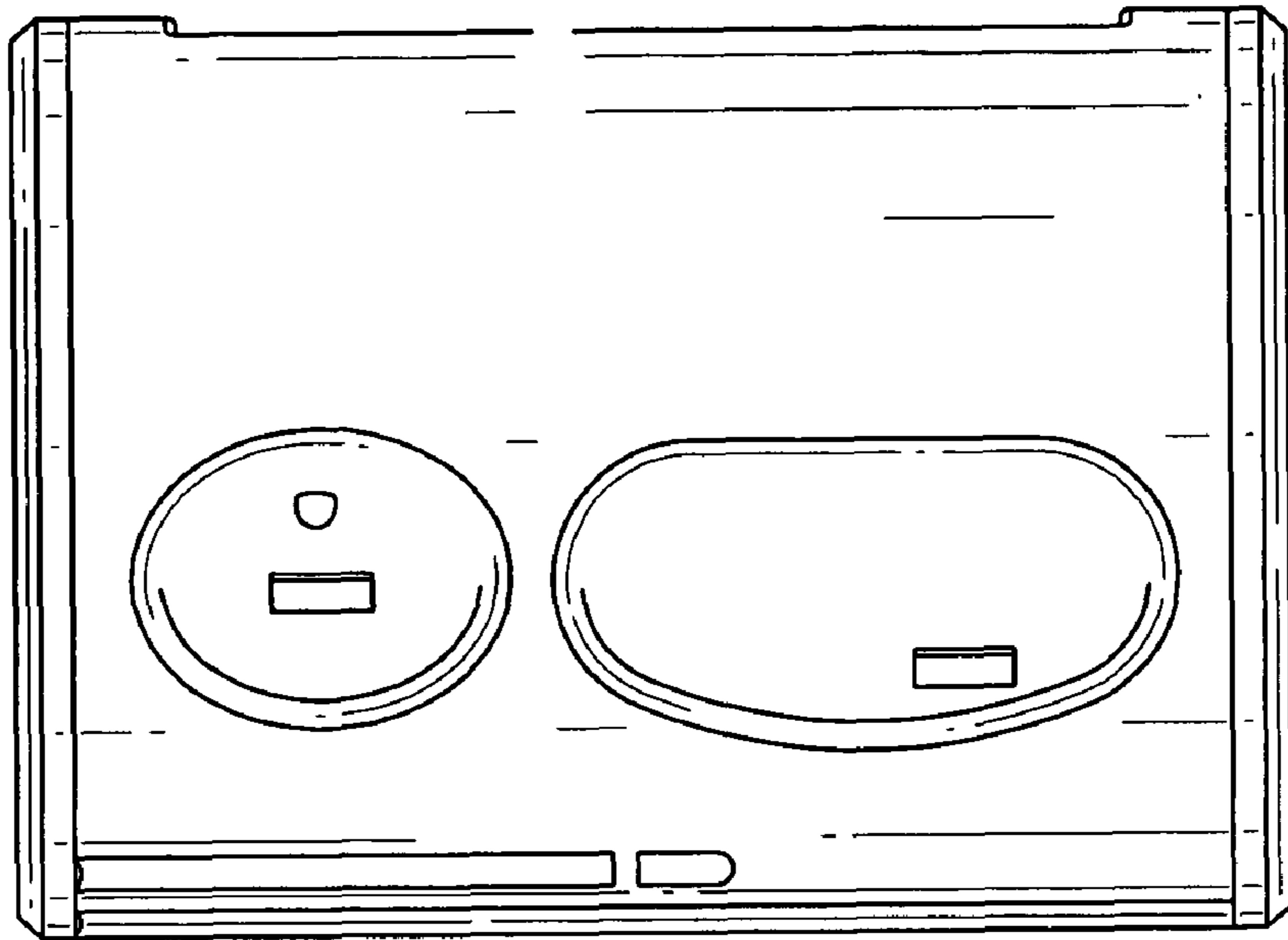


FIG. 6

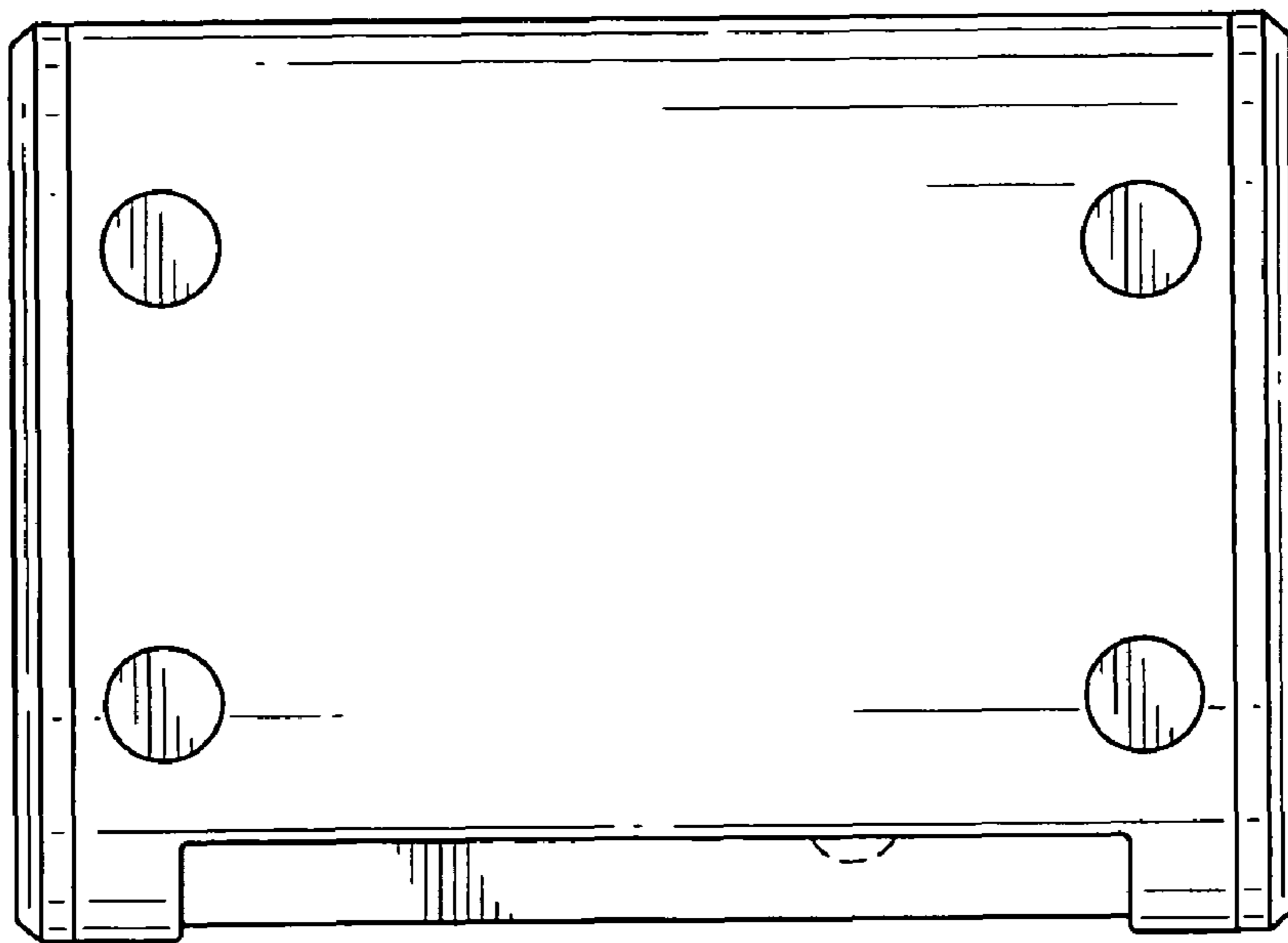


FIG. 7

UNITED STATES PATENT AND TRADEMARK OFFICE
CERTIFICATE OF CORRECTION

PATENT NO. : D639,788 S
APPLICATION NO. : 29/300975
DATED : June 14, 2011
INVENTOR(S) : Sune Pelle Borregaard

Page 1 of 1

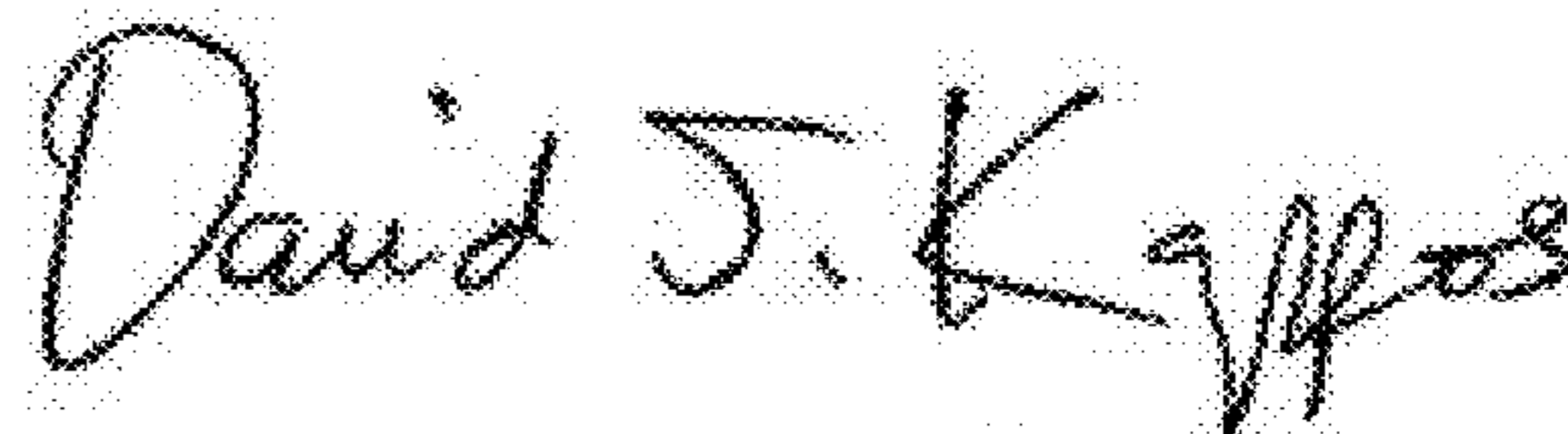
It is certified that error appears in the above-identified patent and that said Letters Patent is hereby corrected as shown below:

On the title page, item (30), in the Foreign Application Priority Data, change the priority country code "EP" to --EM--

(30) Foreign Application Priority Data

Dec. 5, 2007 (EM).....000837679-0001

Signed and Sealed this
Thirtieth Day of August, 2011



David J. Kappos
Director of the United States Patent and Trademark Office