



US00D639787S

(12) **United States Design Patent**
Quek

(10) **Patent No.:** **US D639,787 S**

(45) **Date of Patent:** **** Jun. 14, 2011**

(54) **HEADPHONES**

(75) **Inventor:** **Bernard Peng Koon Quek**, Singapore
(SG)

(73) **Assignee:** **Sennheiser electronic GmbH & Co.**
KG, Wedemark (DE)

(**) **Term:** **14 Years**

(21) **Appl. No.:** **29/364,342**

(22) **Filed:** **Jun. 22, 2010**

(30) **Foreign Application Priority Data**

Dec. 23, 2009 (EM) 0011186191

(51) **LOC (9) Cl.** **14-01**

(52) **U.S. Cl.** **D14/223**

(58) **Field of Classification Search** D14/205,
D14/206, 223; 181/129, 130, 135; 379/430,
379/431; 381/370, 330, 380, 381; 455/90.3,
455/575.1, 569.1

See application file for complete search history.

(56) **References Cited**

U.S. PATENT DOCUMENTS

5,412,736 A * 5/1995 Keliiliki 381/381
5,625,171 A * 4/1997 Marshall 181/130
D407,089 S * 3/1999 Norin D14/206
6,449,374 B1 * 9/2002 Skulley et al. 381/381

D470,129 S * 2/2003 Hlas et al. D14/223
D501,196 S * 1/2005 Dyer et al. D14/205
D508,911 S * 8/2005 Sanders D14/223
D510,575 S * 10/2005 Leong D14/223
D527,377 S * 8/2006 Darbut D14/223
7,123,737 B2 * 10/2006 Ham 381/381
D543,968 S * 6/2007 Wong D14/205
D575,772 S * 8/2008 Schultz et al. D14/223
D601,126 S * 9/2009 Christopher et al. D14/206
D603,847 S * 11/2009 Chung D14/223
7,648,005 B2 * 1/2010 Leong et al. 181/135
D617,780 S * 6/2010 Jaakkola et al. D14/223

* cited by examiner

Primary Examiner — Paula Greene

(74) *Attorney, Agent, or Firm* — Kilpatrick Townsend & Stockton LLP

(57) **CLAIM**

The ornamental design for headphones, as shown and described.

DESCRIPTION

FIG. 1 is a perspective view of a headphones showing my new design;

FIG. 2 is a front elevational view thereof;

FIG. 3 is a left side elevational view thereof;

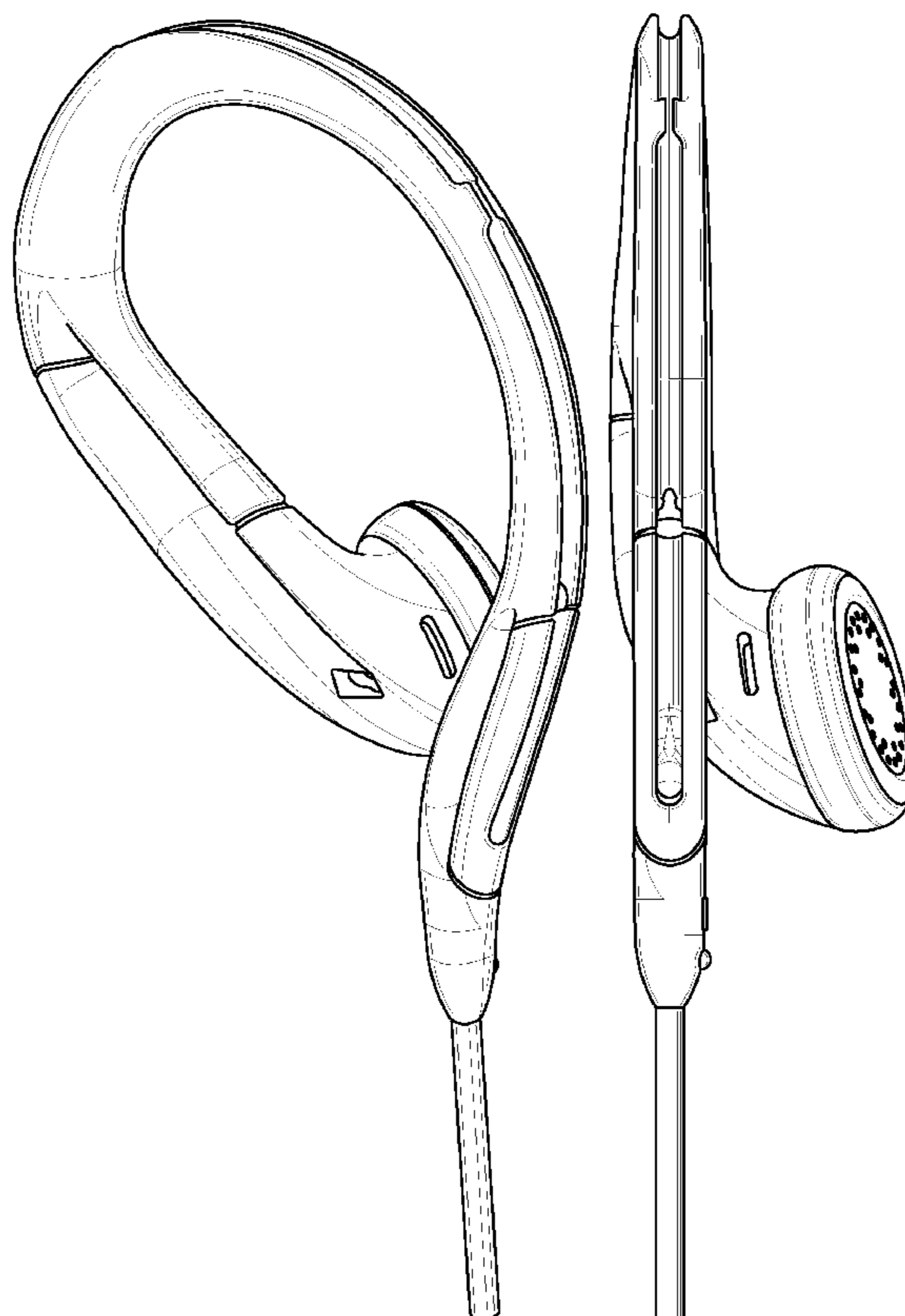
FIG. 4 is a right side elevational view thereof;

FIG. 5 is a rear elevational view thereof;

FIG. 6 is a top plan view thereof; and,

FIG. 7 is a bottom plan view thereof.

1 Claim, 7 Drawing Sheets



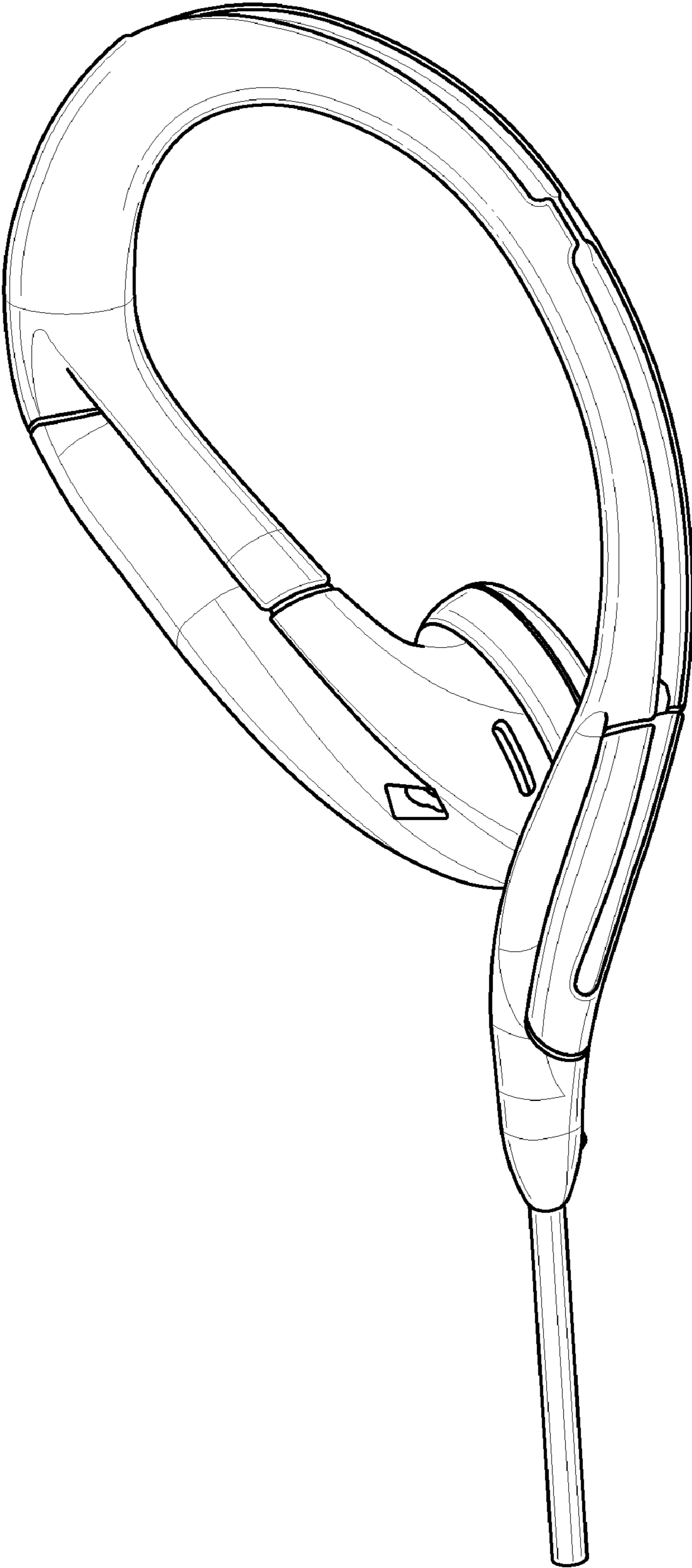


FIG. 1

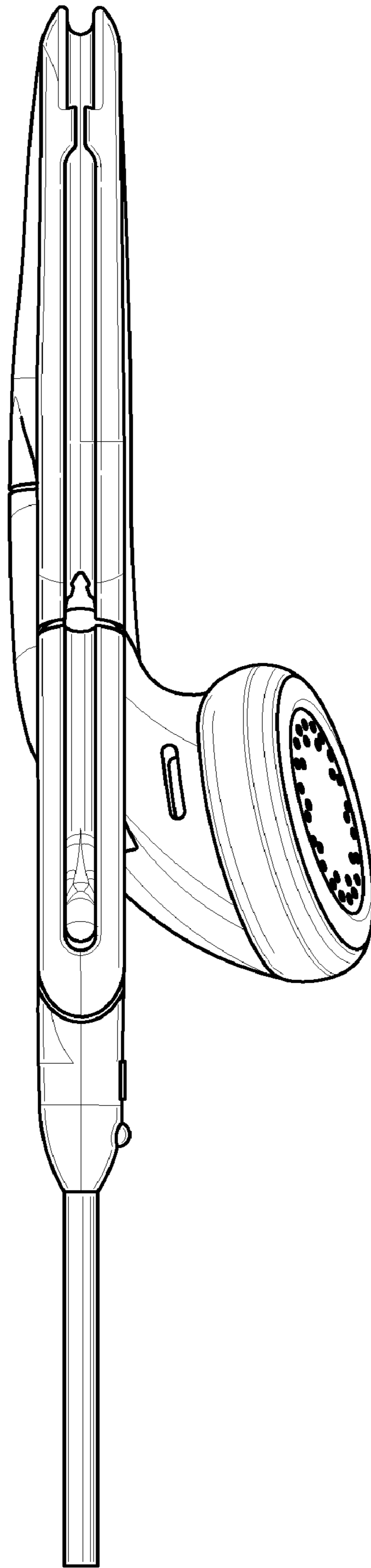


FIG. 2

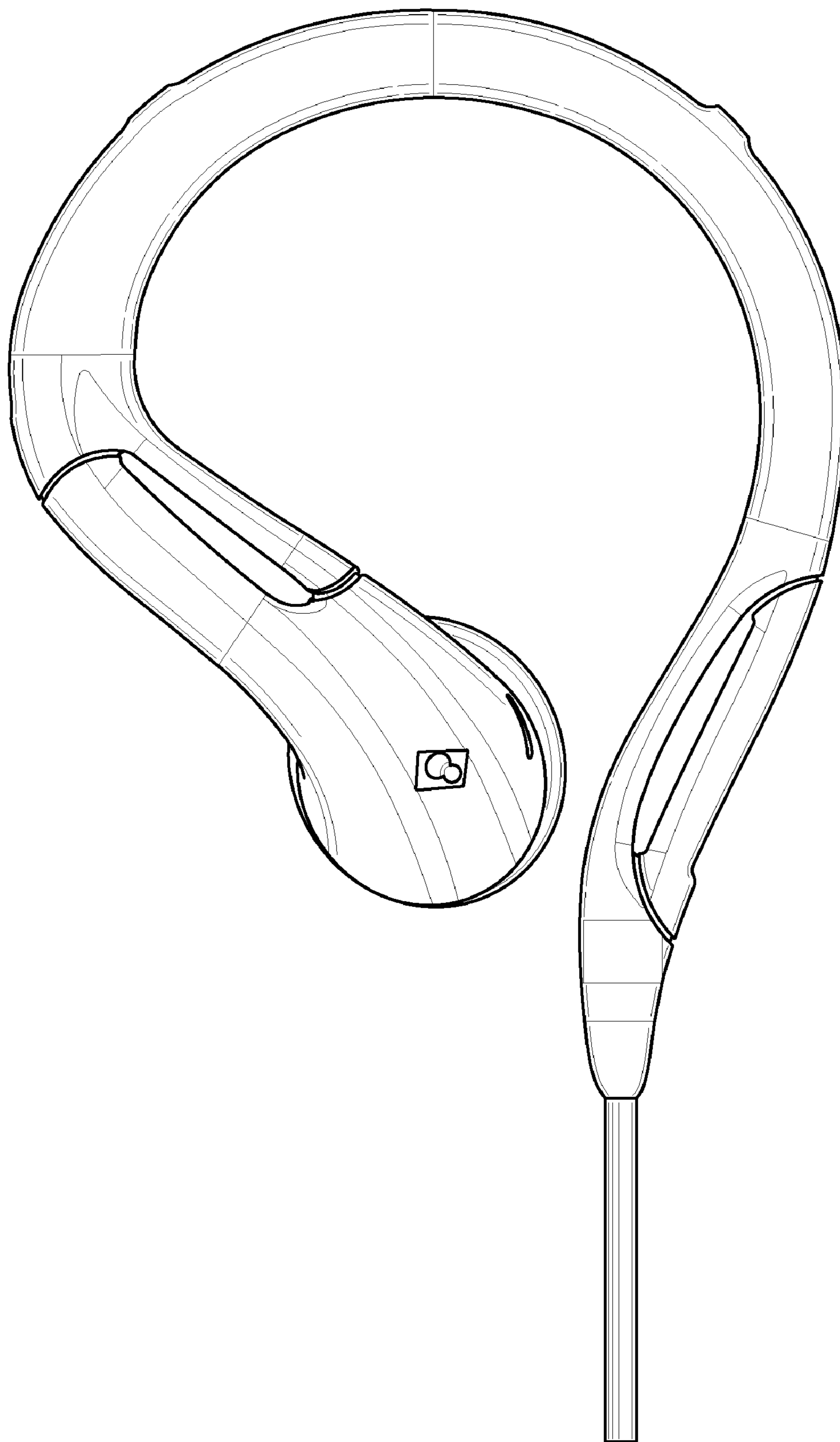


FIG. 3

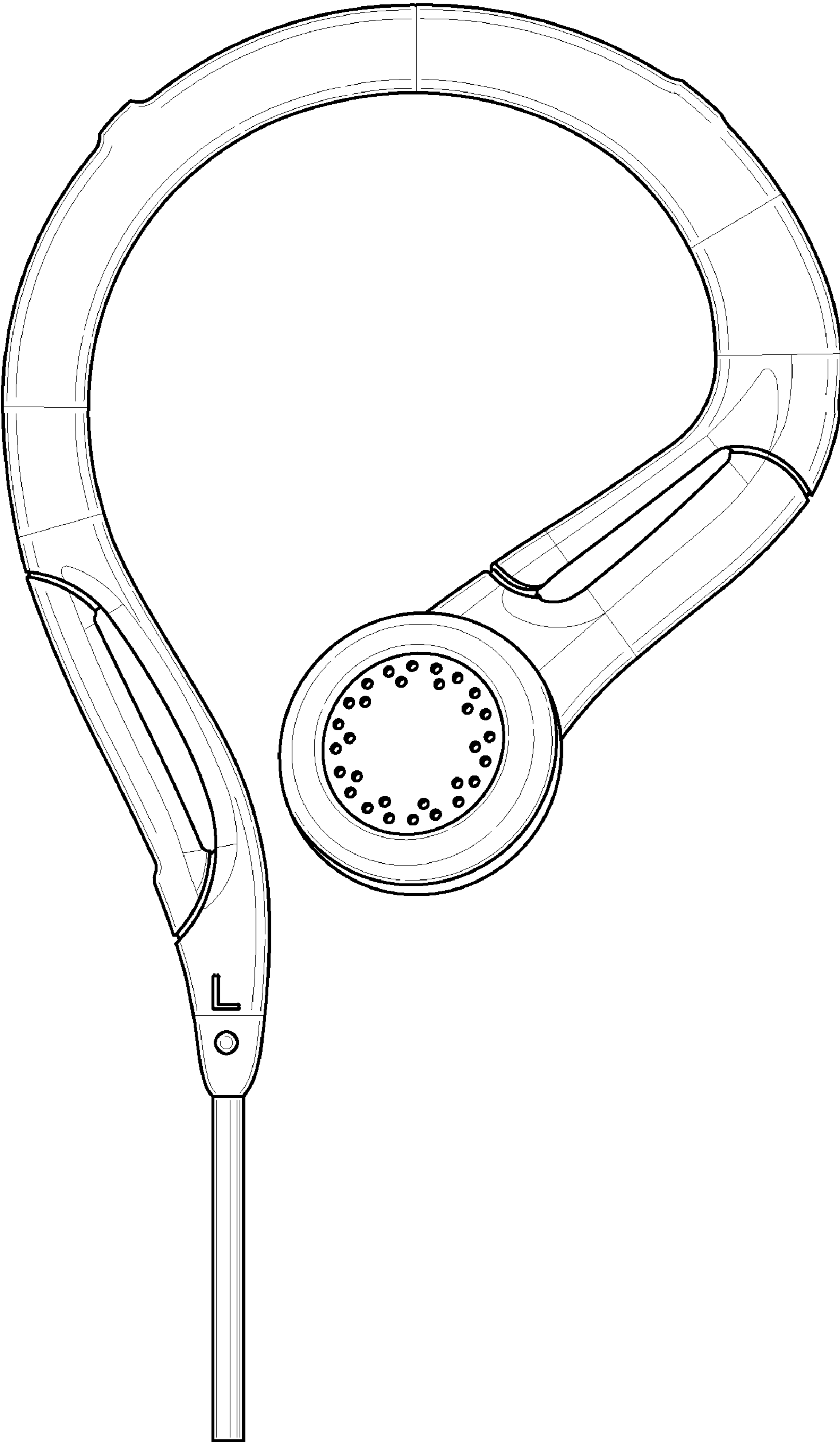


FIG. 4

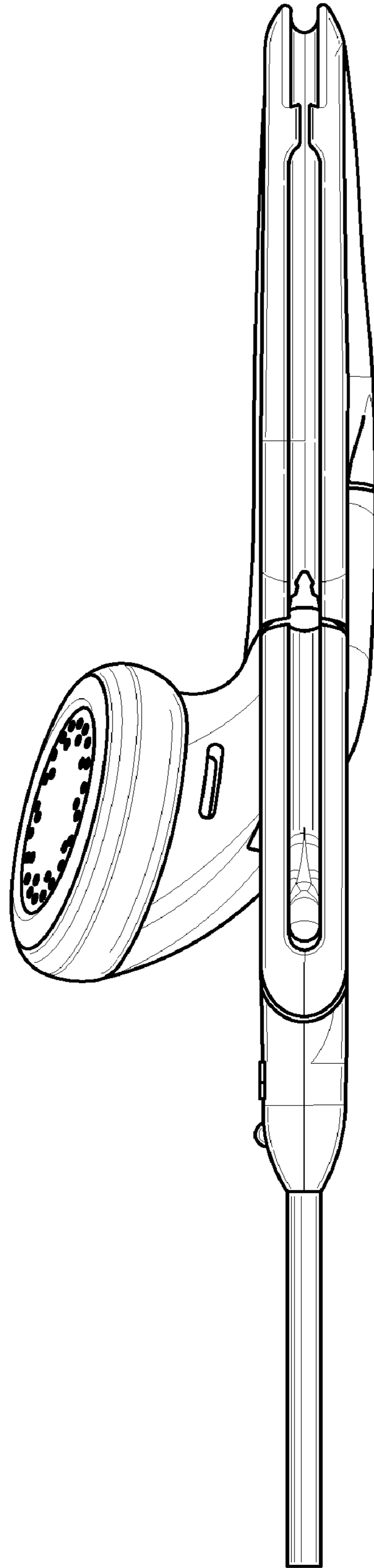


FIG. 5

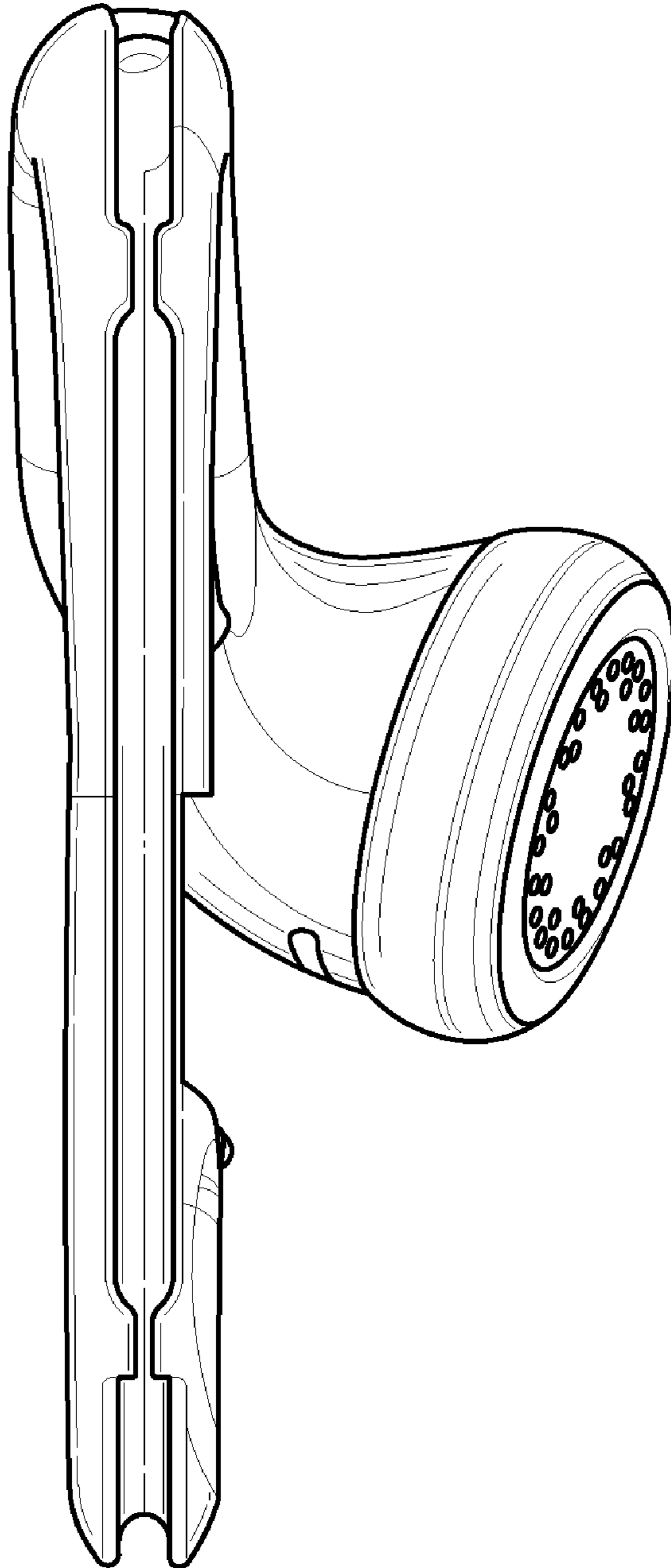


FIG. 6

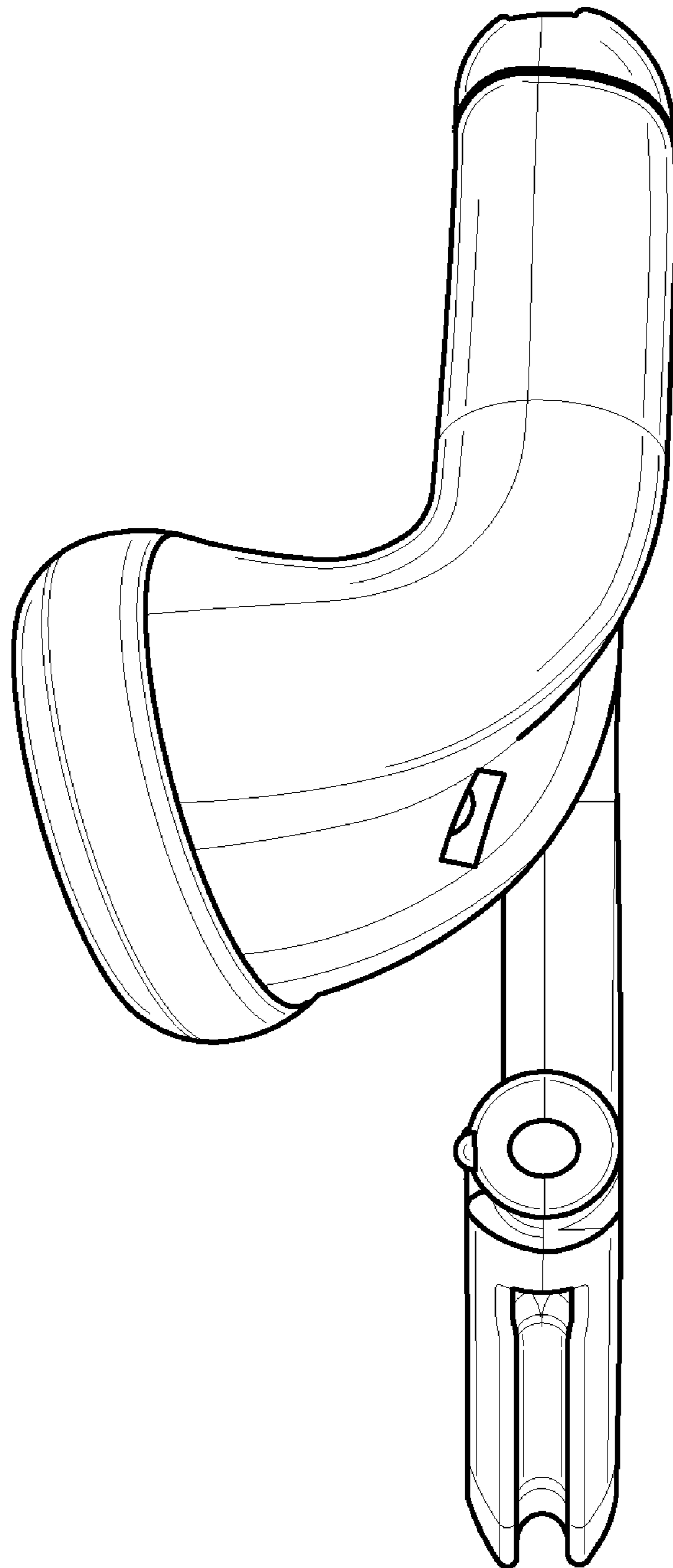


FIG. 7