



US00D639786S

(12) **United States Design Patent**  
**Lazzeroni et al.**

(10) **Patent No.:** **US D639,786 S**

(45) **Date of Patent:** **\*\* Jun. 14, 2011**

(54) **POLYGONAL SPEAKER GRILL**

(75) Inventors: **John J. Lazzeroni**, Tucson, AZ (US);  
**Melinda K. Carevich**, Tucson, AZ (US)

(73) Assignee: **J&M Corporation**, Tucson, AZ (US)

(\*\*) Term: **14 Years**

(21) Appl. No.: **29/365,786**

(22) Filed: **Jul. 14, 2010**

(51) **LOC (9) Cl.** ..... **14-01**

(52) **U.S. Cl.** ..... **D14/219**

(58) **Field of Classification Search** ..... D14/204,  
D14/210–216, 172; 181/143–144, 147–148,  
181/150–153, 157, 198–199; 381/300–303,  
381/306, 332–333, 336, 345, 361–364, 386–388

See application file for complete search history.

(56) **References Cited**

**U.S. PATENT DOCUMENTS**

D278,432 S	4/1985	Buck	
D280,818 S	10/1985	Clover, Jr.	
D281,065 S	10/1985	Katsuno	
D281,067 S	10/1985	Katsuno	
D291,079 S	7/1987	Ohtsuji	
D292,091 S	9/1987	Keitoku	
D302,818 S	8/1989	Camens	
D302,980 S *	8/1989	Van de Ven	..... D14/219
5,565,659 A *	10/1996	Moner et al.	..... 181/150
D425,900 S	5/2000	Chu	
D567,228 S	4/2008	Lazzeroni et al.	
D571,791 S	6/2008	Lazzeroni et al.	
D579,920 S	11/2008	Lazzeroni et al.	
D579,921 S	11/2008	Lazzeroni et al.	

**OTHER PUBLICATIONS**

Harley-Davidson USA, Accessories and Apparel, Genuine Motor Accessories, Model No. 77181-10, Boom! Audio™ High Performance Boom! Bagger Fairing Speakers; www.harley-davidson.com/gma/gma\_product.jsp, Aug. 21, 2009.

\* cited by examiner

*Primary Examiner* — Nanda Bondade

(74) *Attorney, Agent, or Firm* — Gavin J. Milczarek-Desai; Quarles & Brady LLP

(57) **CLAIM**

The ornamental design for a polygonal speaker grill, as shown and described.

**DESCRIPTION**

FIG. 1 is a top perspective view of the polygonal speaker grill design.

FIG. 2 is a bottom perspective view of the polygonal speaker grill design.

FIGS. 3, 4, and 5 are front elevational views of the polygonal speaker grill design showing the slats present on the grill being horizontally, vertically, or diagonally positioned, respectively.

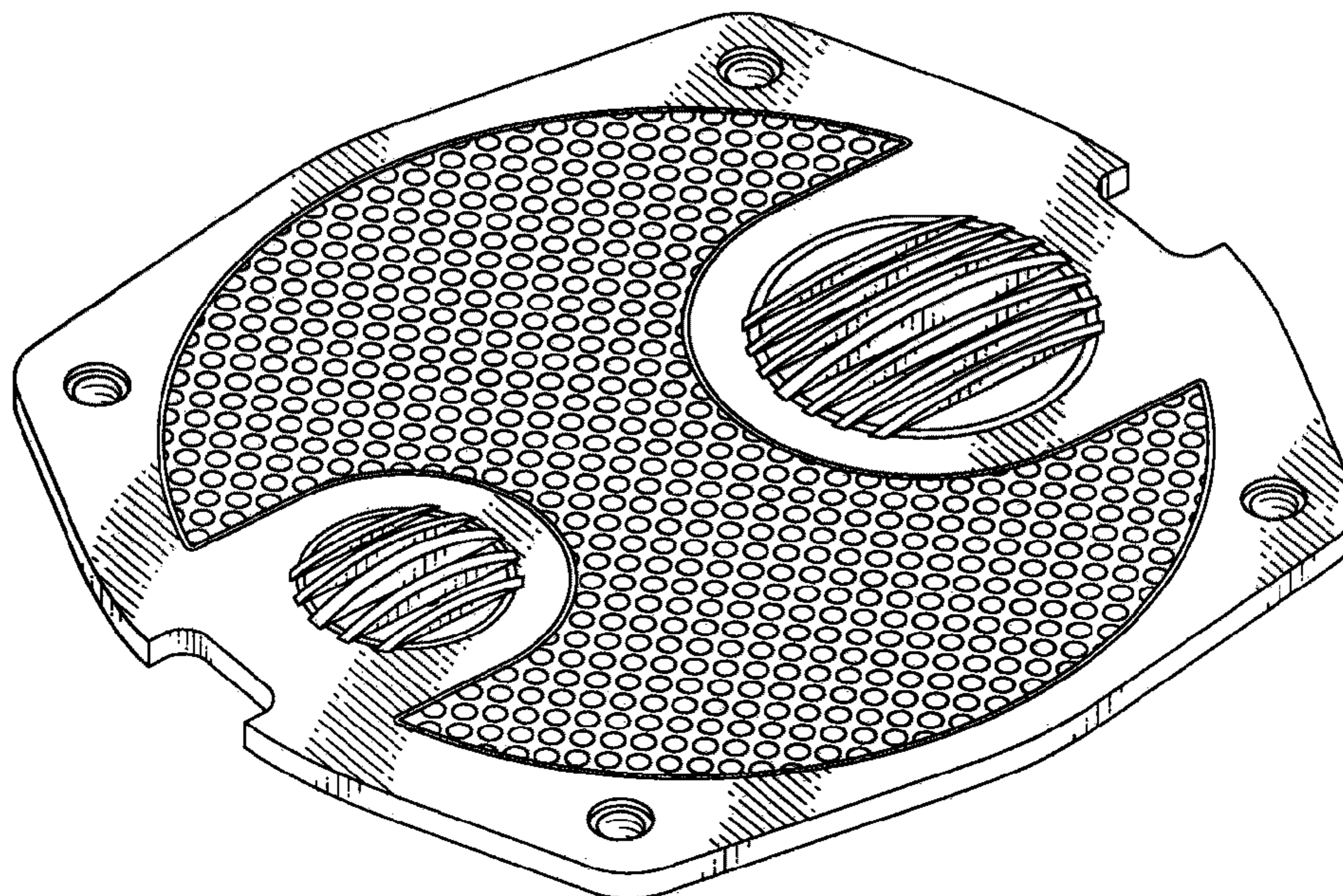
FIG. 6 is a rear elevational view of the polygonal speaker grill design.

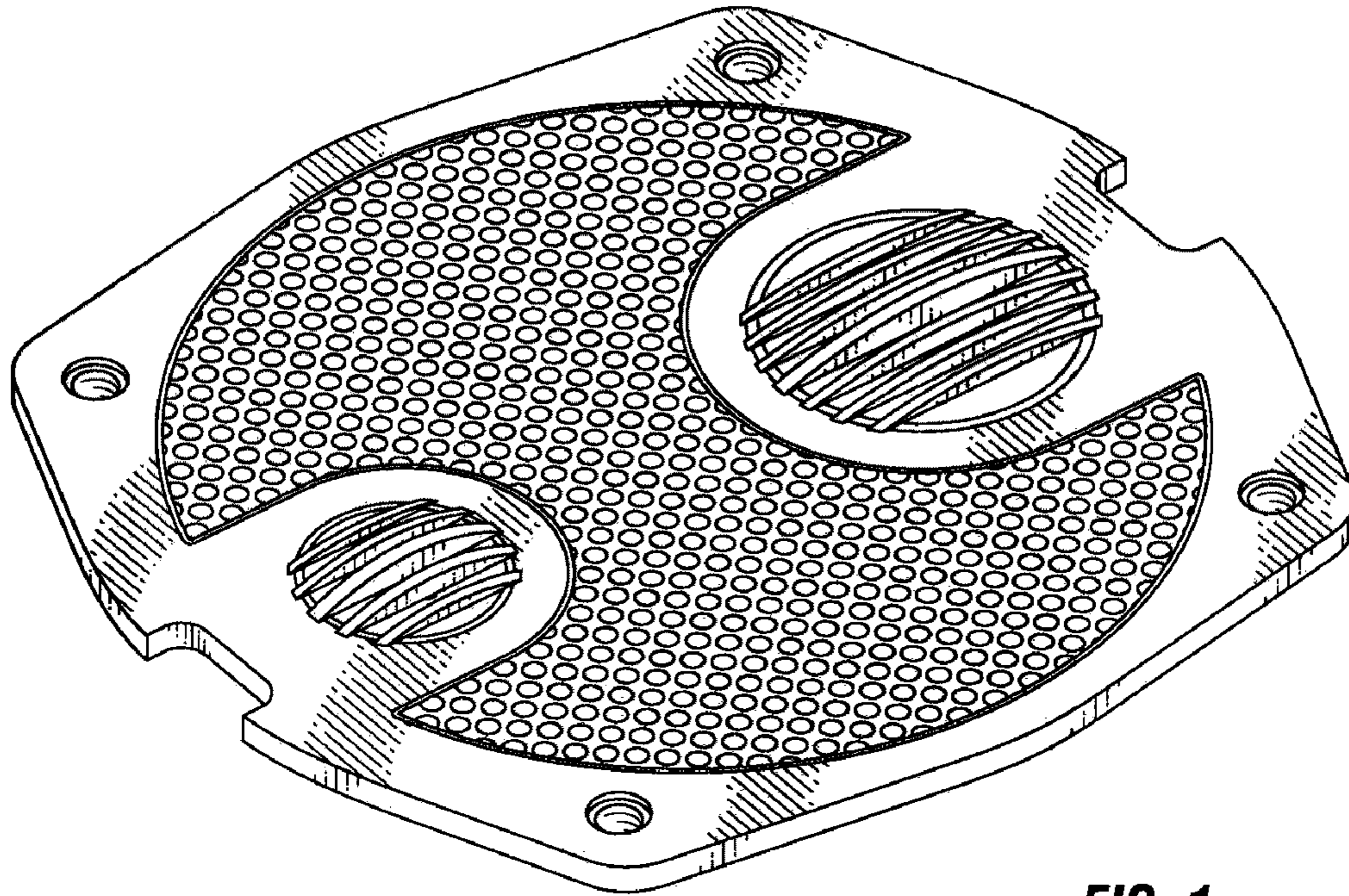
FIG. 7 is a right side elevational view of FIG. 3, with the right side elevational views of FIGS. 4 and 5 (not shown) differing only in the vertical or diagonal position of the slats, respectively; and,

FIG. 8 is a left side elevational view of FIG. 3, with the left side elevational views of FIGS. 4 and 5 (not shown) differing only in the vertical or diagonal position of the slats, respectively.

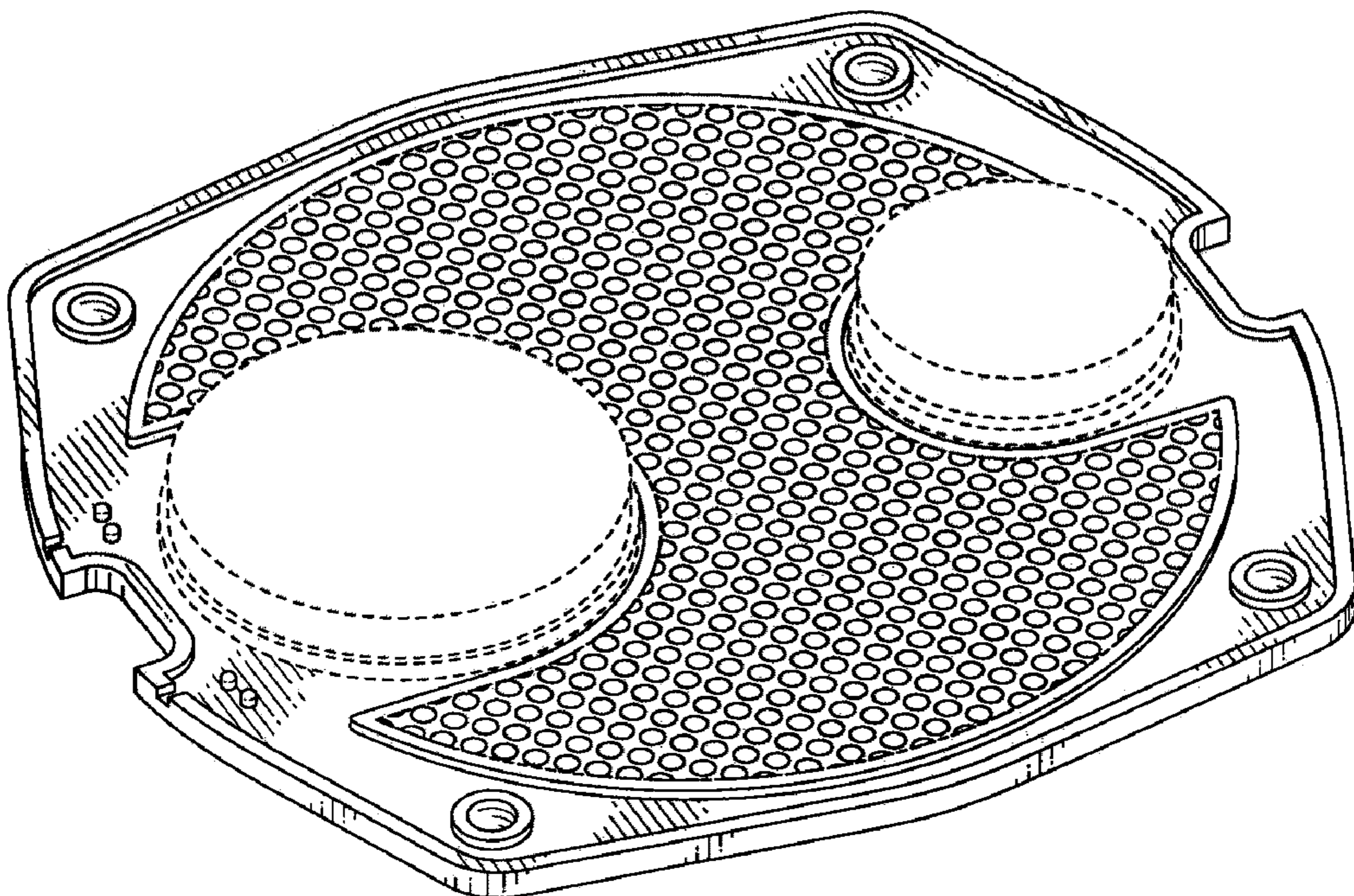
The broken line showing on the drawing disclosure is for illustrative purposes only and forms no part of the claimed design.

**1 Claim, 3 Drawing Sheets**

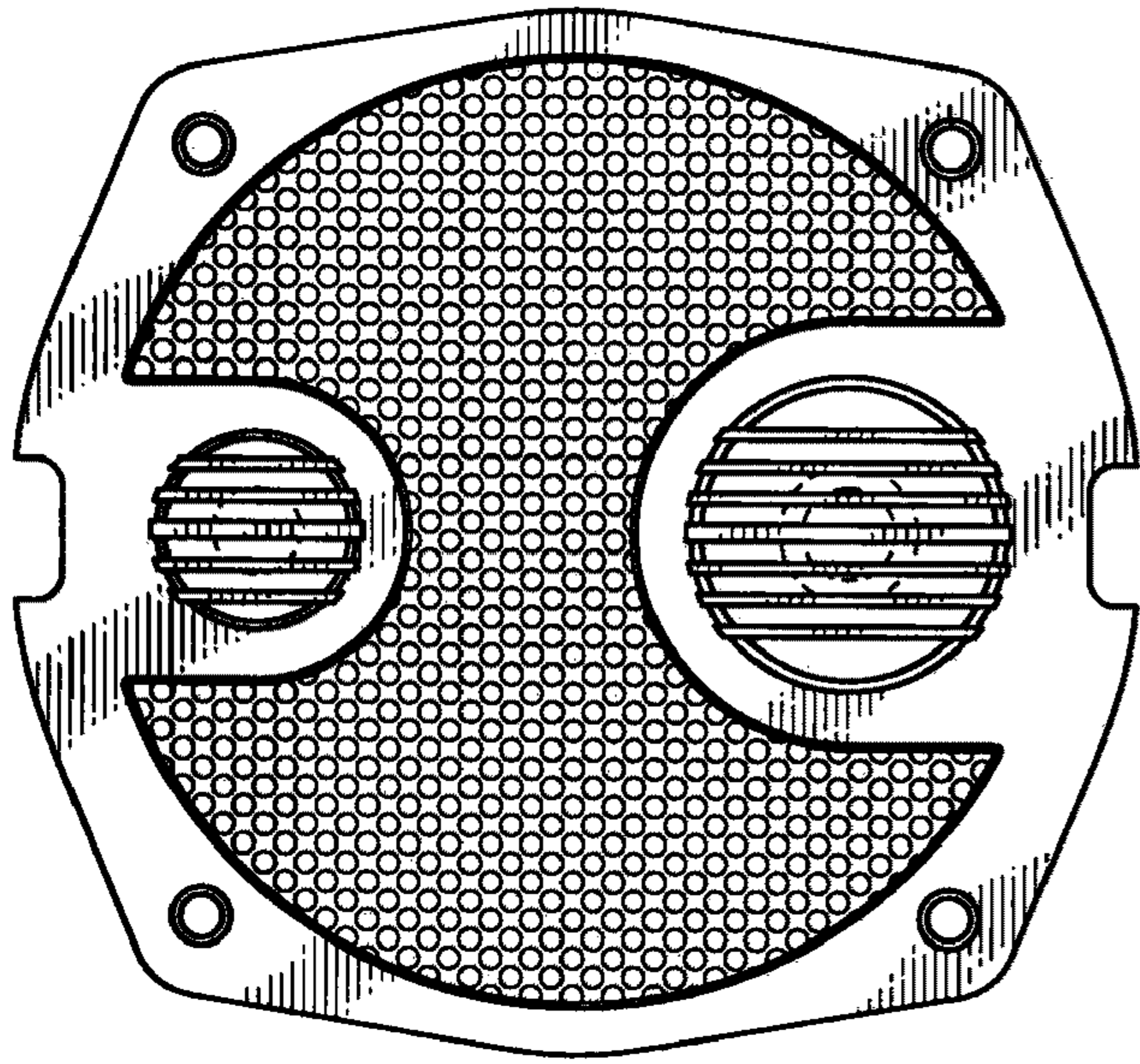




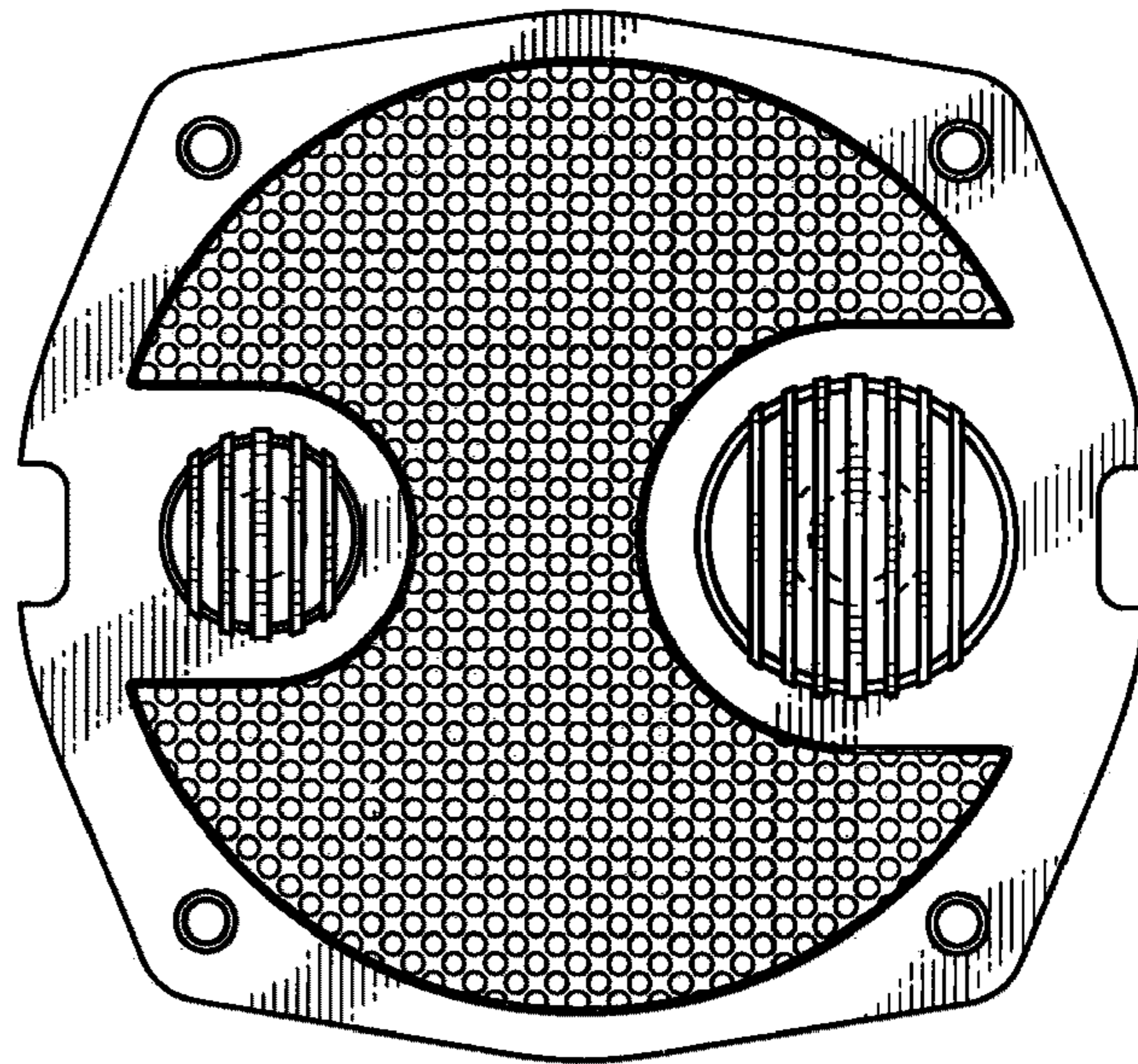
**FIG. 1**



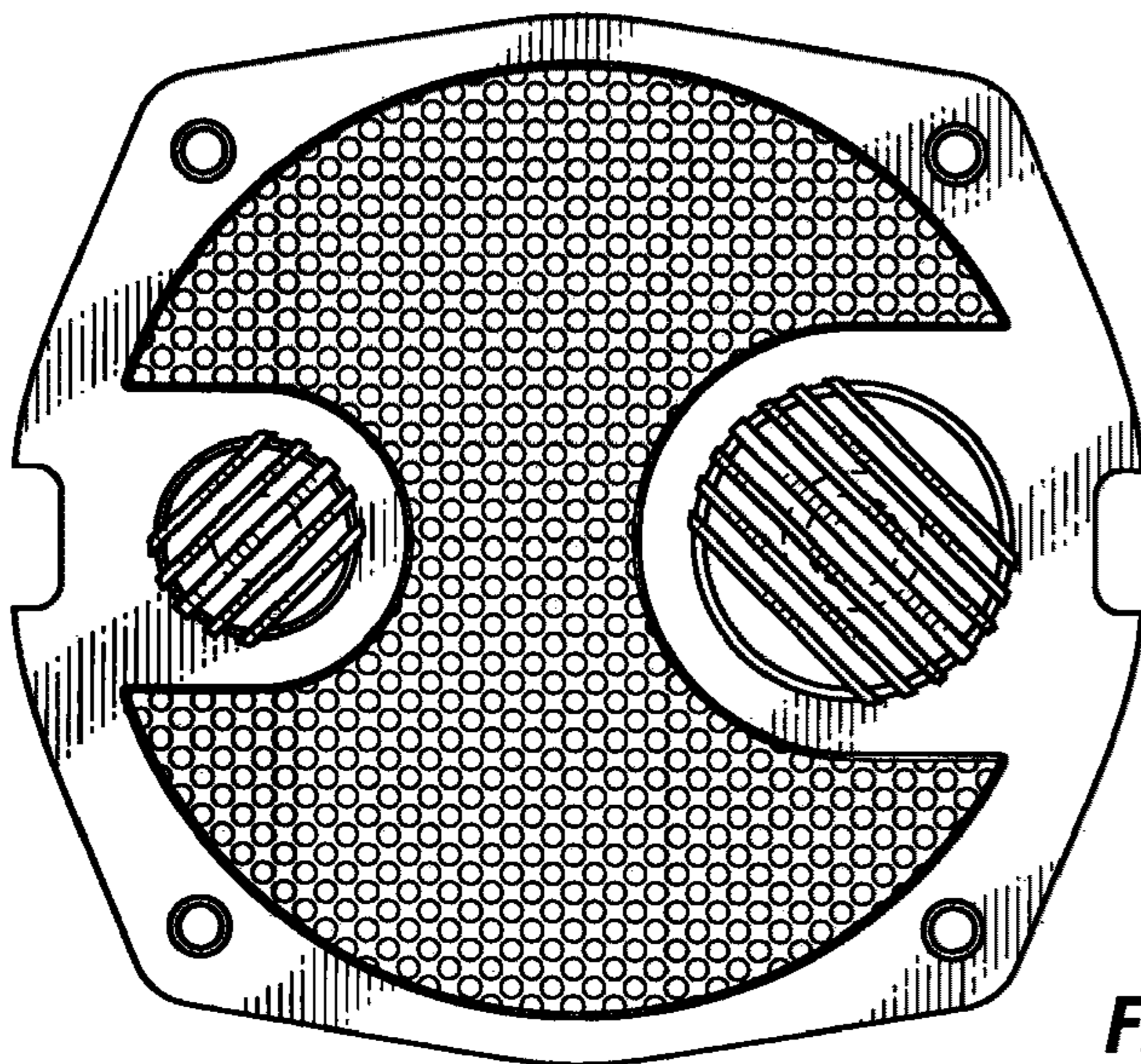
**FIG. 2**



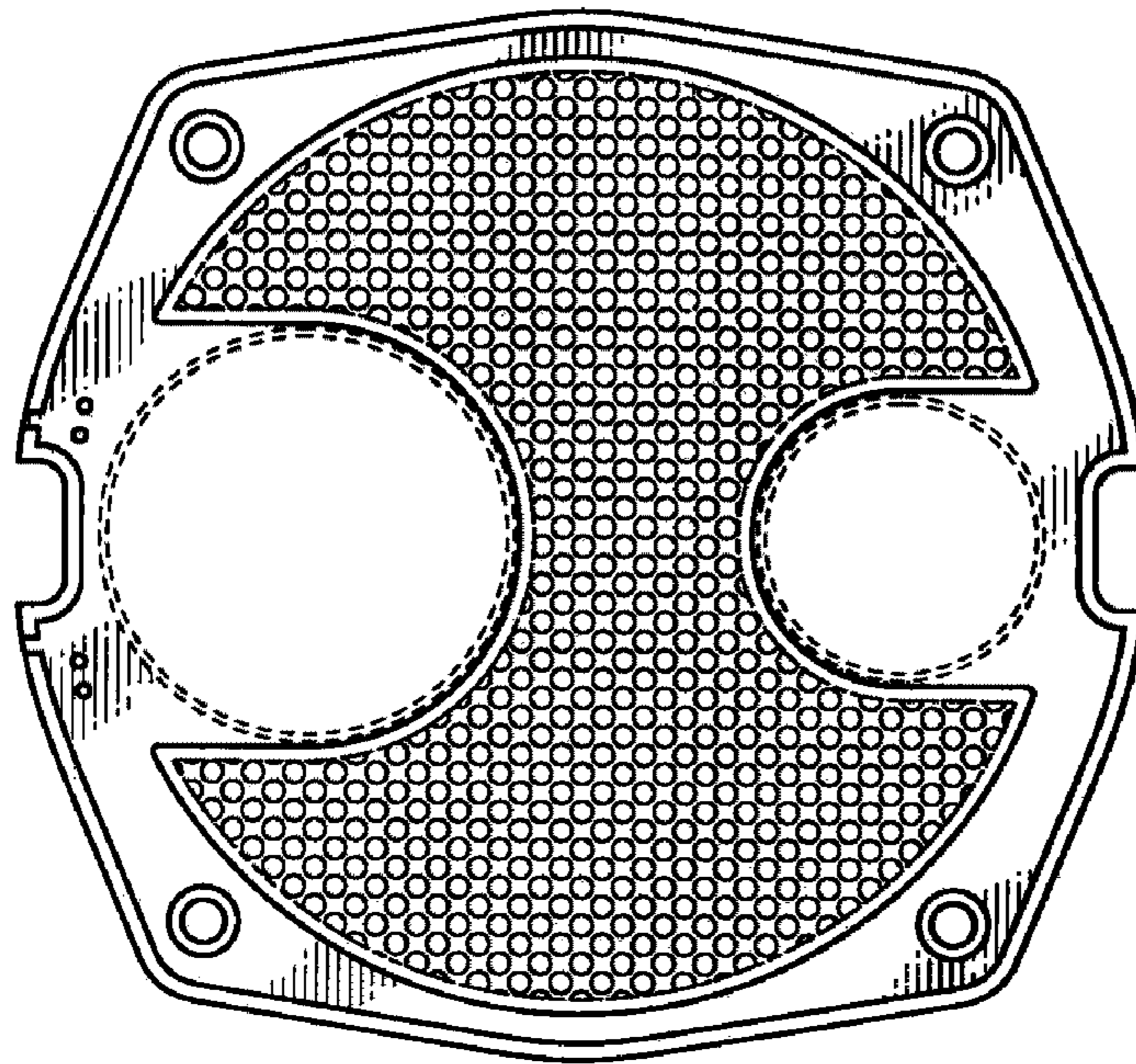
**FIG. 3**



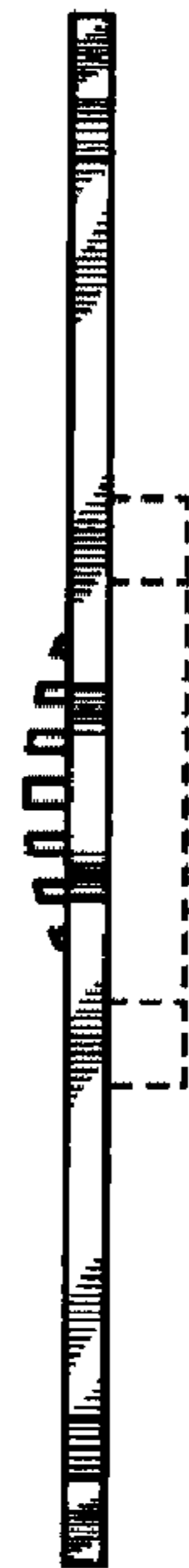
**FIG. 4**



**FIG. 5**



**FIG. 6**



**FIG. 7**



**FIG. 8**