



US00D639784S

(12) **United States Design Patent**
Murayama et al.

(10) **Patent No.:** **US D639,784 S**
(45) **Date of Patent:** **** Jun. 14, 2011**

(54) **REMOTE CONTROLLER**

(75) Inventors: **Kanako Murayama**, Takatsuki (JP);
Shingo Ishihara, Osaka (JP); **Tsuyoshi**
Kadono, Hirakata (JP)

(73) Assignee: **Panasonic Electric Works Co., Ltd.**,
Kadoma-shi (JP)

(**) Term: **14 Years**

(21) Appl. No.: **29/381,455**

(22) Filed: **Dec. 20, 2010**

(30) **Foreign Application Priority Data**

Jun. 30, 2010 (JP) 2010-016091

(51) **LOC (9) Cl.** **14-03**

(52) **U.S. Cl.** **D14/218**

(58) **Field of Classification Search** D14/218,
D14/455; D13/168; D21/566; D10/104,
D10/106; 345/169; 348/14.05, 114, 211.99,
348/734; 340/825.24; 341/22; 455/92, 95,
455/128, 151.1–151.4, 352, 355, FOR. 121;
700/65

See application file for complete search history.

(56) **References Cited**

U.S. PATENT DOCUMENTS

D262,464 S *	12/1981	Vernon, Jr.	D21/324
D327,690 S *	7/1992	Ogawa et al.	D14/230
D331,060 S *	11/1992	Emmons et al.	D14/218
D382,307 S *	8/1997	Sharpe et al.	D21/405
D418,837 S *	1/2000	Ishii	D14/218
D487,454 S *	3/2004	Wang et al.	D14/247
D496,004 S *	9/2004	Borsboom	D13/168
D526,973 S *	8/2006	Gates et al.	D13/184
D533,513 S *	12/2006	Marchetto et al.	D13/168

D542,280 S *	5/2007	Taylor	D14/218
D551,632 S *	9/2007	Kim	D13/168
D561,113 S *	2/2008	Samhammer et al.	D13/162
D591,914 S *	5/2009	Witham	D30/199
D595,670 S *	7/2009	Glassman et al.	D13/168
D601,564 S *	10/2009	Maeno	D14/400
D602,915 S *	10/2009	Song et al.	D14/218
D603,022 S *	10/2009	Schonherr et al.	D23/245
D606,979 S *	12/2009	Henry	D14/218
D625,295 S *	10/2010	Nogueira et al.	D14/218
D627,306 S *	11/2010	Charleux	D13/168
D632,265 S *	2/2011	Choi et al.	D13/168

* cited by examiner

Primary Examiner — Celia Murphy

Assistant Examiner — John Windmuller

(74) *Attorney, Agent, or Firm* — Marvin A. Motsenbocker;
Mots Law, PLLC

(57) **CLAIM**

The ornamental design for a remote controller, as shown and described.

DESCRIPTION

FIG. 1 is a front perspective view of a remote controller;
FIG. 2 is a front view thereof;
FIG. 3 is a left side view thereof;
FIG. 4 is a top plan view thereof;
FIG. 5 is a bottom plan view thereof;
FIG. 6 is a right side view thereof;
FIG. 7 is a rear view thereof;
FIG. 8 is a sectional view thereof taken along line 8—8 of
FIG. 2; and,
FIG. 9 is a sectional view thereof taken along line 9—9 of
FIG. 2.

The internal portions in broken lines in FIGS. 8 and 9 form no part of the claimed design.

1 Claim, 9 Drawing Sheets

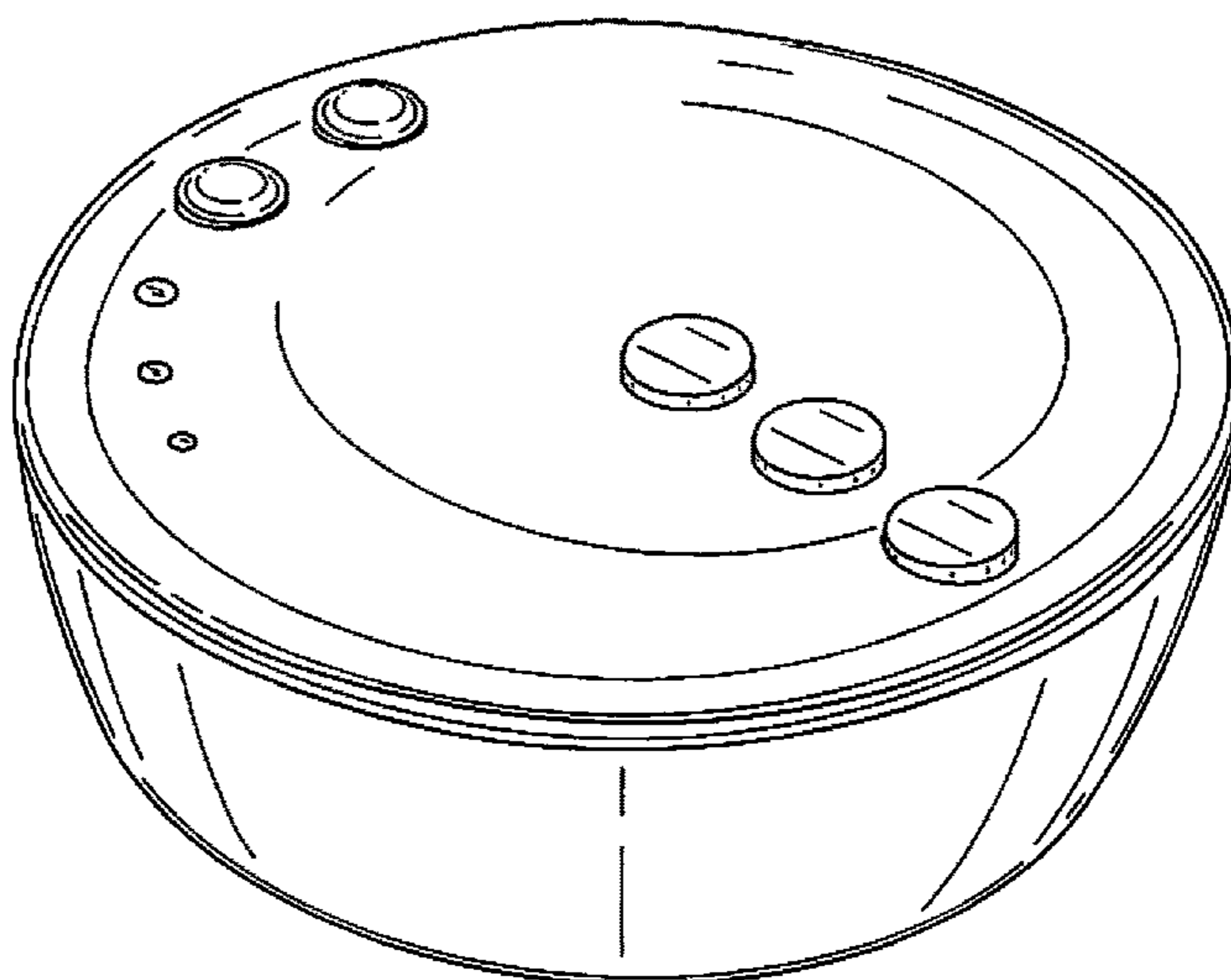


Fig. 1

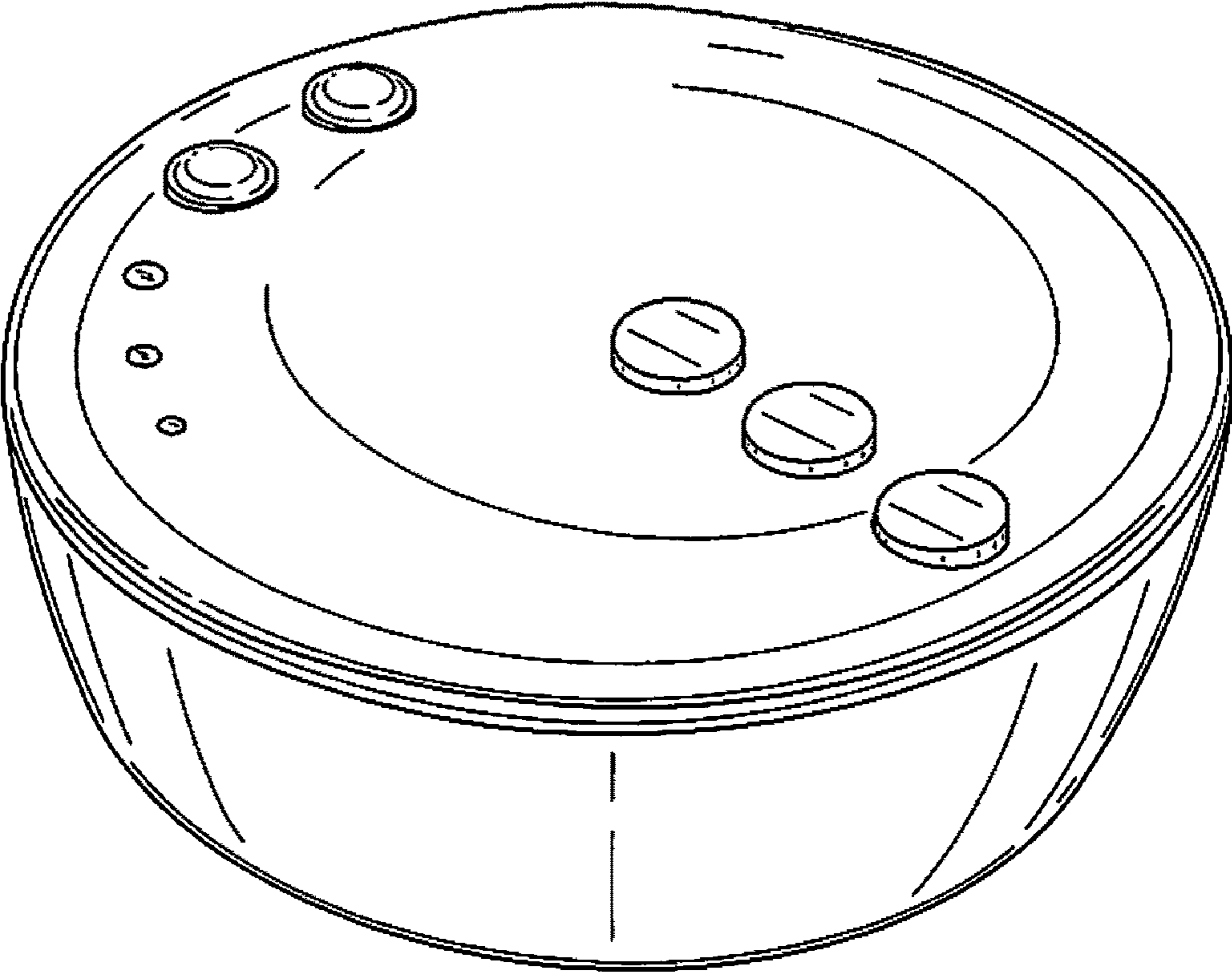


Fig.2

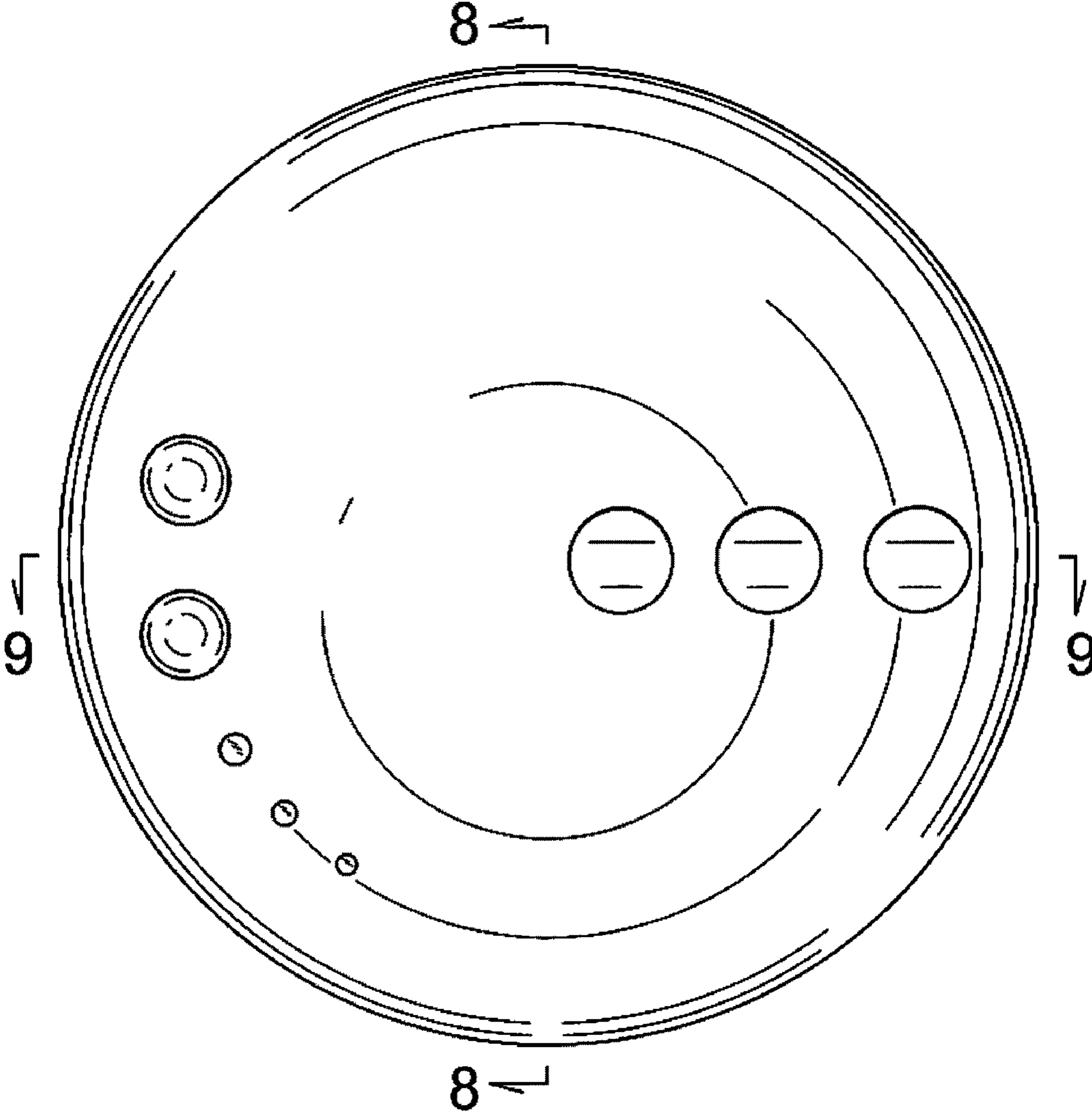


Fig.3

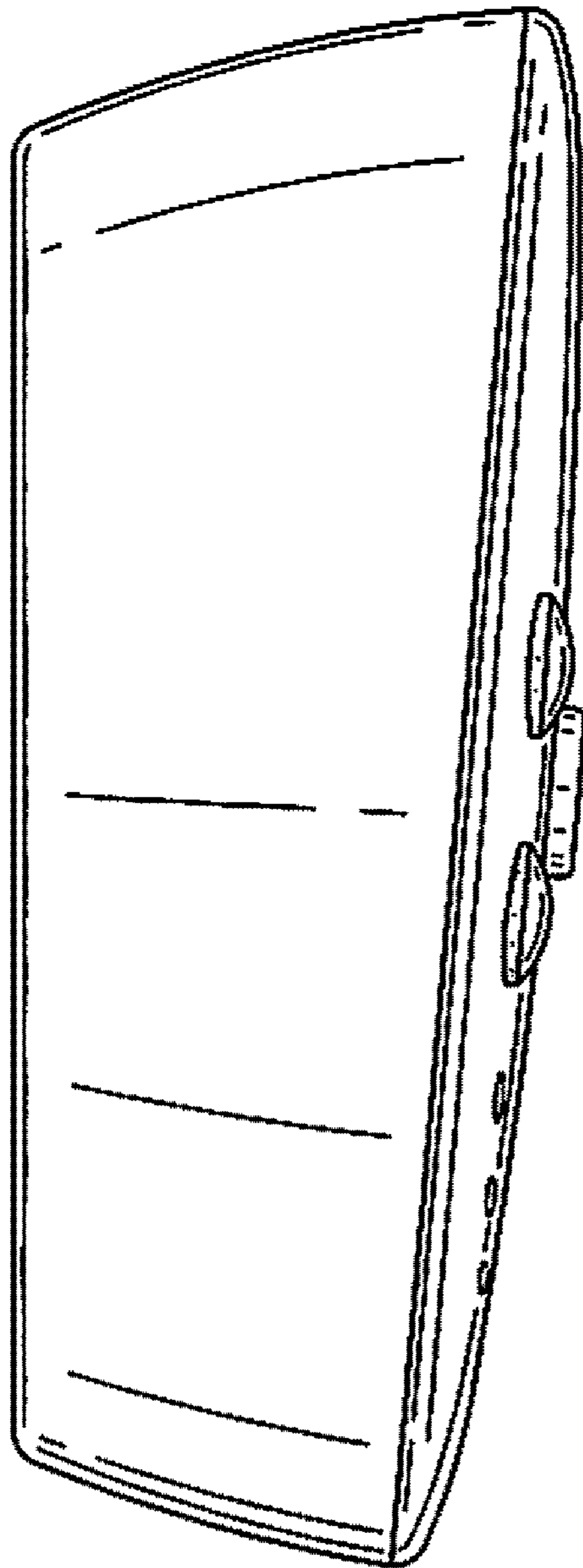


Fig.4

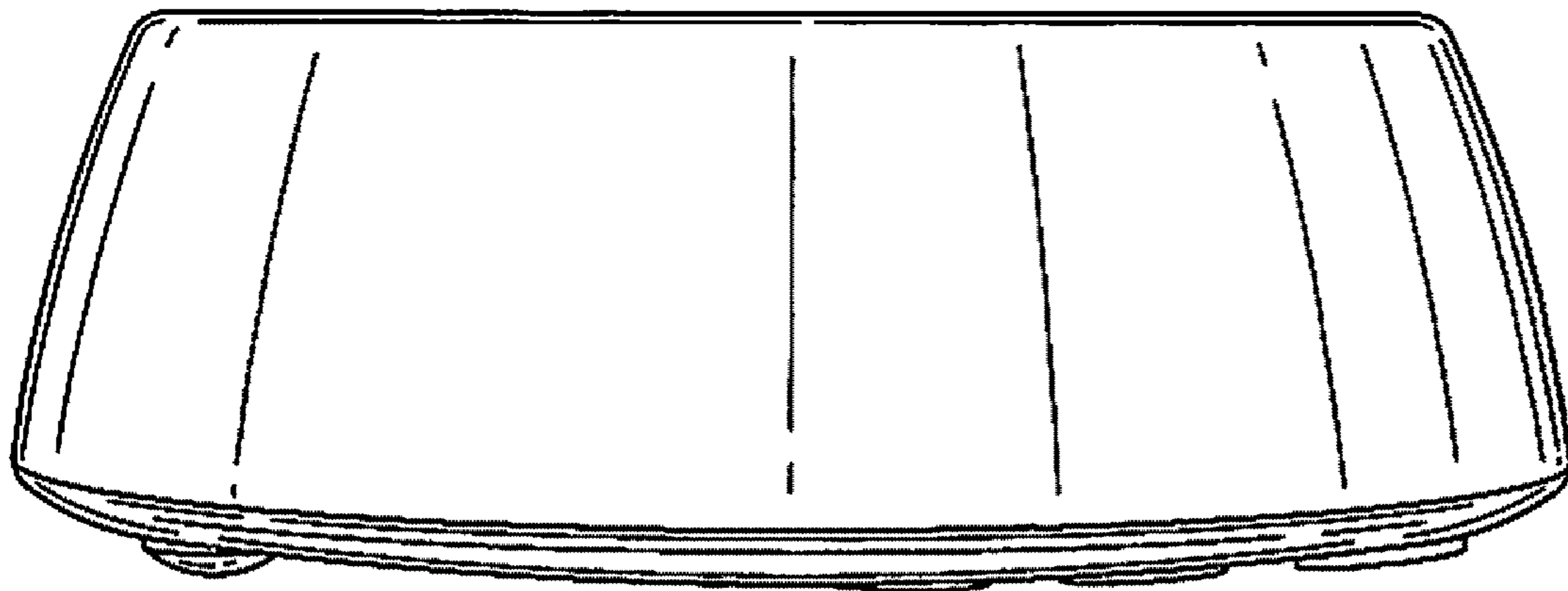


Fig.5

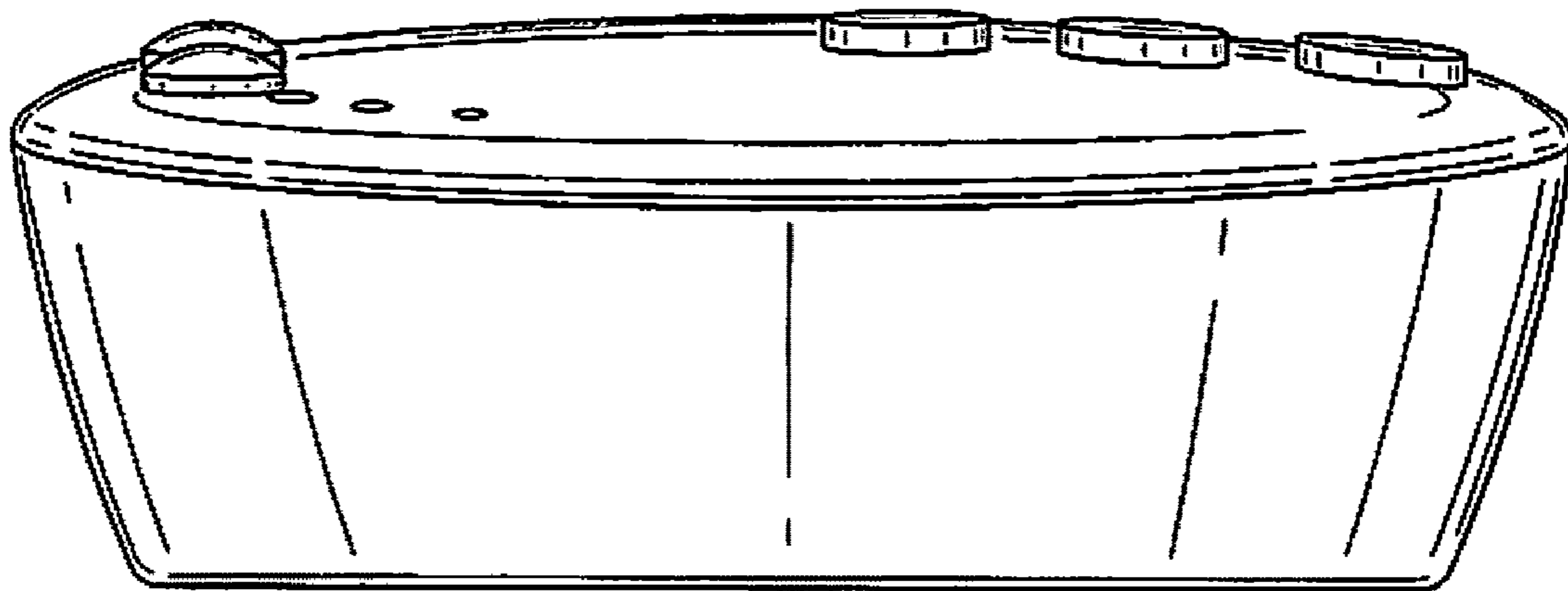


Fig.6

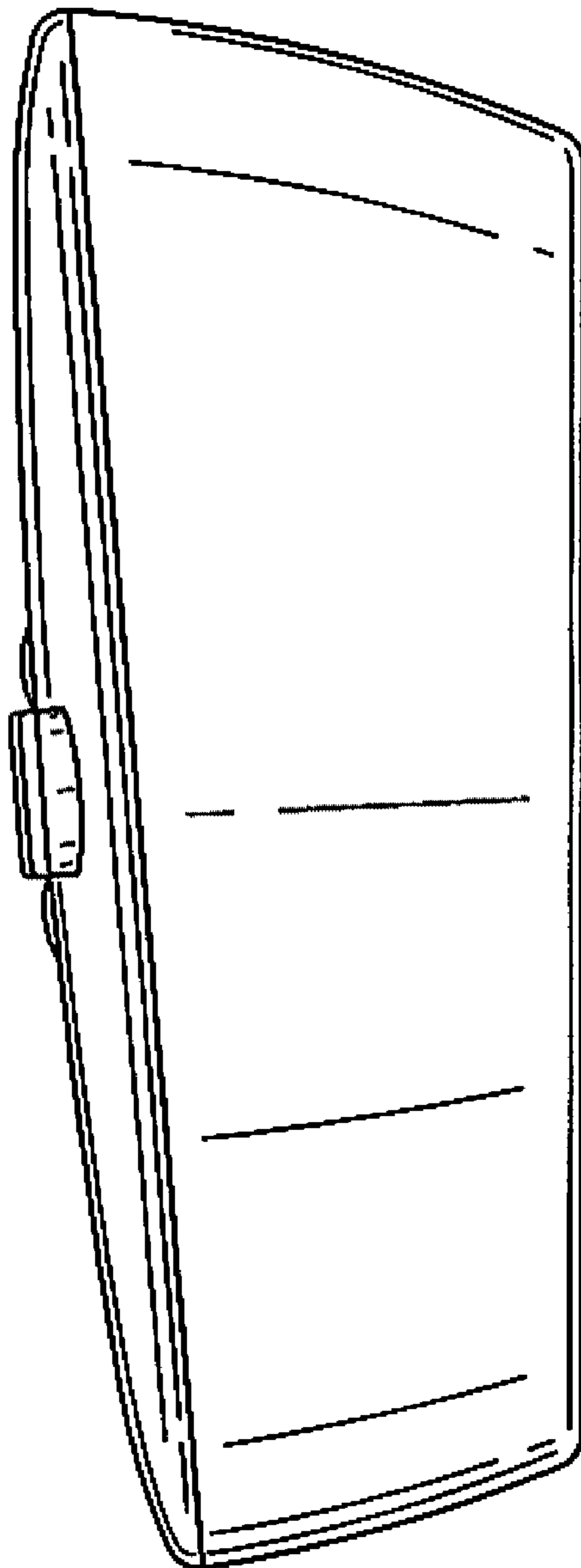


Fig.7

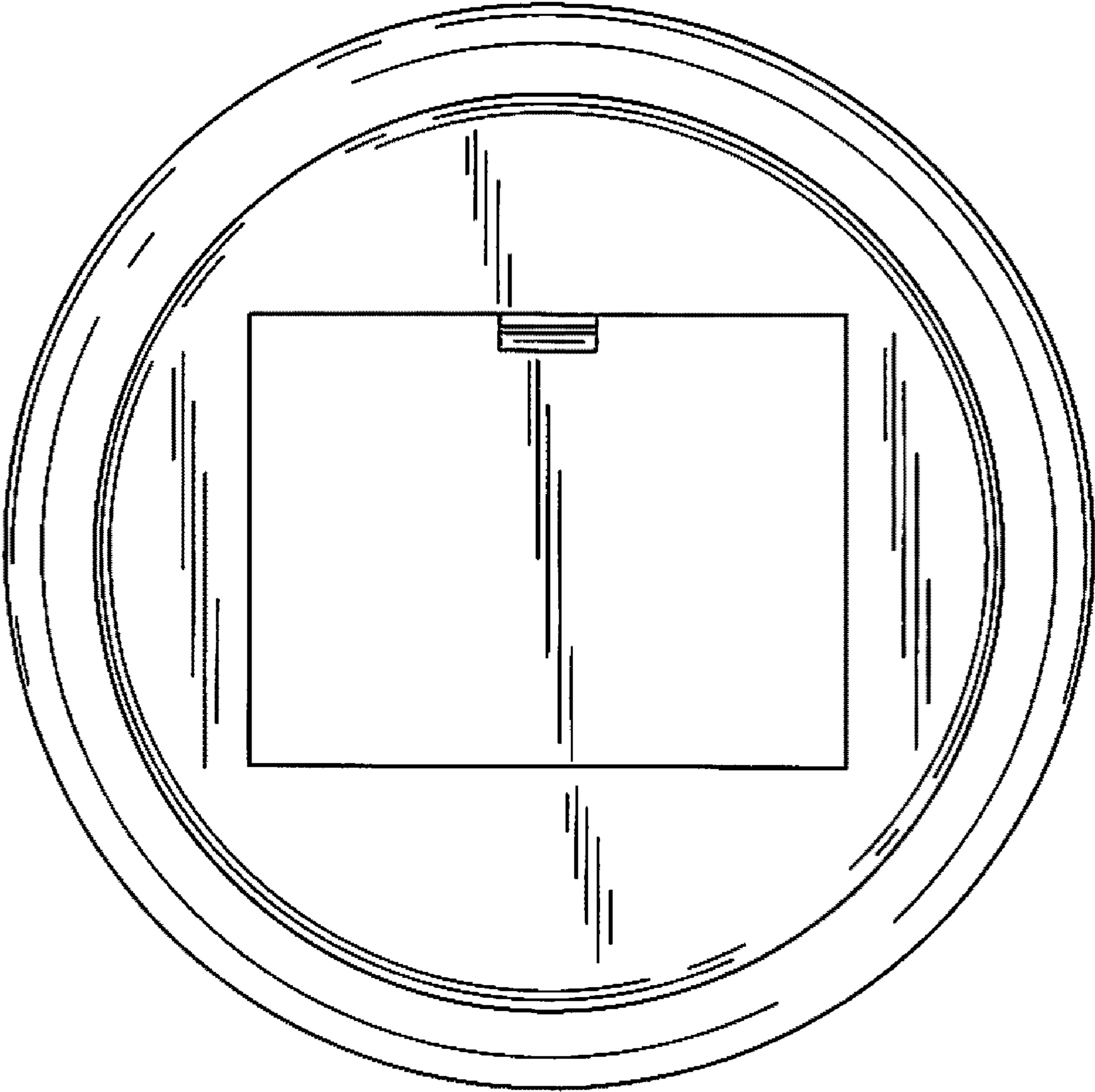


Fig.8

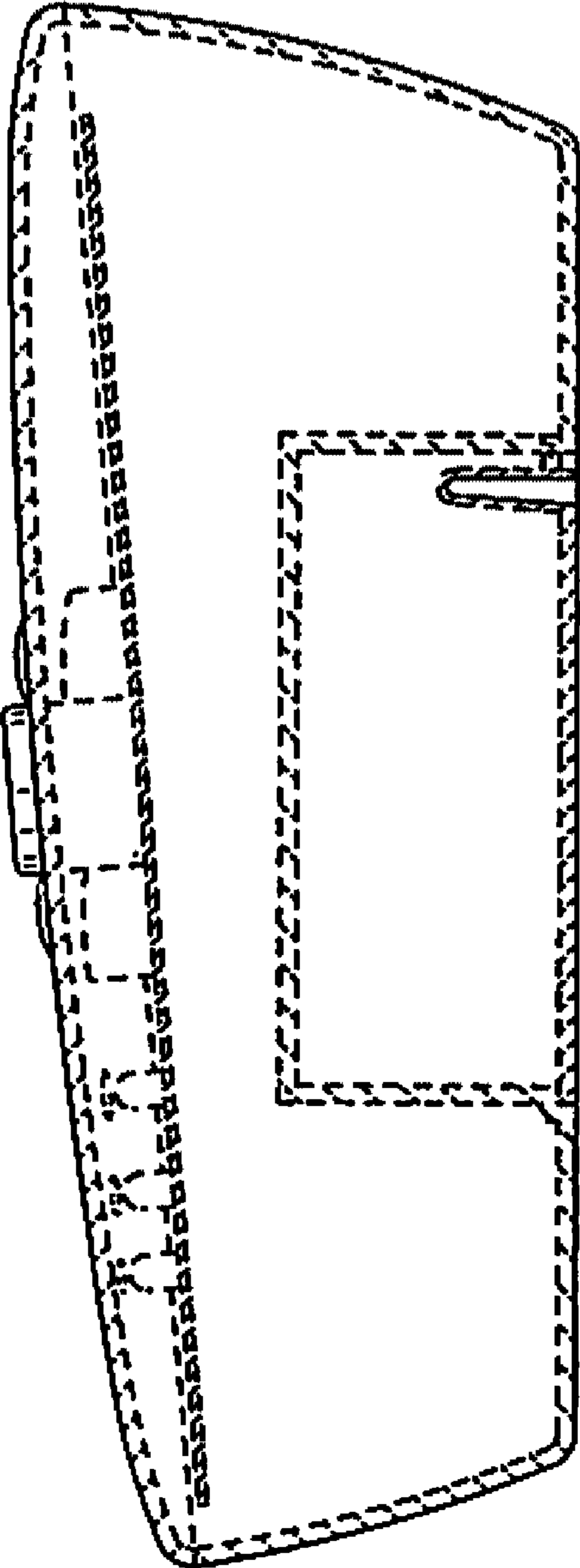


Fig.9

