



US00D639779S

(12) **United States Design Patent**  
**Chen**

(10) **Patent No.:** **US D639,779 S**

(45) **Date of Patent:** **\*\* Jun. 14, 2011**

(54) **PORTABLE SPEAKER**

(75) Inventor: **Chun-Hung Chen**, Tu-Cheng (TW)

(73) Assignee: **Cheng Uei Precision Industry Co., Ltd.**, Tu-Cheng, Taipei Hsien (TW)

(\*\*) Term: **14 Years**

(21) Appl. No.: **29/357,431**

(22) Filed: **Mar. 11, 2010**

(51) **LOC (9) Cl.** ..... **14-01**

(52) **U.S. Cl.** ..... **D14/216**

(58) **Field of Classification Search** ..... D14/204,  
D14/210–216, 172; 181/143–144, 147–148,  
181/150–153, 157, 198–199; 381/300–303,  
381/306, 332–333, 336, 345, 361–364, 386–388  
See application file for complete search history.

(56) **References Cited**

**U.S. PATENT DOCUMENTS**

D288,560 S \* 3/1987 Anderson ..... D14/212  
5,319,164 A \* 6/1994 Shen ..... 181/150  
D542,273 S \* 5/2007 Park et al. .... D14/215

D548,224 S \* 8/2007 Taylor ..... D14/216  
D566,102 S \* 4/2008 Matsuoka ..... D14/216  
D585,426 S \* 1/2009 Li ..... D14/216

\* cited by examiner

*Primary Examiner* — Nanda Bondade

(74) *Attorney, Agent, or Firm* — Cheng-Ju Chiang

(57) **CLAIM**

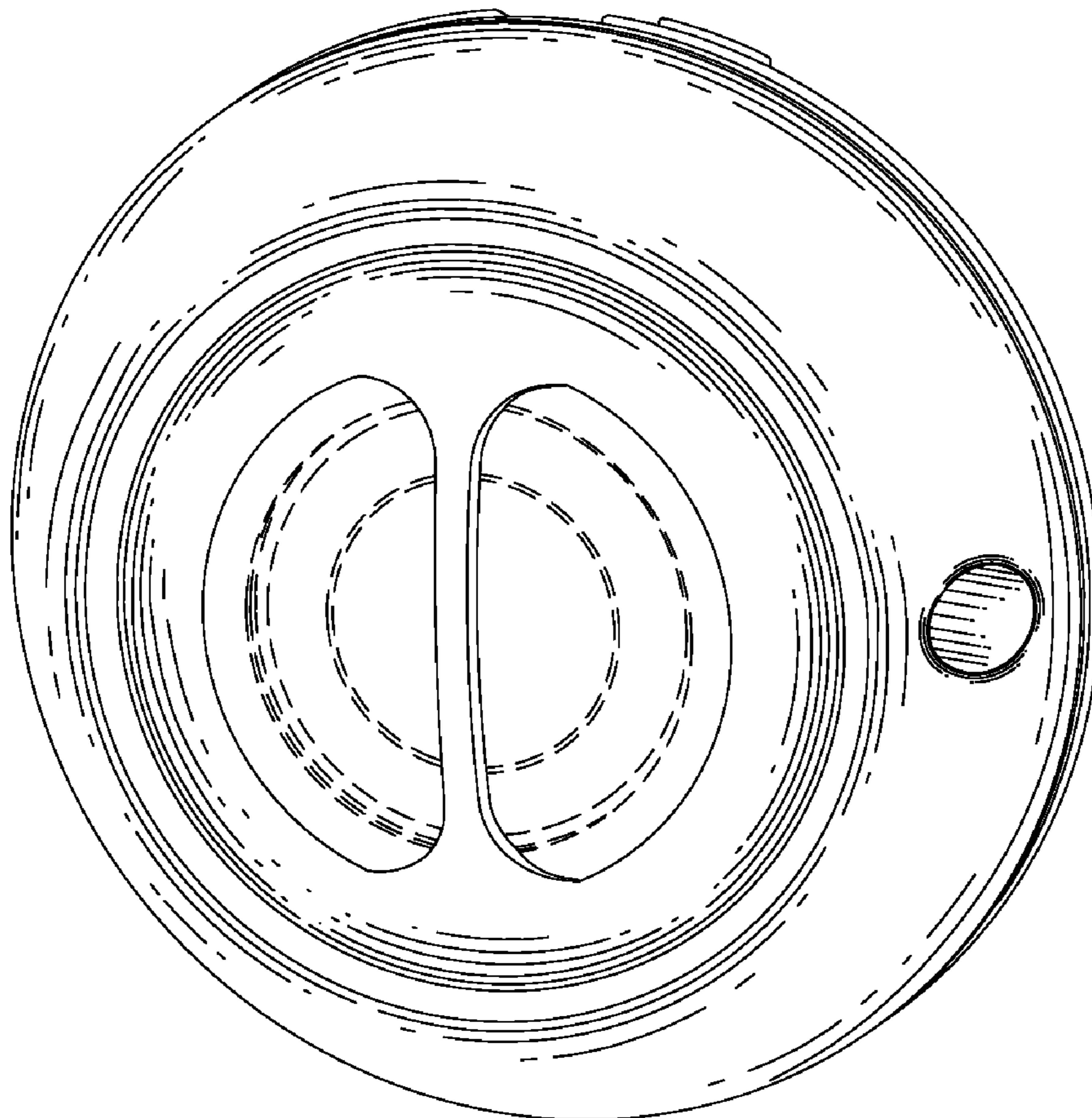
The ornamental design for a portable speaker, as shown and described.

**DESCRIPTION**

FIG. 1 is a perspective view of a portable speaker showing my new design;  
FIG. 2 is a front elevational view thereof;  
FIG. 3 is a rear elevational view thereof;  
FIG. 4 is a left side elevational view thereof;  
FIG. 5 is a right side elevational view thereof;  
FIG. 6 is a top plan view thereof; and,  
FIG. 7 is a bottom plan view thereof.

The broken lines in the Figures are for environmental purposes and form no part of the claimed designs.

**1 Claim, 7 Drawing Sheets**



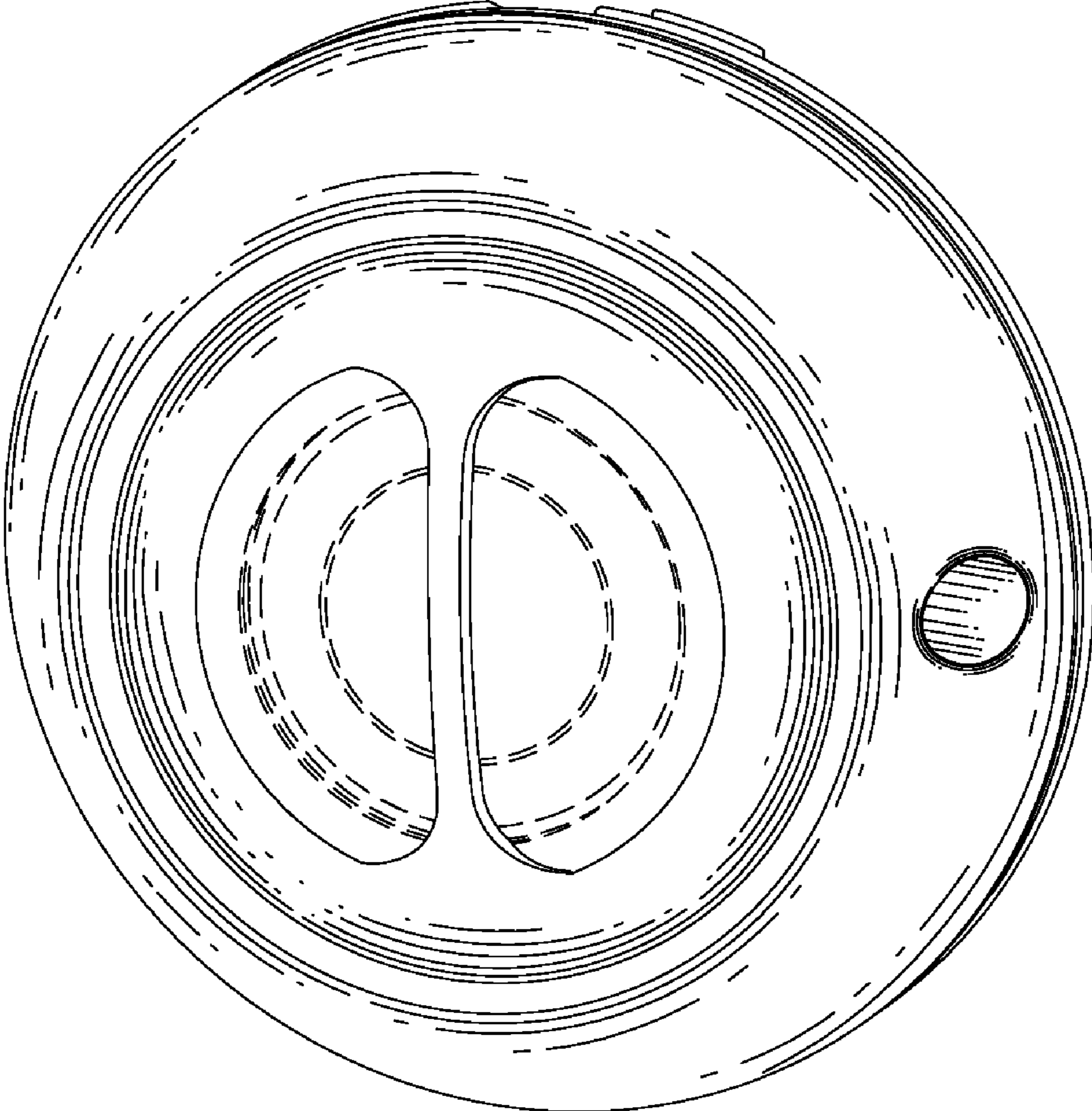


FIG. 1

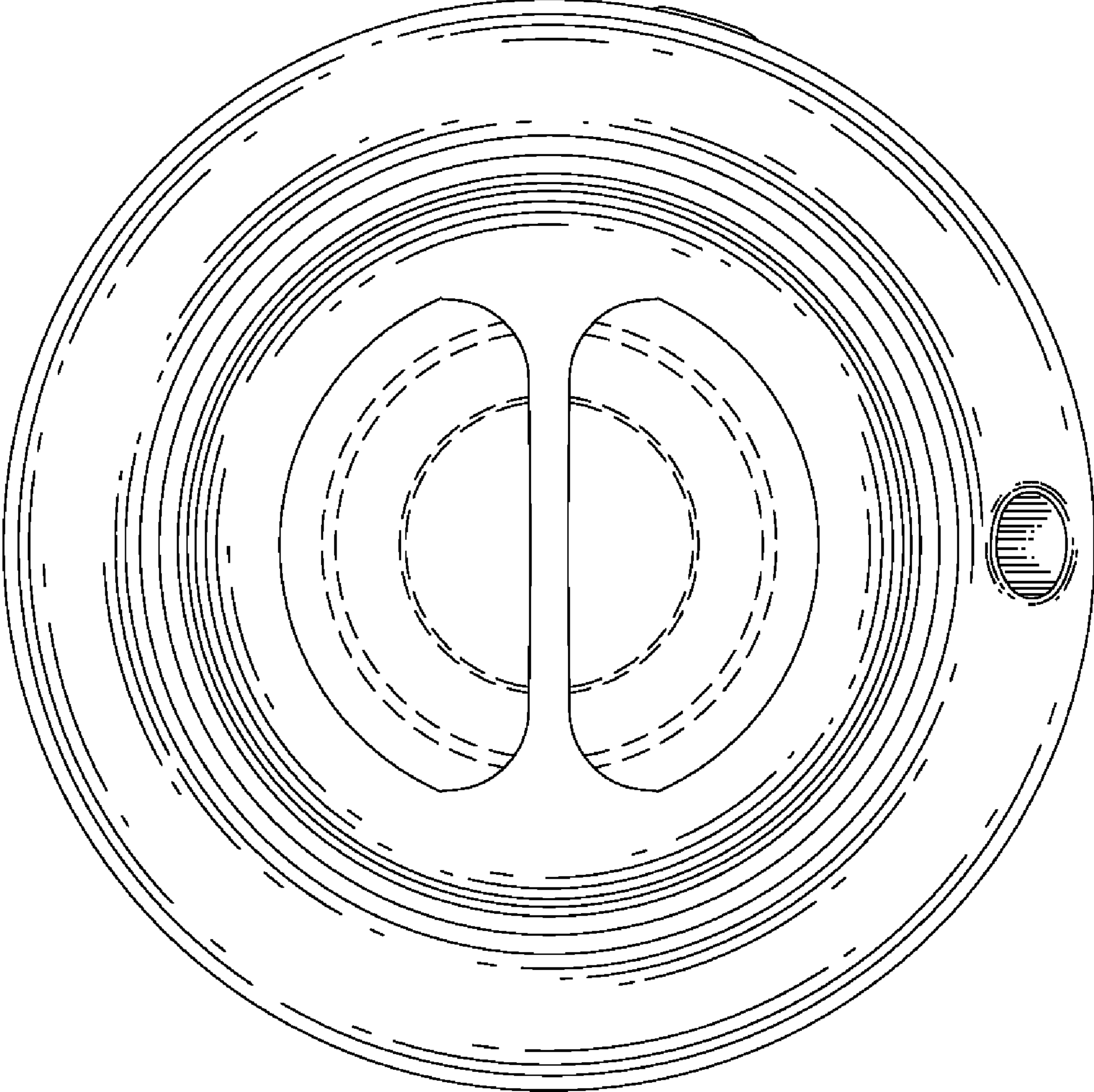


FIG. 2

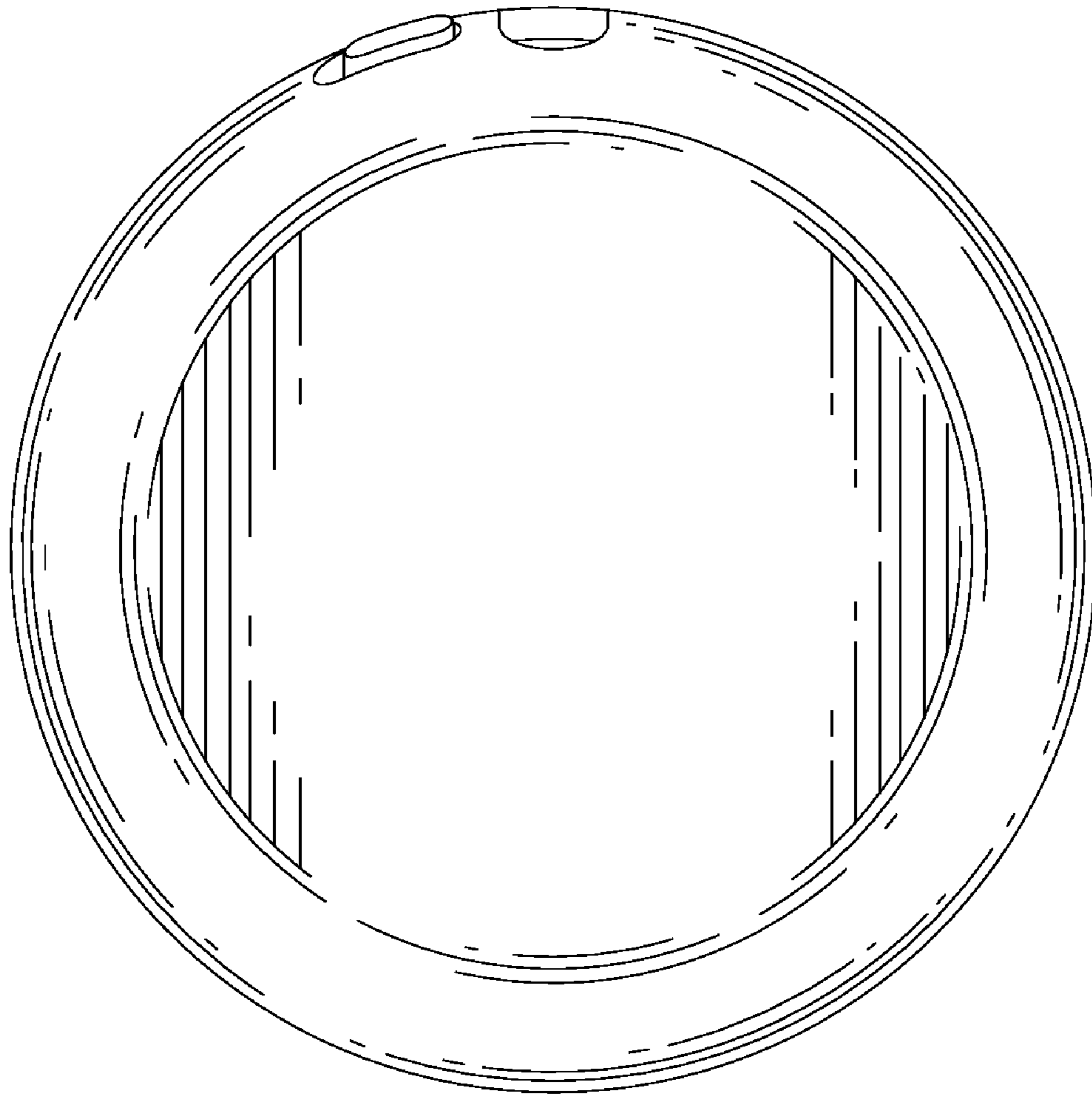


FIG. 3

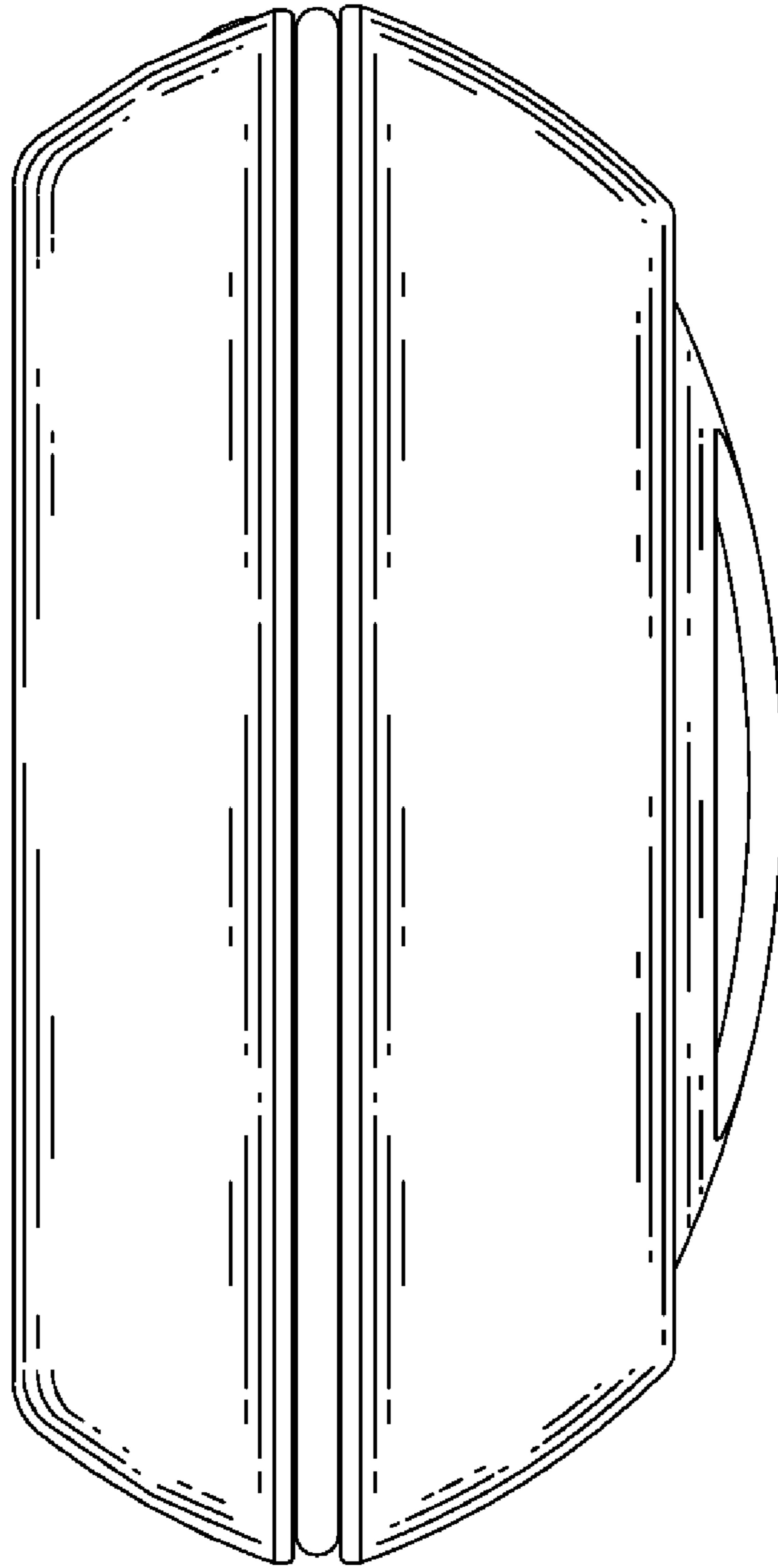


FIG. 4

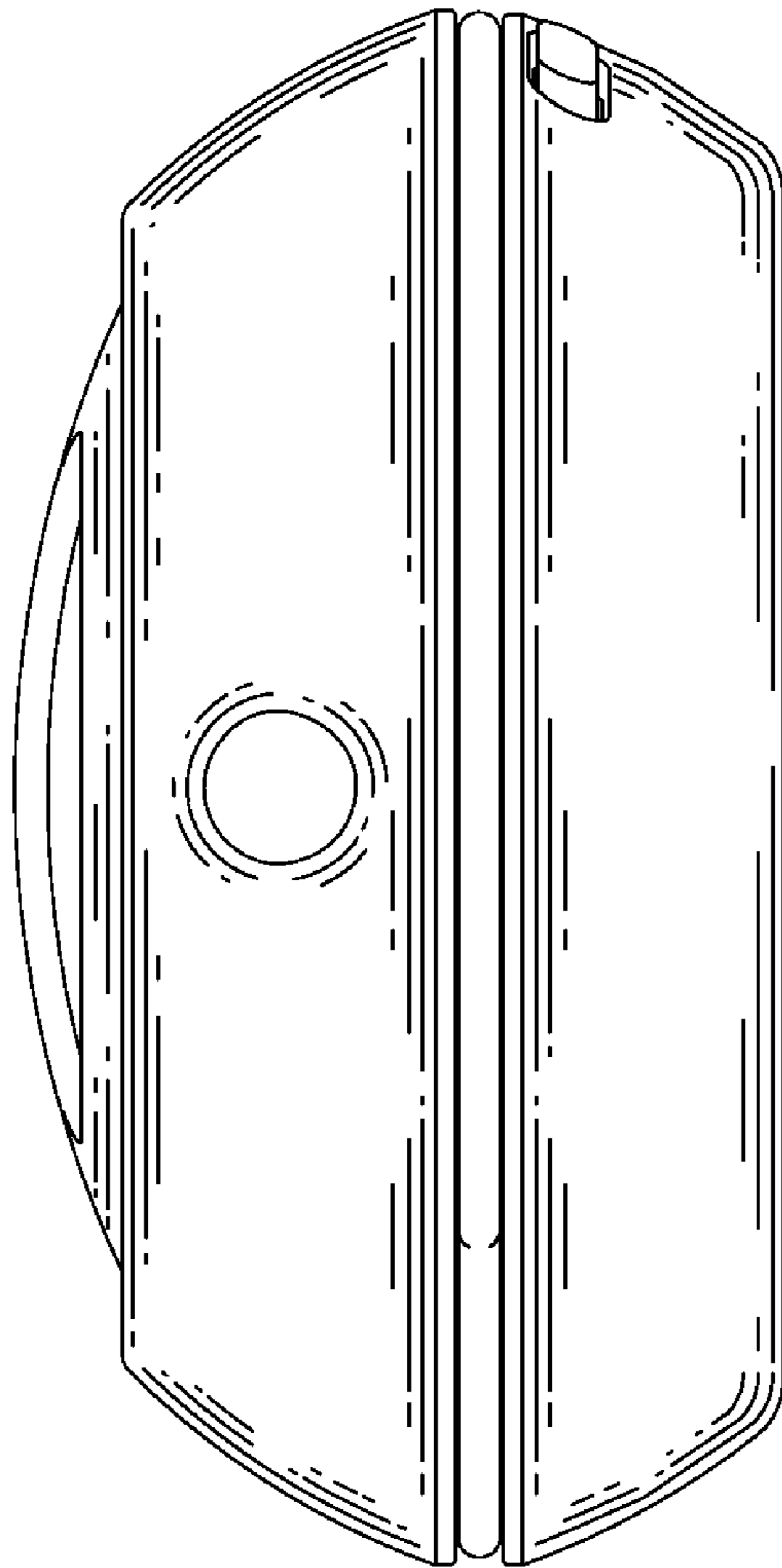


FIG. 5

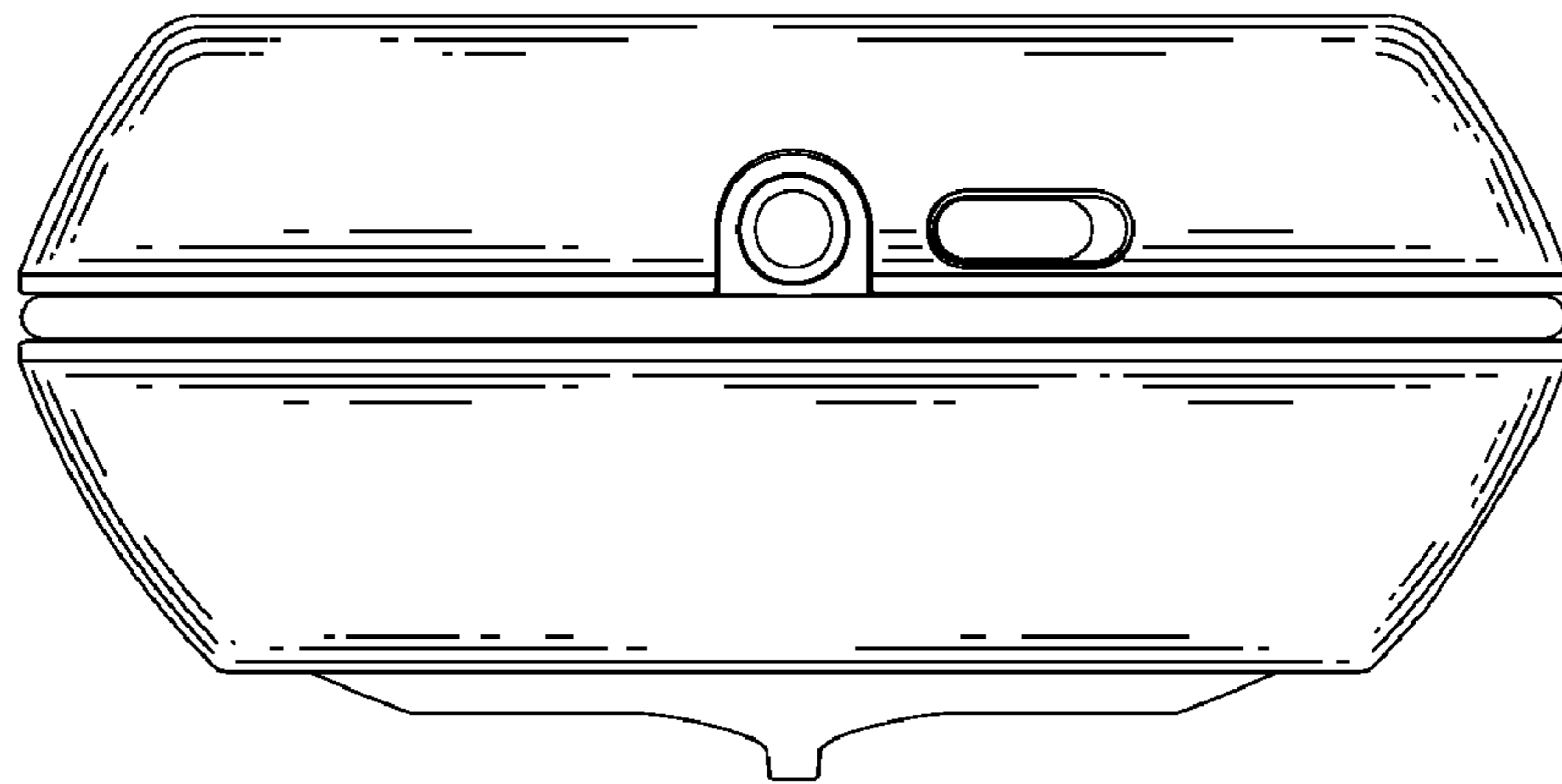


FIG. 6

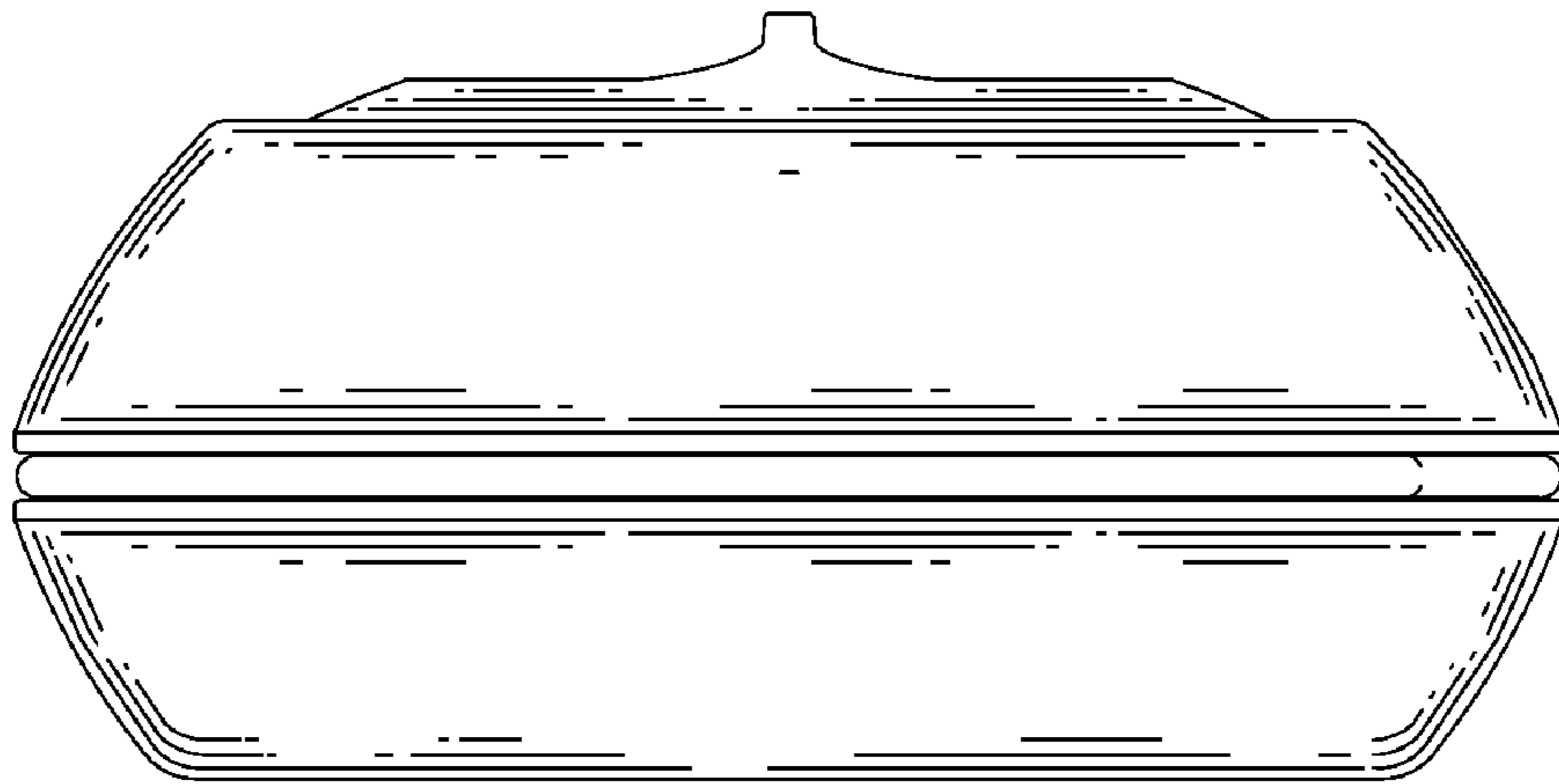


FIG. 7