



US00D639776S

(12) **United States Design Patent**  
**Arimoto**

(10) **Patent No.:** **US D639,776 S**

(45) **Date of Patent:** **\*\* Jun. 14, 2011**

(54) **PORTION OF HEADPHONE**

(75) Inventor: **Takuya Arimoto**, Tokyo (JP)

(73) Assignee: **Victor Company of Japan, Limited**,  
Yokohama-shi, Kanagawa (JP)

(\*\*) Term: **14 Years**

(21) Appl. No.: **29/368,891**

(22) Filed: **Aug. 31, 2010**

(30) **Foreign Application Priority Data**

Mar. 3, 2010 (JP) ..... D2010-005093

(51) **LOC (9) Cl.** ..... **14-01**

(52) **U.S. Cl.** ..... **D14/205**

(58) **Field of Classification Search** ..... D14/205,  
D14/206, 223, 197, 188, 192, 203.1, 203.6,  
D14/238.1, 259, 250, 260, 265; D29/112;  
2/209; 381/309, 370, 380, 381, 384, 385;  
128/866; 379/430

See application file for complete search history.

(56) **References Cited**

**U.S. PATENT DOCUMENTS**

D293,107 S *	12/1987	Muller	.....	D14/205
D433,672 S *	11/2000	Kobayashi	.....	D14/509
D439,574 S *	3/2001	Katayama	.....	D14/203.5
D441,350 S *	5/2001	Nakamura et al.	.....	D14/509
D444,140 S *	6/2001	Ishibashi	.....	D14/192
6,356,635 B1 *	3/2002	Lyman et al.	.....	379/430
D468,728 S *	1/2003	Rath et al.	.....	D14/223
D481,709 S *	11/2003	Solderits	.....	D14/228
D482,672 S *	11/2003	Takagi	.....	D14/509
D484,485 S *	12/2003	Matsuoka	.....	D14/205
D504,414 S *	4/2005	Yoshida	.....	D14/192

D505,411 S *	5/2005	Sakai	.....	D14/192
D512,417 S *	12/2005	Hirakawa et al.	.....	D14/223
D531,159 S *	10/2006	Park	.....	D14/203.3
D535,974 S *	1/2007	Alwicker et al.	.....	D14/188
D557,684 S *	12/2007	Pundsack et al.	.....	D14/205
D559,837 S *	1/2008	Nakano	.....	D14/223
D568,290 S *	5/2008	Wikel	.....	D14/205
D573,581 S *	7/2008	Gondo et al.	.....	D14/205
D584,293 S *	1/2009	Kim et al.	.....	D14/223
7,492,917 B2 *	2/2009	Ito	.....	381/370
D588,113 S *	3/2009	Bradford	.....	D14/223
D591,263 S *	4/2009	Shimizu	.....	D14/205
D593,995 S *	6/2009	Shimizu	.....	D14/205
D594,847 S *	6/2009	Suzuki	.....	D14/205
D606,969 S *	12/2009	Semcken	.....	D14/205
D617,770 S *	6/2010	Sanguinetti et al.	.....	D14/205
D625,705 S *	10/2010	Ohuri et al.	.....	D14/205

\* cited by examiner

*Primary Examiner* — Paula Greene

(74) *Attorney, Agent, or Firm* — The Nath Law Group;  
Jerald L. Meyer; Derek Richmond

(57) **CLAIM**

The ornamental design for a portion of headphone, as shown and described.

**DESCRIPTION**

FIG. 1 is a perspective view of a portion of headphone;

FIG. 2 is a front view thereof;

FIG. 3 is a rear view thereof;

FIG. 4 is a left side view thereof;

FIG. 5 is a right side view thereof; and,

FIG. 6 is a bottom plan view thereof.

The broken lines showing on the drawing disclosure are for illustrative purposes only and form no part of the claimed design.

**1 Claim, 5 Drawing Sheets**

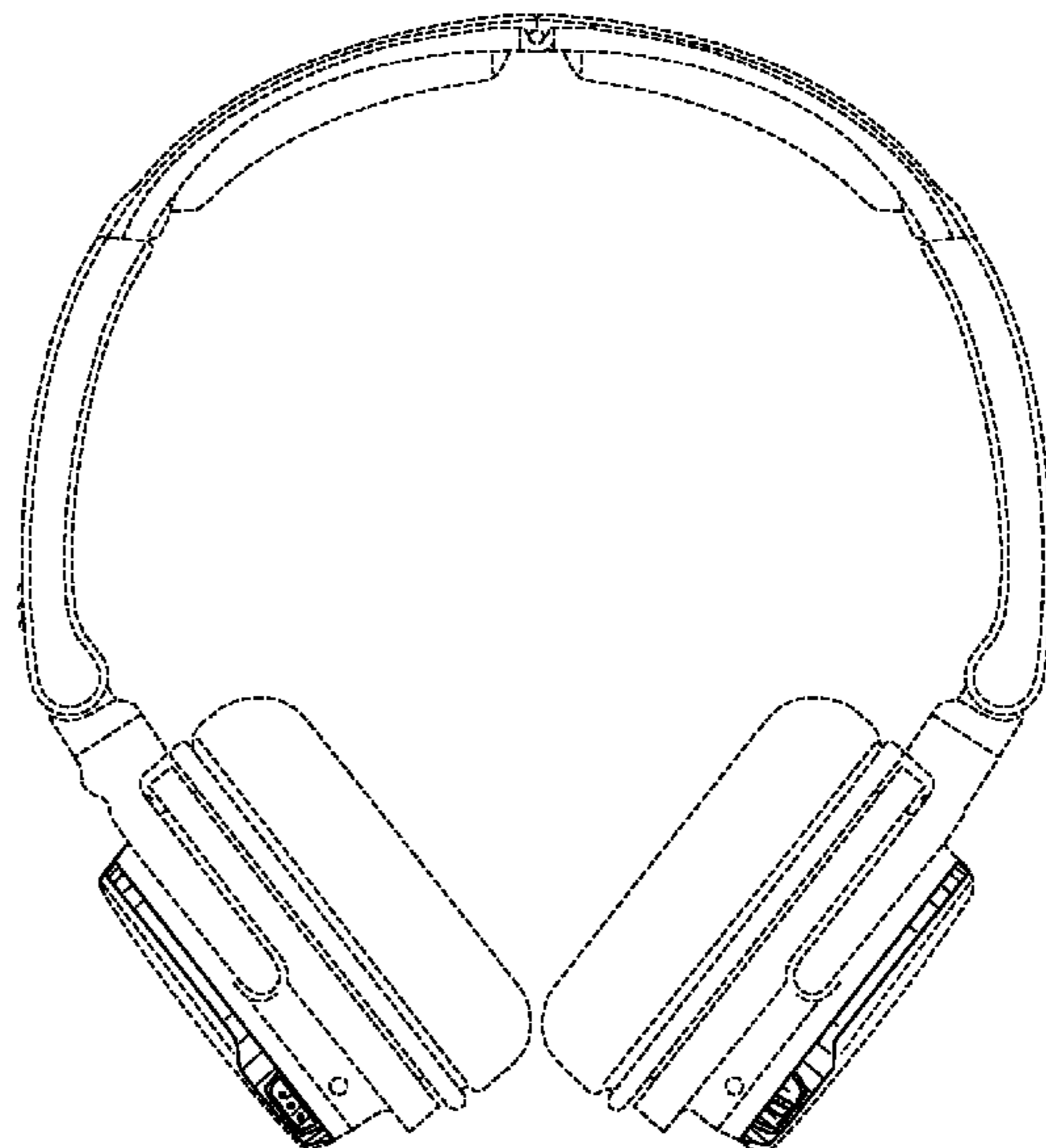
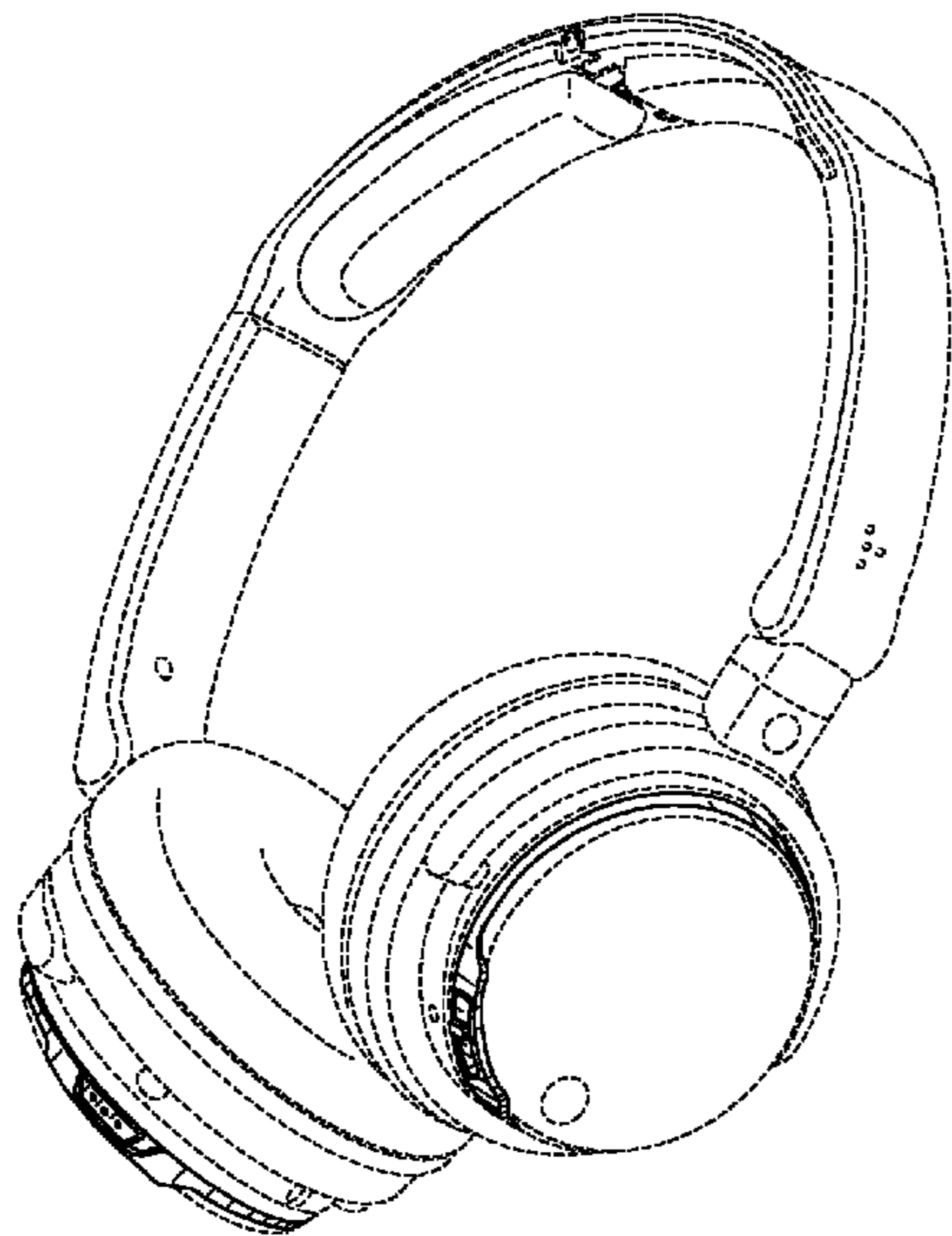


Fig.1

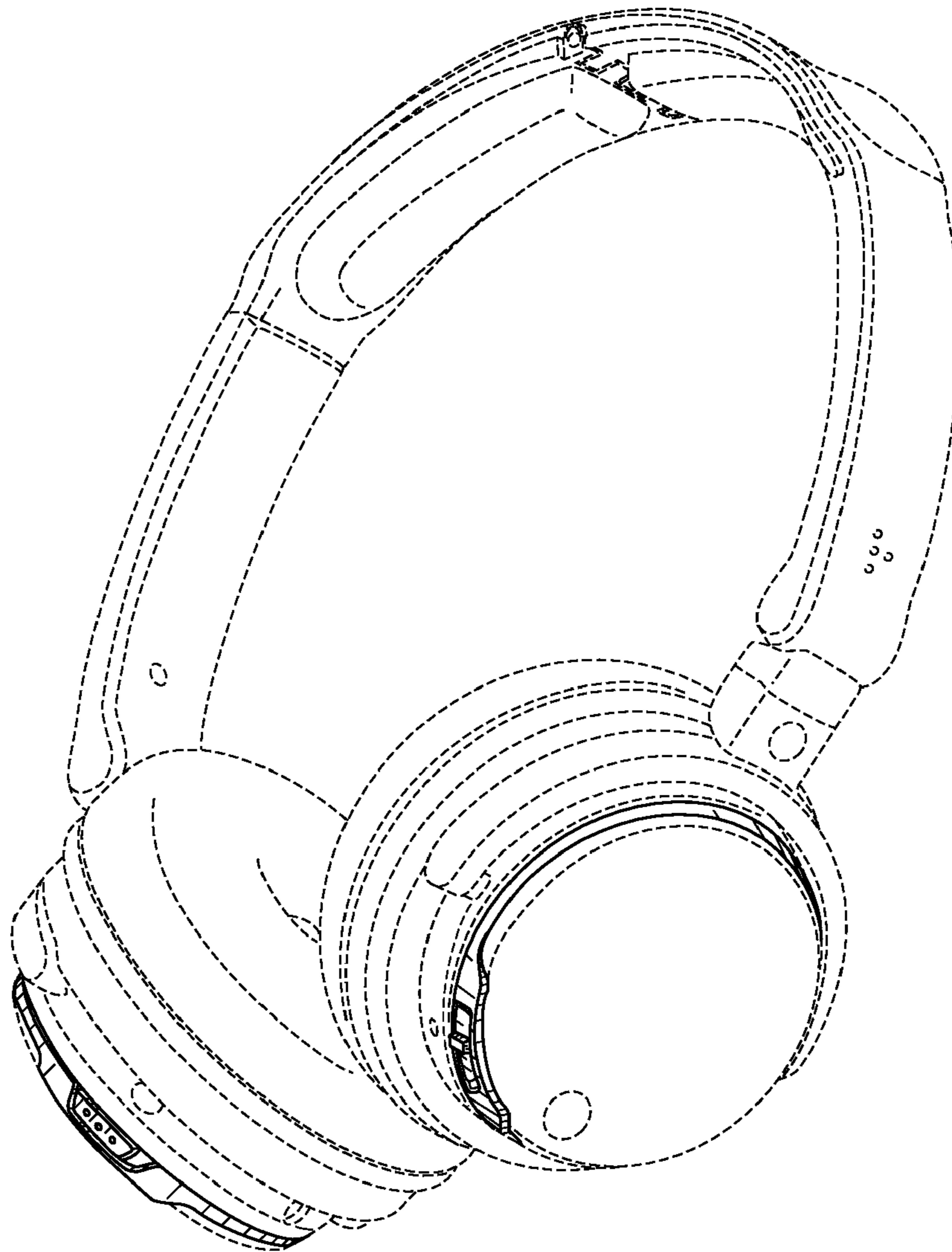


Fig.2

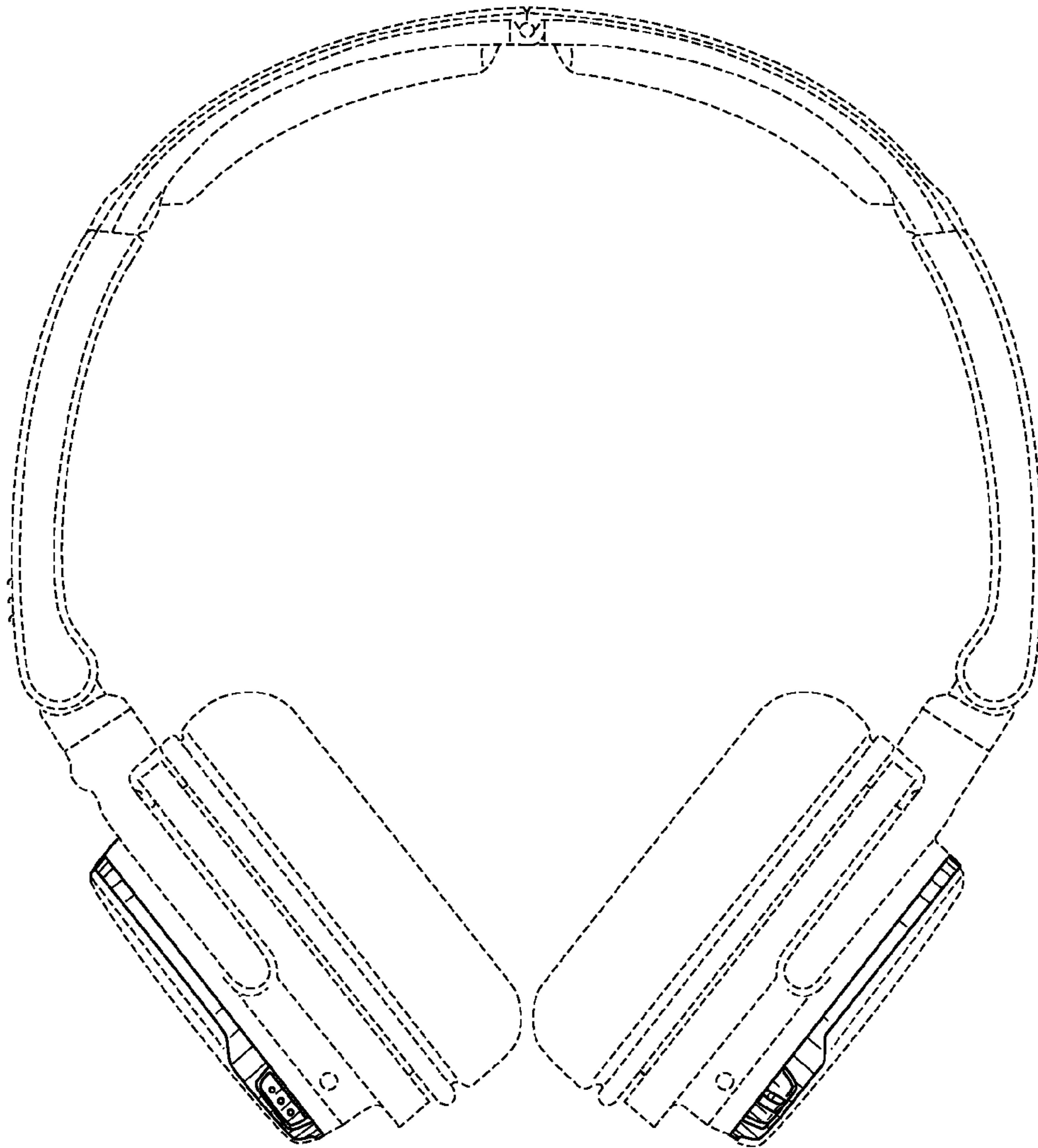


Fig.3

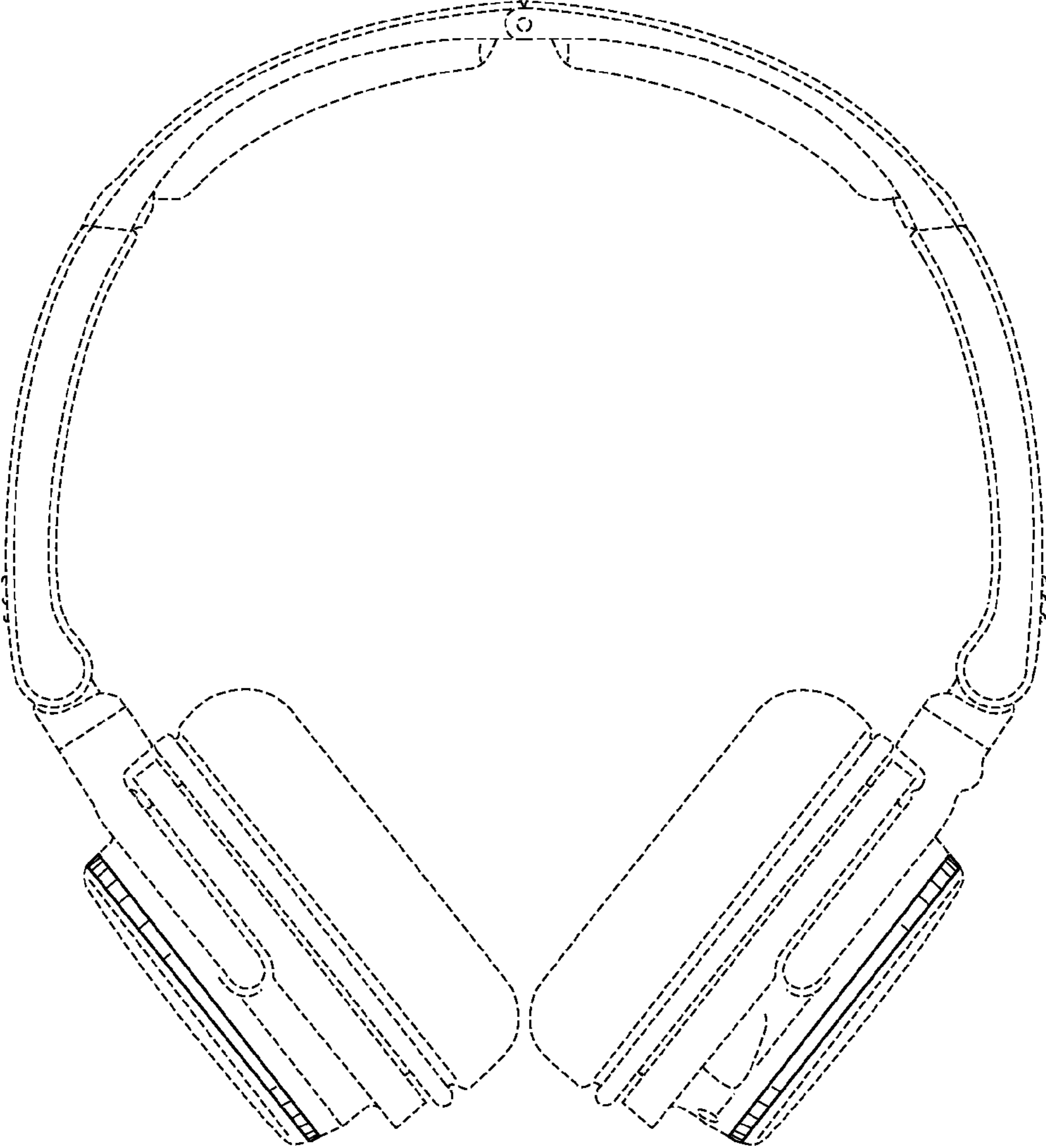


Fig.4

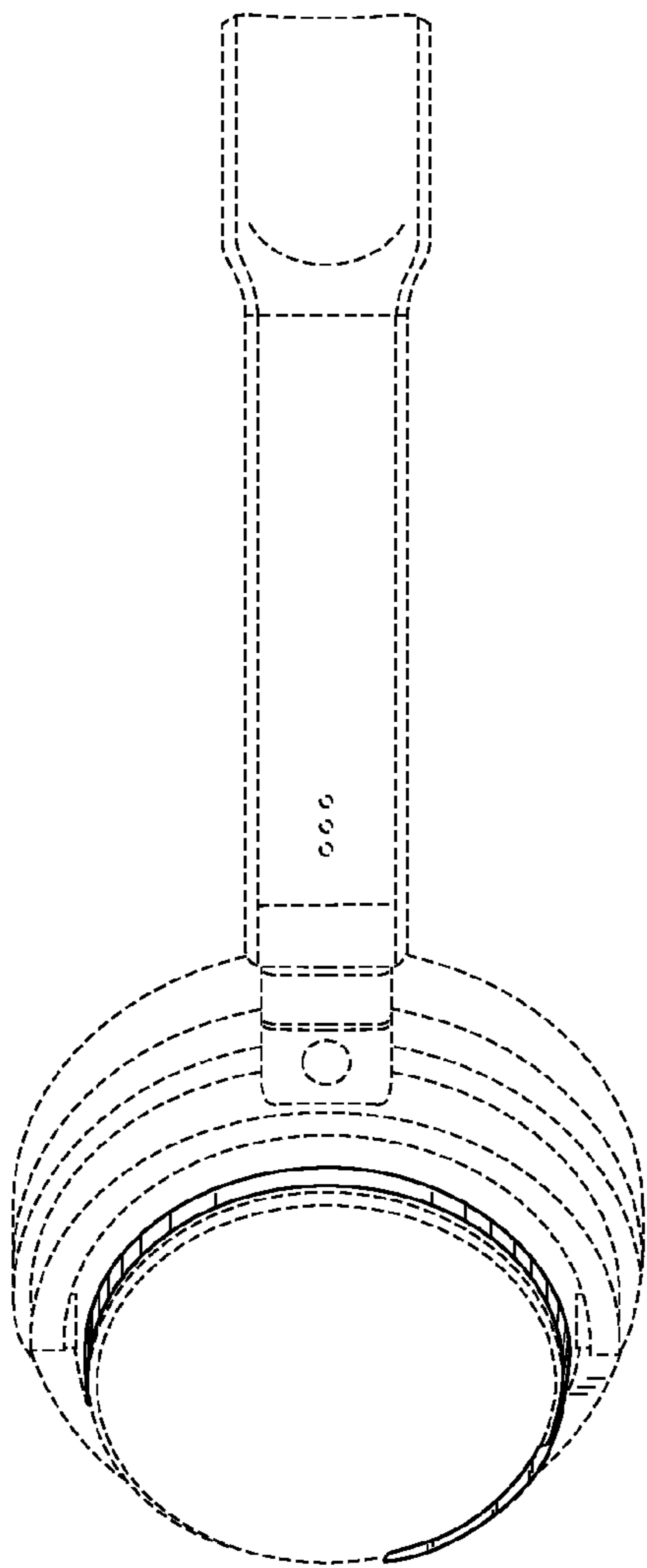


Fig.5

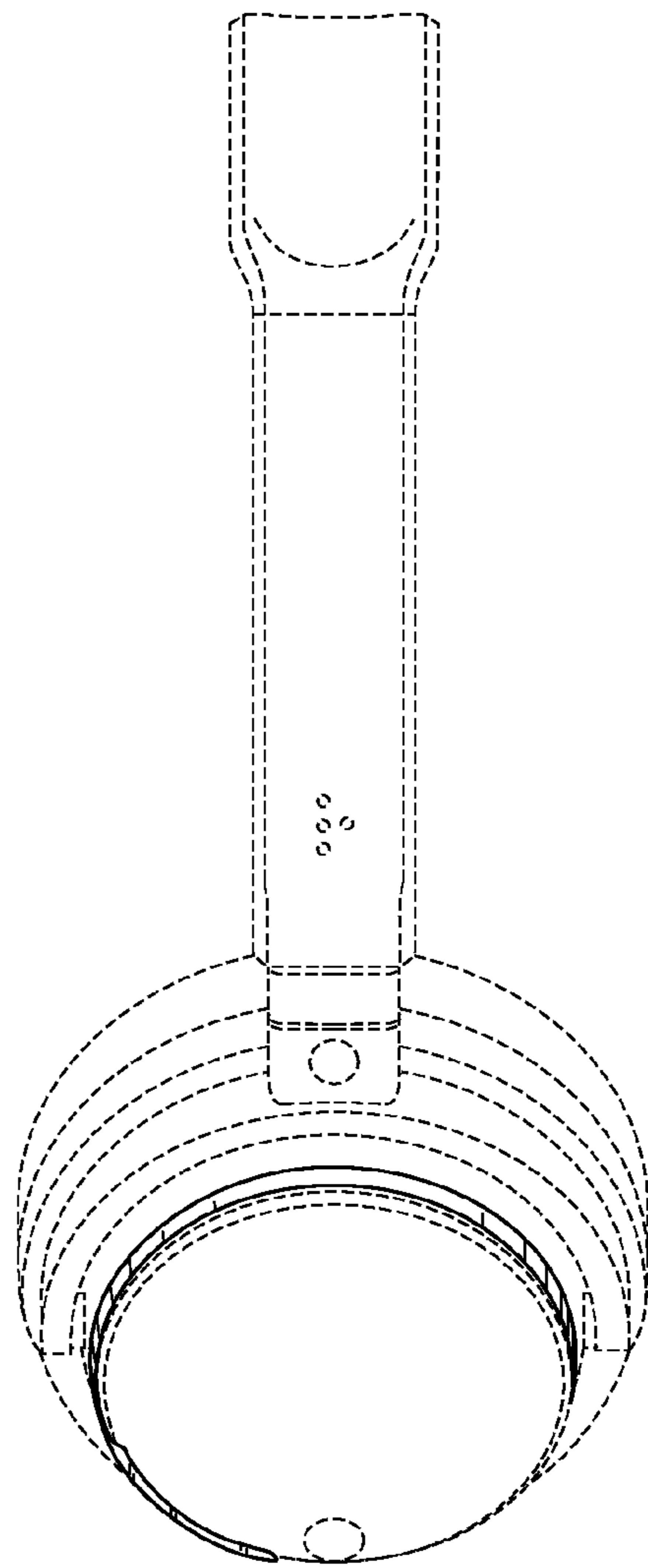


Fig.6

