



US00D639775S

(12) **United States Design Patent**
Horibe et al.

(10) **Patent No.:** **US D639,775 S**
(45) **Date of Patent:** **** Jun. 14, 2011**

(54) **HEADPHONE**

(75) Inventors: **Shinji Horibe**, Tokyo (JP); **Hiroyuki Ochiai**, Kanagawa (JP)

(73) Assignee: **Kabushiki Kaisha Audio-Technica**, Tokyo (JP)

(**) Term: **14 Years**

(21) Appl. No.: **29/363,478**

(22) Filed: **Jun. 10, 2010**

(30) **Foreign Application Priority Data**

Dec. 24, 2009 (JP) 2009-030073

(51) **LOC (9) Cl.** **14-01**

(52) **U.S. Cl.** **D14/205**

(58) **Field of Classification Search** D14/205,
D14/206, 223; 379/430, 431; 381/380, 381,
381/378, 379, 370, 371, 374; 181/129, 130;
D29/112; 2/209; 128/866, 867; 455/575.2,
455/575.1

See application file for complete search history.

(56) **References Cited**

U.S. PATENT DOCUMENTS

3,073,410 A * 1/1963 Gongoll et al. 2/209
4,471,496 A * 9/1984 Gardner et al. 2/209
D328,461 S * 8/1992 Daido et al. D14/205
D353,818 S * 12/1994 Nakamura D14/205
D431,550 S * 10/2000 Yoneda D14/205

6,629,579 B1 * 10/2003 Hasegawa 181/129
D491,163 S * 6/2004 Green D14/205
D514,087 S * 1/2006 Wilson et al. D14/206
D541,255 S * 4/2007 Taylor et al. D14/205
D552,077 S * 10/2007 Brunner et al. D14/205
D581,394 S * 11/2008 Lee D14/205
7,457,649 B1 * 11/2008 Wilson 455/575.2
D585,871 S * 2/2009 Lee D14/205
D585,872 S * 2/2009 Lee D14/205
D588,098 S * 3/2009 Kurihara D14/205
D594,847 S * 6/2009 Suzuki D14/205
D597,070 S * 7/2009 Zheng D14/205
D603,370 S * 11/2009 Suzuki D14/205
D616,865 S * 6/2010 Marchand et al. D14/205

* cited by examiner

Primary Examiner — Paula Greene

(74) *Attorney, Agent, or Firm* — Whitham Curtis
Christofferson & Cook, PC

(57) **CLAIM**

We claim the ornamental design for the headphone, as shown and described.

DESCRIPTION

FIG. 1 is a front elevational view of the headphone;
FIG. 2 is a rear elevational view of the headphone;
FIG. 3 is a top plan view of the headphone;
FIG. 4 is a bottom plan view of the headphone;
FIG. 5 is a left side elevational view of the headphone;
FIG. 6 is a right side elevational view of the headphone; and,
FIG. 7 is a perspective view of the headphone.
The broken lines form no part of the claimed design.

1 Claim, 7 Drawing Sheets

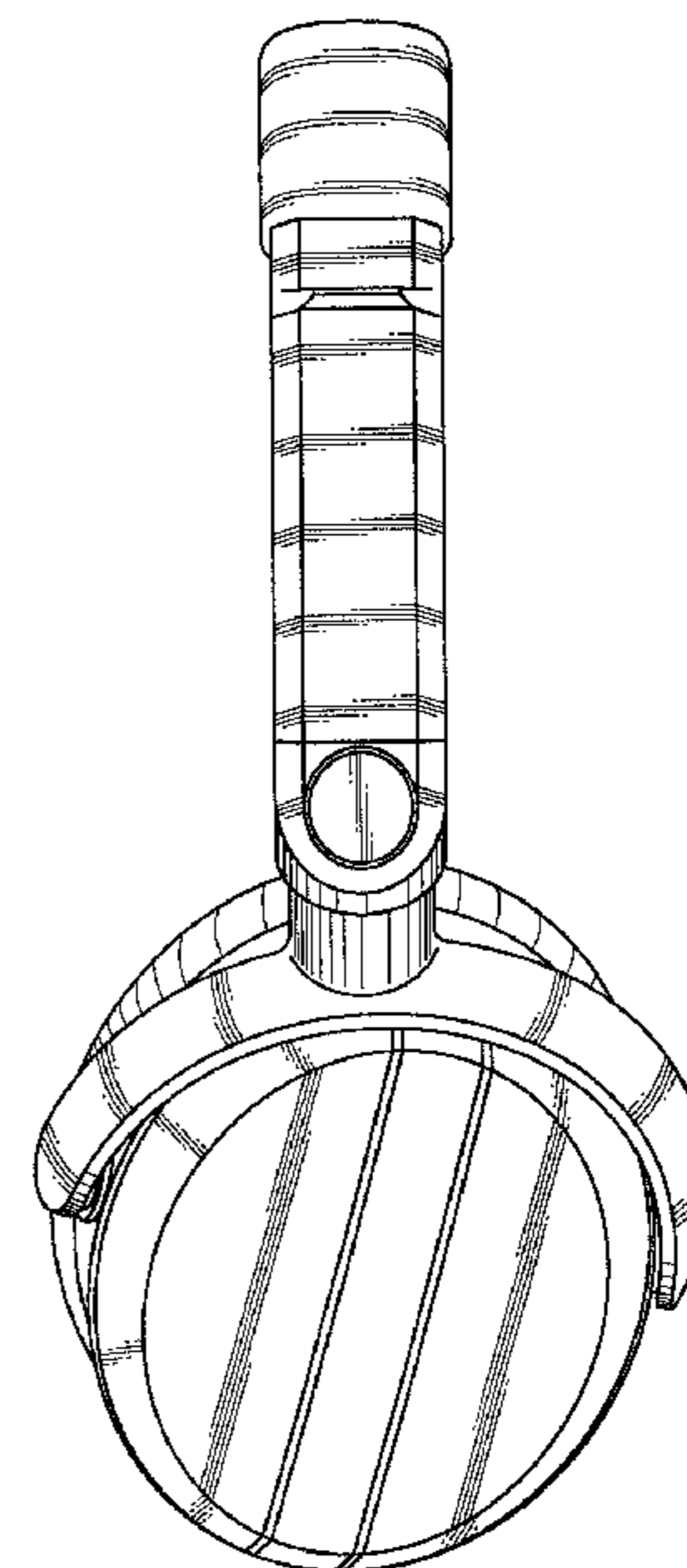


FIGURE 1



FIGURE 2



FIGURE 3

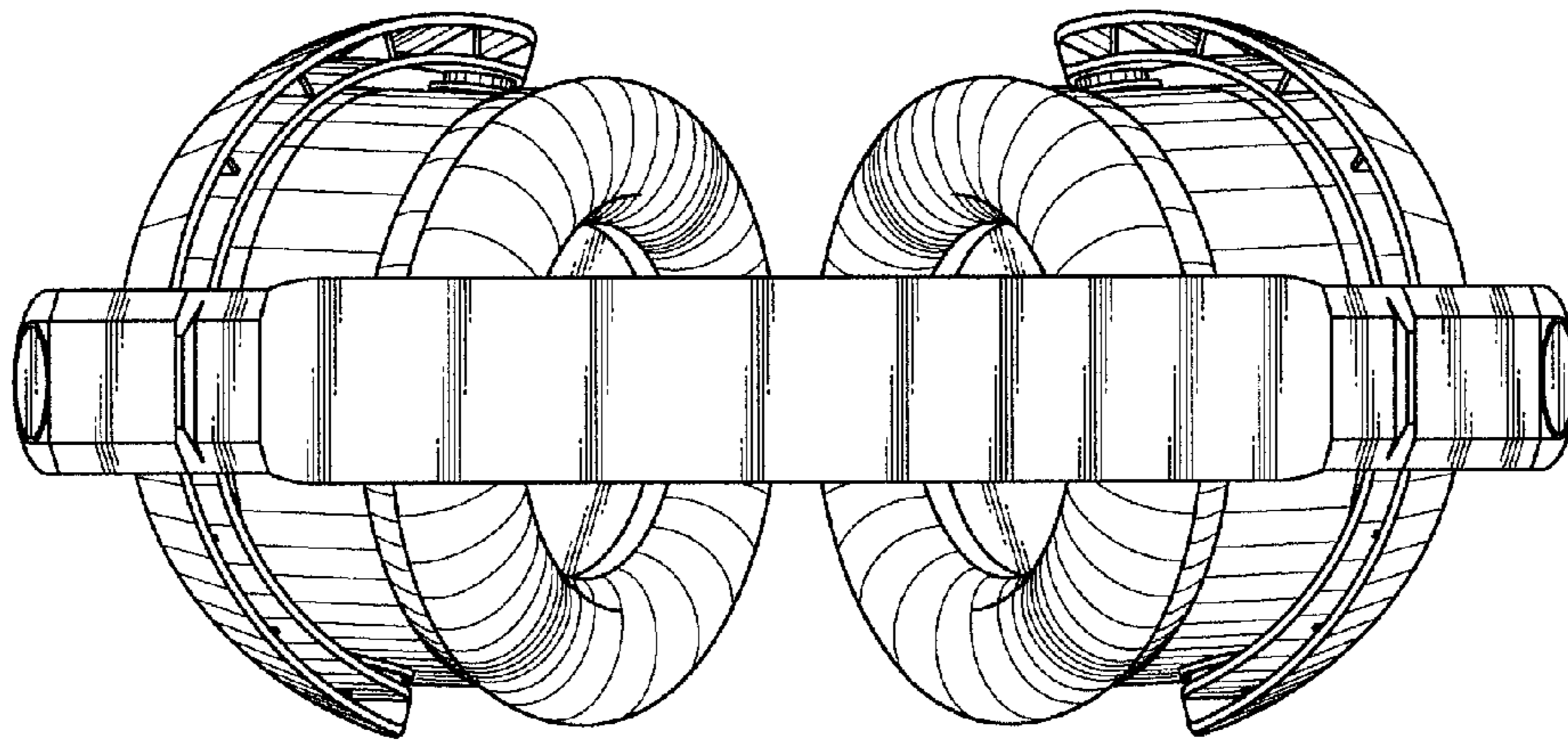


FIGURE 4

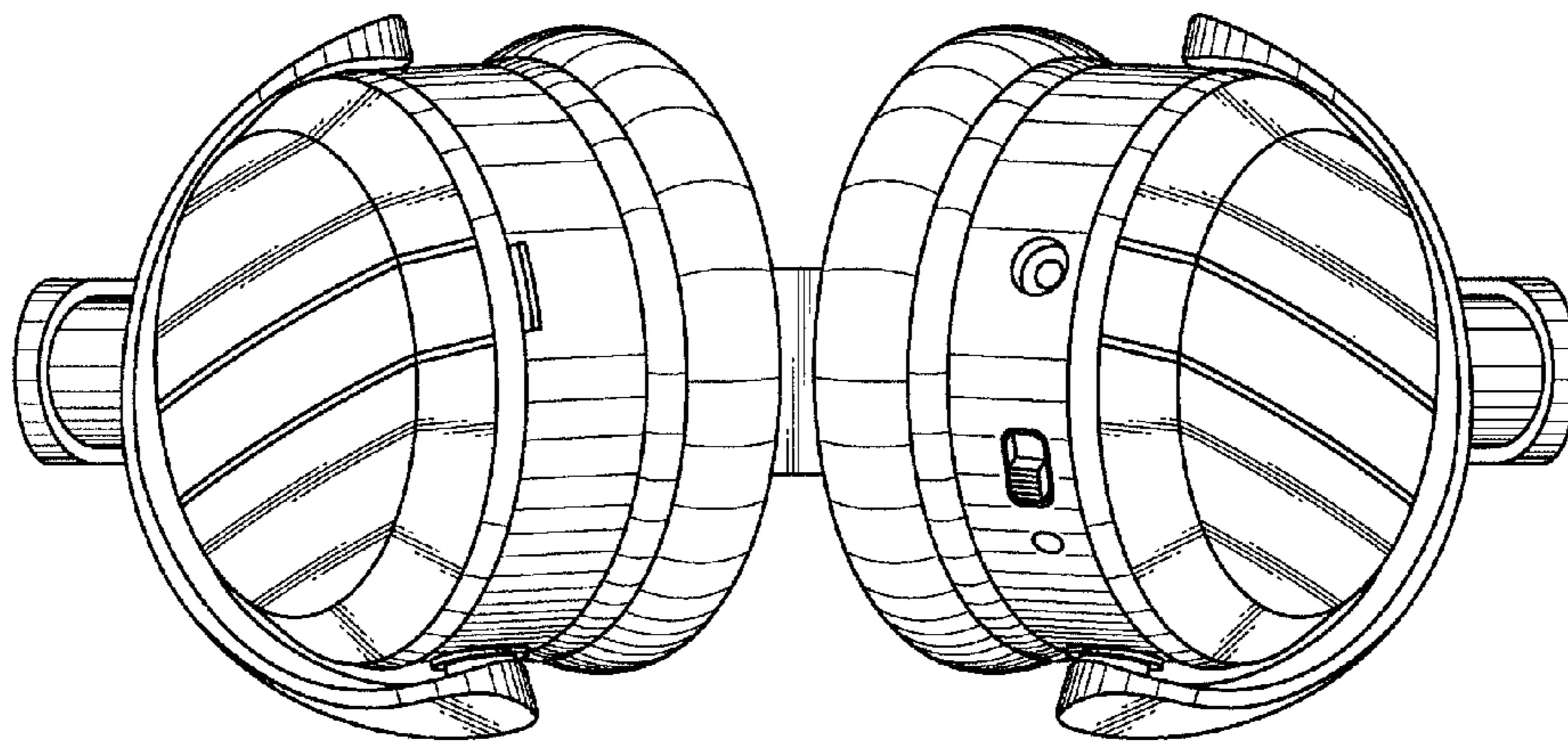


FIGURE 5

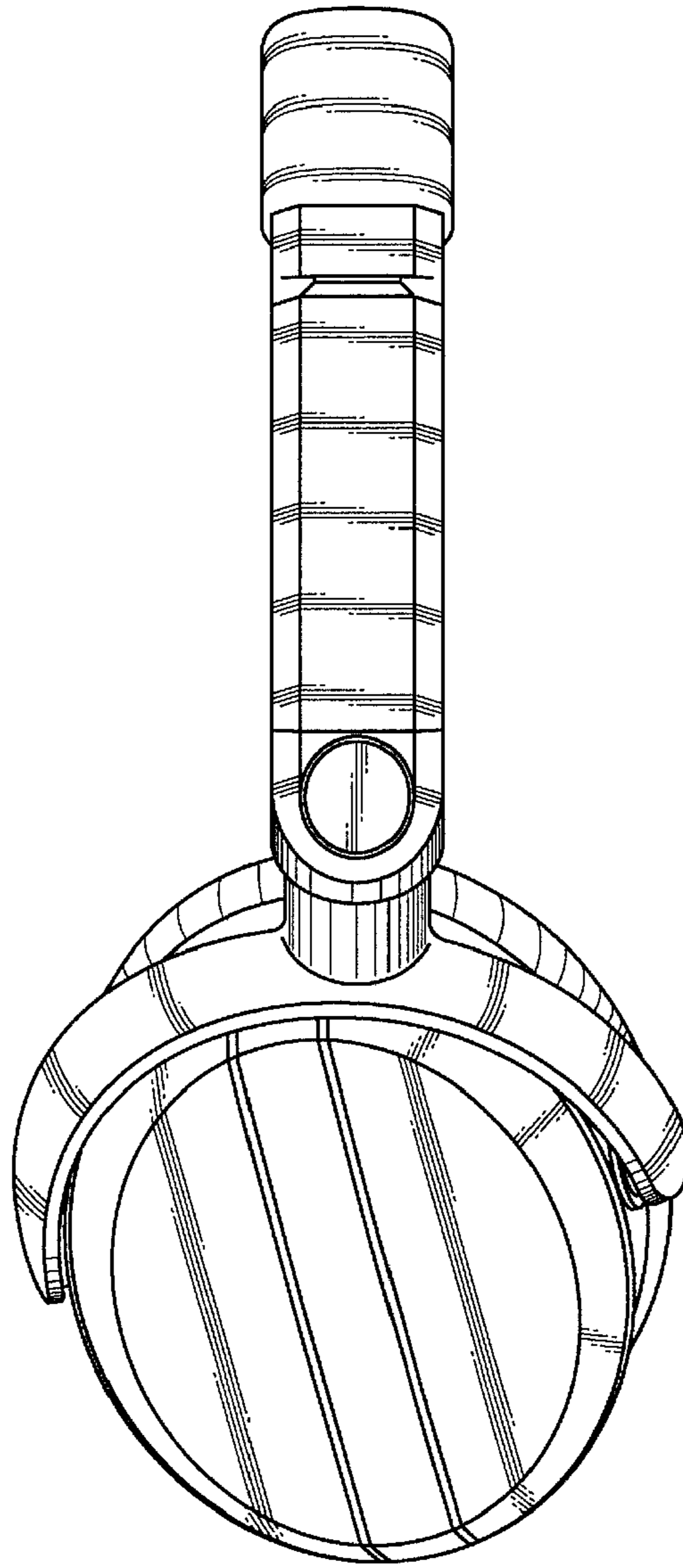


FIGURE 6

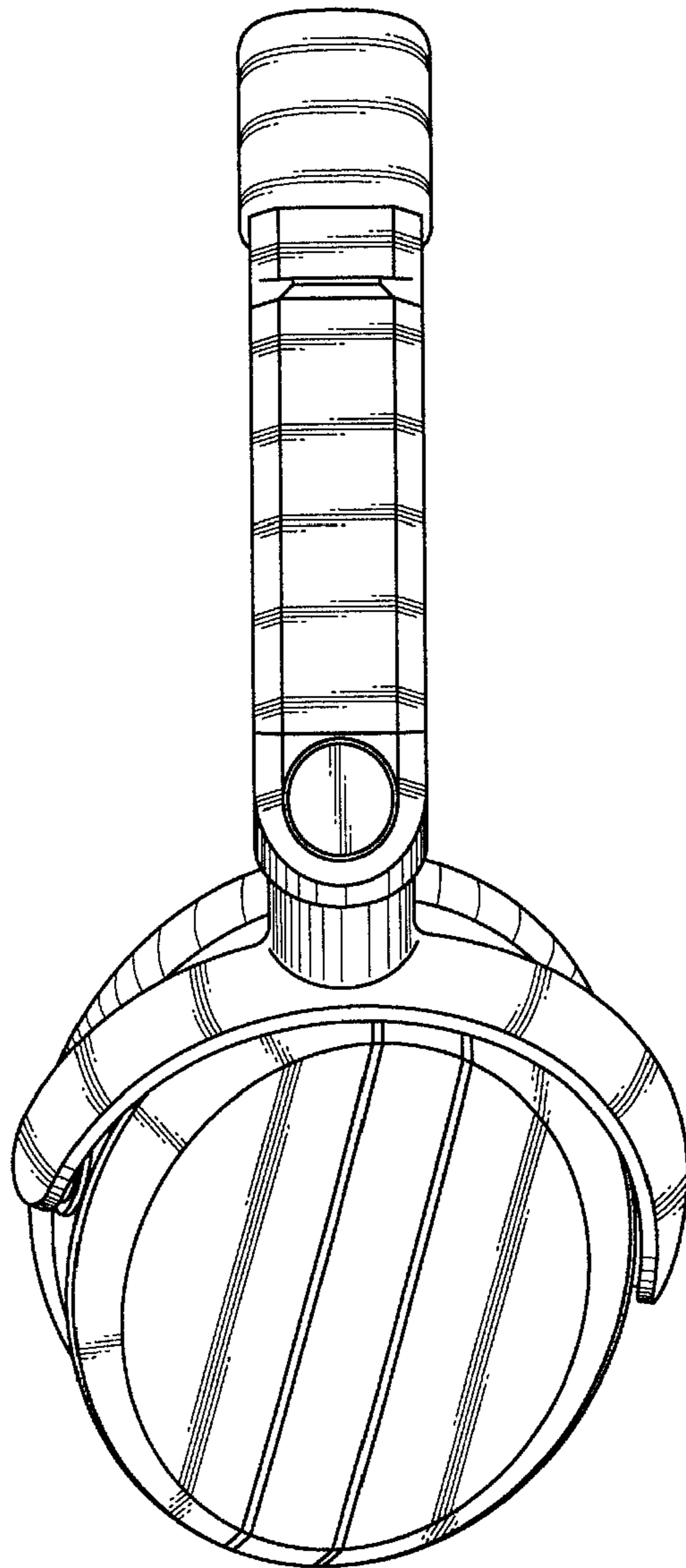


FIGURE 7

