



US00D639774S

(12) **United States Design Patent**  
**Rader et al.**

(10) **Patent No.:** **US D639,774 S**

(45) **Date of Patent:** **\*\* Jun. 14, 2011**

(54) **EXPONENTIAL HORN SPEAKER CABINET**

*Primary Examiner* — Nanda Bondade

(76) Inventors: **Steve Rader**, Fort Smith, AR (US);  
**Louis C. McClure**, Van Buren, AR (US)

(74) *Attorney, Agent, or Firm* — Keisling & Pieper PLC;  
David B. Pieper

(\*\*) Term: **14 Years**

(21) Appl. No.: **29/348,930**

(57) **CLAIM**

The ornamental design for an exponential horn speaker cabinet, as shown and described.

(22) Filed: **Feb. 22, 2010**

(51) **LOC (9) Cl.** ..... **14-01**

(52) **U.S. Cl.** ..... **D14/204; D14/214**

(58) **Field of Classification Search** ..... D14/204,  
D14/207, 210–216, 172; 181/143–144, 147–148,  
181/150–153, 157, 198–199; 381/300–303,  
381/306, 332–333, 336, 345, 361–364, 386–388  
See application file for complete search history.

**DESCRIPTION**

FIG. 1 is a top view of an exponential horn speaker cabinet showing my new design;  
FIG. 2 is a left side view thereof;  
FIG. 3 is a front thereof;  
FIG. 4 is a right side view thereof;  
FIG. 5 is a back view thereof;  
FIG. 6 is a bottom view thereof;  
FIG. 7 is an upper perspective view thereof.  
FIG. 8 is a bottom perspective view thereof; and,  
FIG. 9 is a cross sectional view thereof, taken along lines 9–9 of FIG. 1.

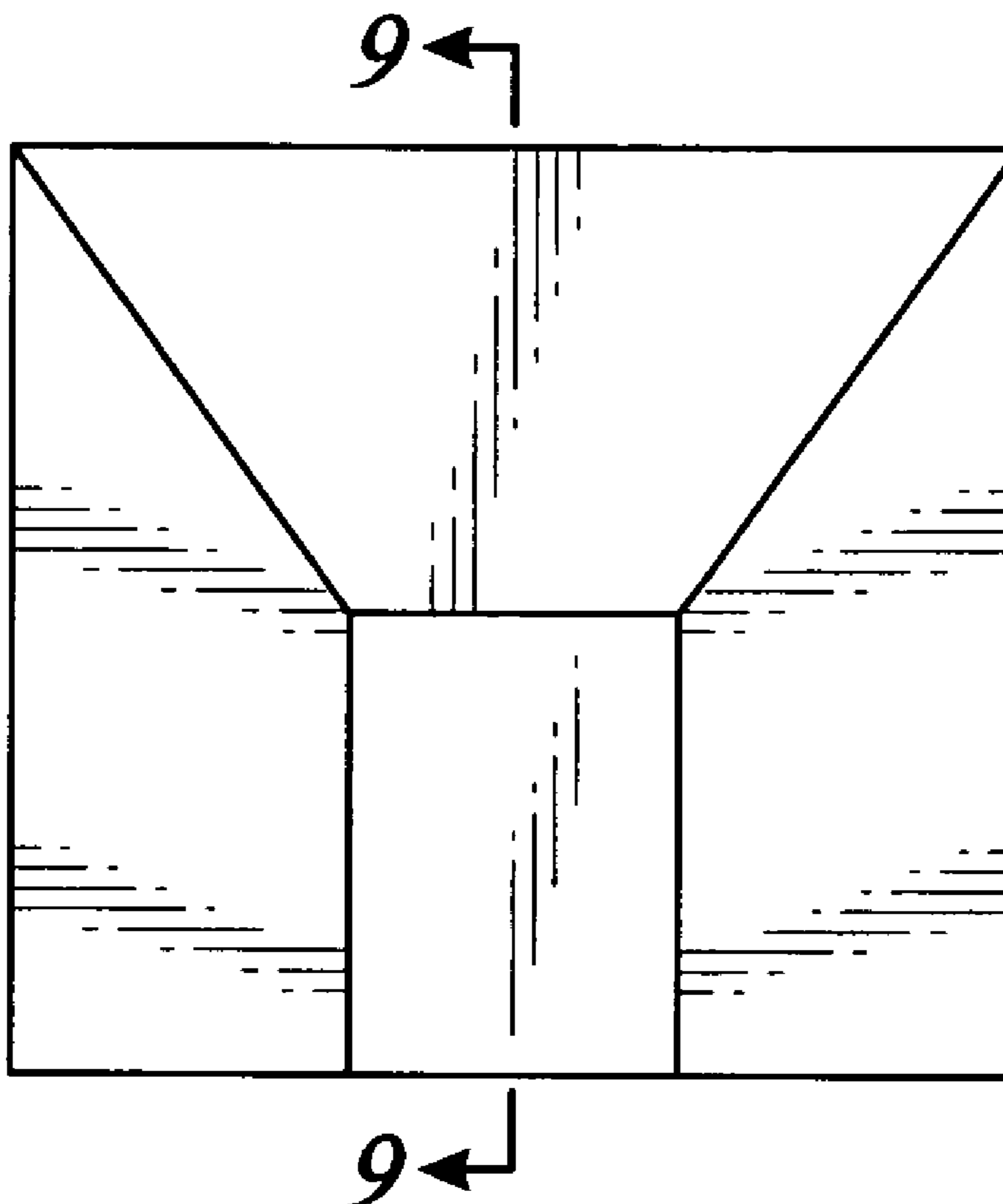
(56) **References Cited**

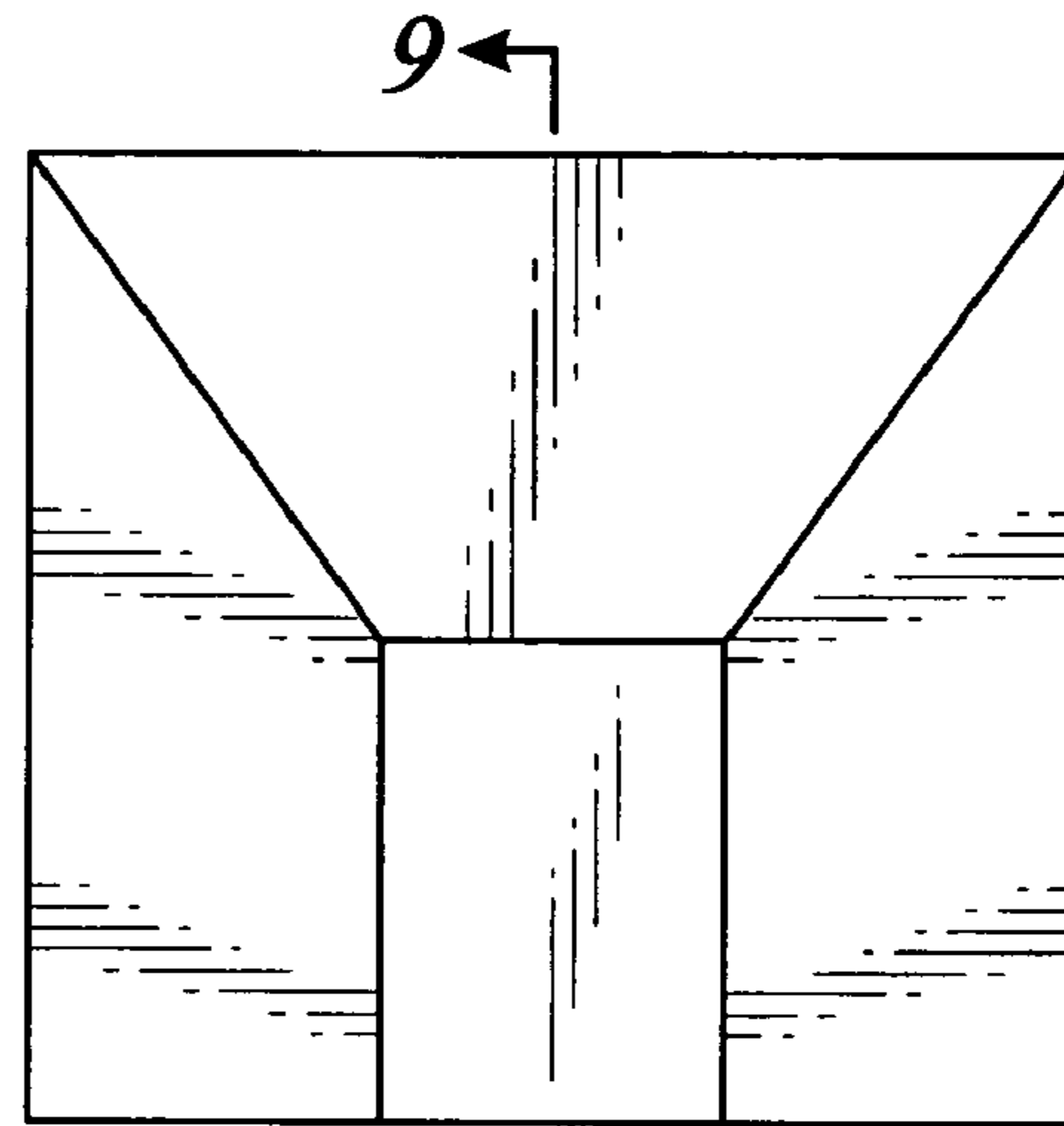
U.S. PATENT DOCUMENTS

D262,793 S *	1/1982	Hathaway et al. ....	D14/215
D268,180 S *	3/1983	Leo .....	D14/214
D280,984 S *	10/1985	Tricker .....	D14/214
4,730,694 A *	3/1988	Albarino .....	181/153
4,924,964 A *	5/1990	Olsen .....	181/151

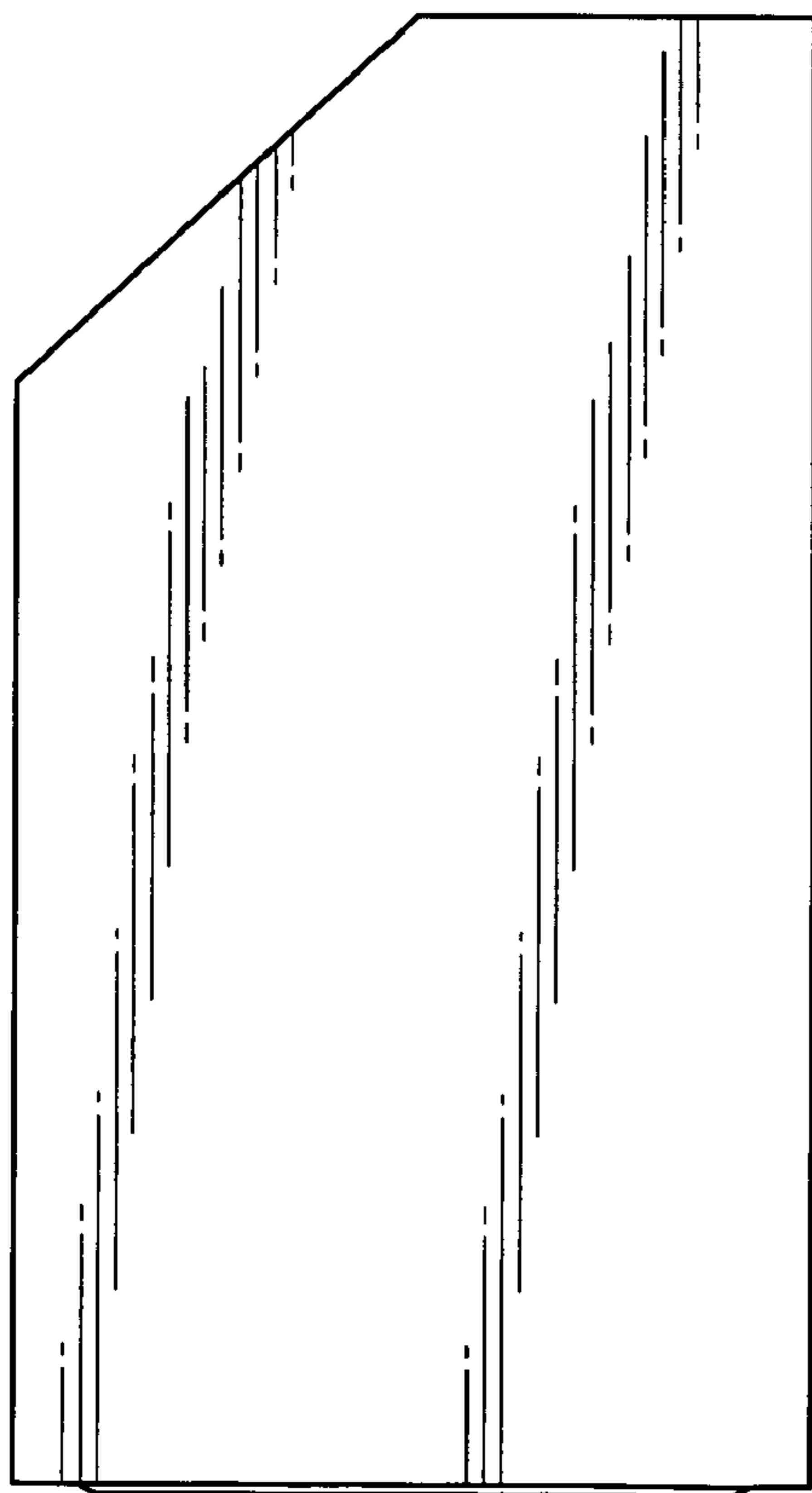
\* cited by examiner

**1 Claim, 4 Drawing Sheets**

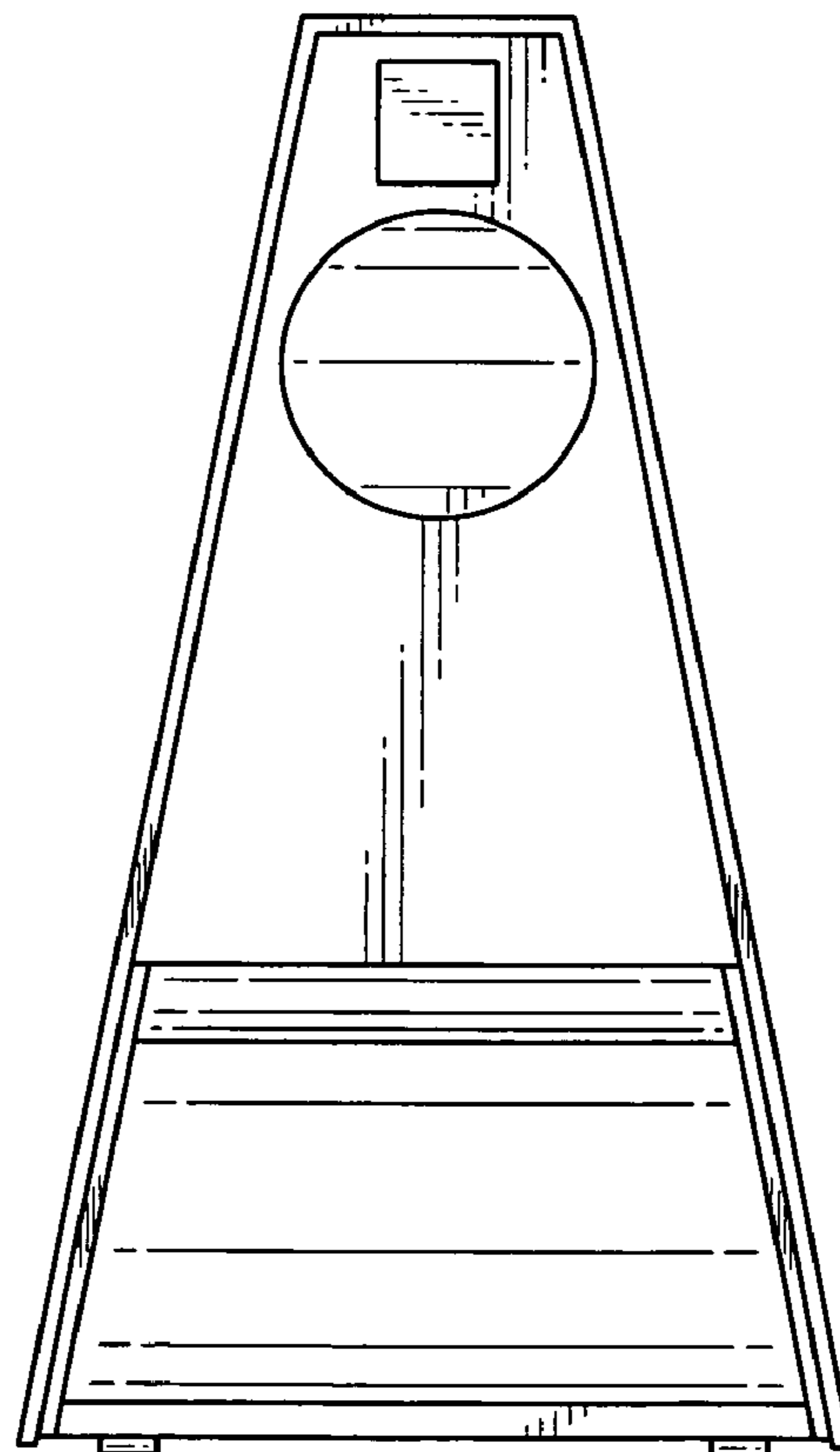




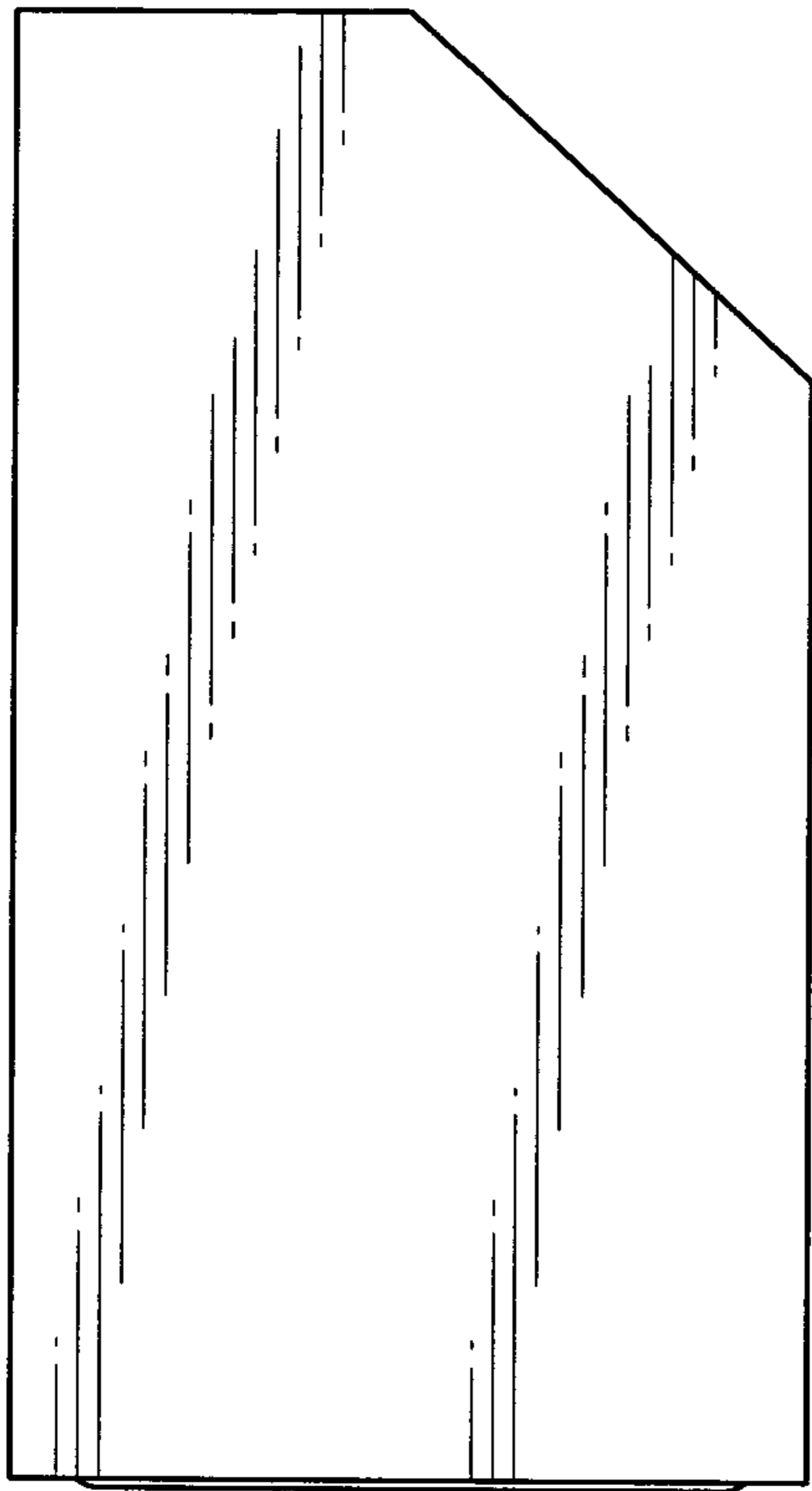
*FIG. 1*



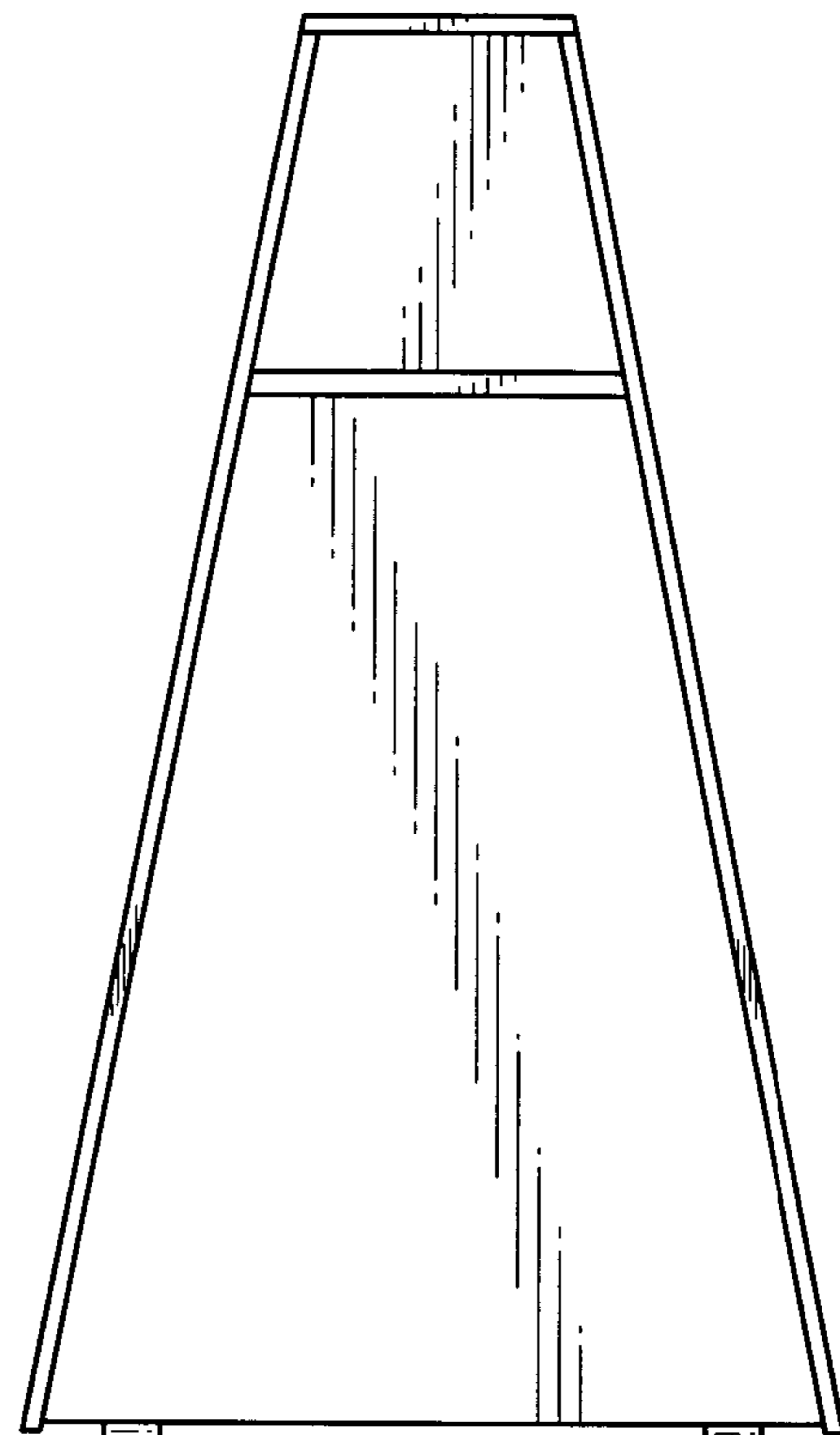
*FIG. 2*



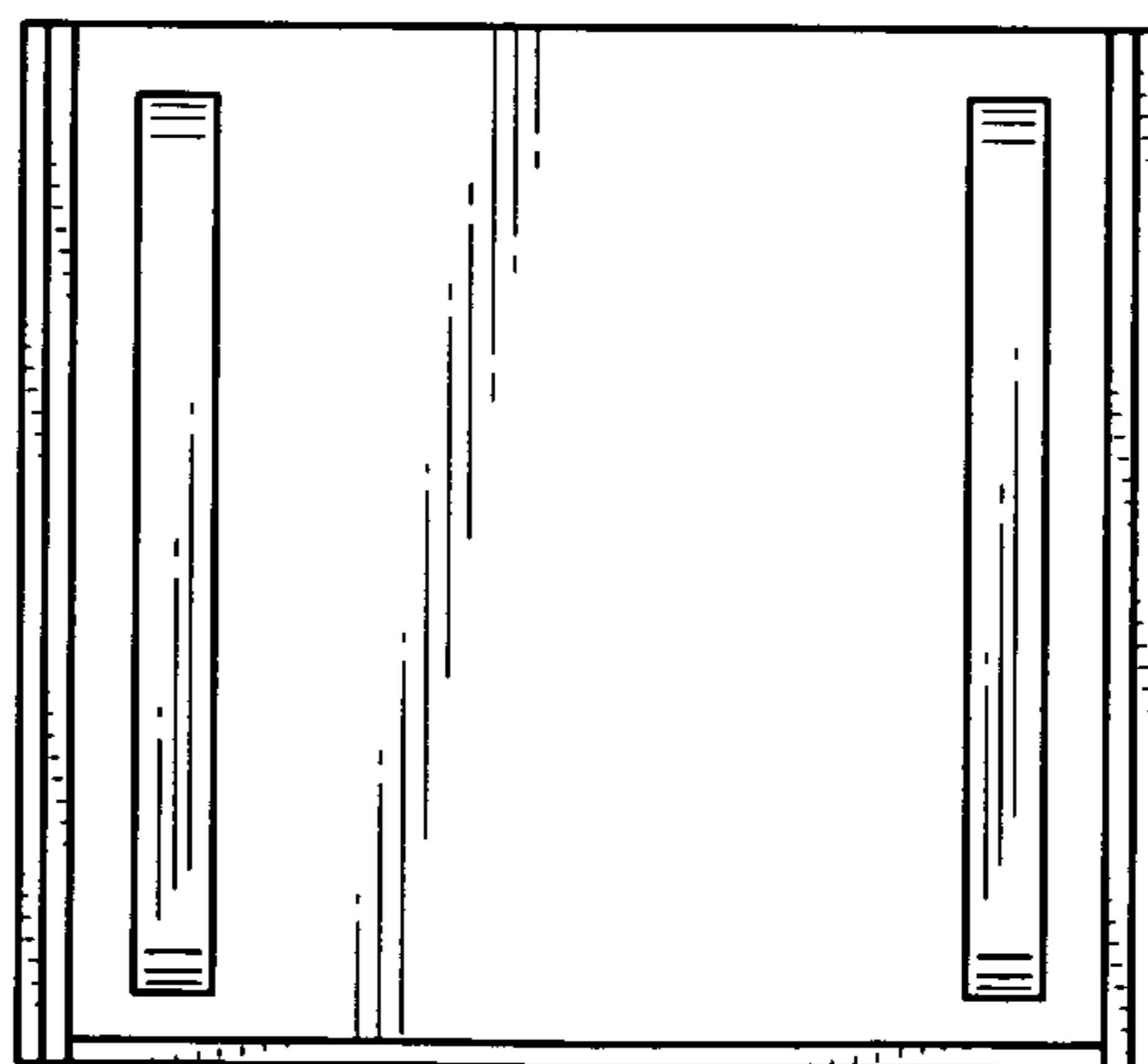
*FIG. 3*



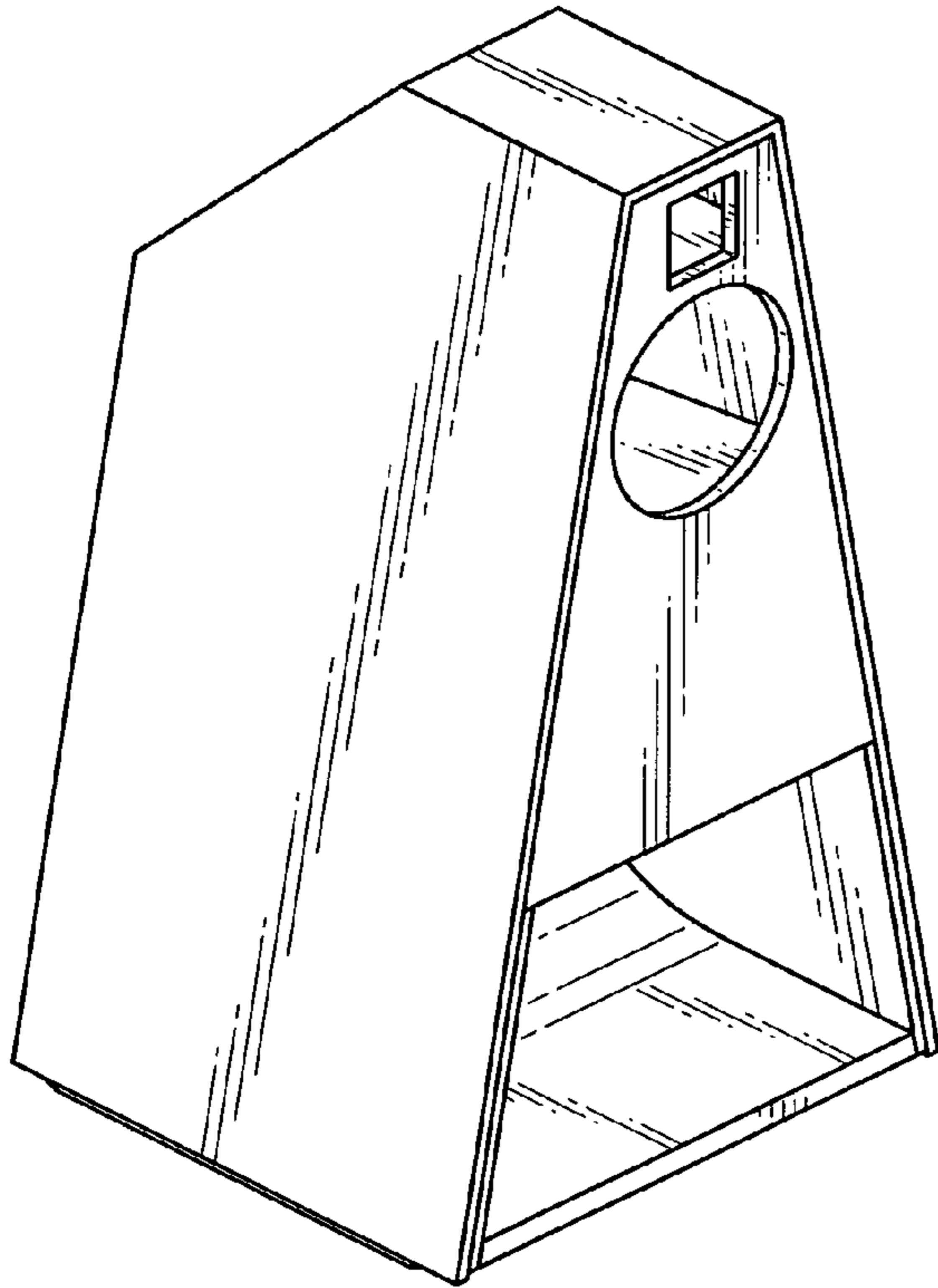
*FIG. 4*



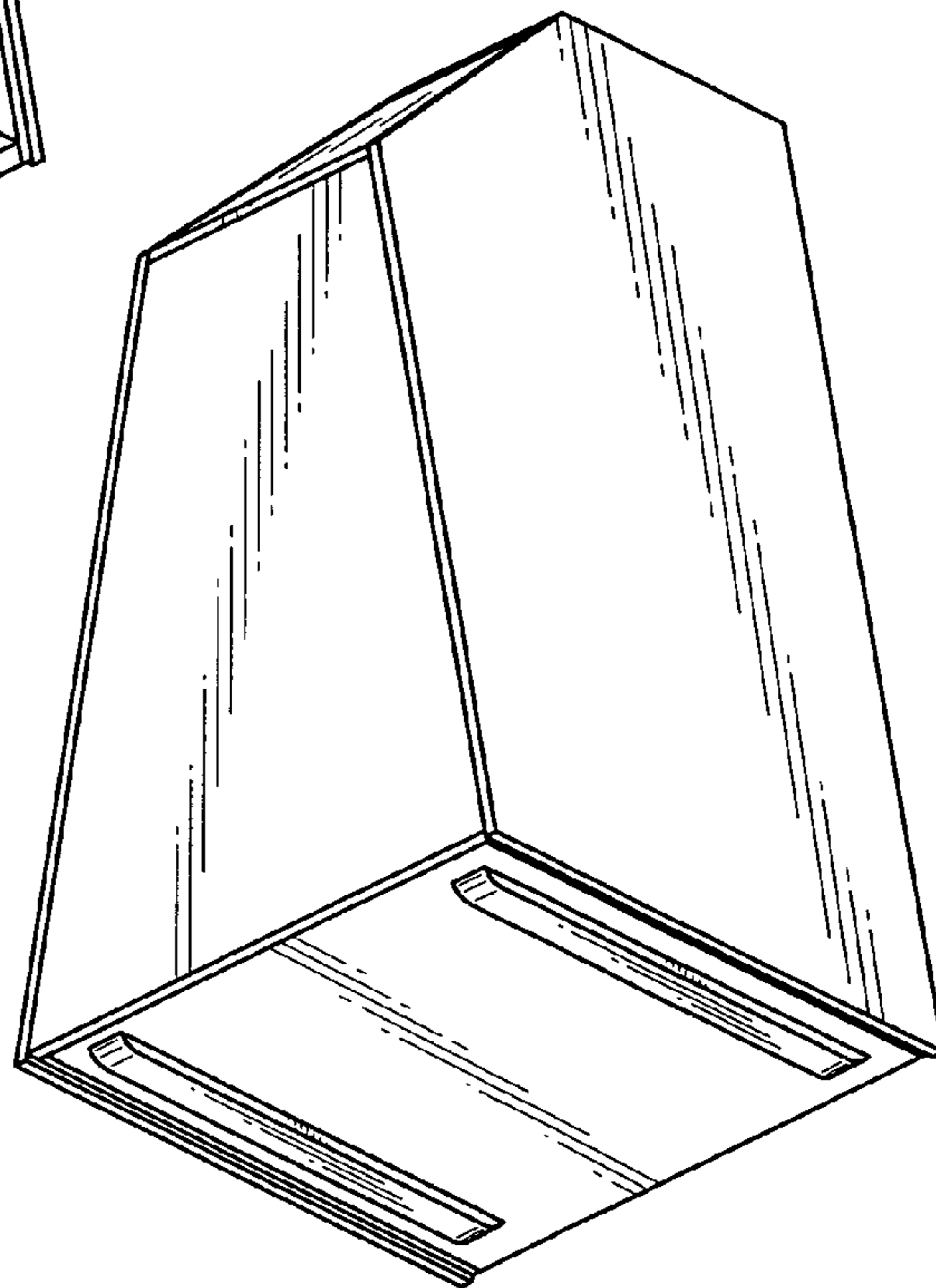
*FIG. 5*



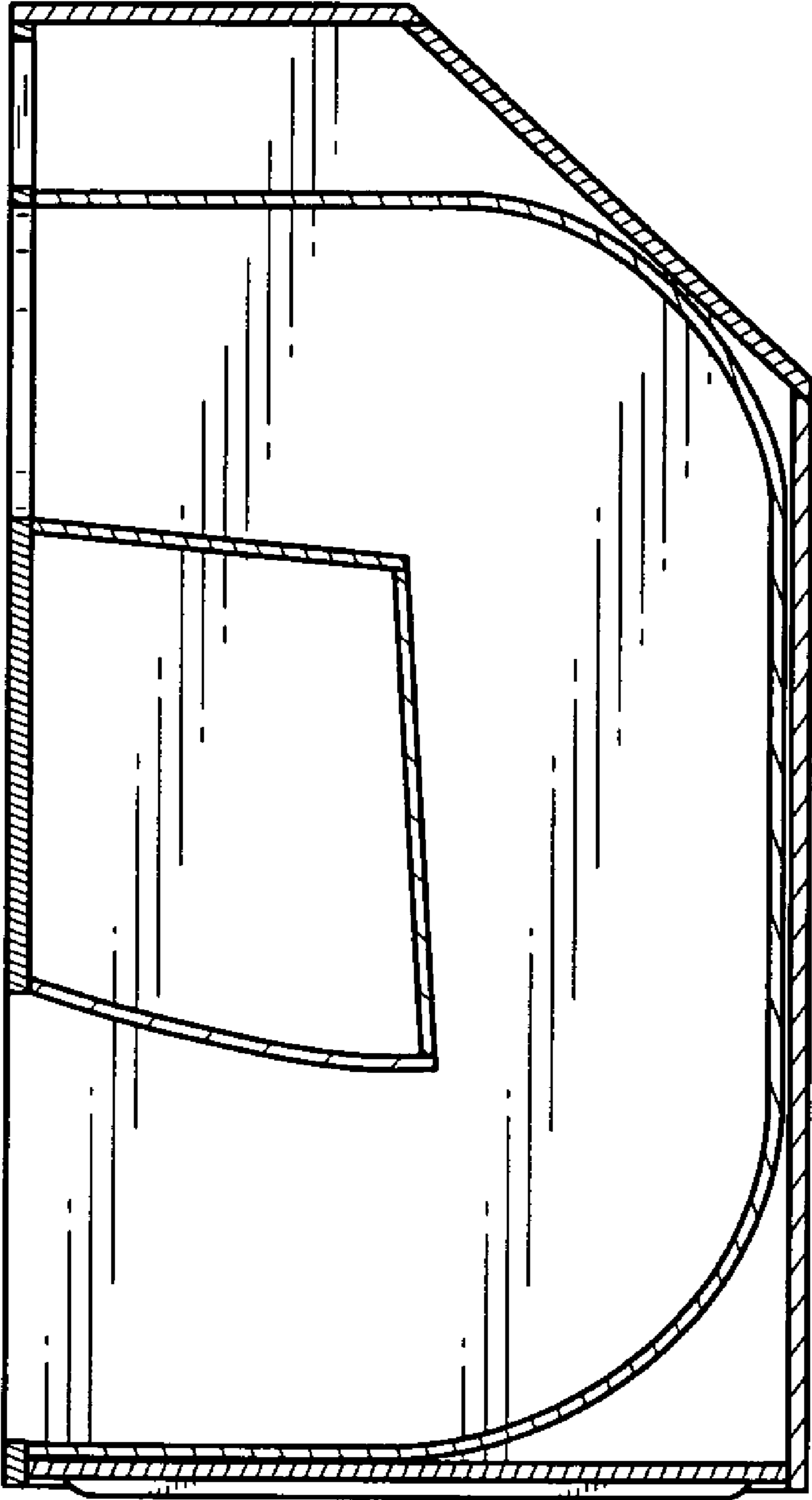
*FIG. 6*



*FIG. 7*



*FIG. 8*



*FIG. 9*