



US00D639759S

(12) **United States Design Patent**
Shin et al.

(10) **Patent No.:** **US D639,759 S**
(45) **Date of Patent:** **** Jun. 14, 2011**

(54) **TV RECEIVER**

(75) Inventors: **Young Sun Shin**, Seoul (KR); **Hee Bong Kim**, Seoul (KR)

(73) Assignee: **Samsung Electronics Co., Ltd.**, Suwon-Si (KR)

(**) Term: **14 Years**

(21) Appl. No.: **29/333,311**

(22) Filed: **Mar. 6, 2009**

(51) **LOC (9) Cl.** **14-03**

(52) **U.S. Cl.** **D14/126**

(58) **Field of Classification Search** D14/125-134,
D14/239, 371, 136, 374-377, 440, 450, 448,
D14/336, 342; 312/7.2; 348/836, 838, 180,
348/184, 325, 739; 341/12; 248/917-924,
248/465; 345/104, 133, 156, 168, 87, 173;
720/605, 669, 600, 655; 369/99, 197; 455/344,
455/347; D21/329, 515, 577, 622, 333, 433,
D21/448, 452, 450, 331; D6/477, 479, 300;
273/148 B; 446/484, 175, 356; D10/15,
D10/26

See application file for complete search history.

(56) **References Cited**

U.S. PATENT DOCUMENTS

D576,580	S	*	9/2008	Olivet	D14/126
D593,974	S	*	6/2009	Yang et al.	D14/126
D605,149	S	*	12/2009	Kim et al.	D14/126
D618,188	S	*	6/2010	Tsai	D14/126
D620,903	S	*	8/2010	Song et al.	D14/126
D624,035	S	*	9/2010	Lee et al.	D14/126
D629,769	S	*	12/2010	Zhong	D14/126
D630,209	S	*	1/2011	Lee et al.	D14/374

* cited by examiner

Primary Examiner — Raphael Barkai

(74) *Attorney, Agent, or Firm* — Ladas & Parry LLP

(57) **CLAIM**

We claim the ornamental design for TV receiver, as shown.

DESCRIPTION

FIG. 1 is a front/right-side/top perspective view of a TV receiver showing our new design;

FIG. 2 is a front-side elevational view thereof;

FIG. 3 is a rear-side elevational view thereof;

FIG. 4 is a left-side elevational view thereof;

FIG. 5 is a right-side elevational view thereof;

FIG. 6 is a top-side elevational view thereof; and,

FIG. 7 is a bottom-side elevational view thereof.

1 Claim, 4 Drawing Sheets

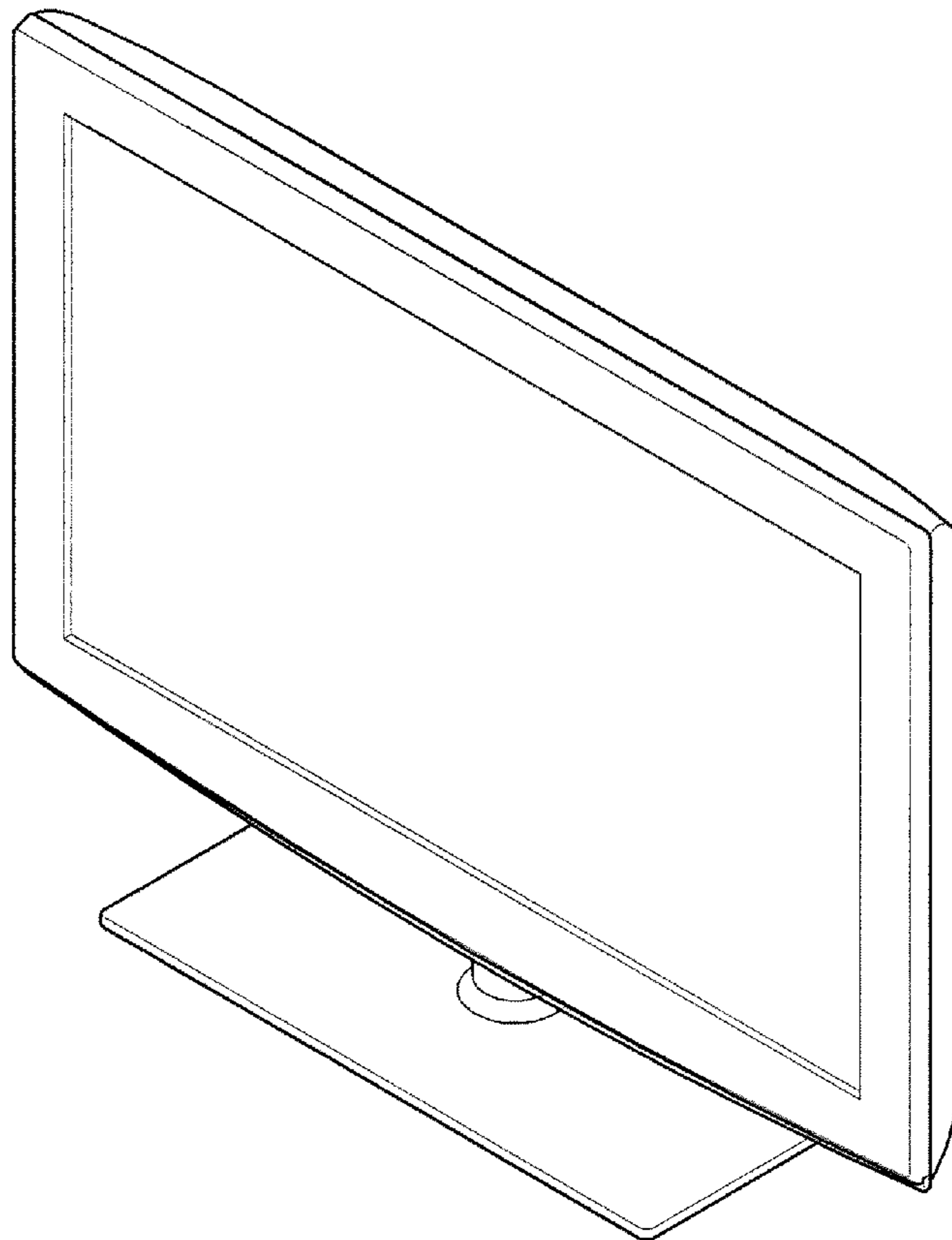


FIG. 1

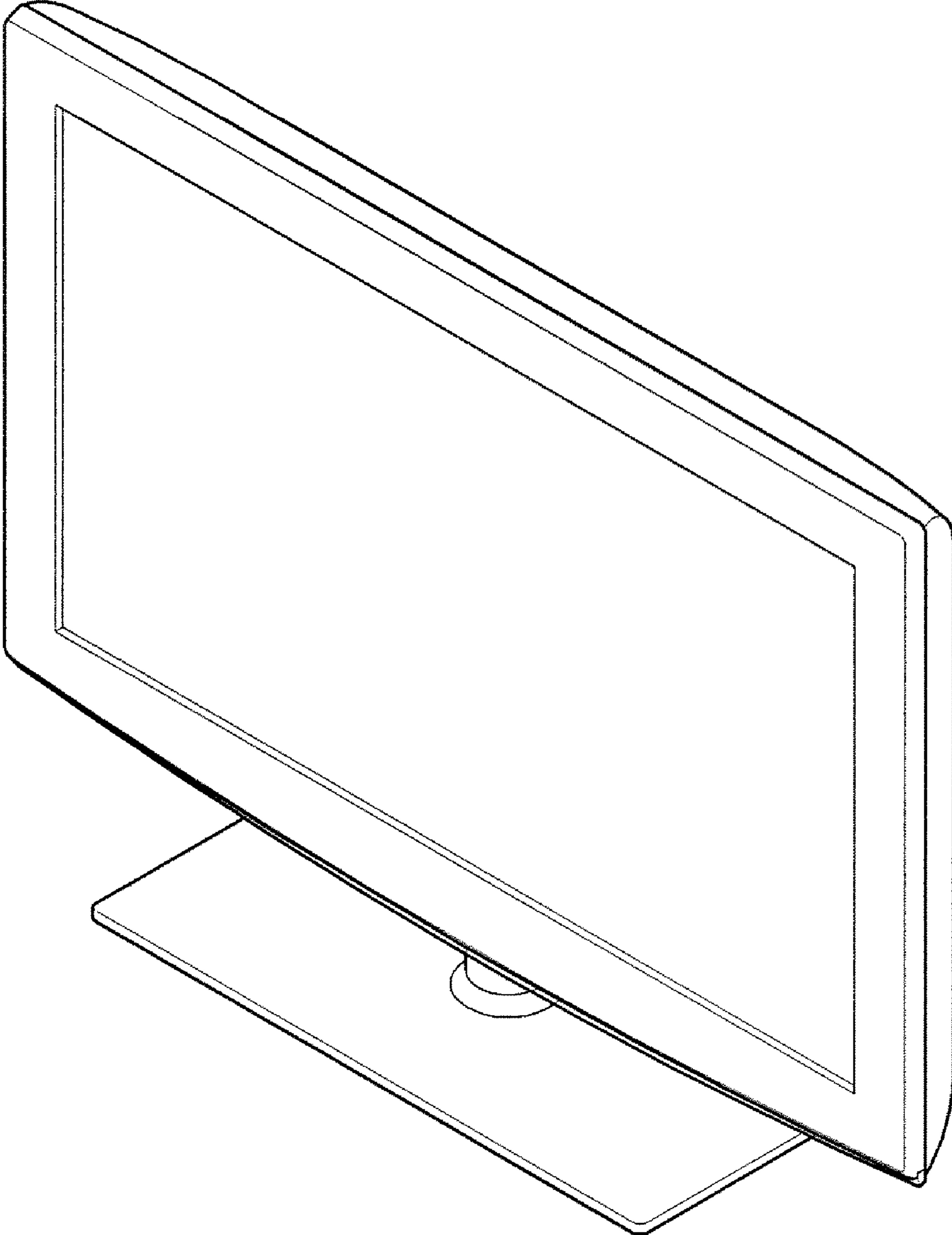


FIG. 2

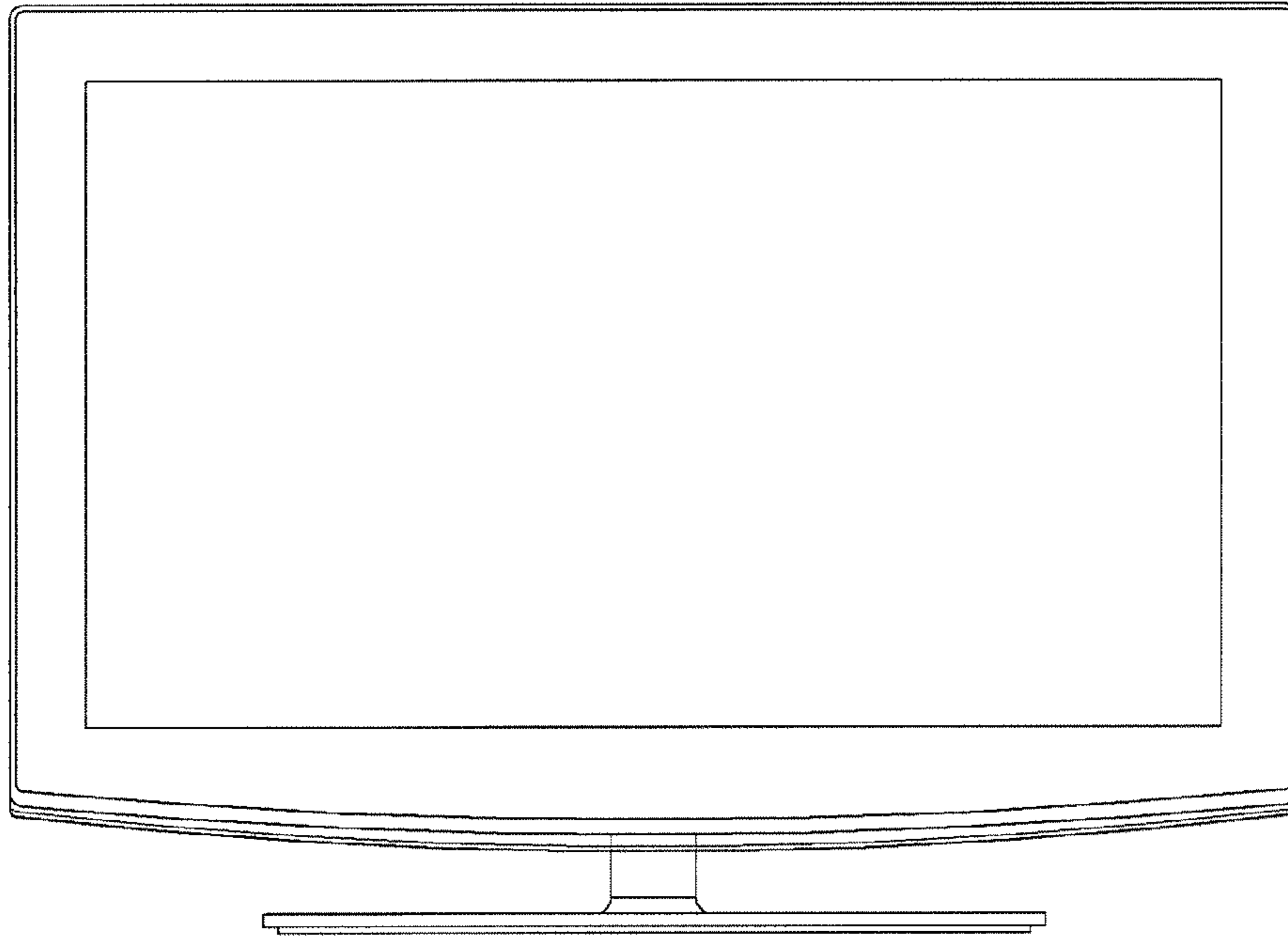


FIG. 3

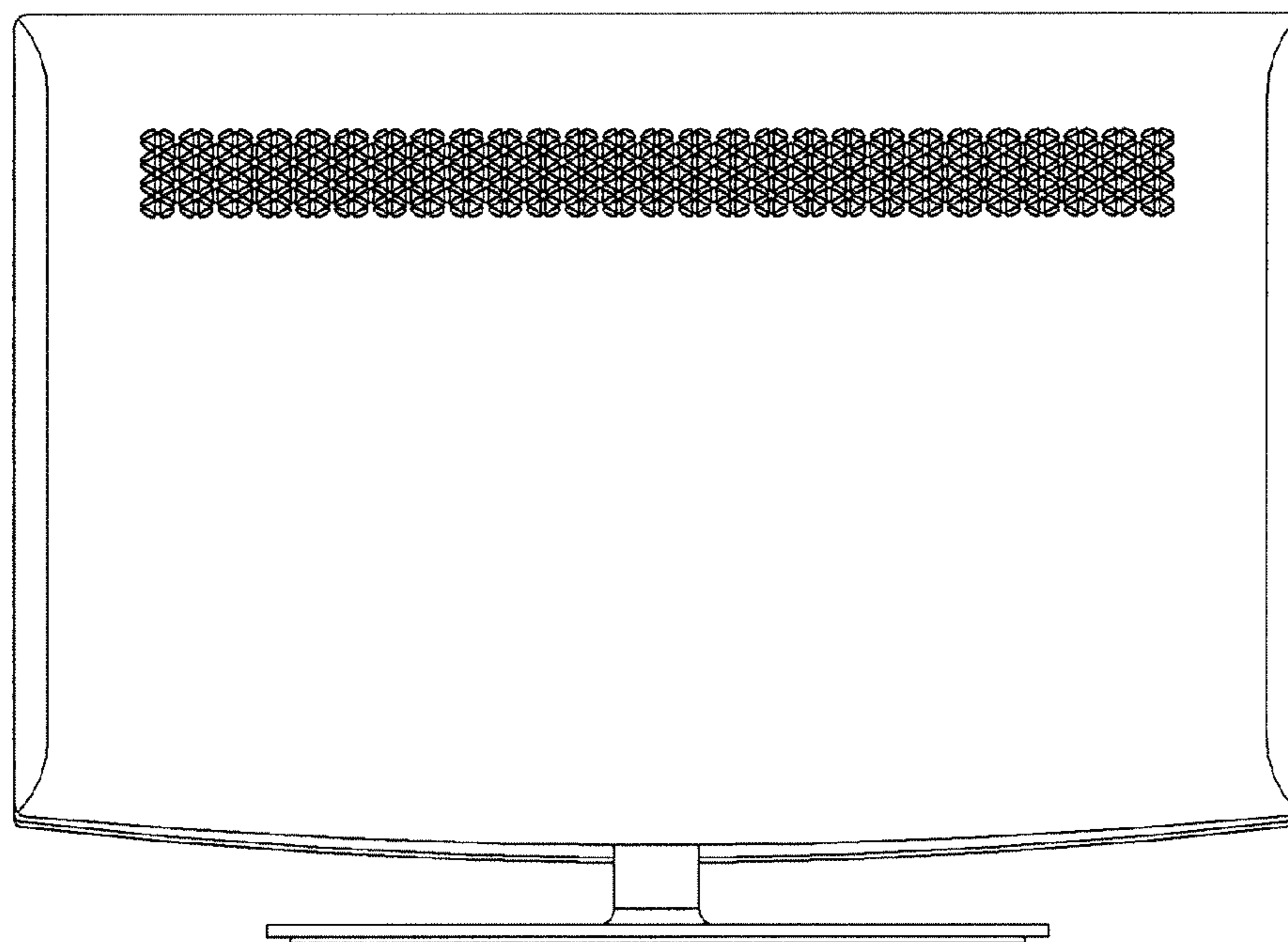


FIG. 4

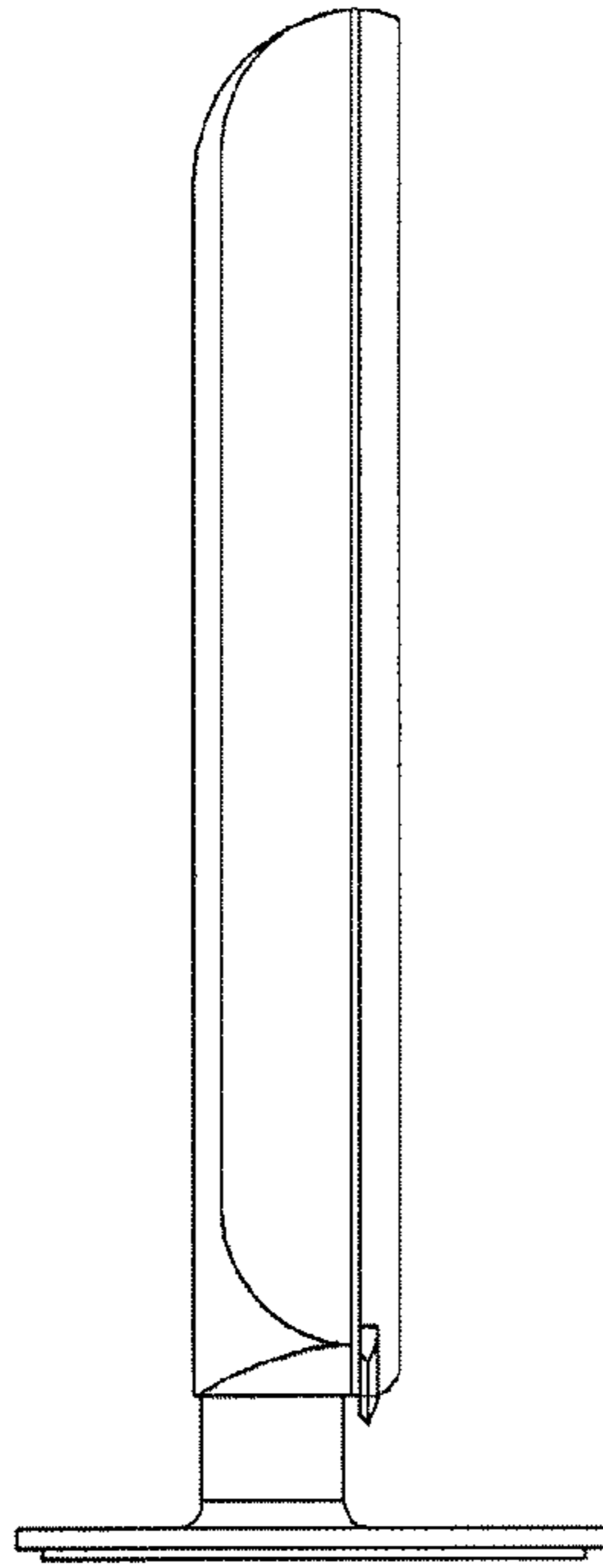


FIG. 5

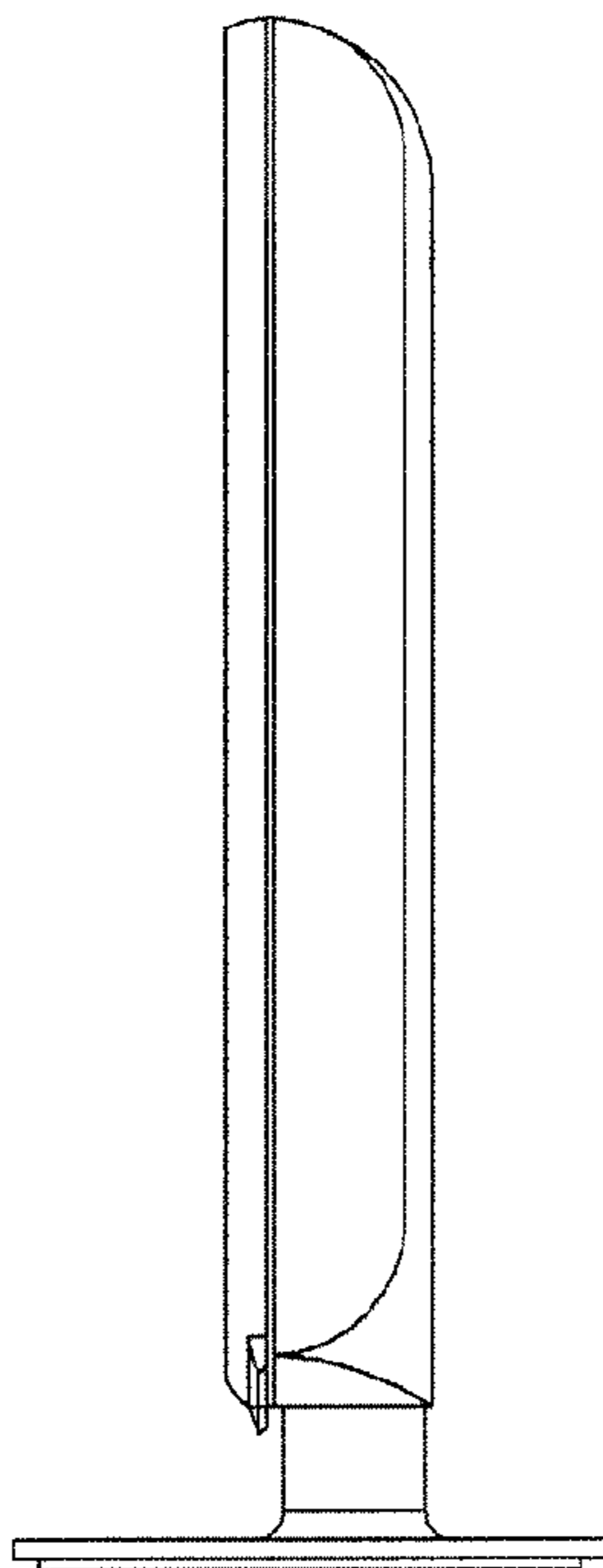


FIG. 6

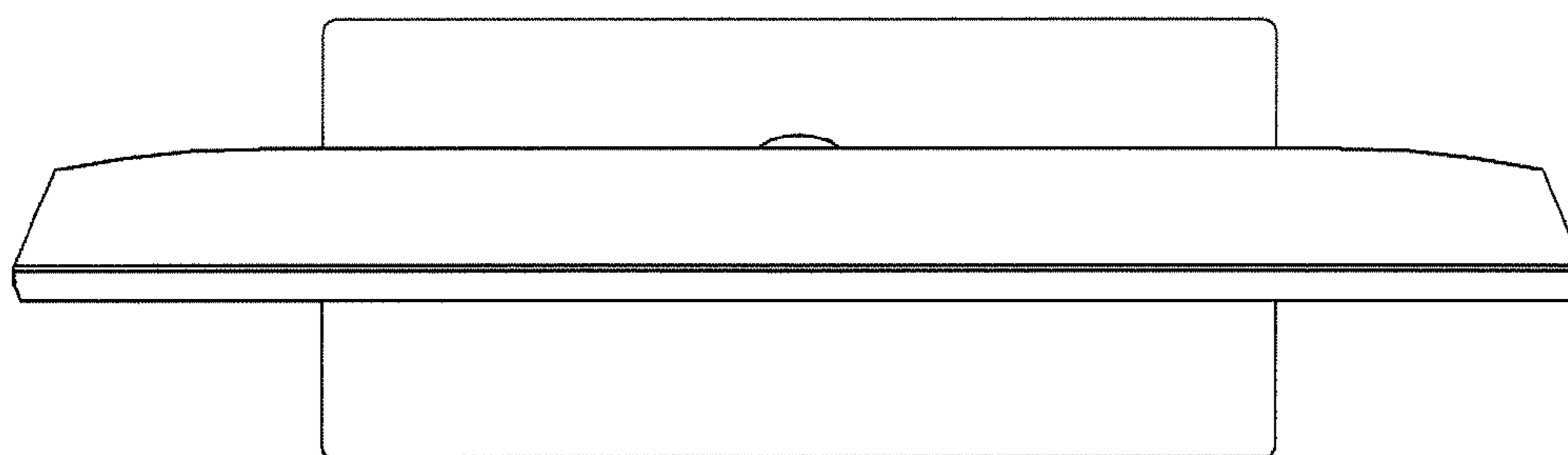


FIG. 7

