



US00D639758S

(12) **United States Design Patent**
Lee et al.

(10) **Patent No.:** **US D639,758 S**
(45) **Date of Patent:** **** Jun. 14, 2011**

(54) **AUDIO-VISUAL APPARATUS**

(75) Inventors: **Myungwhoon Lee**, Seoul (KR); **Hyojin Won**, Seoul (KR)

(73) Assignee: **LG Electronics Inc.**, Seoul (KR)

(**) Term: **14 Years**

(21) Appl. No.: **29/380,277**

(22) Filed: **Dec. 2, 2010**

(30) **Foreign Application Priority Data**

Jun. 3, 2010 (KR) 30-2010-0024462

(51) **LOC (9) Cl.** **14-03**

(52) **U.S. Cl.** **D14/125**

(58) **Field of Classification Search** D14/125-134,
D14/168, 188, 197, 198, 371, 374-377, 496;
312/7.1, 7.2; 348/836, 838, 180, 184, 325,
348/739; 341/12; 349/58; 720/600, 619,
720/646, 647, 655; 455/347-351; 369/75.11,
369/75.21

See application file for complete search history.

(56) **References Cited**

U.S. PATENT DOCUMENTS

D446,449 S * 8/2001 Conway D9/420
D513,617 S * 1/2006 Tierney D14/496
D526,648 S * 8/2006 Andre et al. D14/314

D528,794 S * 9/2006 Lanham et al. D3/294
D542,288 S * 5/2007 Andre et al. D14/314
D568,312 S * 5/2008 Wang et al. D14/356
D601,583 S * 10/2009 Andre et al. D14/496
D603,827 S * 11/2009 Tompkin et al. D14/138 AD
D604,729 S * 11/2009 Andre et al. D14/314
D613,283 S * 4/2010 Andre et al. D14/314
D620,953 S * 8/2010 Andre et al. D14/496
D625,722 S * 10/2010 Park D14/365
2002/0196724 A1 * 12/2002 Henrichs 369/75.1

* cited by examiner

Primary Examiner — Raphael Barkai

Assistant Examiner — Randall Gholson

(74) *Attorney, Agent, or Firm* — Birch, Stewart, Kolasch & Birch, LLP

(57) **CLAIM**

The ornamental design for an audio-visual apparatus, as shown and described.

DESCRIPTION

FIG. 1 is a perspective view of an audio-visual apparatus showing our new design;

FIG. 2 is a front view thereof;

FIG. 3 is a rear view thereof;

FIG. 4 is a left side view thereof;

FIG. 5 is a right side view thereof;

FIG. 6 is a top plan view thereof; and,

FIG. 7 is a bottom plan view thereof.

1 Claim, 6 Drawing Sheets

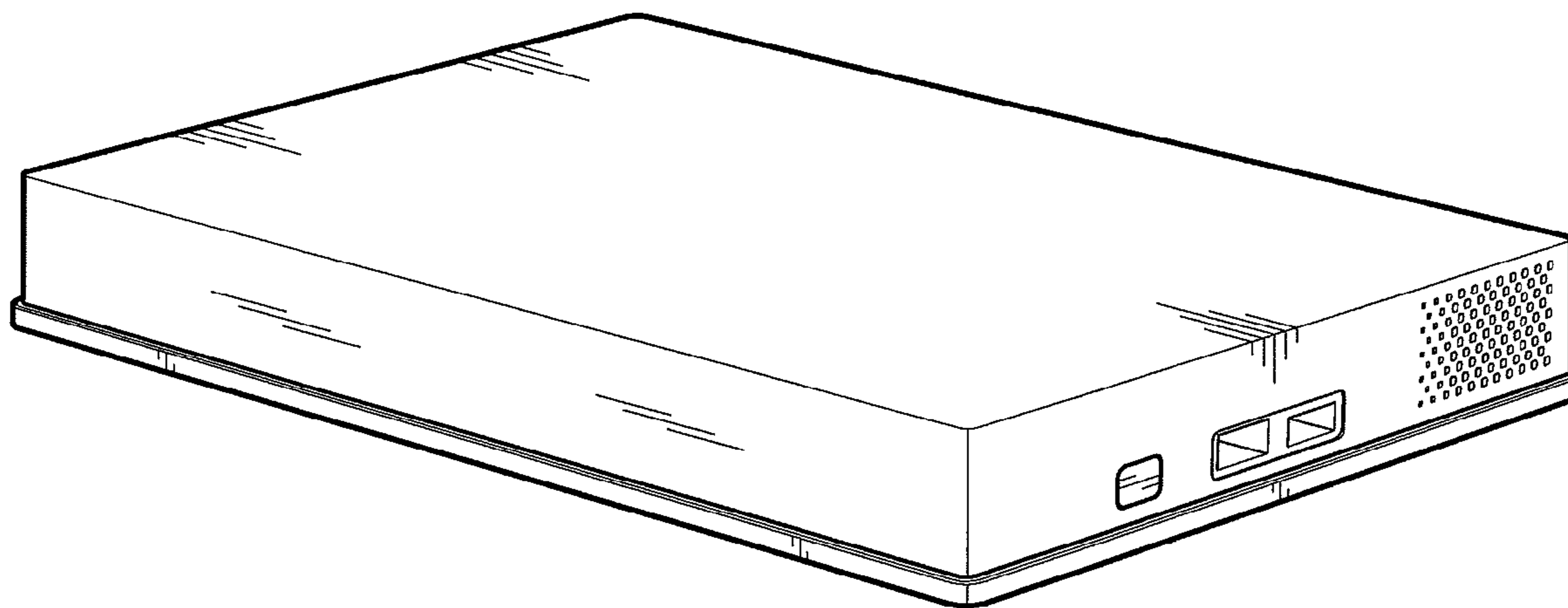


FIG. 1

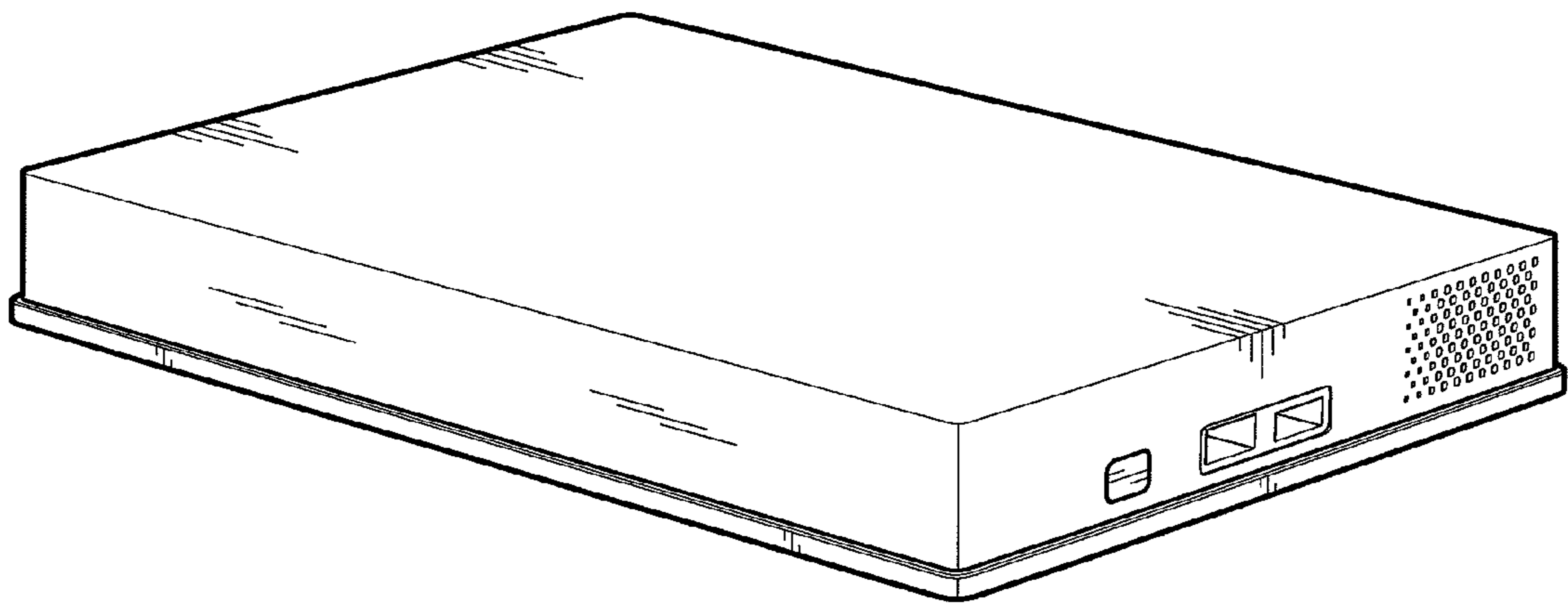


FIG. 2

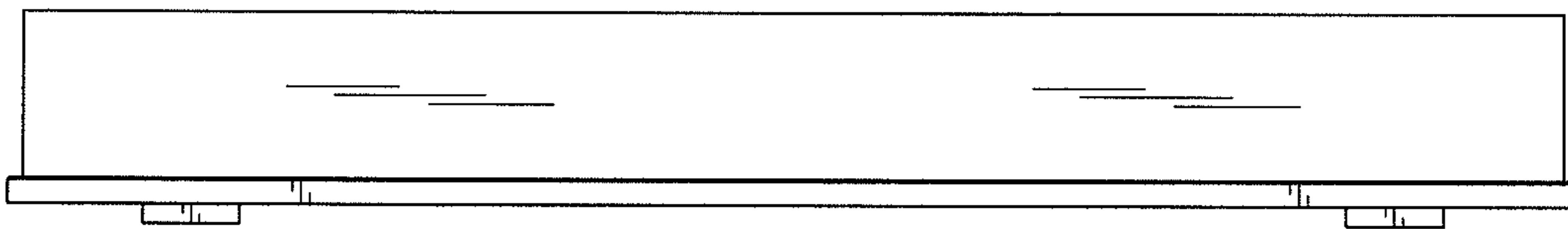


FIG. 3

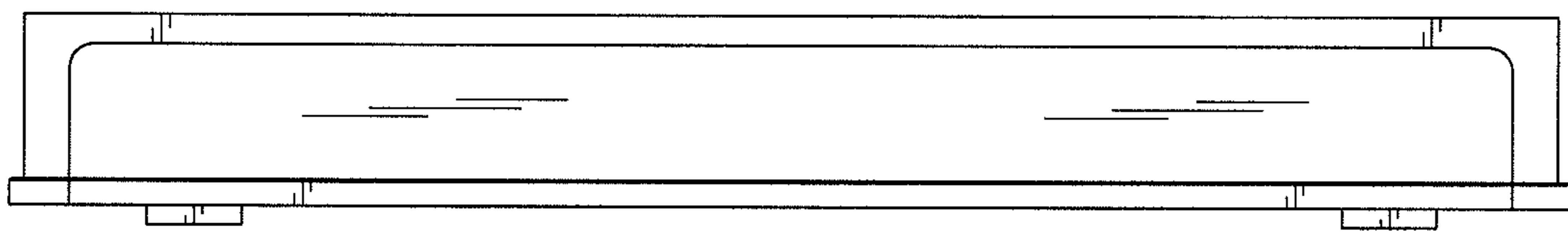


FIG. 4

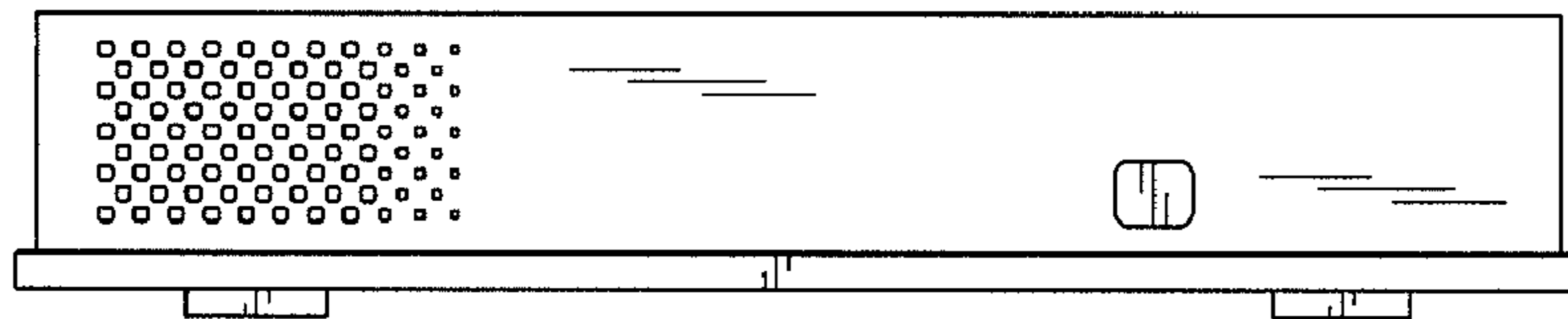


FIG. 5

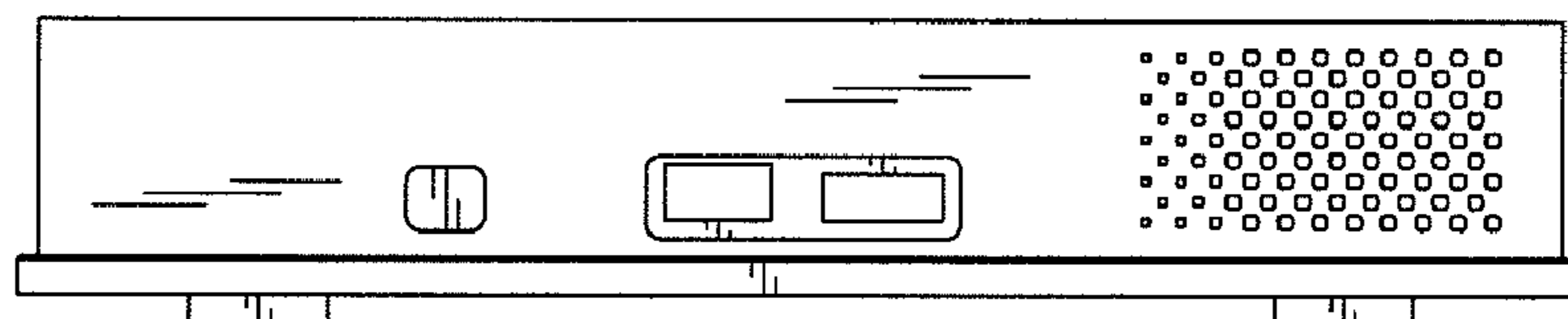


FIG. 6

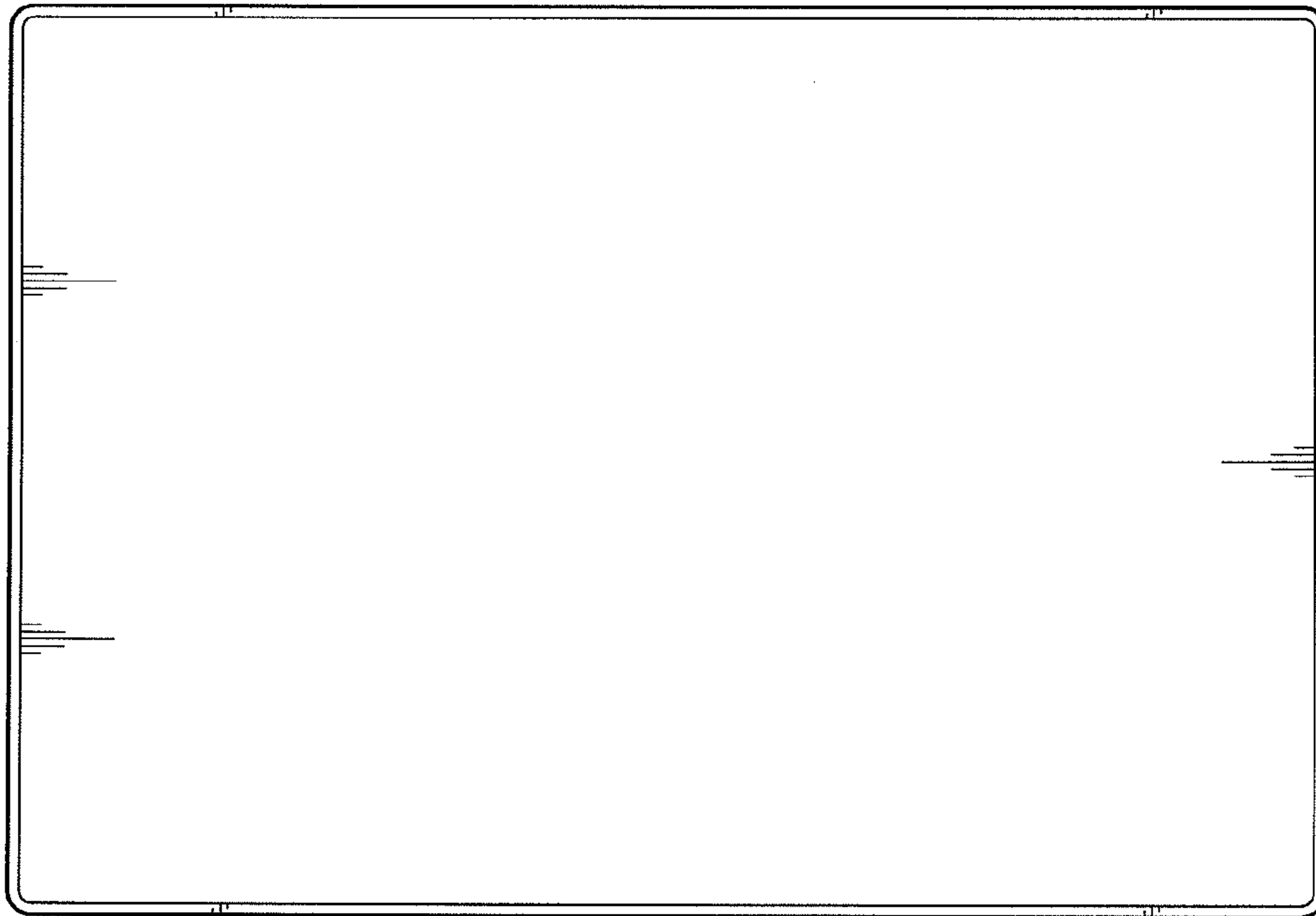


FIG. 7

