



US00D639757S

(12) **United States Design Patent**  
**Root et al.**

(10) **Patent No.:** **US D639,757 S**

(45) **Date of Patent:** **\*\* Jun. 14, 2011**

(54) **TOP CONTACT LAYOUT BOARD IN AN ELECTRICAL SYSTEM**

(75) Inventors: **Bryan J. Root**, Apple Valley, MN (US);  
**William A. Funk**, Eagan, MN (US)

(73) Assignee: **Celadon Systems, Inc.**, Apple Valley, MN (US)

(\*\*) Term: **14 Years**

(21) Appl. No.: **29/367,935**

(22) Filed: **Aug. 16, 2010**

(51) **LOC (9) Cl.** ..... **13-03**

(52) **U.S. Cl.** ..... **D13/182**

(58) **Field of Classification Search** ..... D13/182;  
D7/585; 174/250, 253, 255; 257/690, 692,  
257/697, 695, 748, 786, 773; 361/777; 29/829  
See application file for complete search history.

(56) **References Cited**

**U.S. PATENT DOCUMENTS**

D225,434	S	*	12/1972	Cleeland	.....	D7/585
3,795,845	A	*	3/1974	Cass et al.	.....	257/786
4,495,377	A	*	1/1985	Johnson et al.	.....	174/268
D320,361	S	*	10/1991	Karasawa	.....	D10/103
5,091,822	A	*	2/1992	Takashima	.....	361/695
5,210,682	A	*	5/1993	Takashima	.....	361/744
5,491,364	A	*	2/1996	Brandenburg et al.	.....	257/786

6,160,716	A	*	12/2000	Perino et al.	.....	361/785
6,310,398	B1	*	10/2001	Katz	.....	257/773
6,556,454	B1	*	4/2003	D'Amato et al.	.....	361/777
6,664,620	B2	*	12/2003	Siu et al.	.....	257/692
6,793,500	B1	*	9/2004	Budell et al.	.....	439/55
D552,048	S	*	10/2007	He	.....	D13/182
7,808,110	B2	*	10/2010	Wang et al.	.....	257/773
2002/0060318	A1	*	5/2002	Katz	.....	257/24

\* cited by examiner

*Primary Examiner* — Selina Sikder

(74) *Attorney, Agent, or Firm* — Hamre, Schumann, Mueller & Larson, P.C.

(57) **CLAIM**

The ornamental design for a top contact layout board in an electrical system, as shown and described.

**DESCRIPTION**

FIG. 1 is a front view of a top contact layout board in an electrical system.

FIG. 2 is a side view taken from the left of FIG. 1.

FIG. 3 is a side view taken from the right of FIG. 1.

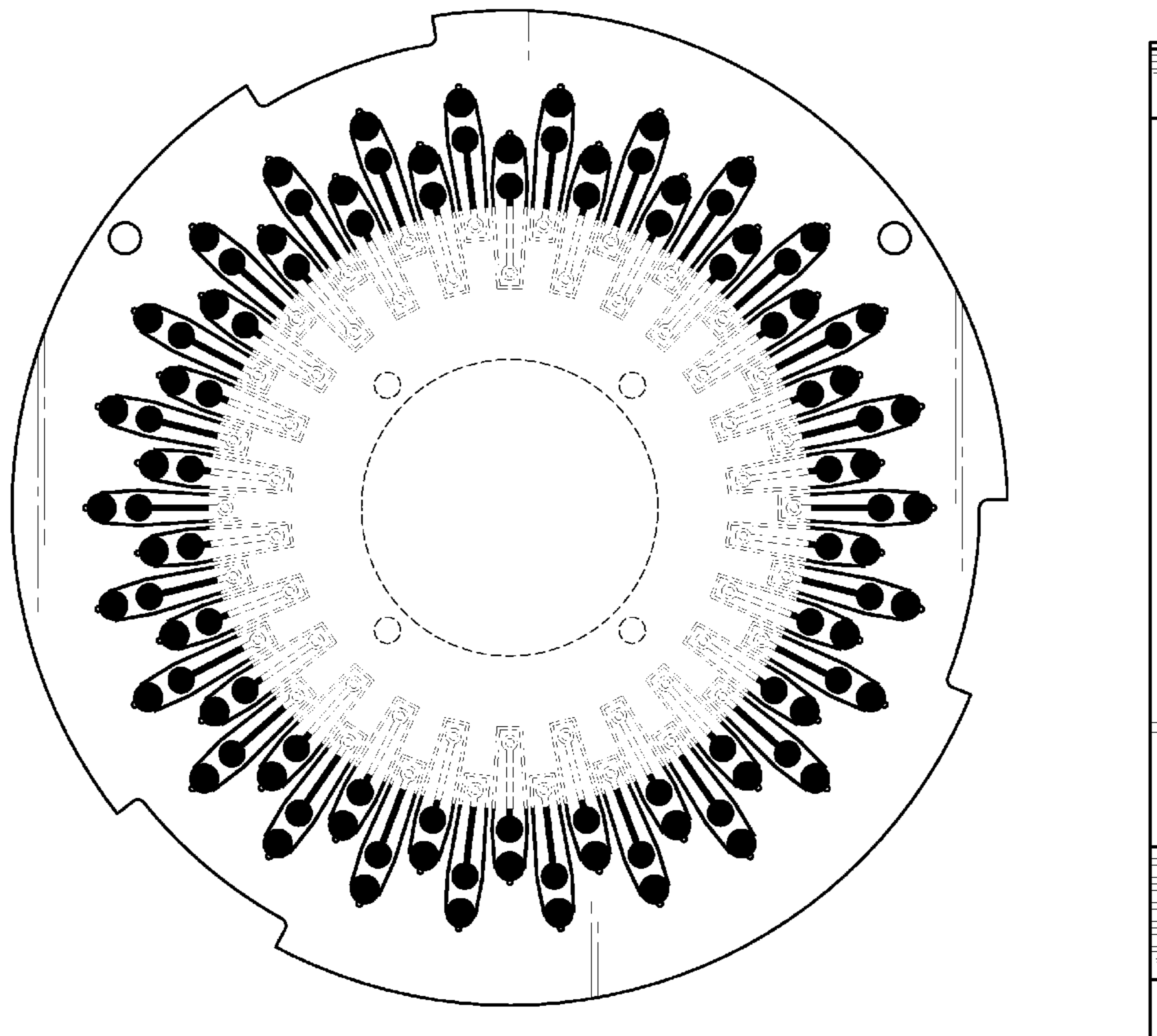
FIG. 4 is a side view taken from the top of FIG. 1.

FIG. 5 is a side view taken from the bottom of FIG. 1; and,

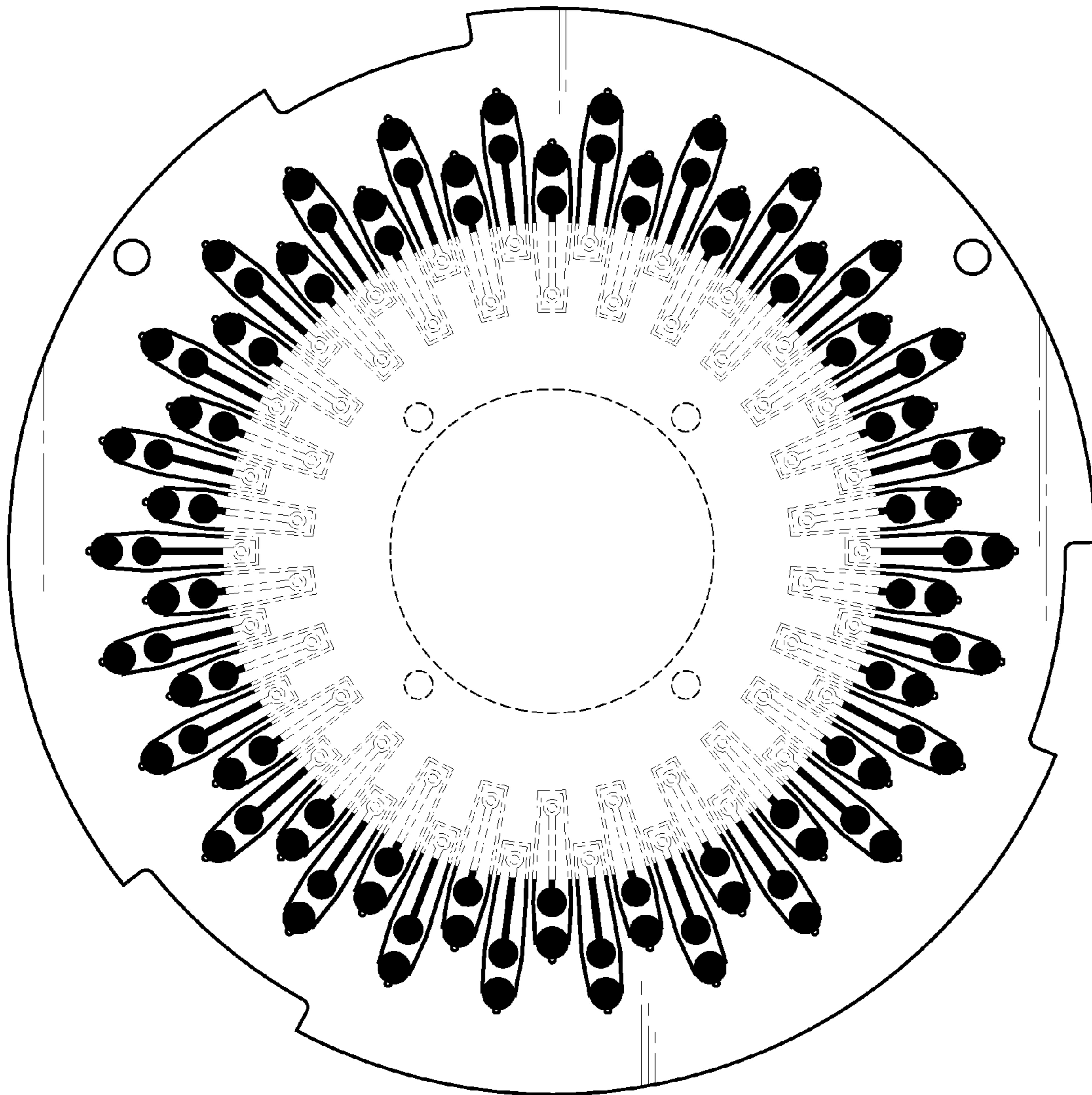
FIG. 6 is a rear view taken from the opposite of the front view shown in FIG. 1.

The broken lines shown in FIGS. 1 and 6 views are for illustrative purposes only and form no part of the claimed design.

**1 Claim, 3 Drawing Sheets**



*Fig. 1*



*Fig. 2*



*Fig. 3*



*Fig. 4*



*Fig. 5*



*Fig. 6*

