



US00D639754S

(12) **United States Design Patent**
Hontz

(10) **Patent No.:** **US D639,754 S**
(45) **Date of Patent:** **** Jun. 14, 2011**

- (54) **APPLIANCE CONTROL PANEL**
- (75) Inventor: **Jeffrey Walter Hontz**, Rural Hall, NC (US)
- (73) Assignee: **BE Aerospace, Inc.**, Wellington, FL (US)
- (**) Term: **14 Years**
- (21) Appl. No.: **29/361,774**
- (22) Filed: **May 14, 2010**
- (51) **LOC (9) Cl.** **13-03**
- (52) **U.S. Cl.** **D13/177; D13/162**
- (58) **Field of Classification Search** D13/162, D13/164, 177; D10/49, 50; D14/443; D7/405, D7/406; 340/500; 341/22, 34; 345/156, 345/173; 361/600, 601, 622, 627, 628, 679.01; 700/17, 83; 715/700, 810; 200/5 R, 5 A, 200/296, 308, 310, 314
See application file for complete search history.

D357,461 S *	4/1995	Zaplatynsky et al.	D13/177
D382,880 S *	8/1997	Cienkus et al.	D14/240
D468,962 S *	1/2003	Jones et al.	D7/405
6,563,061 B2 *	5/2003	Takahashi	200/5 A
6,681,104 B1 *	1/2004	Scheuer et al.	455/345
D572,203 S *	7/2008	Ha et al.	D13/164
D601,514 S *	10/2009	Lin	D13/177
2003/0150699 A1 *	8/2003	Song et al.	200/5 A
2007/0151836 A1 *	7/2007	Oh	200/314

* cited by examiner

Primary Examiner — Selina Sikder
(74) *Attorney, Agent, or Firm* — Oliff & Berridge, PLC

(57) **CLAIM**
The ornamental design for an appliance control panel, as shown and described.

DESCRIPTION

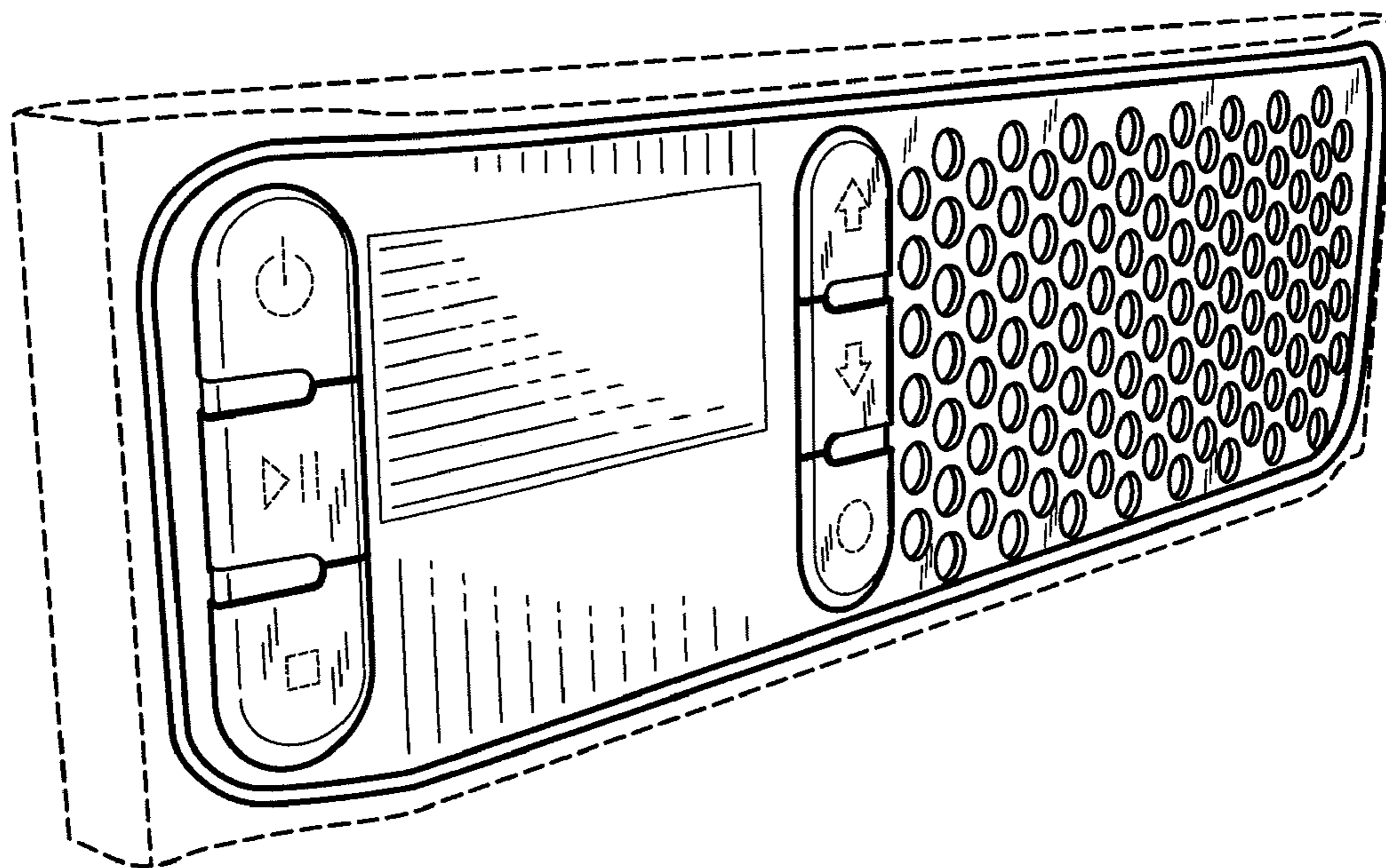
FIG. 1 is a front elevation view of an appliance control panel showing the new design;
FIG. 2 is a left-side, three-quarter perspective view thereof; and,
FIG. 3 is a right-side, three-quarter perspective view thereof. The broken line showing of the associated appliance is included for the purpose of illustrating environmental structure and forms no part of the claimed design.

1 Claim, 3 Drawing Sheets

(56) **References Cited**

U.S. PATENT DOCUMENTS

D287,486 S *	12/1986	Points et al.	D13/164
4,894,493 A *	1/1990	Smith et al.	200/5 A
D344,684 S *	3/1994	Metz et al.	D10/103



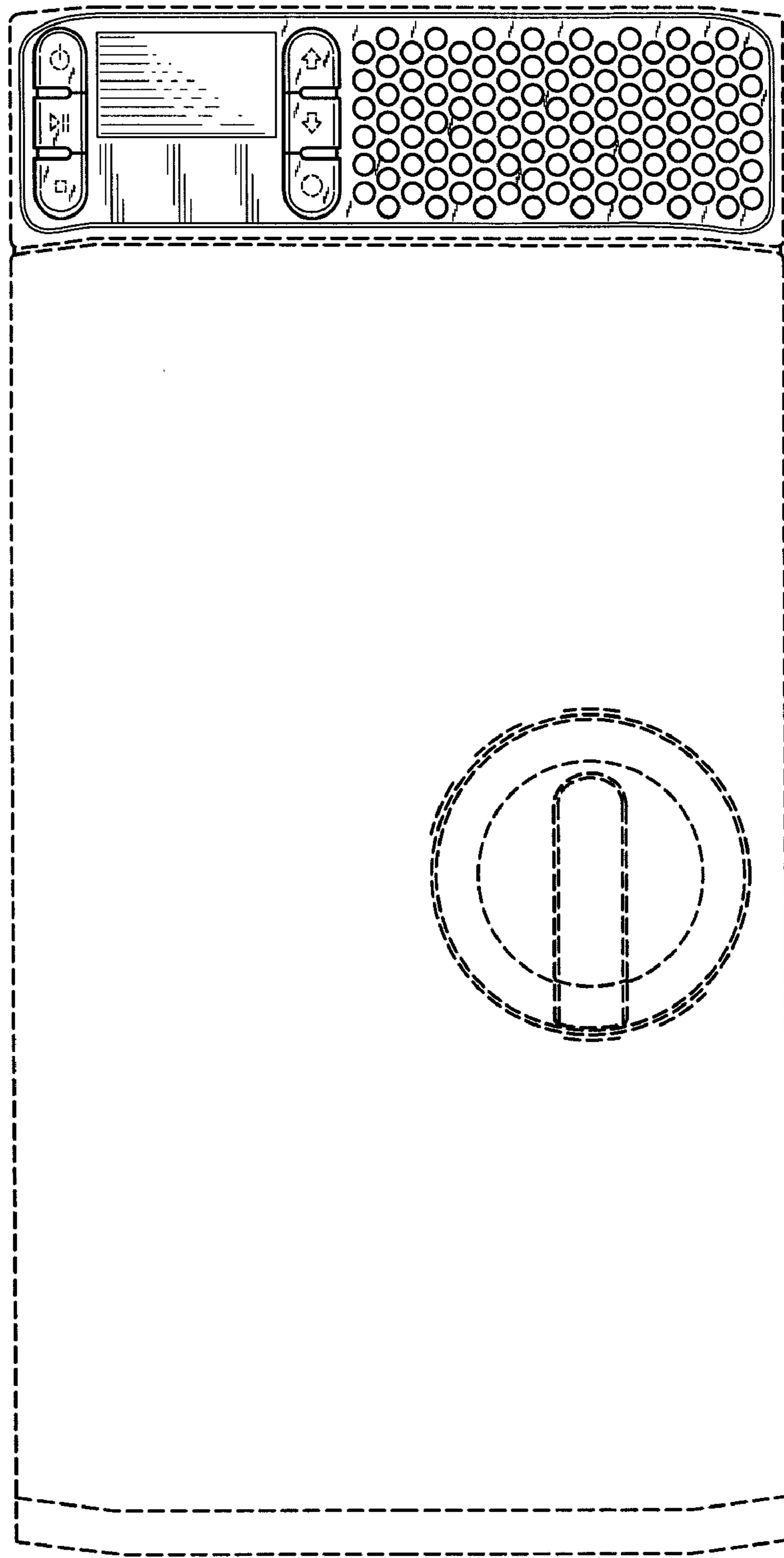


Fig. 1

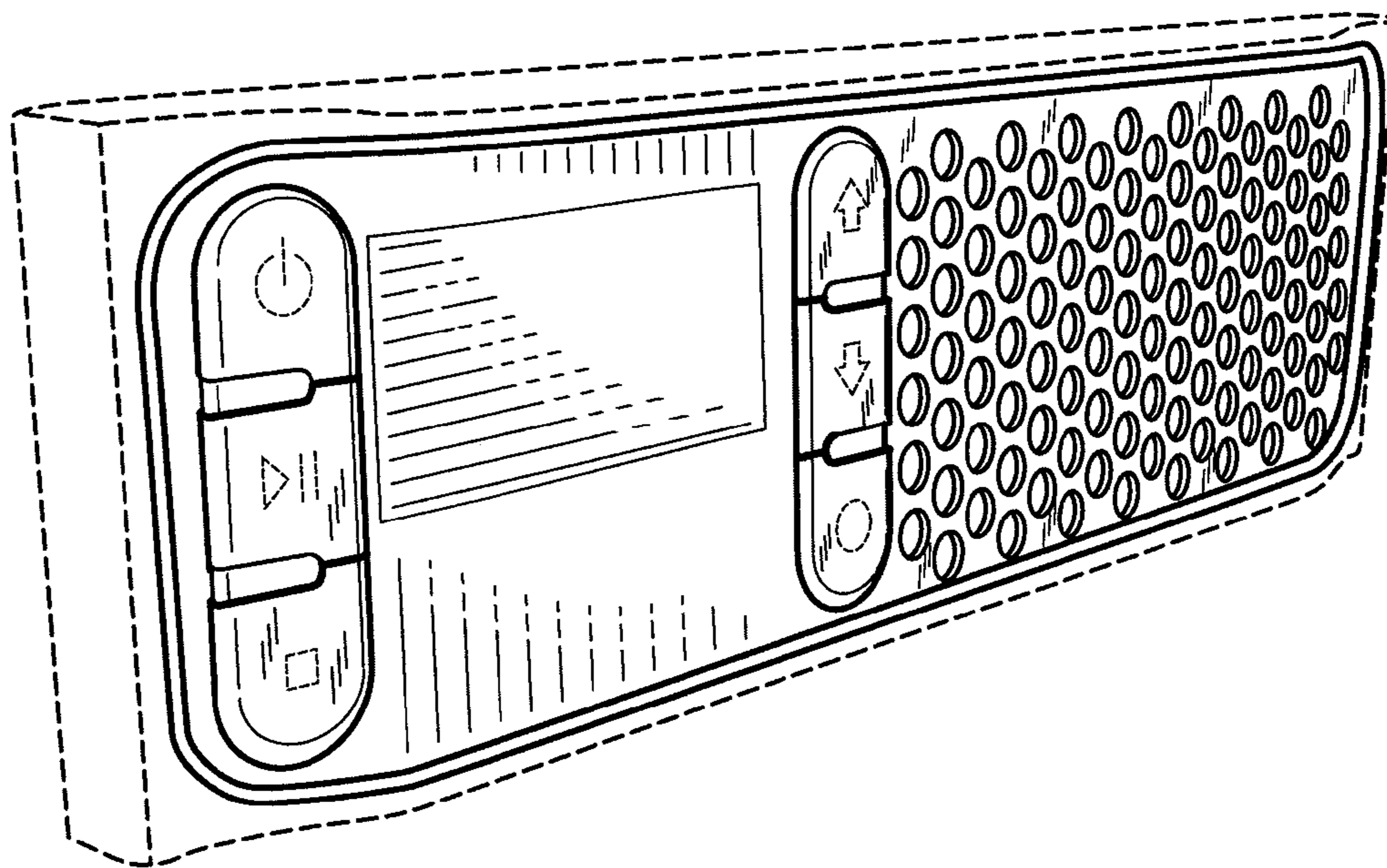


Fig. 2

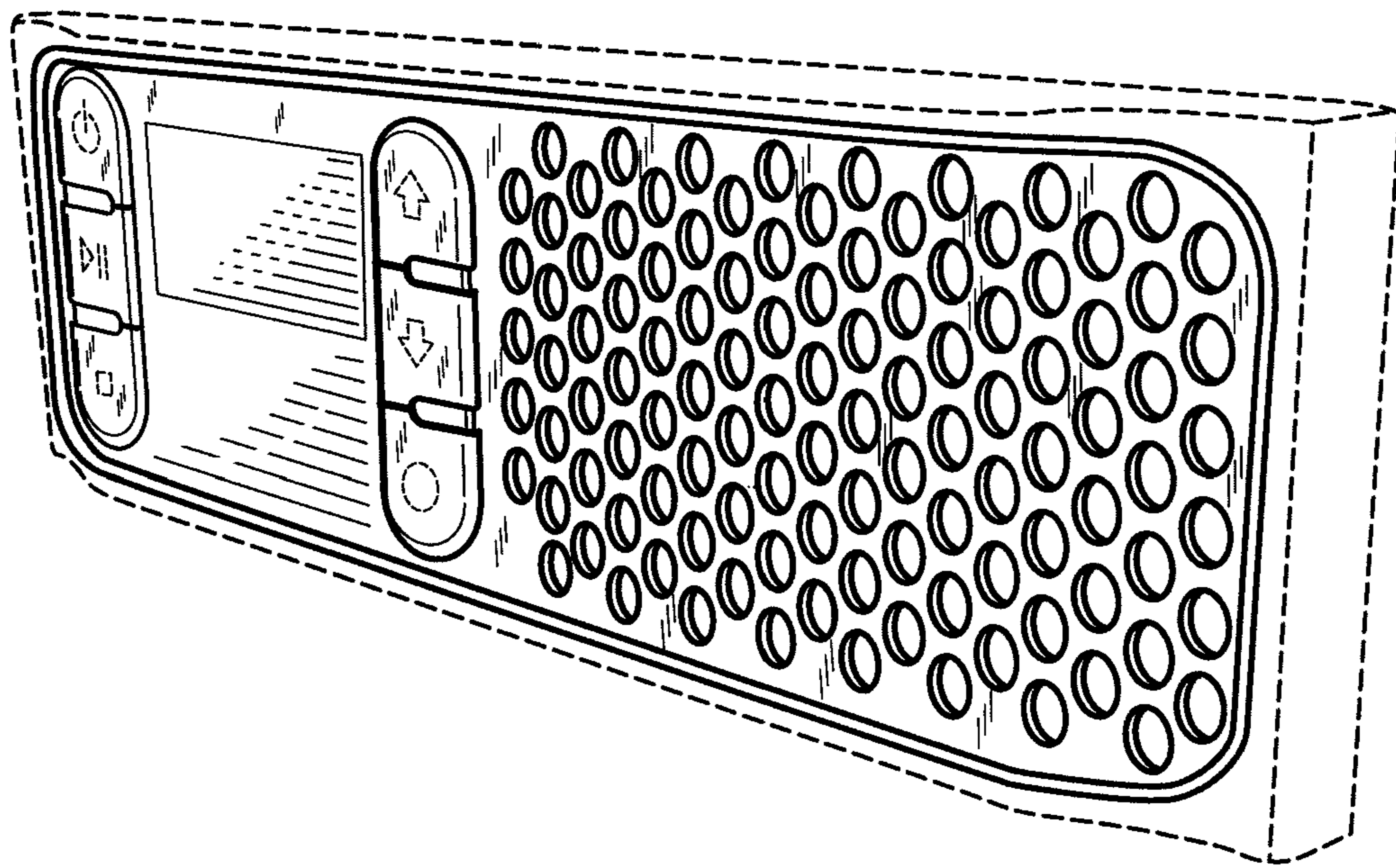


Fig. 3