



US00D639749S

(12) **United States Design Patent**  
**Asada**

(10) **Patent No.:** **US D639,749 S**  
(45) **Date of Patent:** **\*\* Jun. 14, 2011**

(54) **SWITCH**

(75) Inventor: **Makoto Asada, Yao (JP)**

(73) Assignee: **Hosiden Corporation, Osaka (JP)**

(\*\*) Term: **14 Years**

(21) Appl. No.: **29/354,561**

(22) Filed: **Jan. 26, 2010**

(30) **Foreign Application Priority Data**

Jul. 30, 2009 (JP) ..... 2009-017431

(51) **LOC (9) Cl.** ..... **13-03**

(52) **U.S. Cl.** ..... **D13/158; D13/173**

(58) **Field of Classification Search** ..... D13/158,  
D13/169, 171, 173, 174, 175; 200/1 B, 5 A,  
200/6 R, 293-297, 314, 315, 341, 344, 406,  
200/513, 520, 523, 530

See application file for complete search history.

(56) **References Cited**

**U.S. PATENT DOCUMENTS**

4,412,113	A	10/1983	Mitsugi et al.
D294,344	S	2/1988	Troutman et al.
D297,727	S	9/1988	Saito
D301,136	S	5/1989	Saito
4,843,197	A	6/1989	Kojima et al.
4,913,285	A	4/1990	Tsutsumi et al.
4,987,278	A	1/1991	Tsutsumi
5,245,147	A	9/1993	Kobayashi
5,760,352	A	6/1998	Ishihara et al.
5,828,016	A	10/1998	Grannan et al.
5,898,147	A	4/1999	Domzalski et al.
6,140,596	A	10/2000	Tsay
6,943,305	B2	9/2005	Kawamura et al.
6,995,324	B2	2/2006	Asada

D533,144	S	12/2006	Asada	
D537,797	S	3/2007	Yanai et al.	
7,250,581	B2	7/2007	Asada	
D568,256	S	5/2008	Asada	
7,449,654	B2	11/2008	Tsudoku	
D582,356	S *	12/2008	Yamanaka	D13/169
7,525,059	B2	4/2009	Masuda et al.	
D612,816	S *	3/2010	Asada	D13/174
D613,254	S *	4/2010	Tsudoku	D13/158
D621,373	S *	8/2010	Asada	D13/171
D627,745	S *	11/2010	Asada	D13/173
2006/0131153	A1	6/2006	Asada	
2007/0151833	A1	7/2007	Sun	
2008/0173522	A1 *	7/2008	Asada	200/4
2009/0266689	A1	10/2009	Kikuchi et al.	

**FOREIGN PATENT DOCUMENTS**

JP 1266409 S 3/2006

\* cited by examiner

*Primary Examiner* — Thomas Johannes

(74) *Attorney, Agent, or Firm* — The Webb Law Firm

(57) **CLAIM**

The ornamental design for a switch, as shown and described.

**DESCRIPTION**

FIG. 1 is a front elevation view of a switch showing my new design;

FIG. 2 is a rear elevation view thereof;

FIG. 3 is a left side elevation view thereof;

FIG. 4 is a right side elevation view thereof;

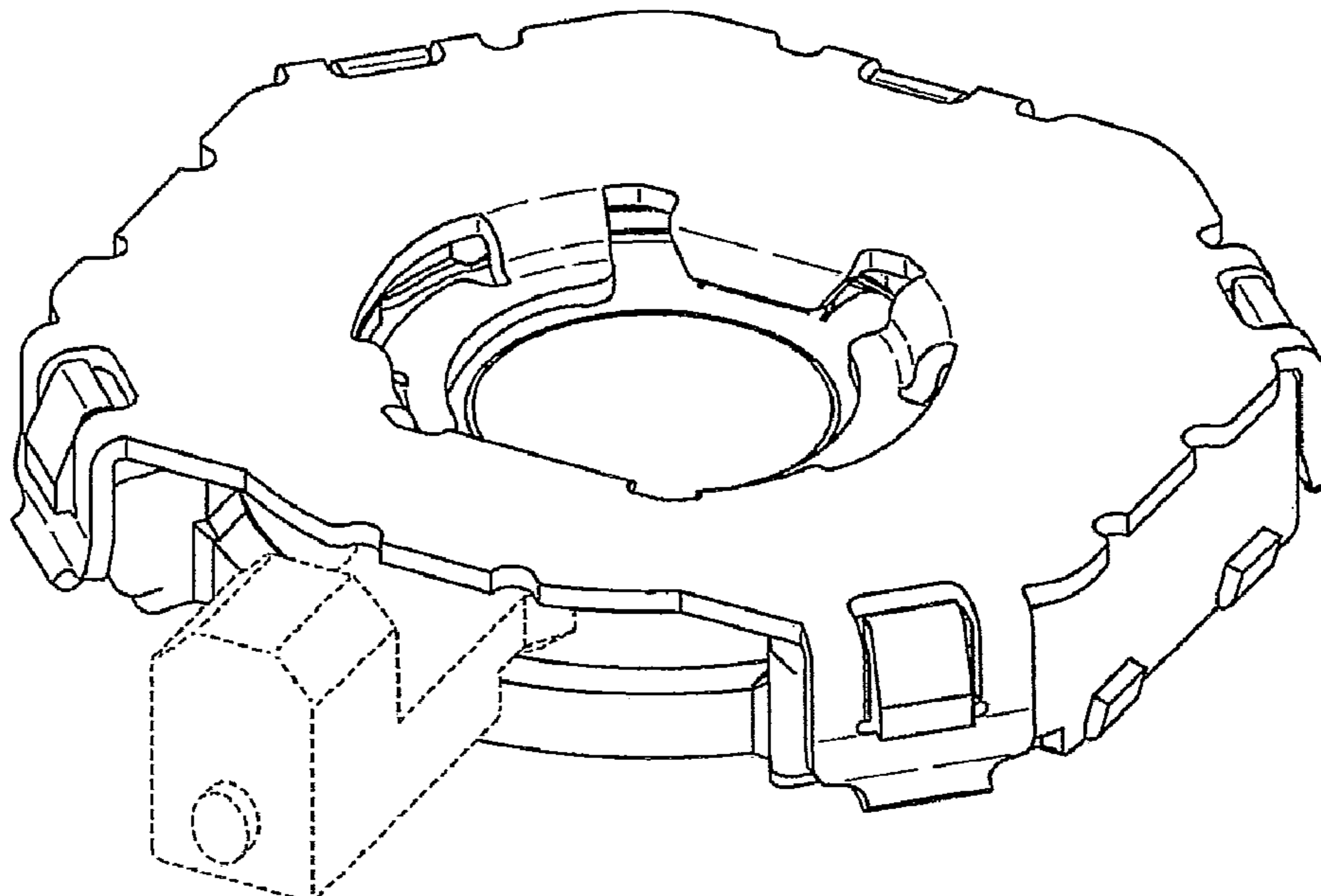
FIG. 5 is a top plan view thereof;

FIG. 6 is an enlarged perspective view thereof; and,

FIG. 7 is an enlarged cross sectional view thereof taken in the direction of line 7-7 in FIG. 1.

The dashed lines show unclaimed subject matter form no part of the claimed design.

**1 Claim, 7 Drawing Sheets**



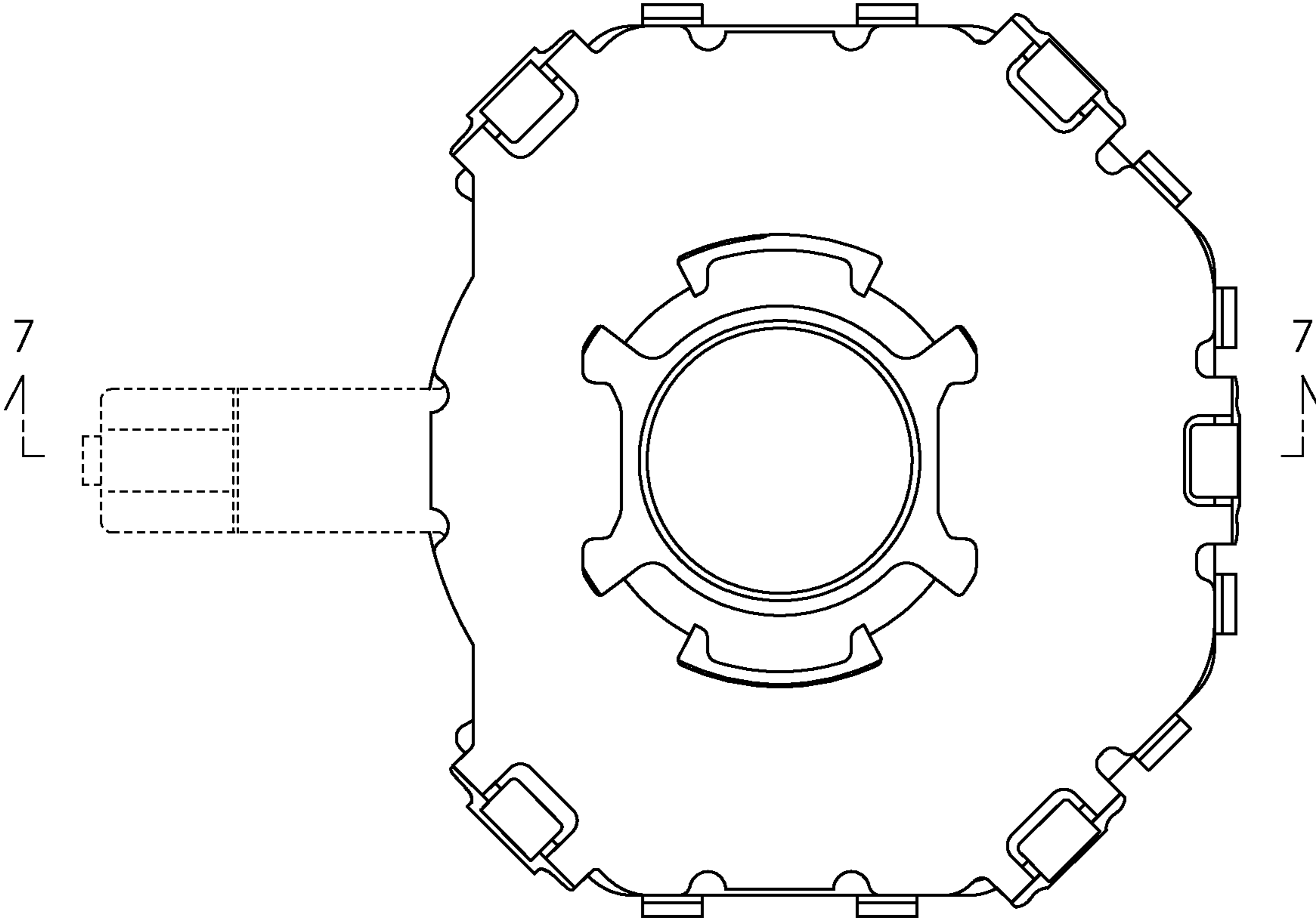
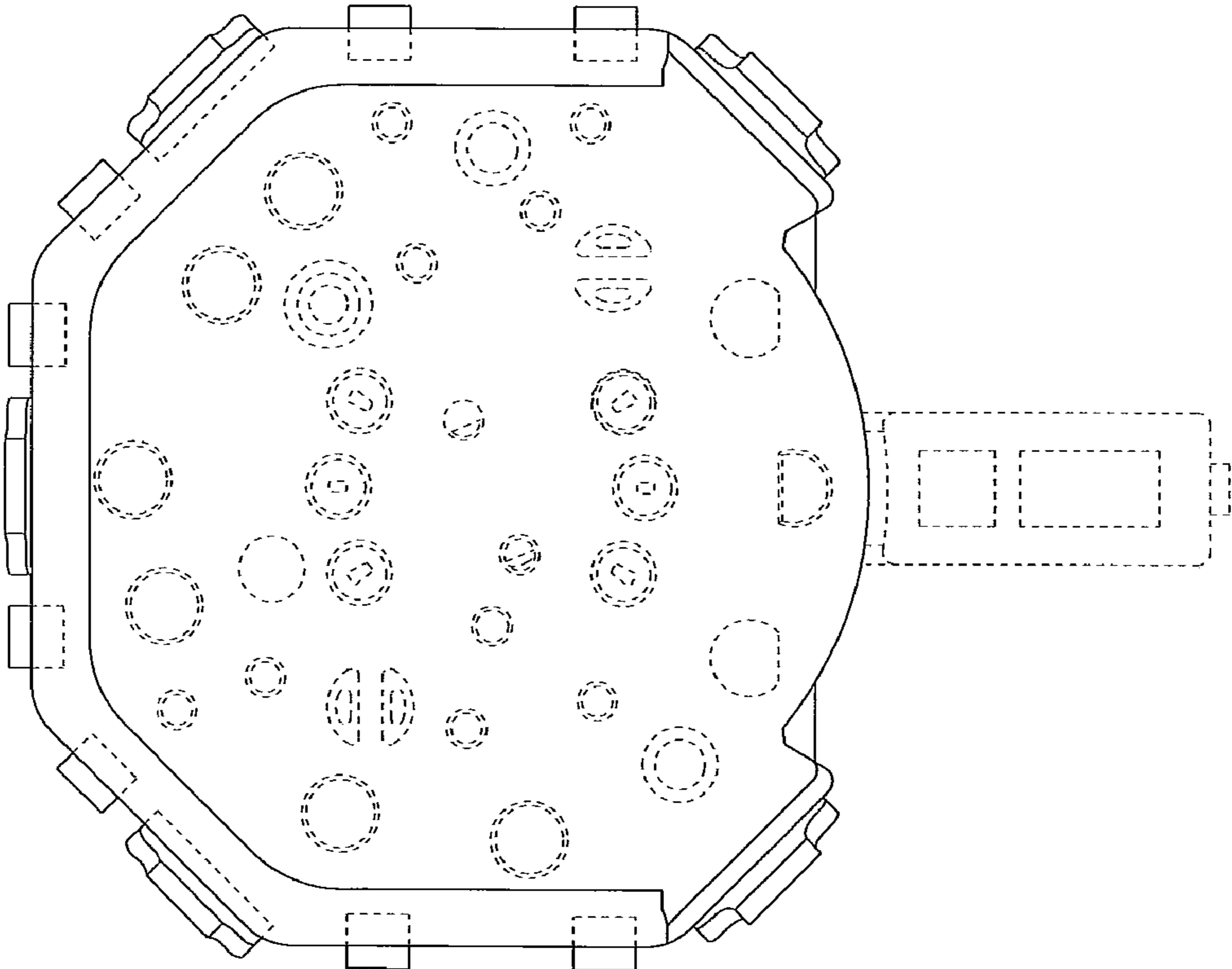


Fig. 1



**FIG. 2**

Fig. 3

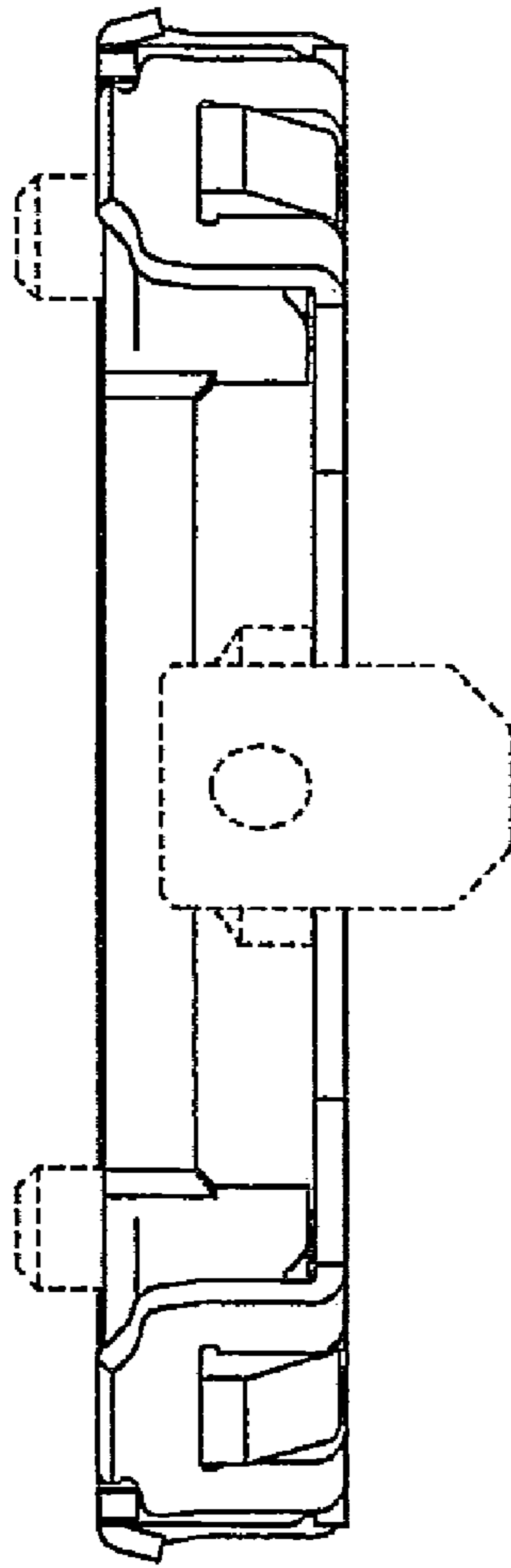


Fig. 4

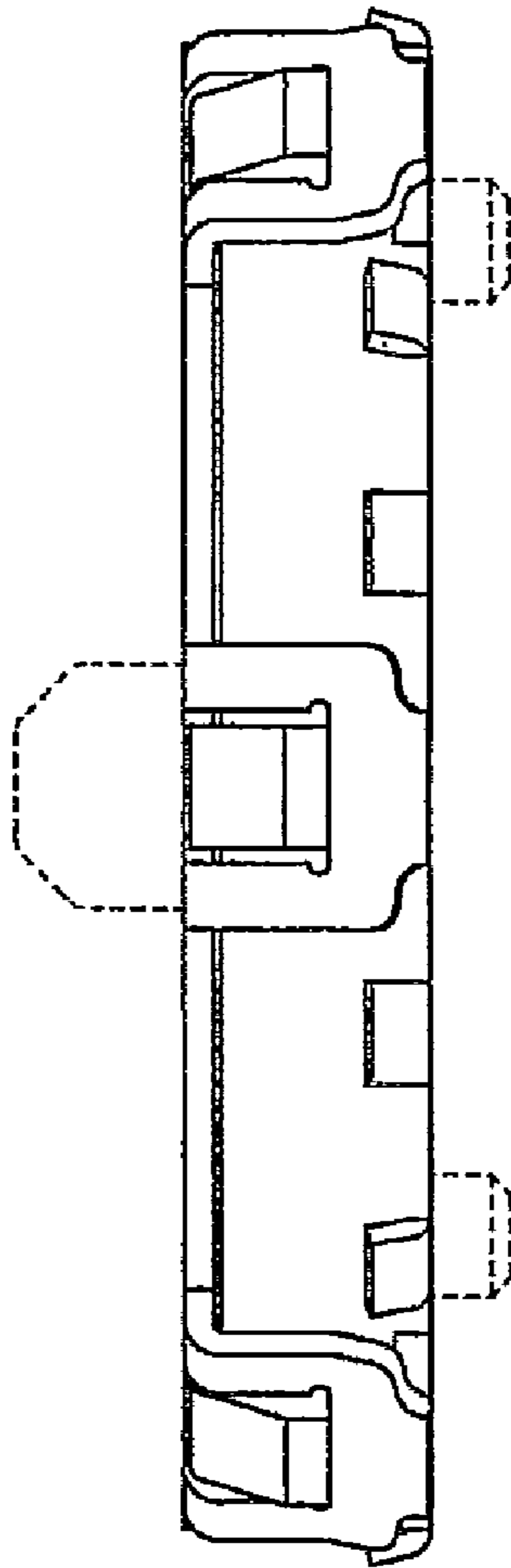


Fig. 5

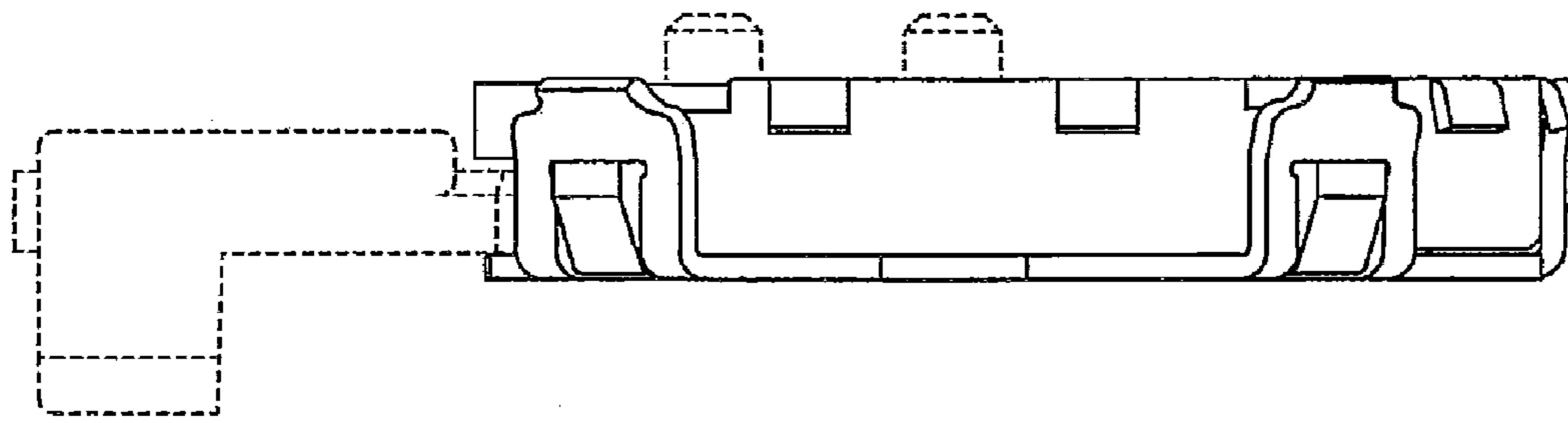


Fig. 6

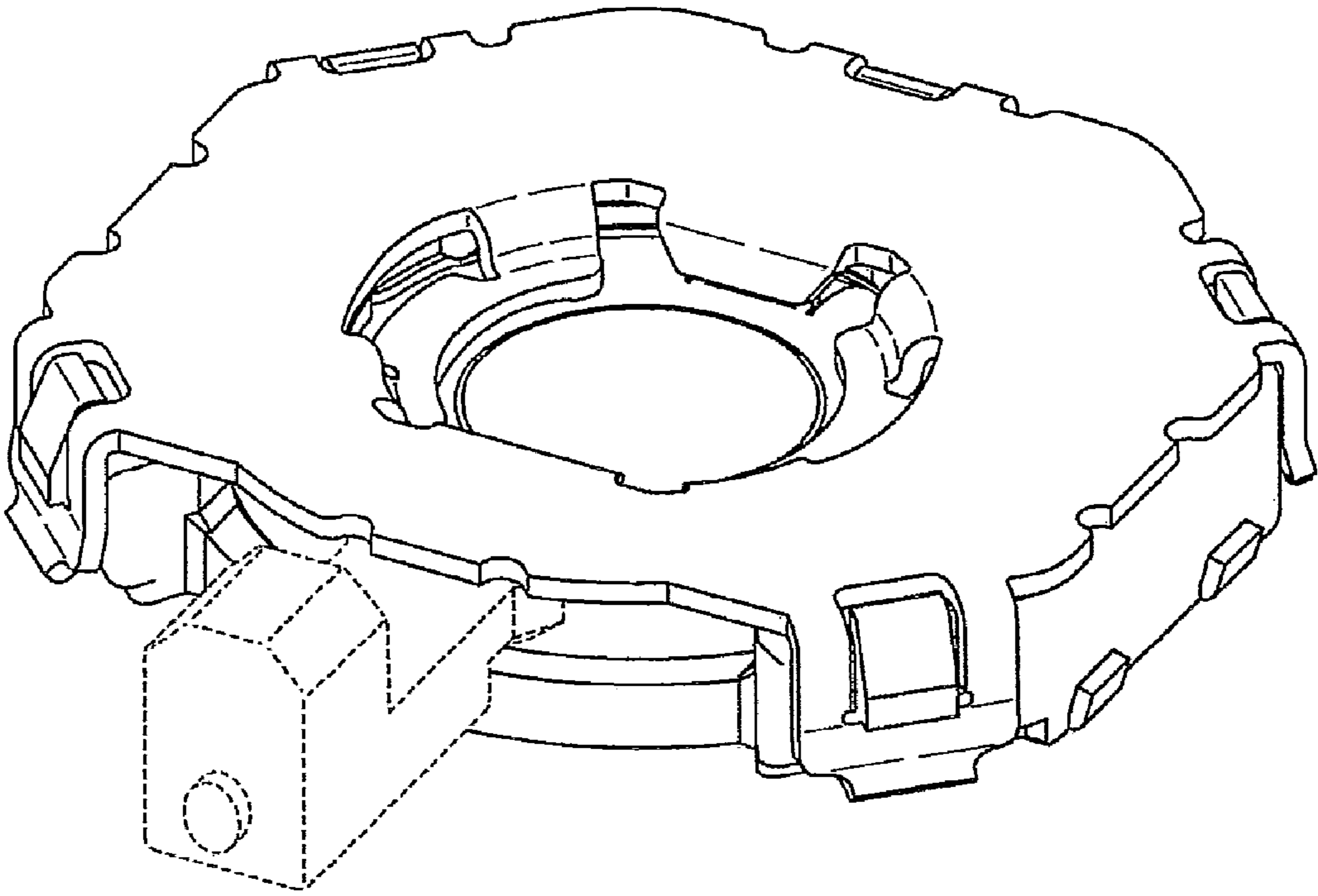


Fig. 7

