



US00D639747S

(12) **United States Design Patent**
Holliday

(10) **Patent No.:** **US D639,747 S**

(45) **Date of Patent:** **** Jun. 14, 2011**

(54) **CRIMPABLE CABLE CONNECTOR ASSEMBLY WITH EXTERNAL COLOR BAND**

(76) Inventor: **Randall A. Holliday**, Broomfield, CO (US)

(**) Term: **14 Years**

(21) Appl. No.: **29/352,212**

(22) Filed: **Dec. 17, 2009**

(51) **LOC (9) Cl.** **13-03**

(52) **U.S. Cl.** **D13/154; D13/149**

(58) **Field of Classification Search** D13/133, D13/149, 151, 153, 154, 156, 199; 439/79, 439/248, 258, 274, 350, 352, 353, 358, 359, 439/362, 378, 445, 447, 578, 584, 585, 656, 439/660, 676, 677, 678, 679, 680, 681, 682, 439/686; 411/7, 11; 426/507; 28/828; 307/10.1; 333/81 A

See application file for complete search history.

(56) **References Cited**

U.S. PATENT DOCUMENTS

D511,498 S	11/2005	Holliday	
7,044,771 B2	5/2006	Holliday	
7,182,628 B2	2/2007	Holliday	
D561,691 S	2/2008	Holliday	
D569,800 S	5/2008	Holliday	
D621,367 S *	8/2010	Holliday	D13/151
D630,587 S *	1/2011	Holliday	D13/151
D630,588 S *	1/2011	Holliday	D13/151
D630,589 S *	1/2011	Holliday	D13/151
D630,590 S *	1/2011	Holliday	D13/151

* cited by examiner

Primary Examiner — Thomas J Johannes

(74) *Attorney, Agent, or Firm* — The Reilly Intellectual Property Law Firm, P.C.; John E. Reilly; Ellen Reilly

(57) **CLAIM**

The ornamental design for crimpable cable connector assembly with external color band, as shown and described.

DESCRIPTION

FIG. 1 is a front perspective view of the first embodiment of a crimpable cable connector assembly with external color band showing my new design.

FIG. 2 is a side elevation view thereof.

FIG. 3 is an end plan view thereof.

FIG. 4 is an opposite end plan view thereof.

FIG. 5 is a front perspective view of the second embodiment of a crimpable cable connector assembly with external color band showing my new design.

FIG. 6 is a side elevation view thereof.

FIG. 7 is an end plan view thereof.

FIG. 8 is an opposite end plan view thereof.

FIG. 9 is a front perspective view of the third embodiment of a crimpable cable connector assembly with external color band showing my new design.

FIG. 10 is a side elevation view thereof.

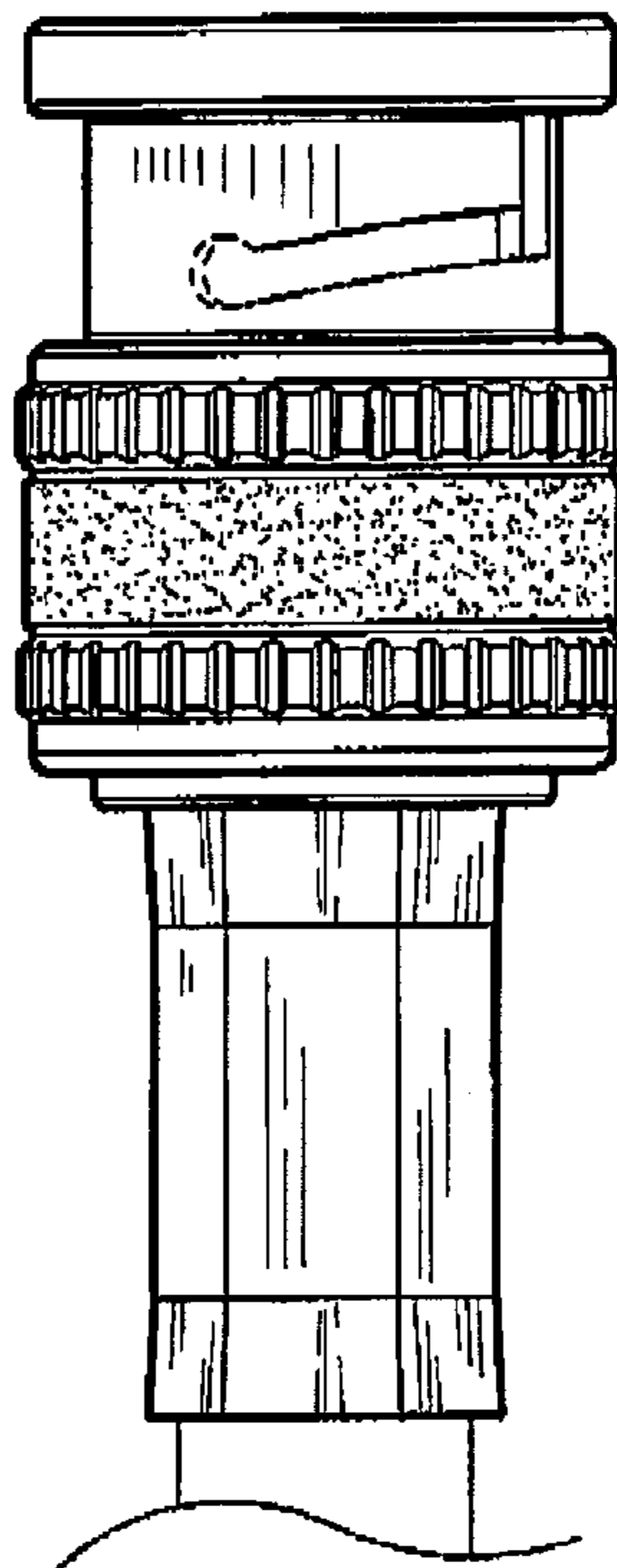
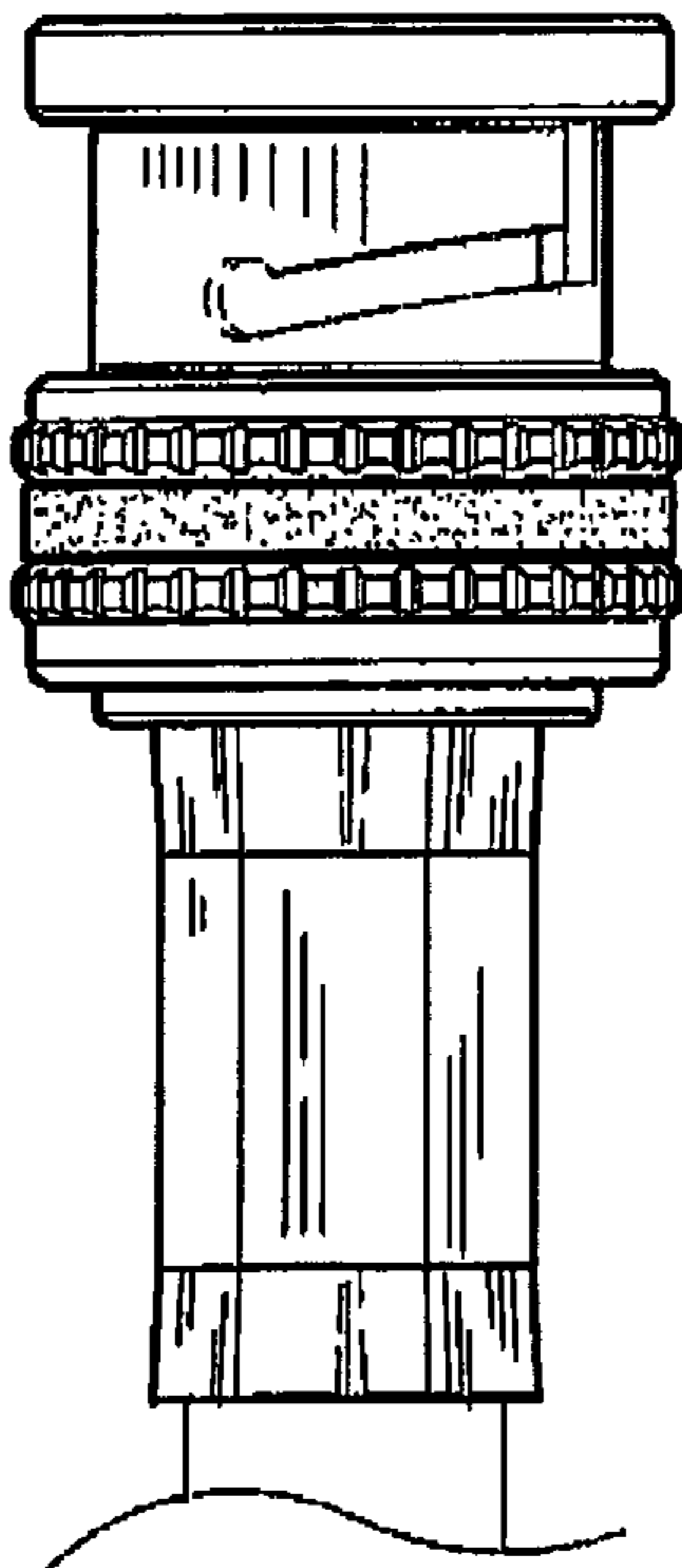
FIG. 11 is an end plan view thereof; and,

FIG. 12 is an opposite end plan view thereof.

The broken line portion of the figure drawings is included to show unclaimed subject matter only and forms no part of the claimed design.

The stippled portions shown in FIGS. 1, 2, 5, 6, 9 and 10 represent different selected colors.

1 Claim, 3 Drawing Sheets



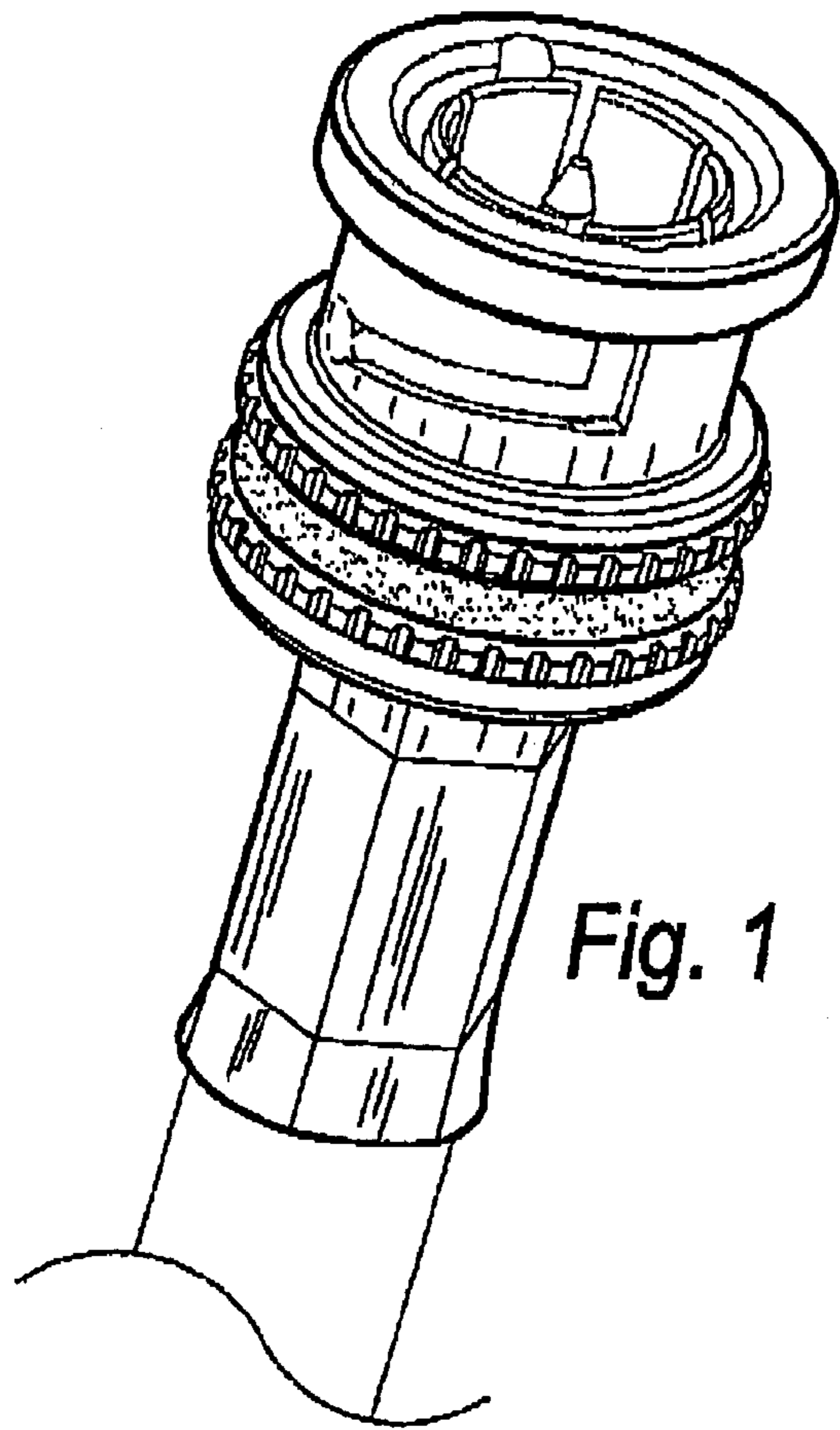


Fig. 4

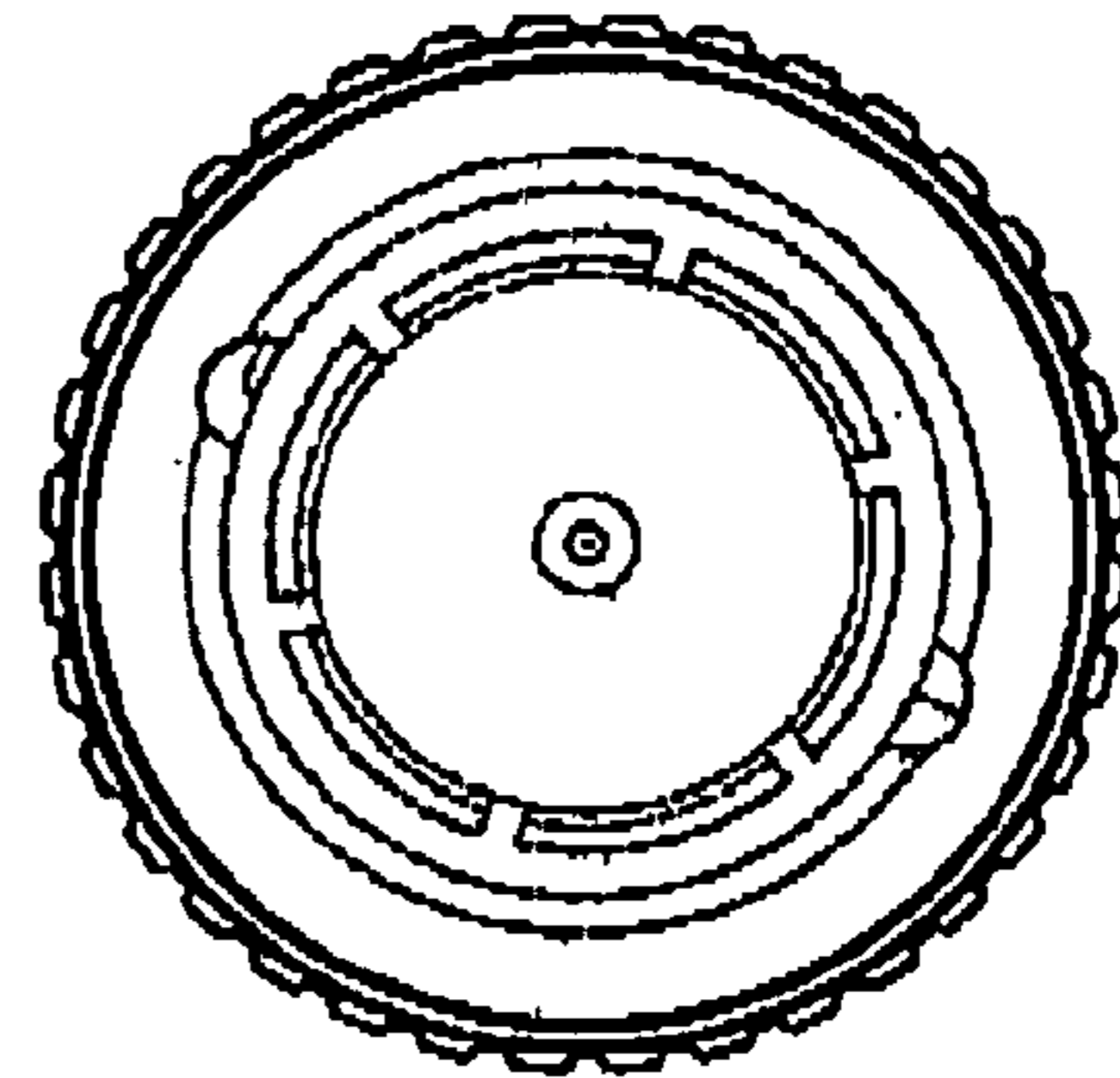


Fig. 2

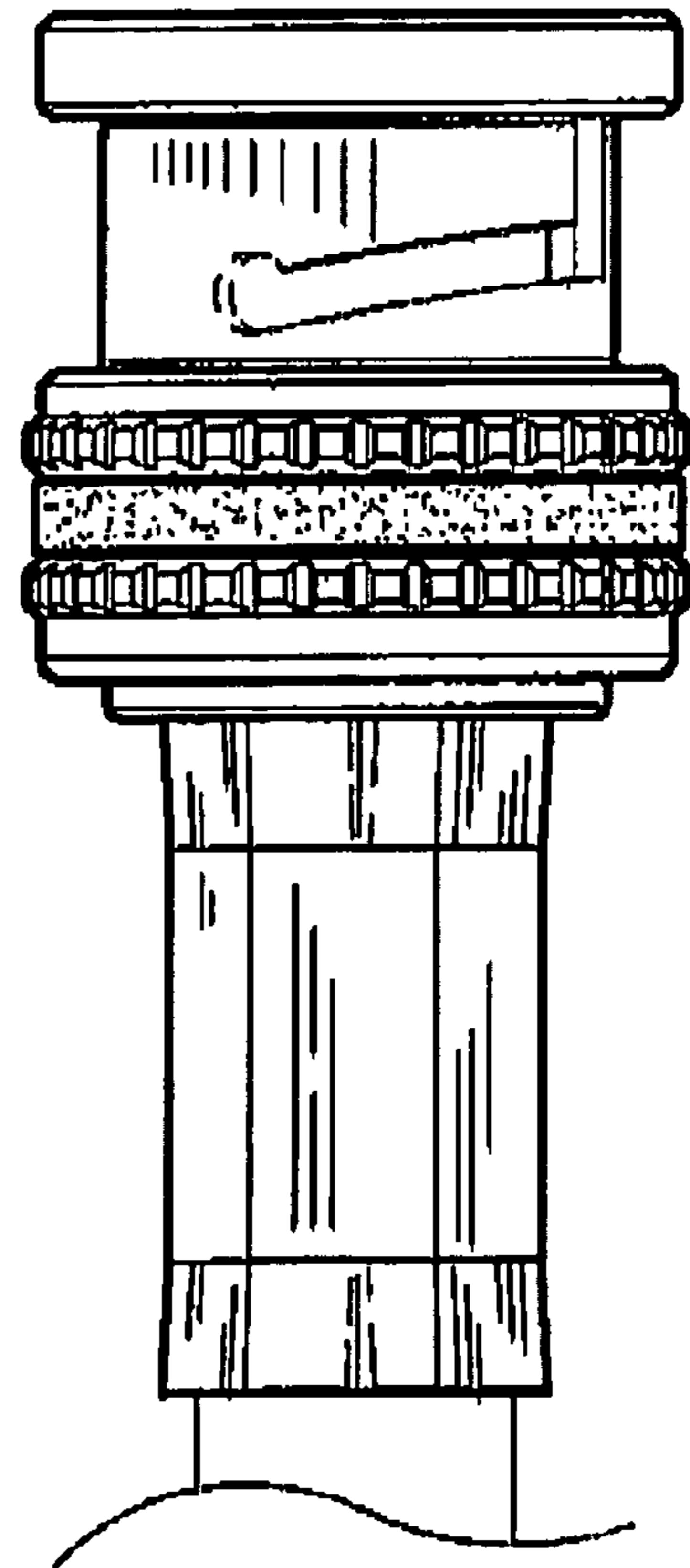
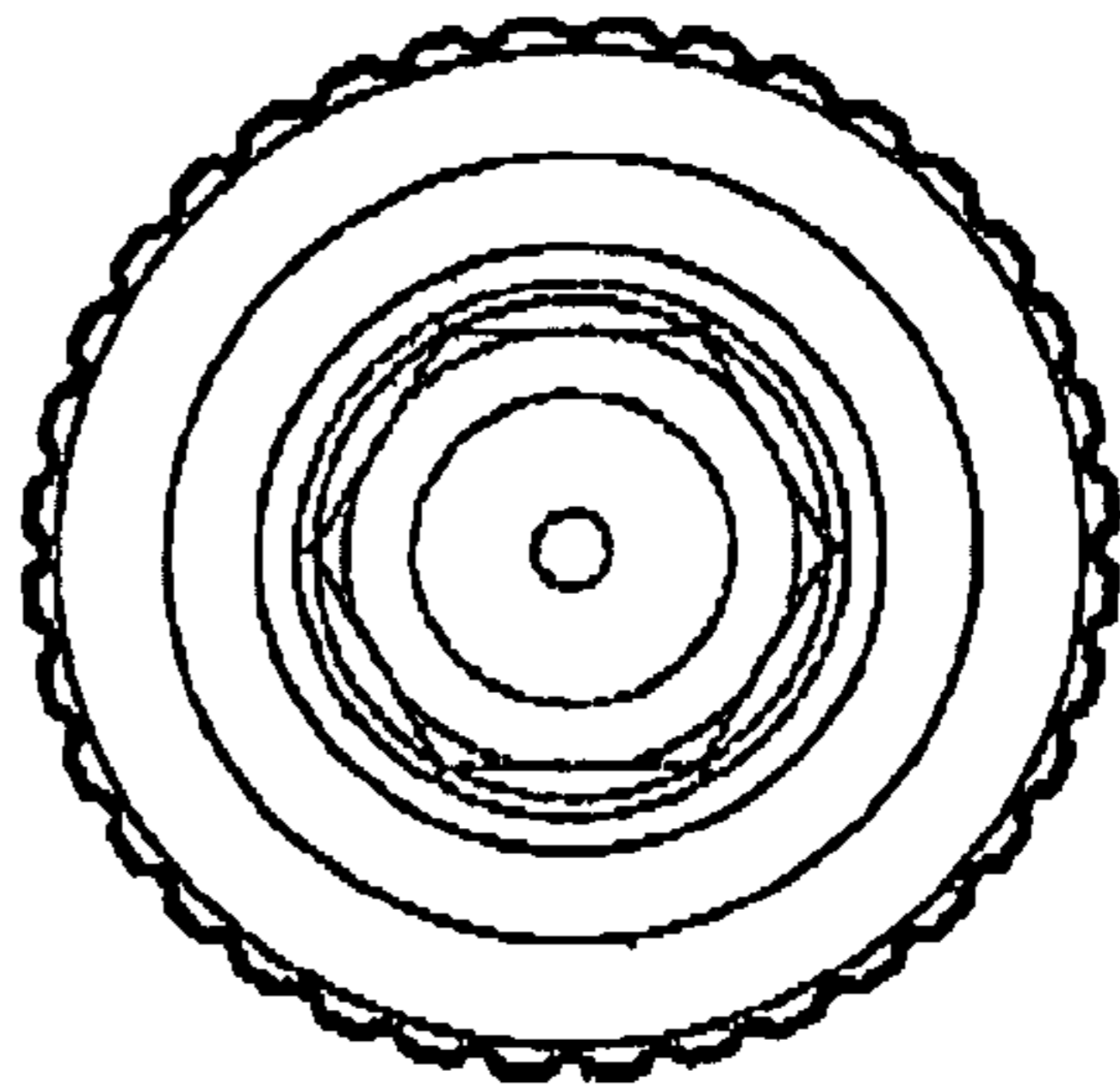


Fig. 3



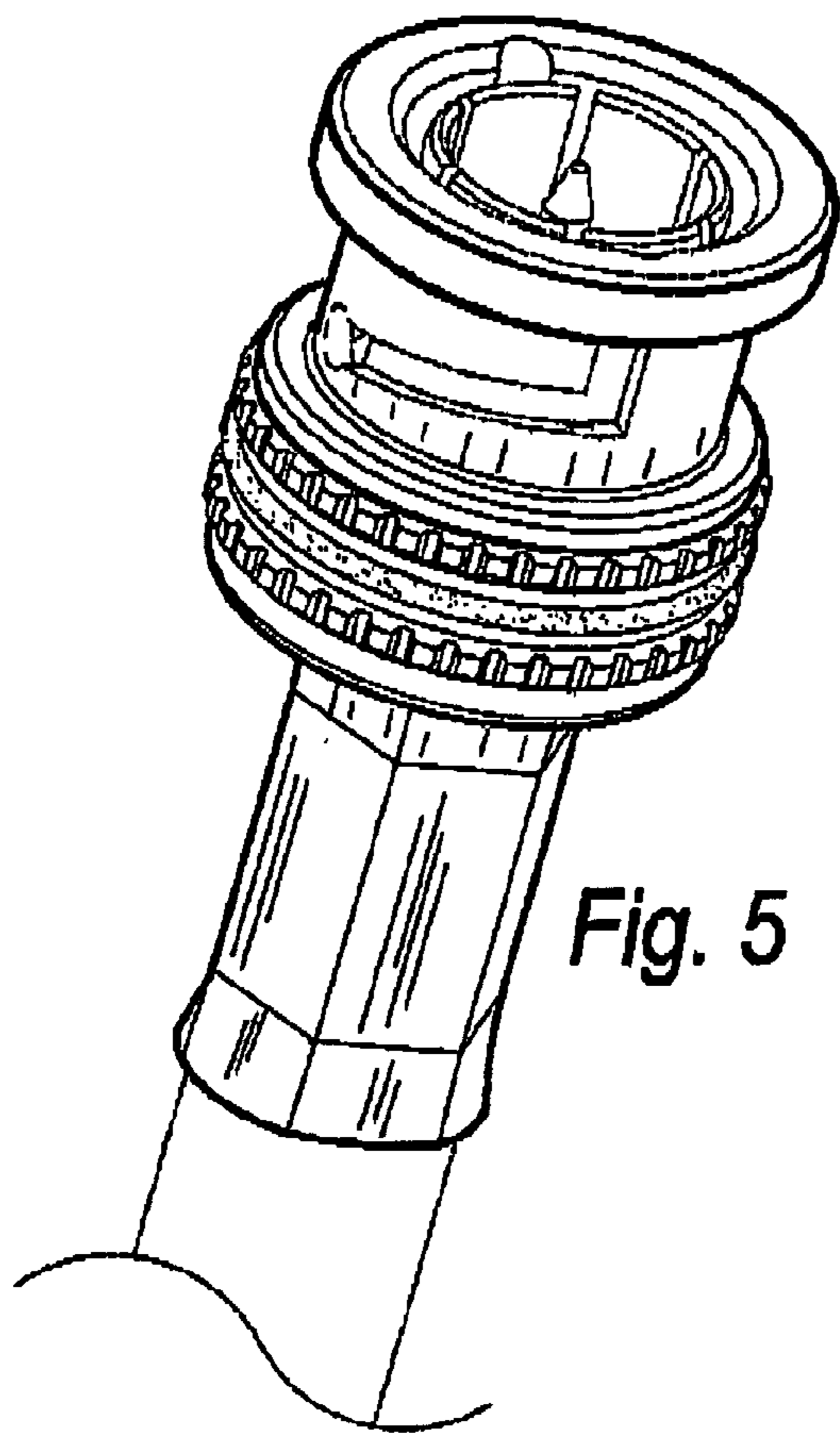


Fig. 5

Fig. 8

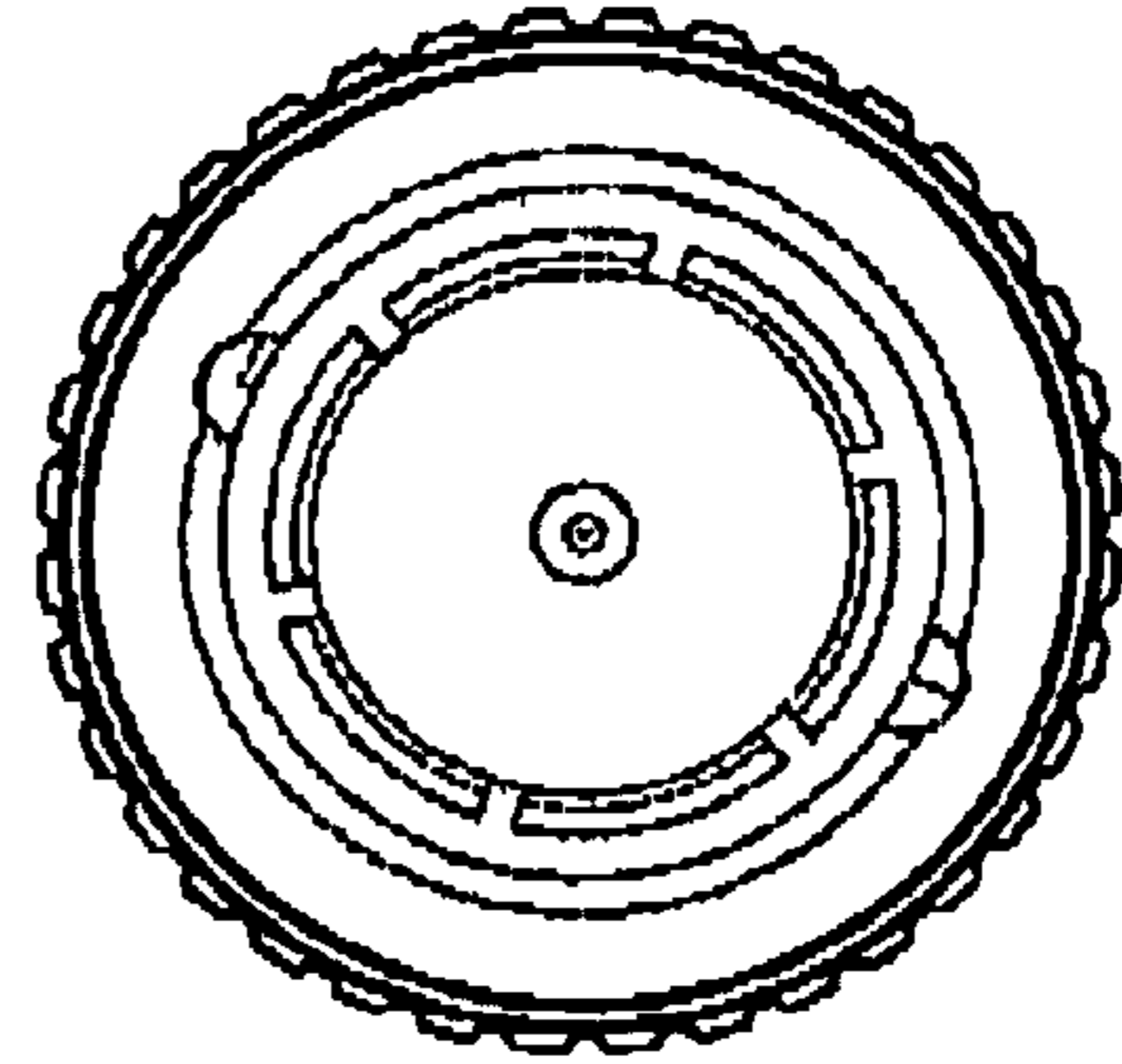


Fig. 6

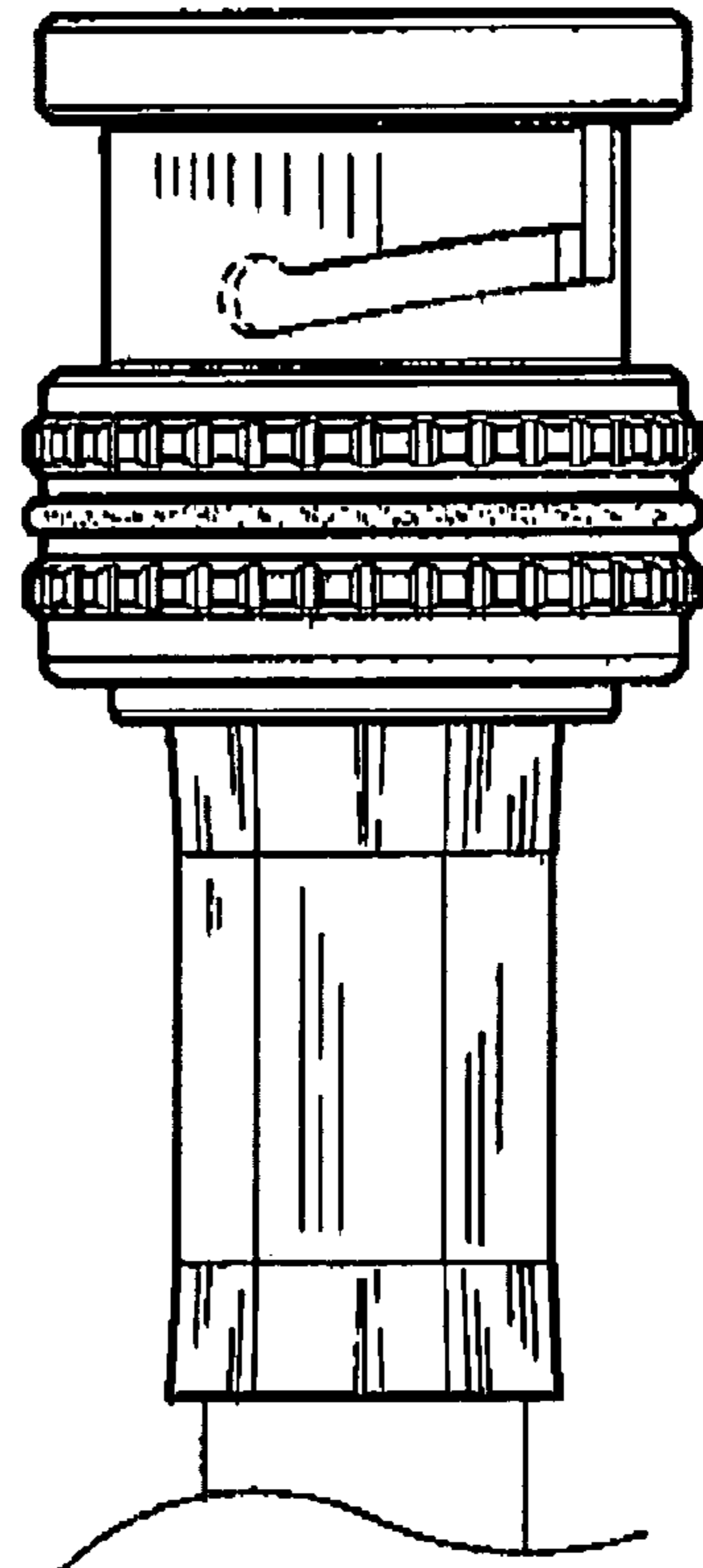
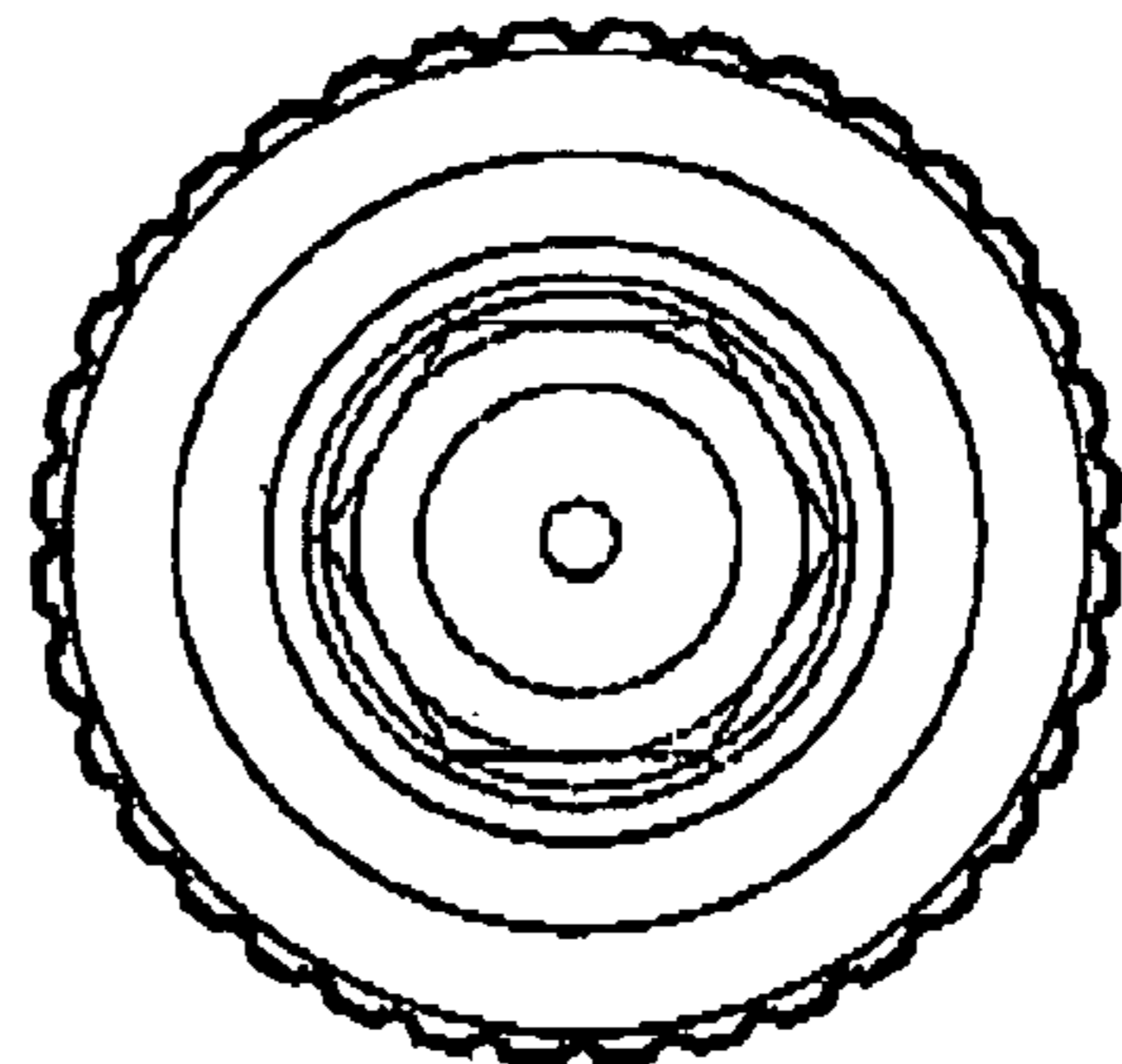


Fig. 7



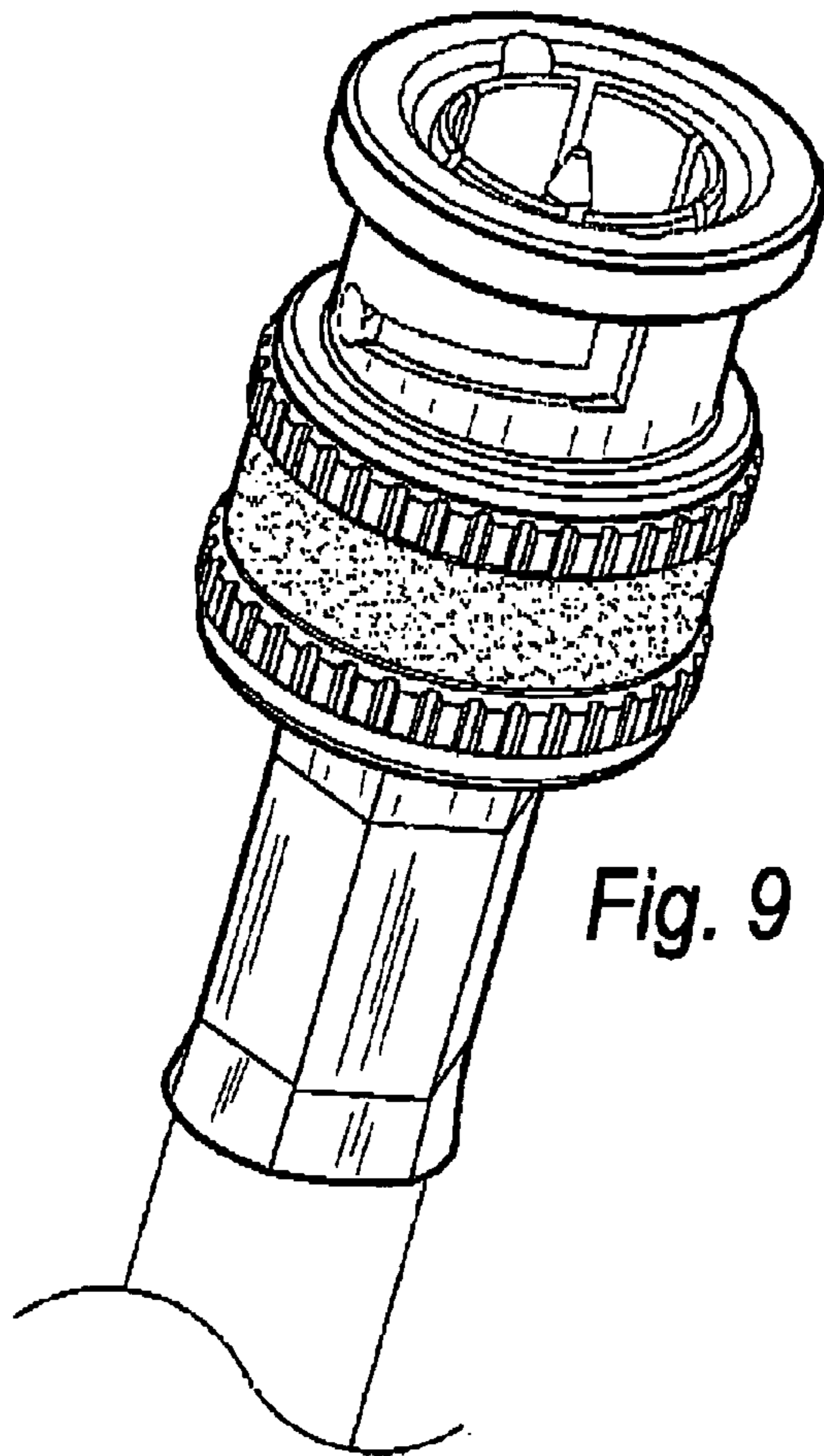


Fig. 9

Fig. 12

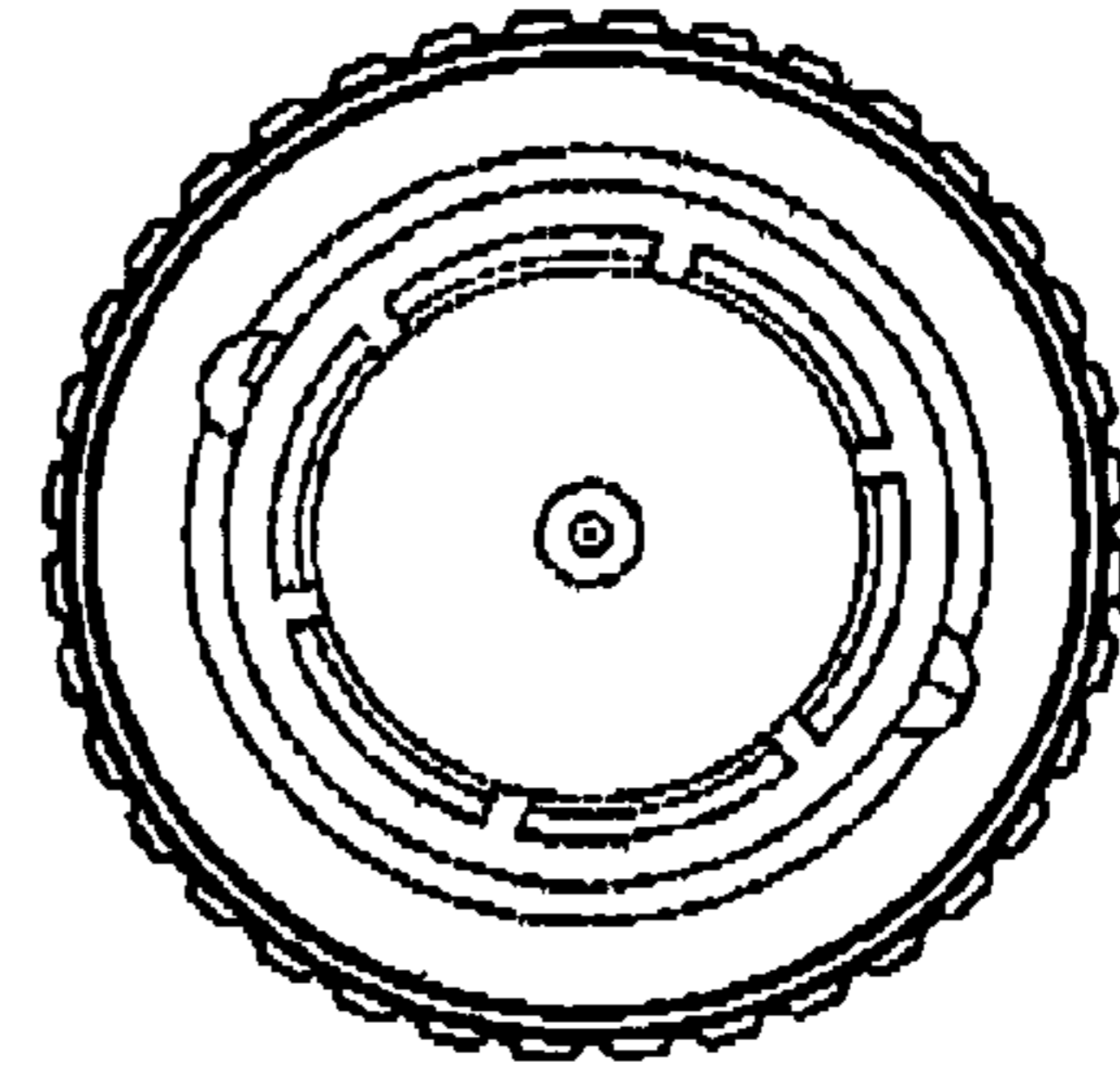


Fig. 10

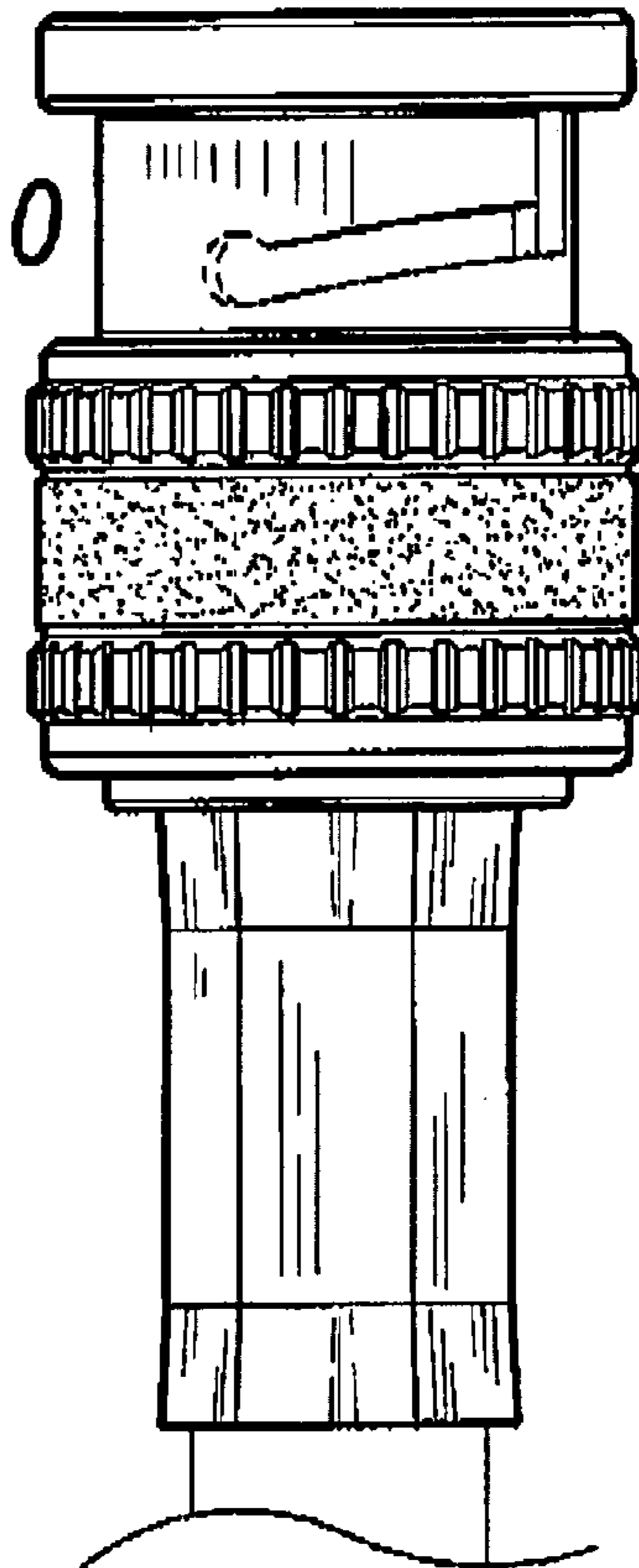


Fig. 11

