



US00D639746S

(12) **United States Design Patent**
Lee et al.

(10) **Patent No.:** **US D639,746 S**
(45) **Date of Patent:** **** Jun. 14, 2011**

(54) **CONNECTOR**

(75) Inventors: **Chul-Sub Lee**, Daegu (KR); **Yong-Hun Lee**, Kyungsangbuk-Do (KR)

(73) Assignee: **Tyco Electronics AMP Korea, Ltd.**, Kyungsangbuk-Do (KR)

(**) Term: **14 Years**

(21) Appl. No.: **29/368,220**

(22) Filed: **Aug. 20, 2010**

(30) **Foreign Application Priority Data**

Feb. 22, 2010 (KR) 30-2010-0007647

(51) **LOC (9) Cl.** **13-03**

(52) **U.S. Cl.** **D13/147**

(58) **Field of Classification Search** D13/133,
D13/147, 154, 184; 439/214, 262, 344, 347,
439/350, 353, 378, 380, 489, 587, 595, 600,
439/680, 682, 685, 752, 892

See application file for complete search history.

(56) **References Cited**

U.S. PATENT DOCUMENTS

D335,649 S * 5/1993 Ogawa D13/147
D463,370 S * 9/2002 Chen D13/147

D523,399 S * 6/2006 Sakamaki et al. D13/147
D605,133 S * 12/2009 Tanaka et al. D13/147
D614,140 S * 4/2010 Lee et al. D13/147
2004/0171294 A1 * 9/2004 Aihara et al. 439/374

* cited by examiner

Primary Examiner — Daniel D Bui

(74) *Attorney, Agent, or Firm* — Barley Snyder LLC

(57) **CLAIM**

The ornamental design for a connector, as shown and described.

DESCRIPTION

FIG. 1 is a top, left, and front perspective view of a connector, showing our new design;

FIG. 2 is a front elevation view thereof;

FIG. 3 is a rear elevation view thereof;

FIG. 4 is a left side elevation view thereof;

FIG. 5 is a right side elevation view thereof;

FIG. 6 is a top plan view thereof;

FIG. 7 is a bottom plan view thereof; and,

FIG. 8 is a sectional view thereof showing the connector in use.

The broken lines shown in the drawings are included for the purpose of illustrating environmental structure and form no part of the claimed design.

1 Claim, 4 Drawing Sheets

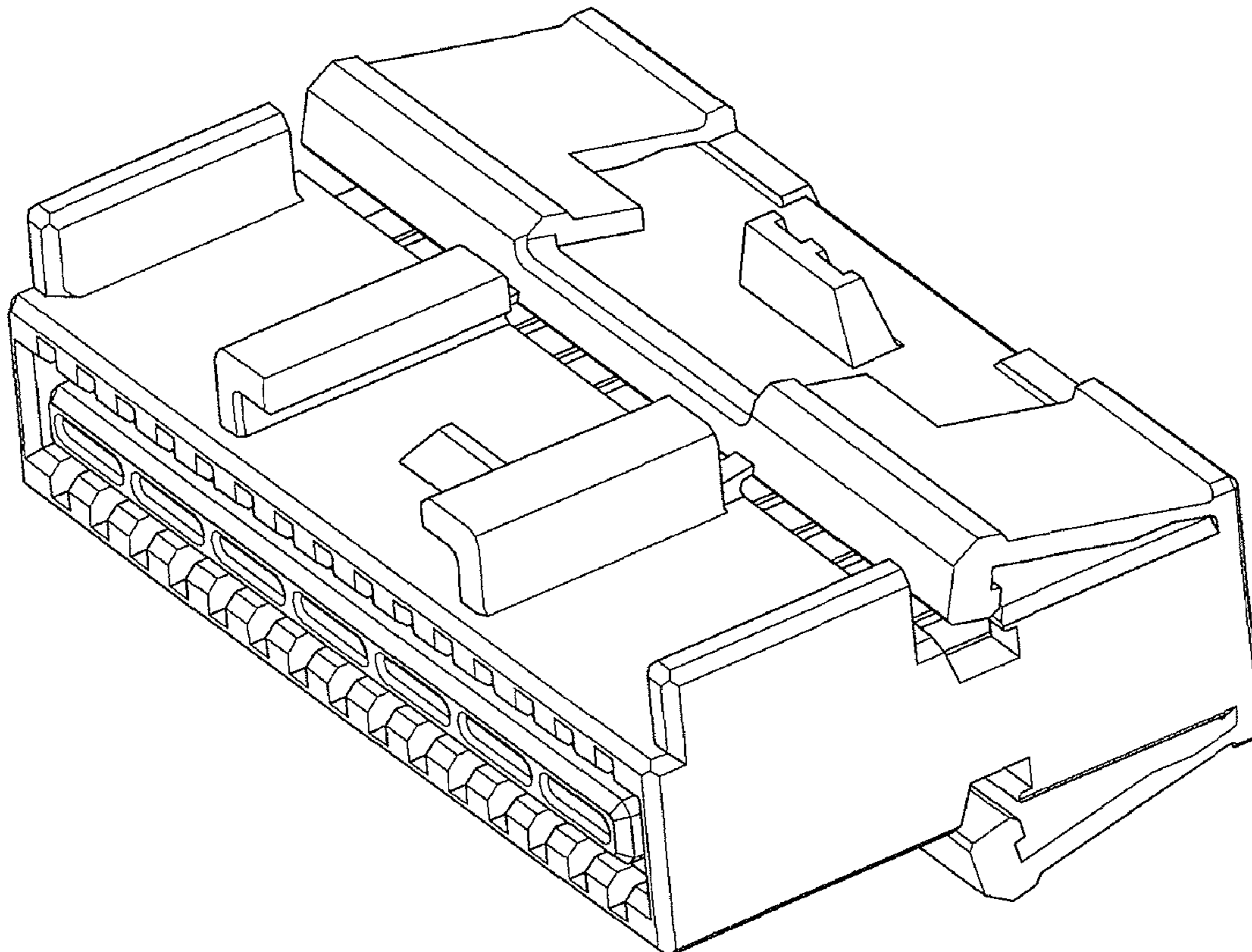


Fig. 1

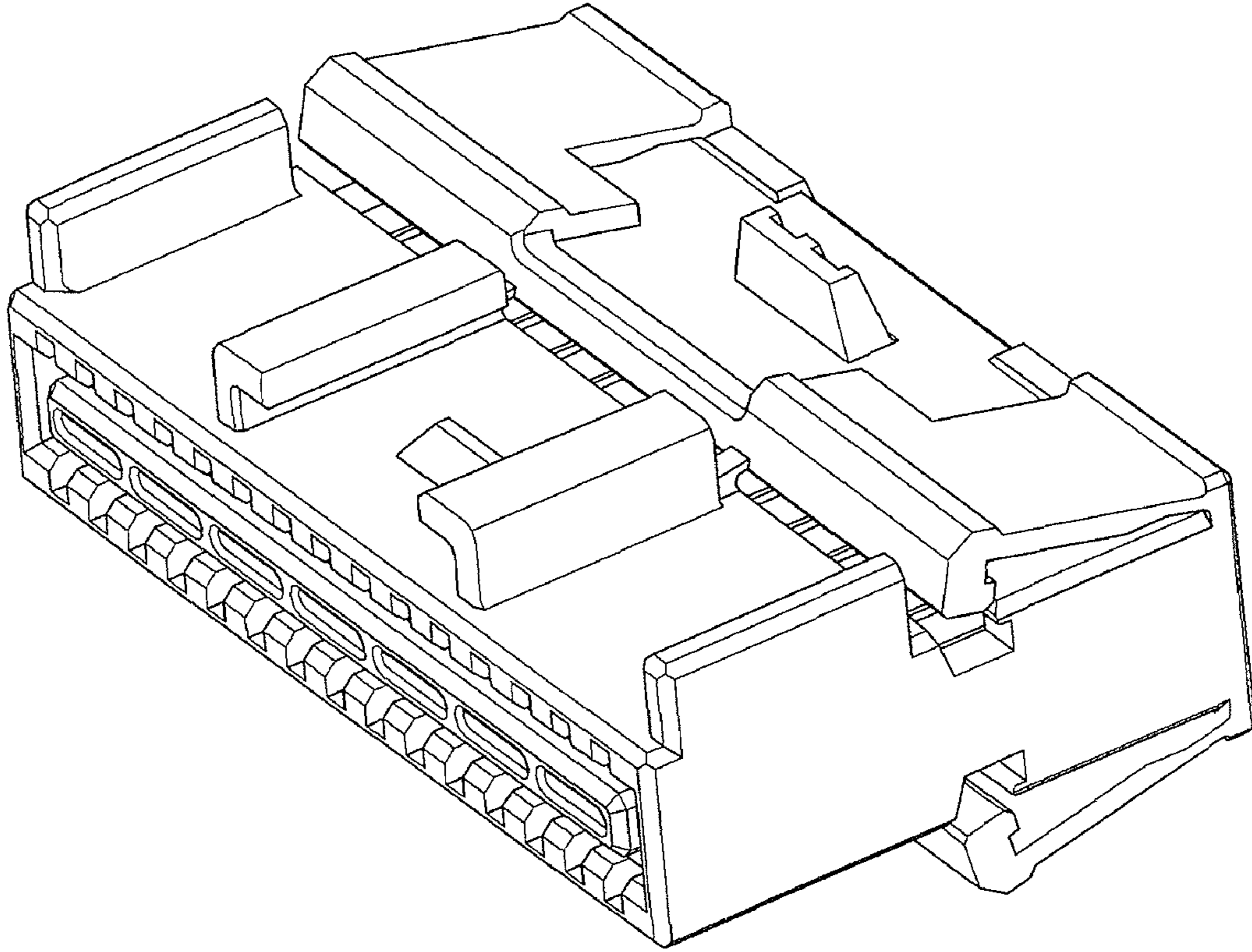


Fig. 2

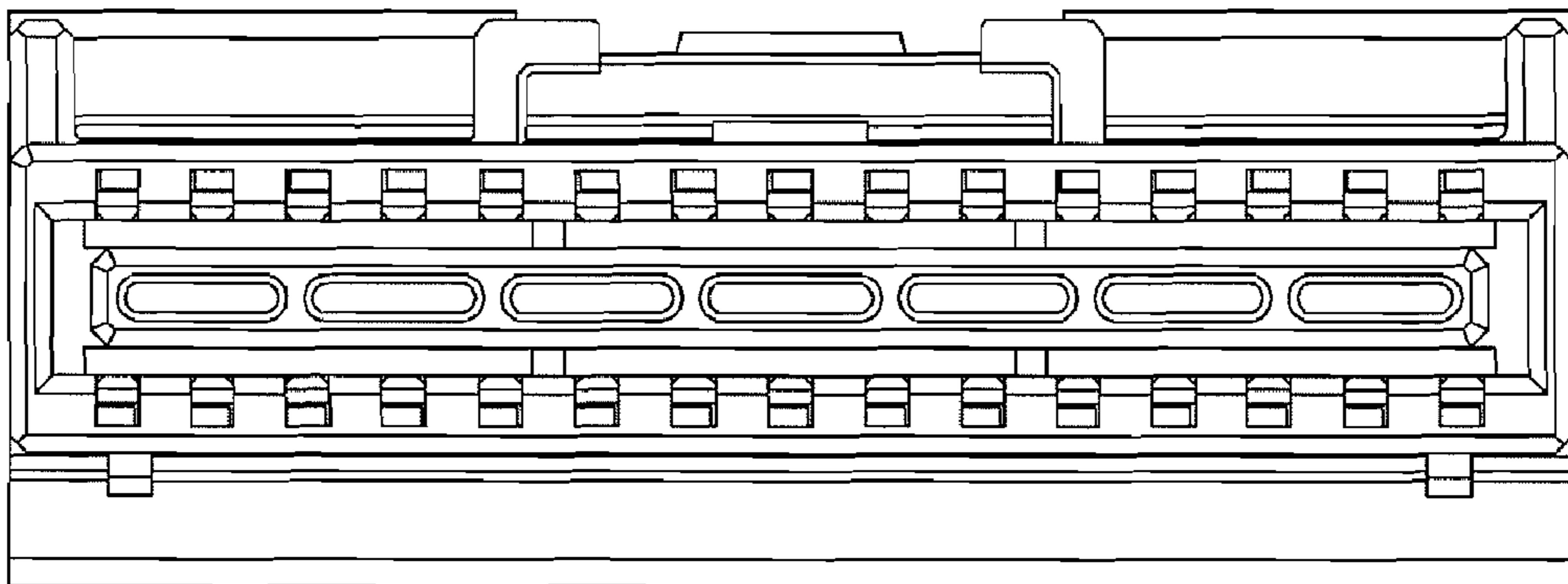


Fig. 3

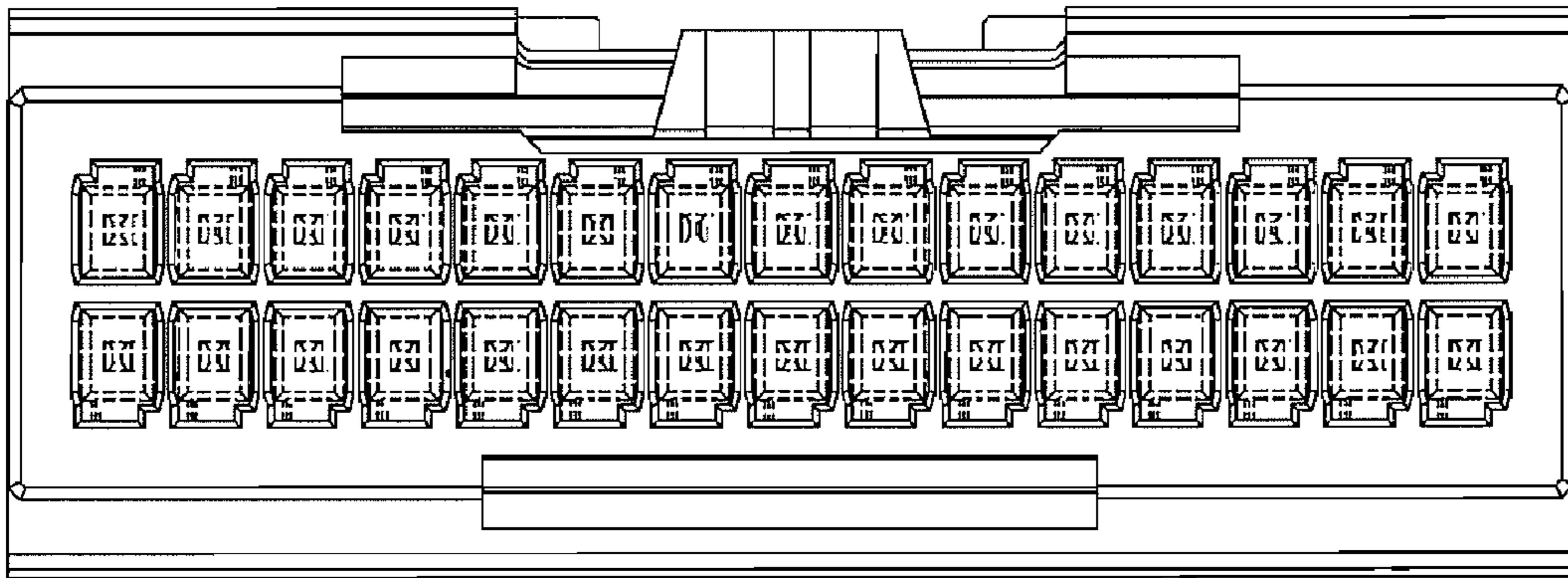


Fig. 4

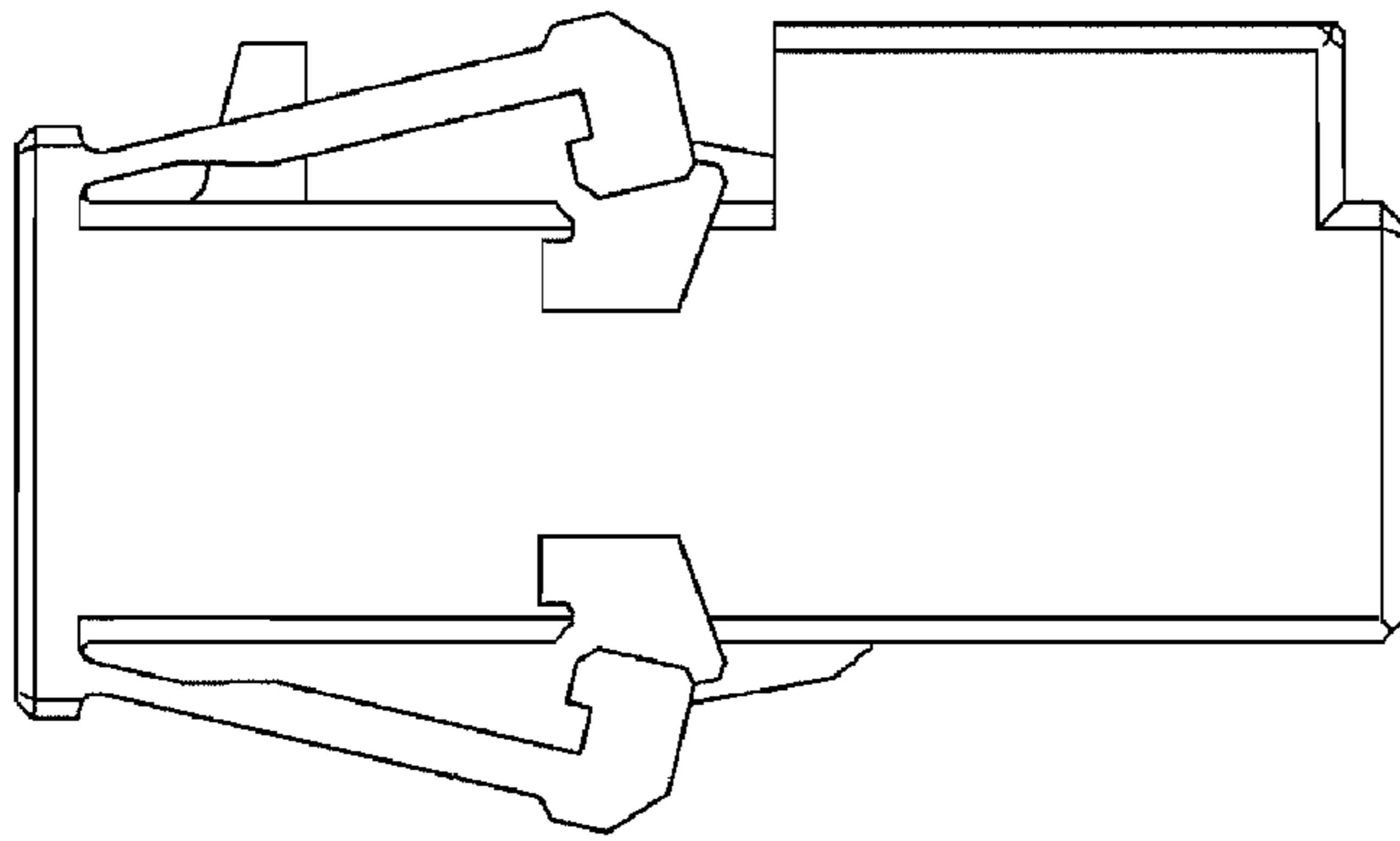


Fig. 5

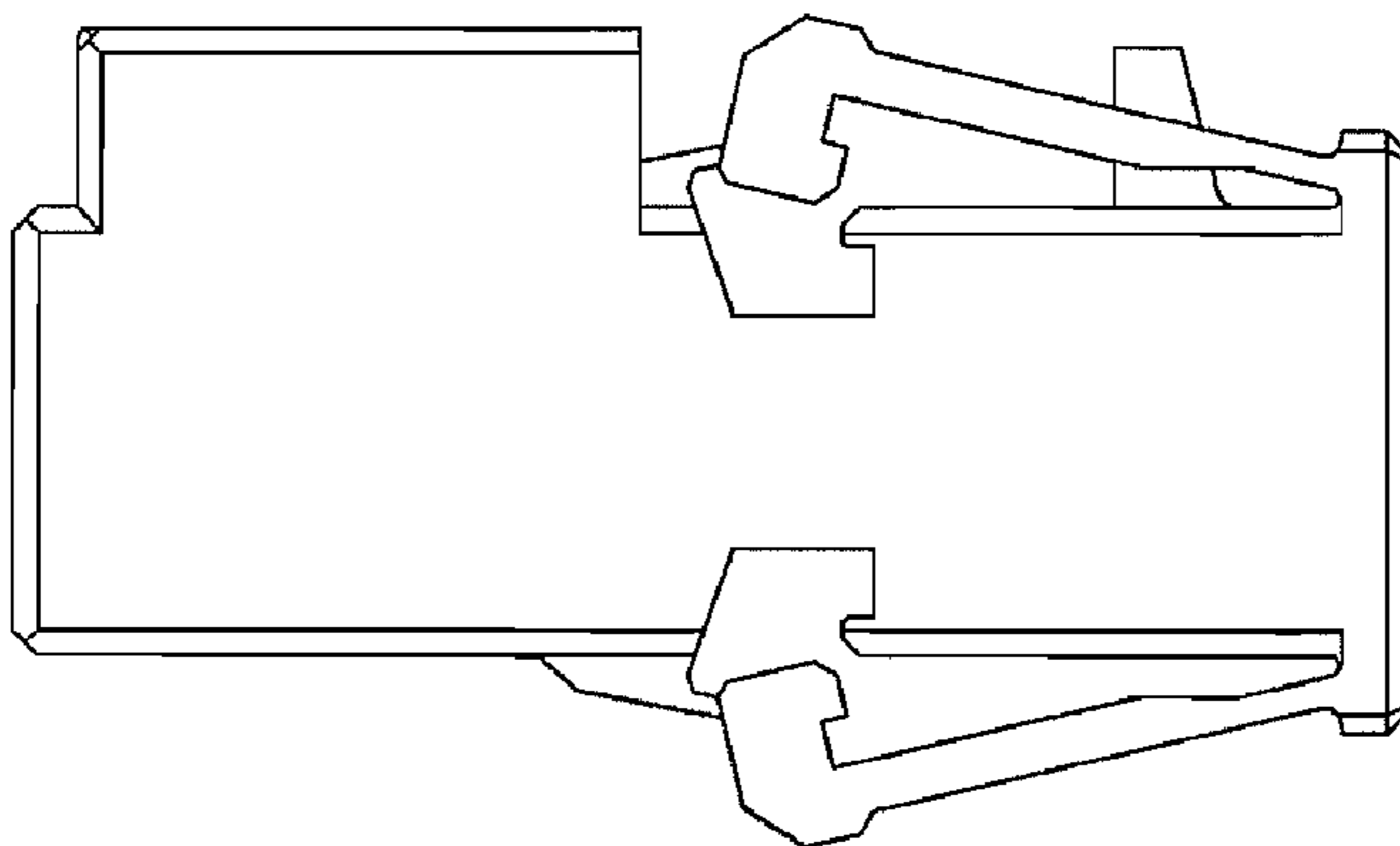


Fig. 6

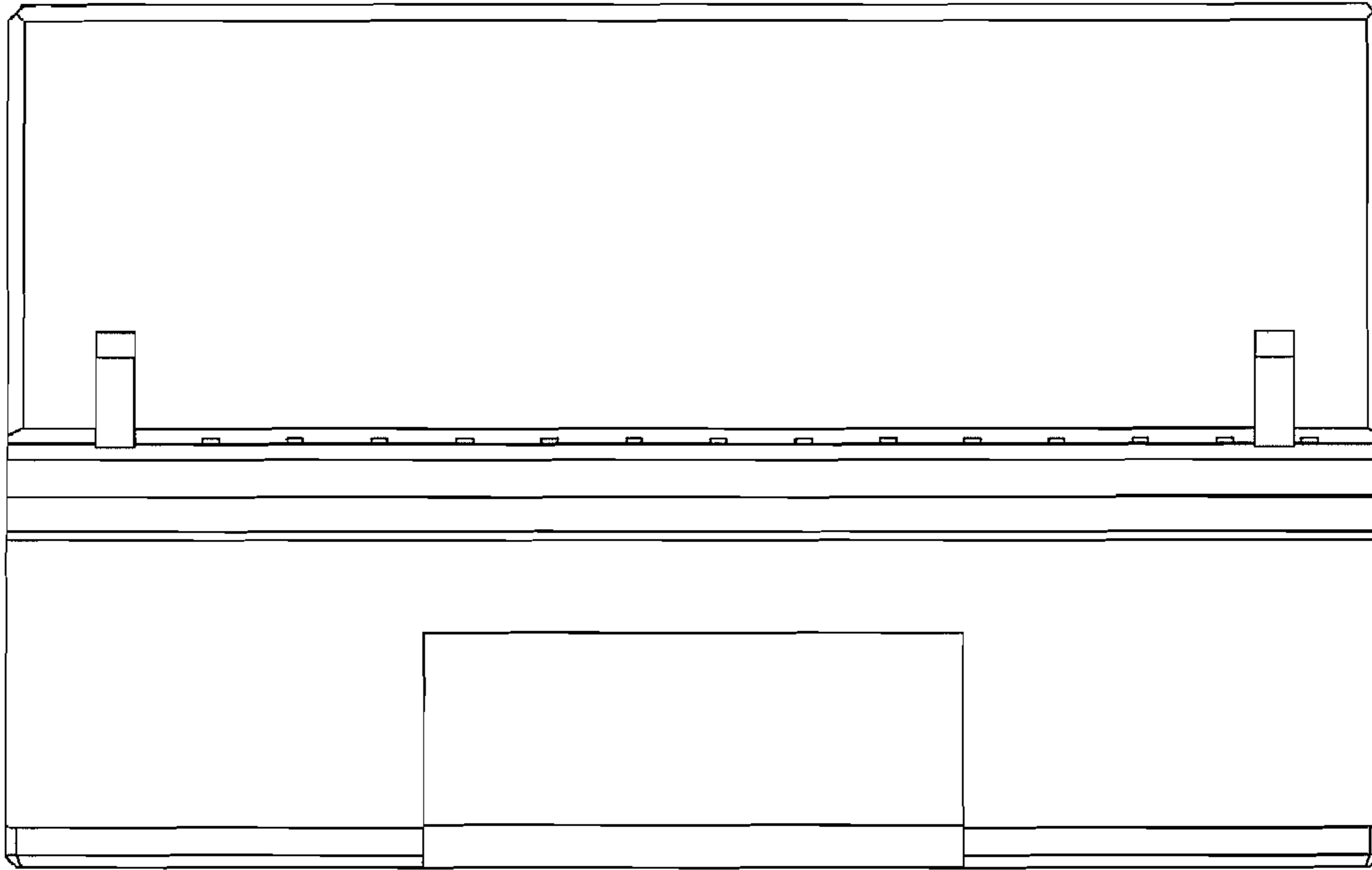
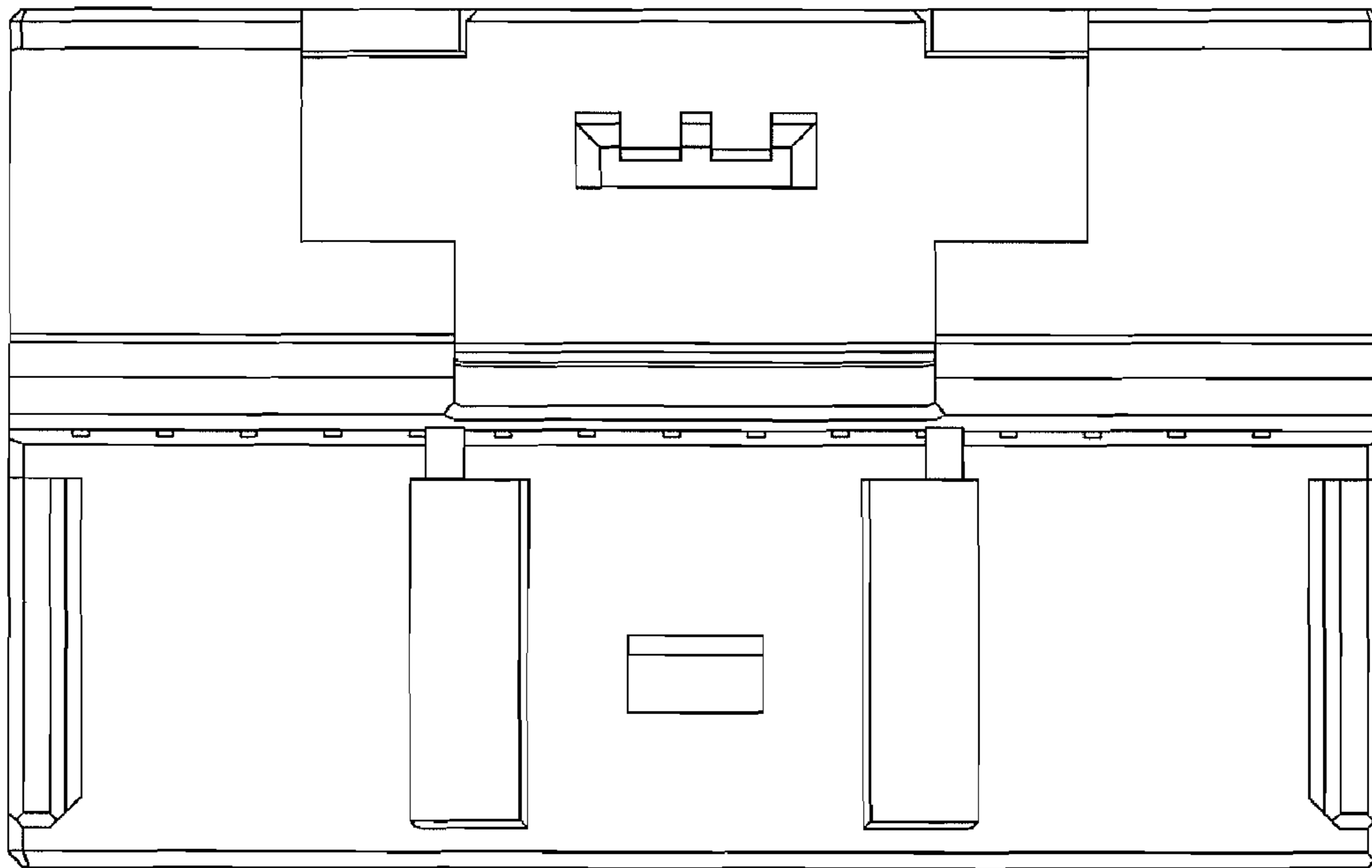


Fig. 7



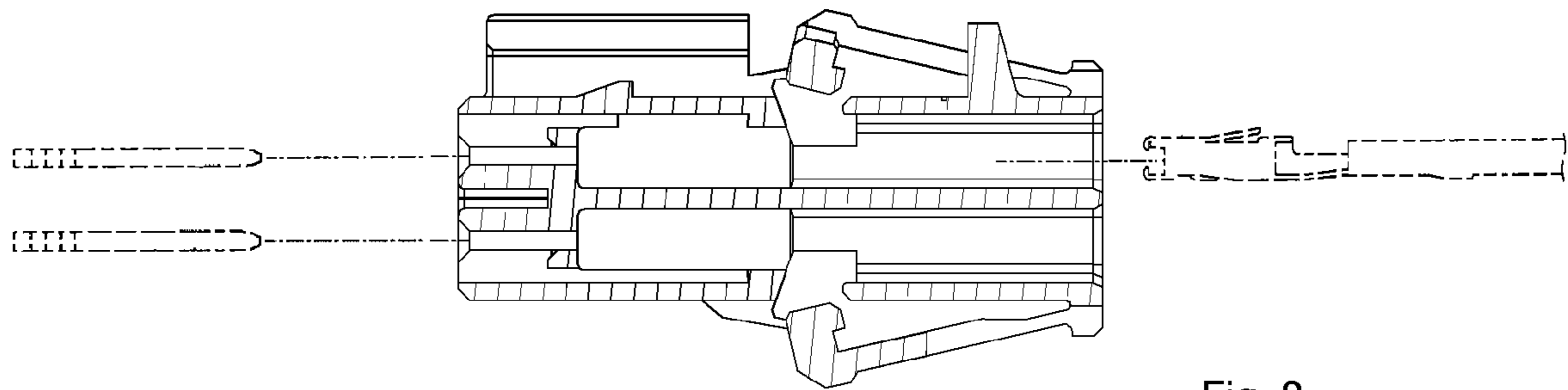


Fig. 8