



US00D639745S

(12) **United States Design Patent**
Kimura et al.

(10) **Patent No.:** **US D639,745 S**
(45) **Date of Patent:** **** Jun. 14, 2011**

(54) **ELECTRICAL CONNECTOR**

(75) Inventors: **Makiya Kimura**, Tokyo (JP);
Shigetsugu Nakagawa, Tokyo (JP)

(73) Assignee: **Tyco Electronics Japan G.K.**,
Kanagawa-ken (JP)

(**) Term: **14 Years**

(21) Appl. No.: **29/363,952**

(22) Filed: **Jun. 16, 2010**

(30) **Foreign Application Priority Data**

Dec. 22, 2009 (JP) 2009-029752

(51) **LOC (9) Cl.** **13-03**

(52) **U.S. Cl.** **D13/147**

(58) **Field of Classification Search** D13/147,
D13/154, 184, 199; 439/79, 108, 159-160,
439/260, 329, 395, 607.01, 607.04, 607.05,
439/607.17, 607.25, 607.34, 607.41, 607.53,
439/629, 630, 946

See application file for complete search history.

(56) **References Cited**

U.S. PATENT DOCUMENTS

D491,527	S	*	6/2004	Fan	D13/147
D505,919	S	*	6/2005	Moritake	D13/147
D517,495	S	*	3/2006	Fan	D13/147
D539,747	S	*	4/2007	Igarashi et al.	D13/147
D582,859	S	*	12/2008	Sasaki	D13/147
D627,299	S	*	11/2010	Kimura et al.	D13/147
2002/0064987	A1		5/2002	Kimura		

* cited by examiner

Primary Examiner — Daniel D Bui

(74) *Attorney, Agent, or Firm* — Barley Snyder LLC

(57) **CLAIM**

The ornamental design for an electrical connector, as shown and described.

DESCRIPTION

FIG. 1 is a front elevation view of an electrical connector, showing our new design;
FIG. 2 is a top plan view thereof;
FIG. 3 is a bottom plan view thereof;
FIG. 4 is a rear elevation view thereof;
FIG. 5 is a left side elevation view thereof;
FIG. 6 is a right side elevation view thereof;
FIG. 7 is a front, top and left side perspective view thereof; and,
FIG. 8 is a rear, top and right side perspective view thereof.

1 Claim, 8 Drawing Sheets

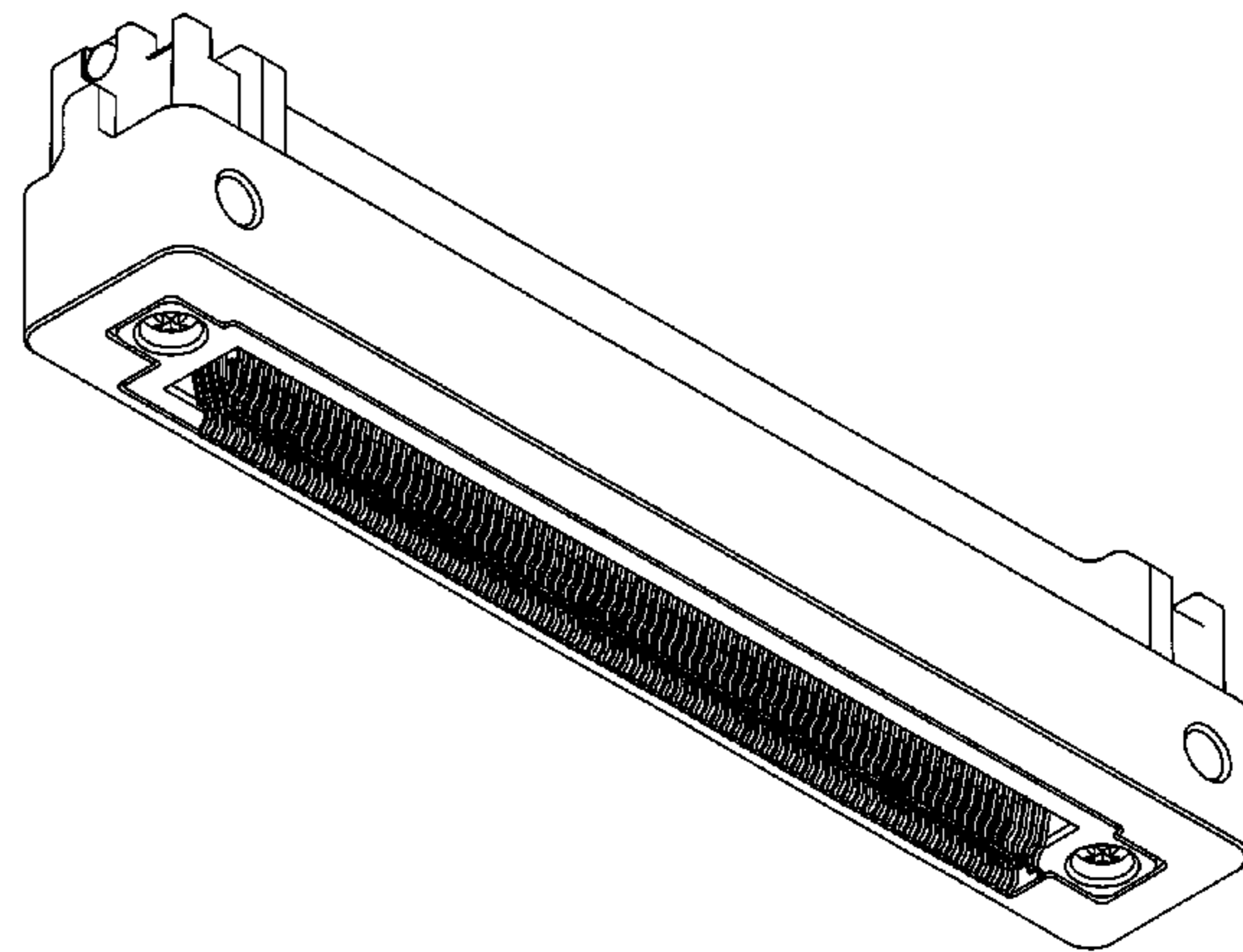
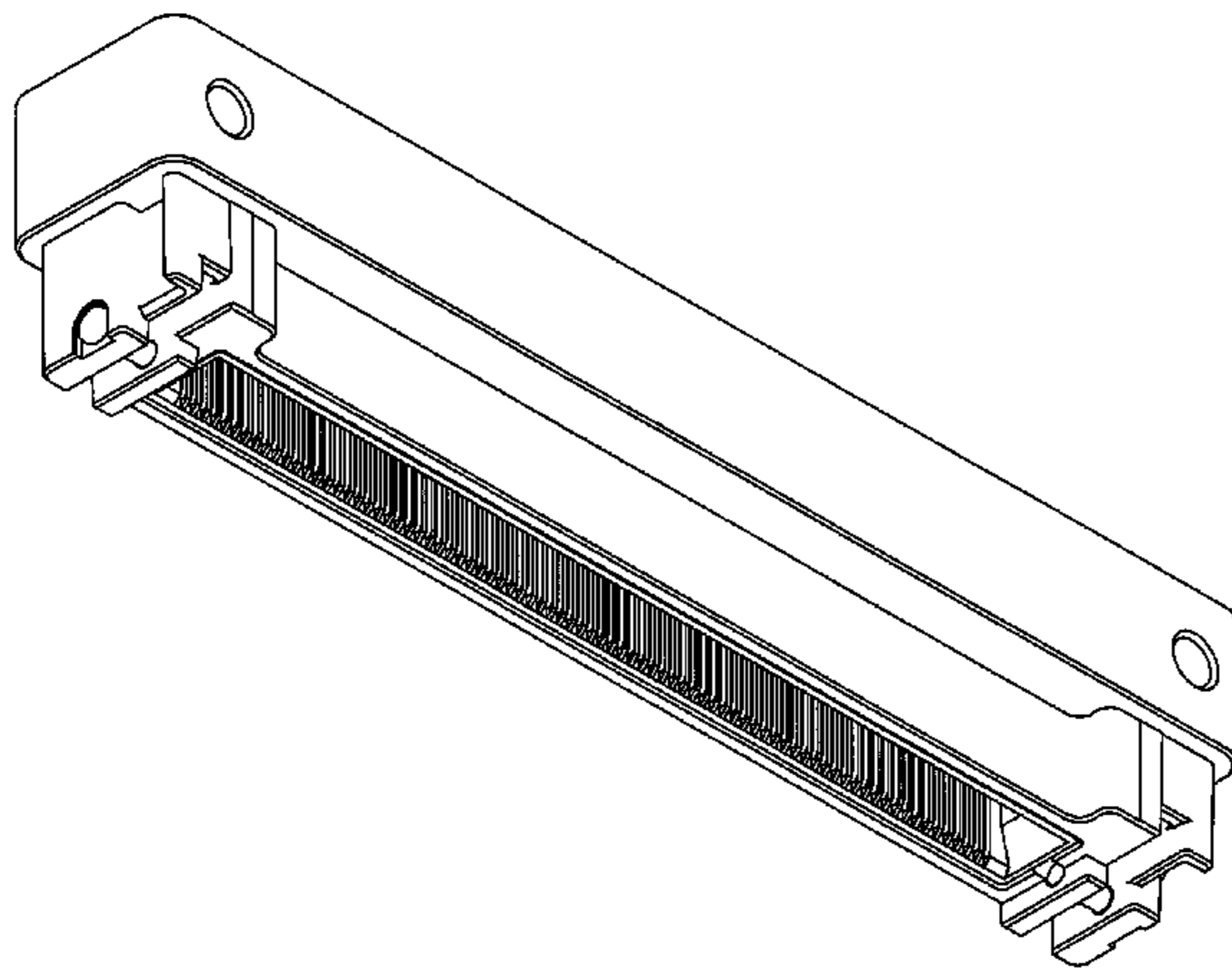


Fig. 1

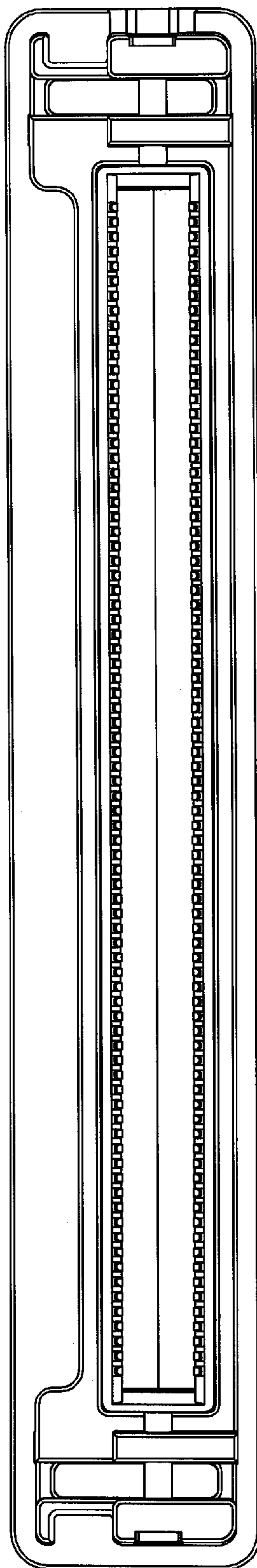


Fig. 2

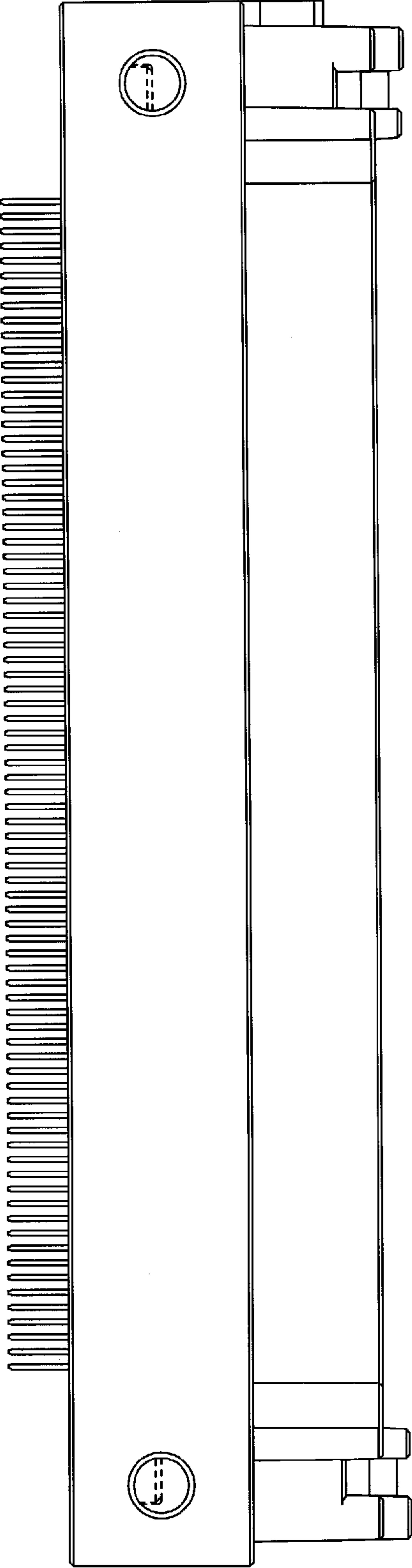


Fig. 3

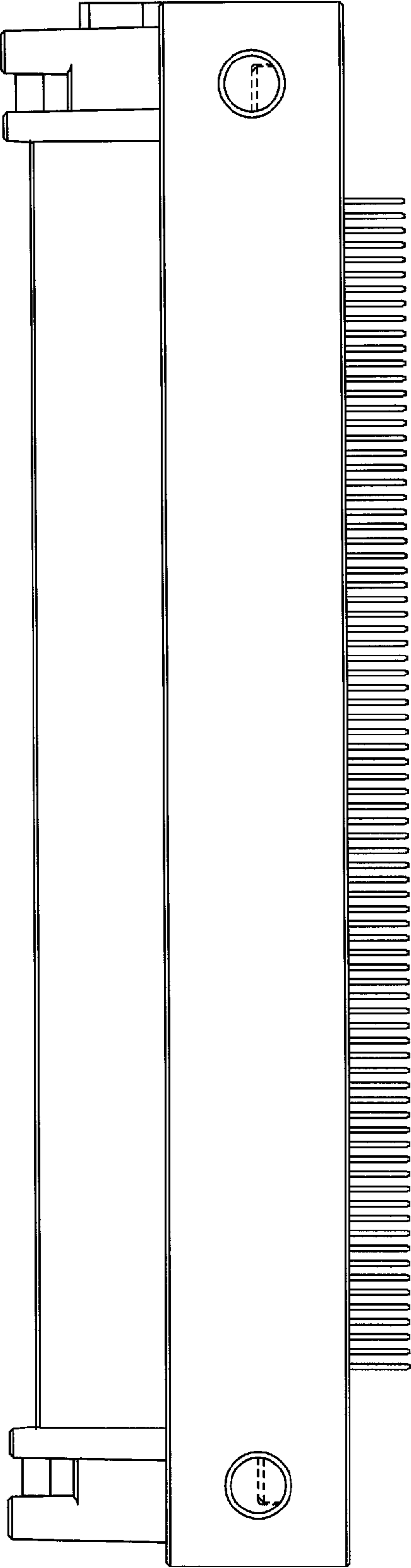


Fig. 4

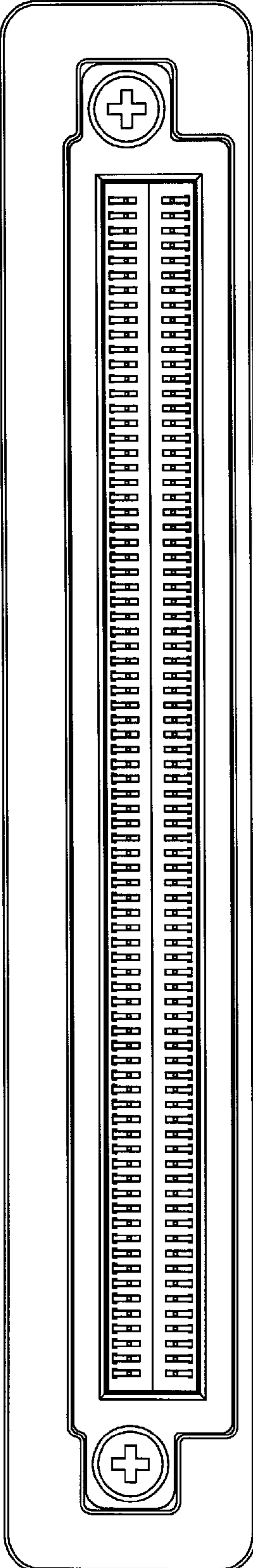


Fig. 5

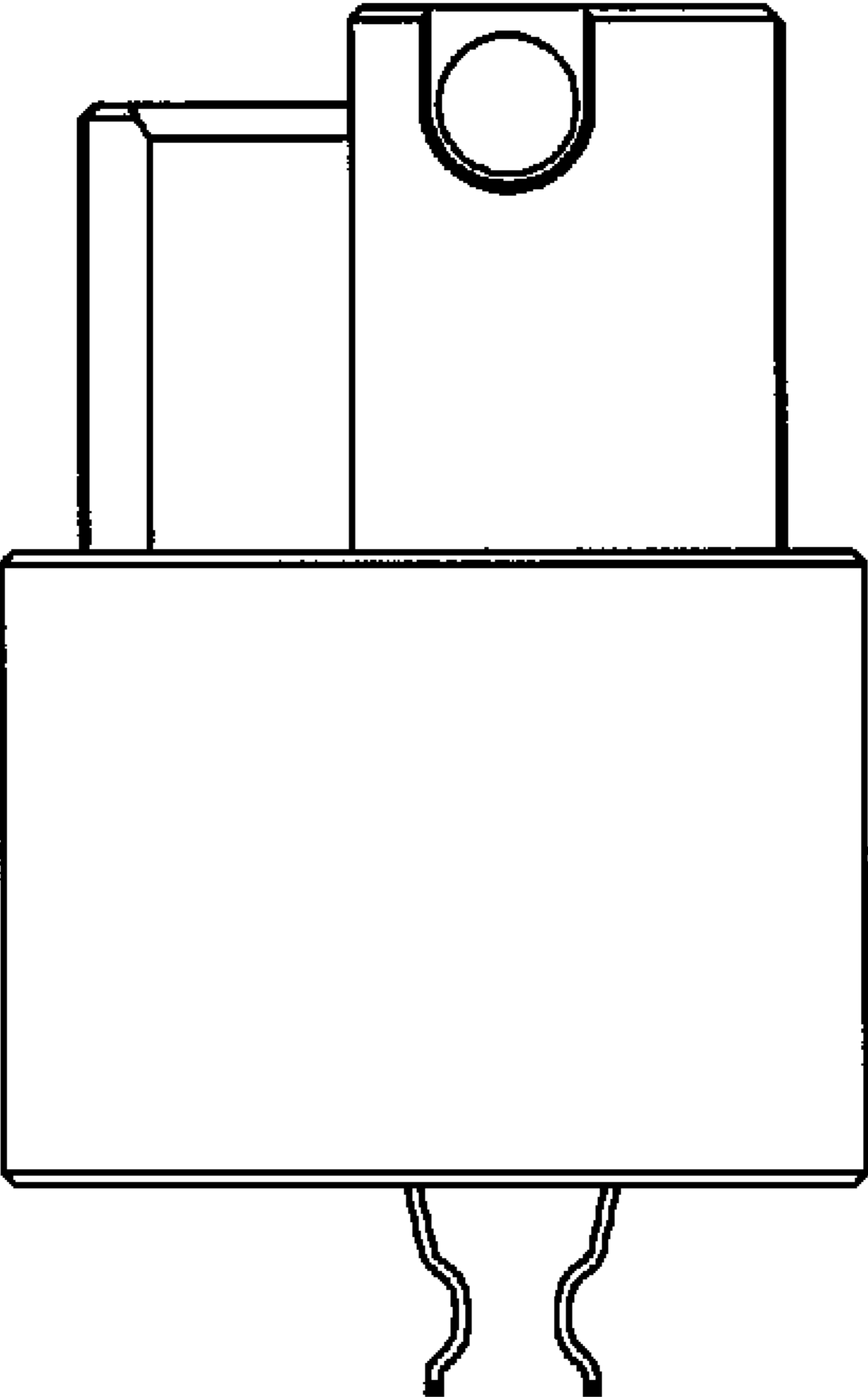
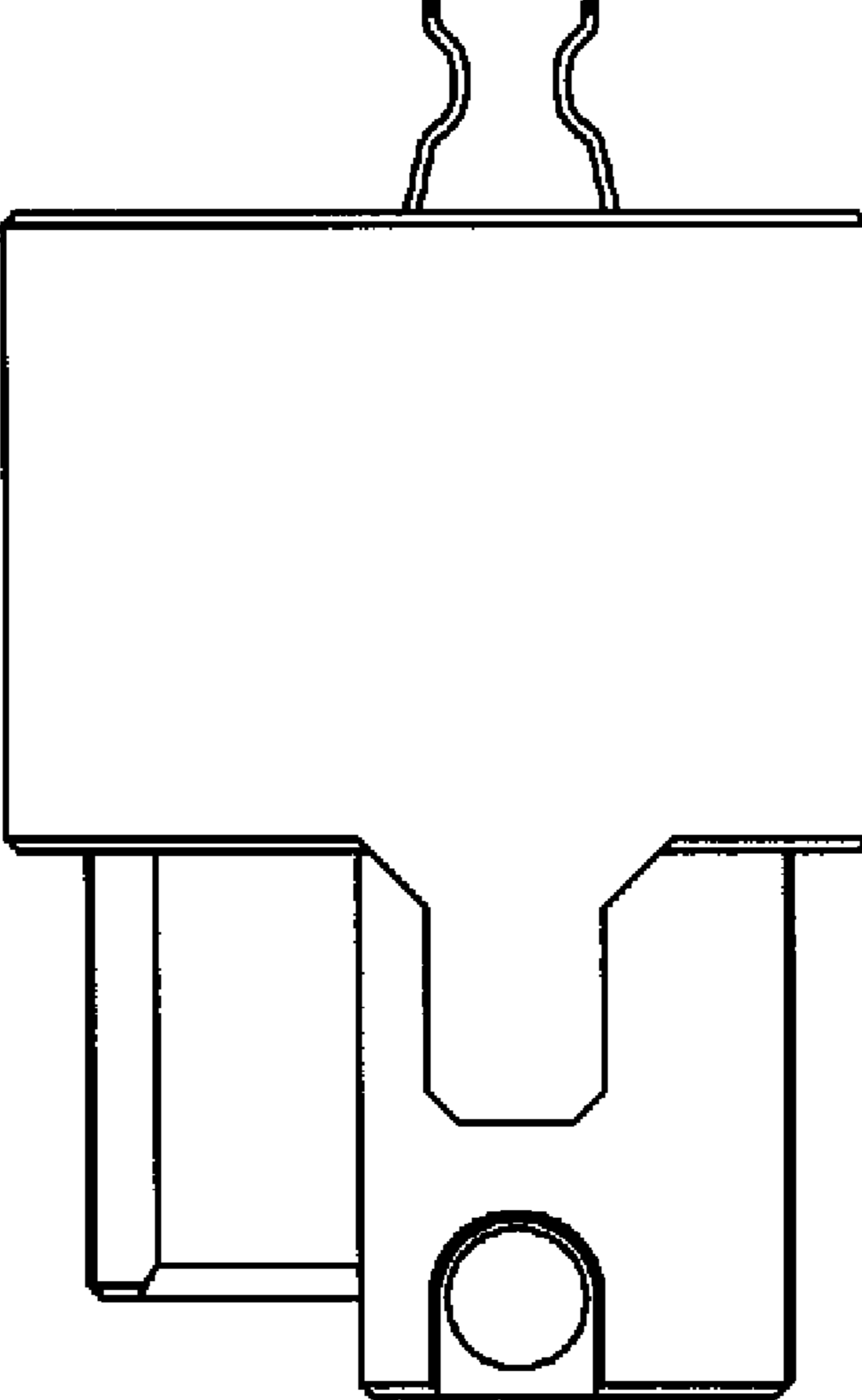


Fig. 6



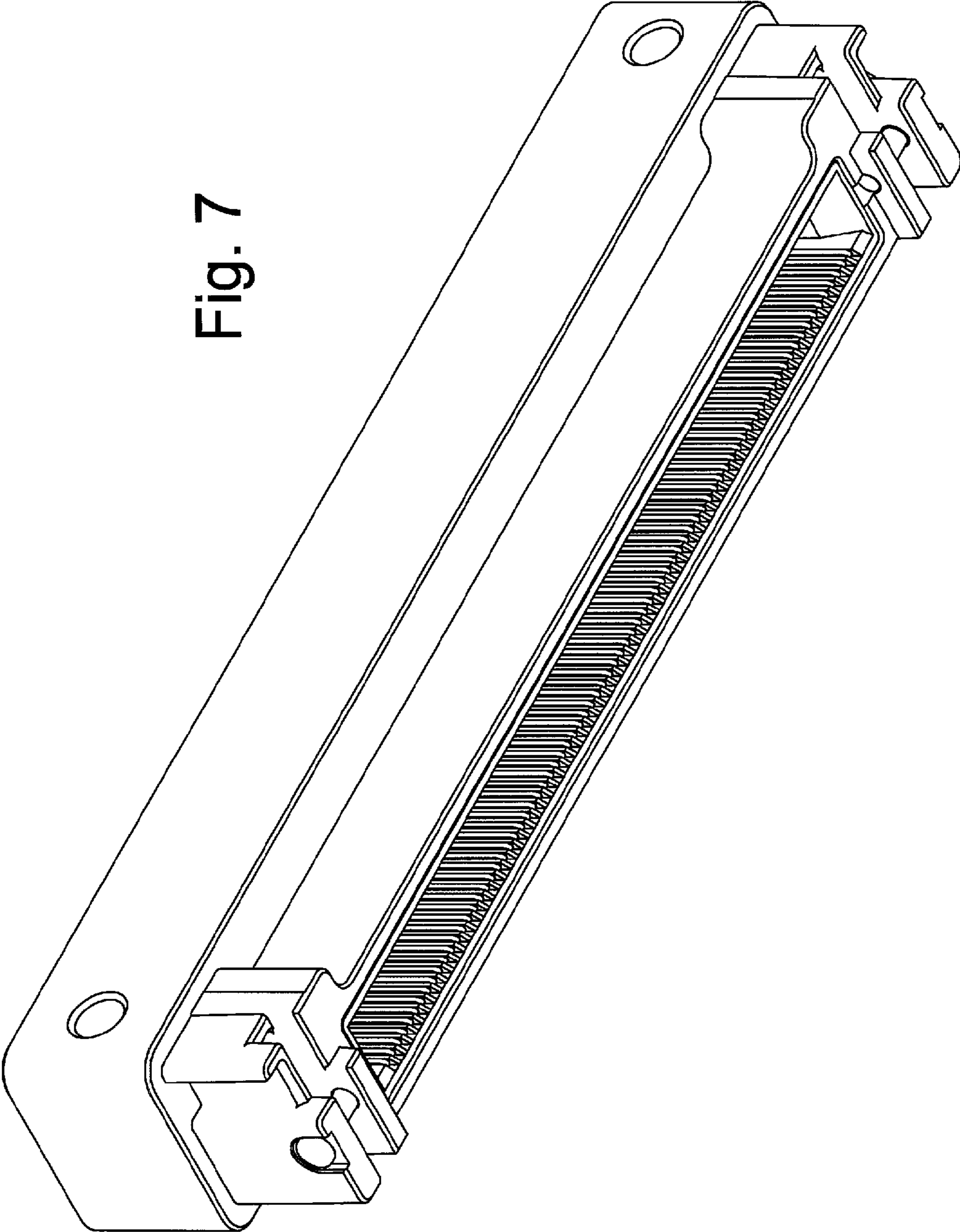


Fig. 7

Fig. 8

