



US00D639744S

(12) **United States Design Patent**
Smith et al.

(10) **Patent No.:** **US D639,744 S**

(45) **Date of Patent:** **** Jun. 14, 2011**

(54) **FEMALE COMPONENT FOR ENVIRONMENTALLY SEALED, COMPACT, HIGH CURRENT, THREE-CONDUCTOR CONNECTOR HOUSING SYSTEM**

(75) Inventors: **Nathan T Smith**, Worcester, MA (US);
Brian F Davies, Acton, MA (US)

(73) Assignee: **Anderson Power Products, Inc.**,
Sterling, MA (US)

(**) Term: **14 Years**

(21) Appl. No.: **29/369,981**

(22) Filed: **Sep. 16, 2010**

(51) **LOC (9) Cl.** **13-03**

(52) **U.S. Cl.** **D13/146**

(58) **Field of Classification Search** D13/133,
D13/146-147, 154, 156, 184; 439/180, 246,
439/252, 278, 314-315, 372, 374, 378, 379,
439/380, 381, 527, 533, 892, 894

See application file for complete search history.

(56) **References Cited**

U.S. PATENT DOCUMENTS

D415,469 S * 10/1999 Lee D13/146
D472,523 S * 4/2003 Hansen D13/146

D509,474 S * 9/2005 Bihrer D13/146
D511,747 S * 11/2005 Rey et al. D13/147
D512,965 S * 12/2005 Dobler D13/146
D559,785 S * 1/2008 Tosetti D13/147
D560,610 S * 1/2008 McCoy D13/146
7,874,860 B2 * 1/2011 Starke et al. 439/320
2008/0194137 A1 * 8/2008 Kuo 439/489

* cited by examiner

Primary Examiner — Daniel Bui

(74) *Attorney, Agent, or Firm* — Vern Maine & Associates

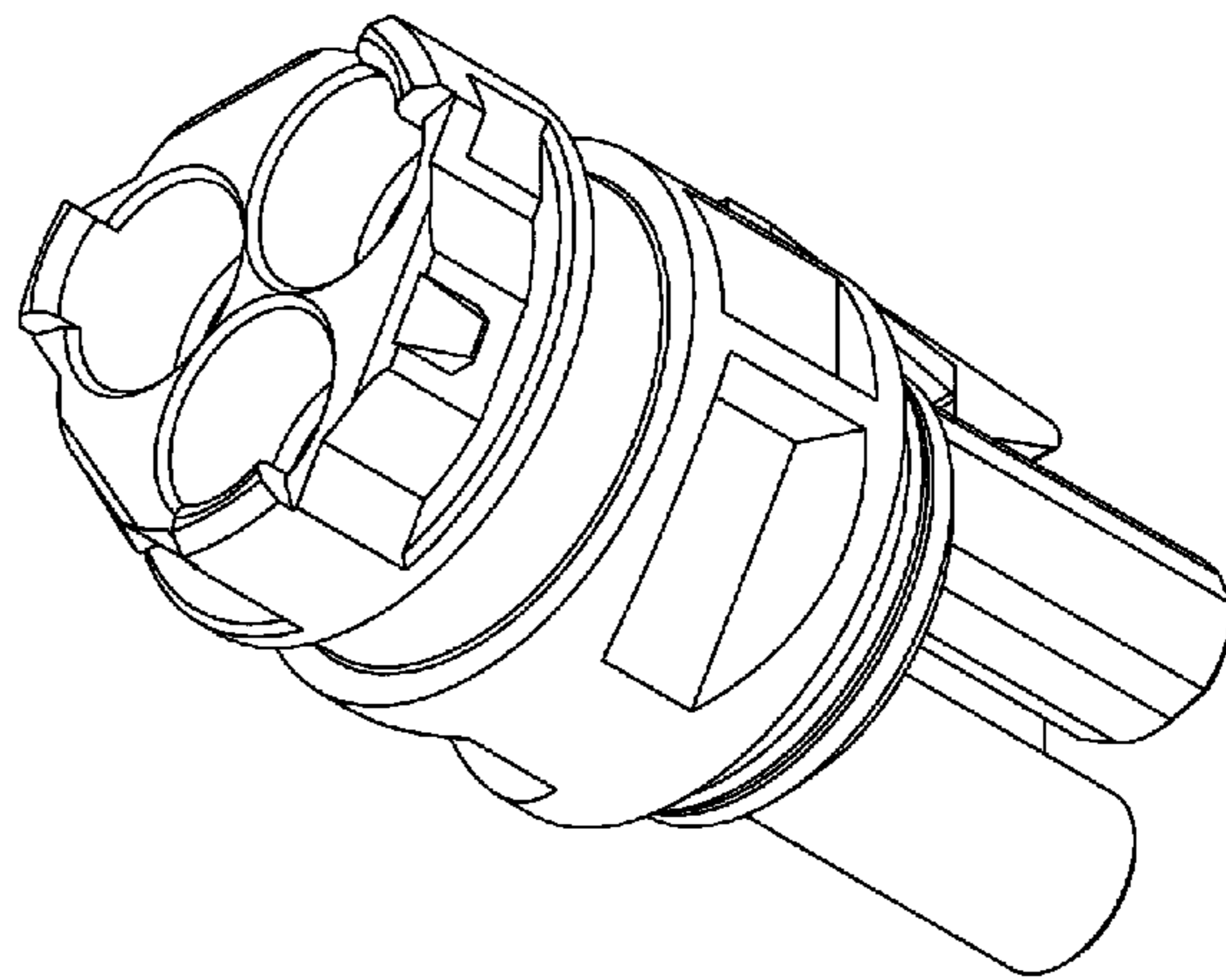
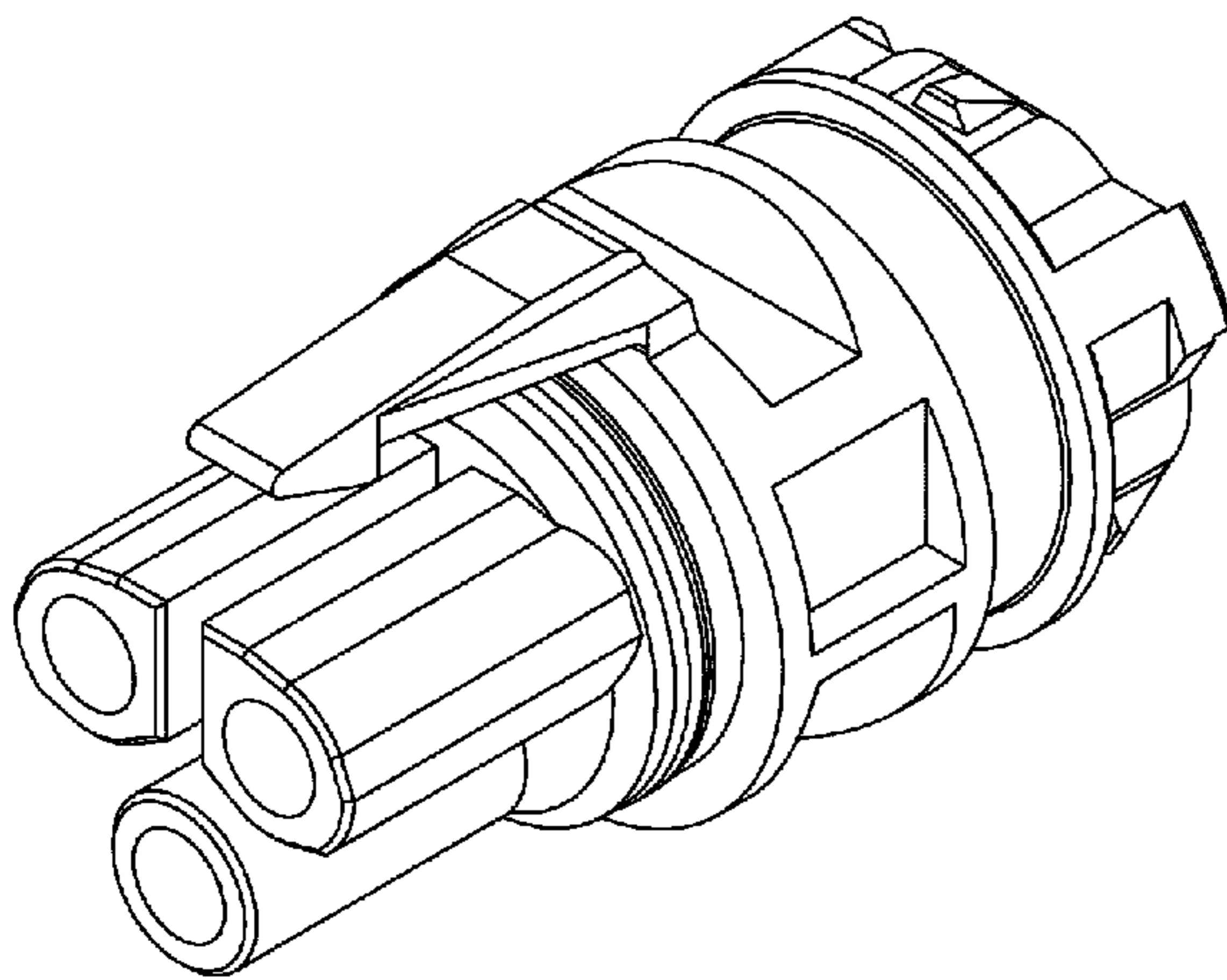
(57) **CLAIM**

The ornamental design for a female component for environmentally sealed, compact, high current, three-conductor connector housing system, as shown and described.

DESCRIPTION

FIG. 1 is a front view of the female component for environmentally sealed, compact, high current, three-conductor connector housing system;
FIG. 2 is a back view thereof;
FIG. 3 is a top view thereof;
FIG. 4 is a bottom view thereof;
FIG. 5 is a right side view thereof;
FIG. 6 is a left side view thereof;
FIG. 7 is a front, top perspective view thereof; and,
FIG. 8 is a back, bottom perspective view thereof.

1 Claim, 8 Drawing Sheets



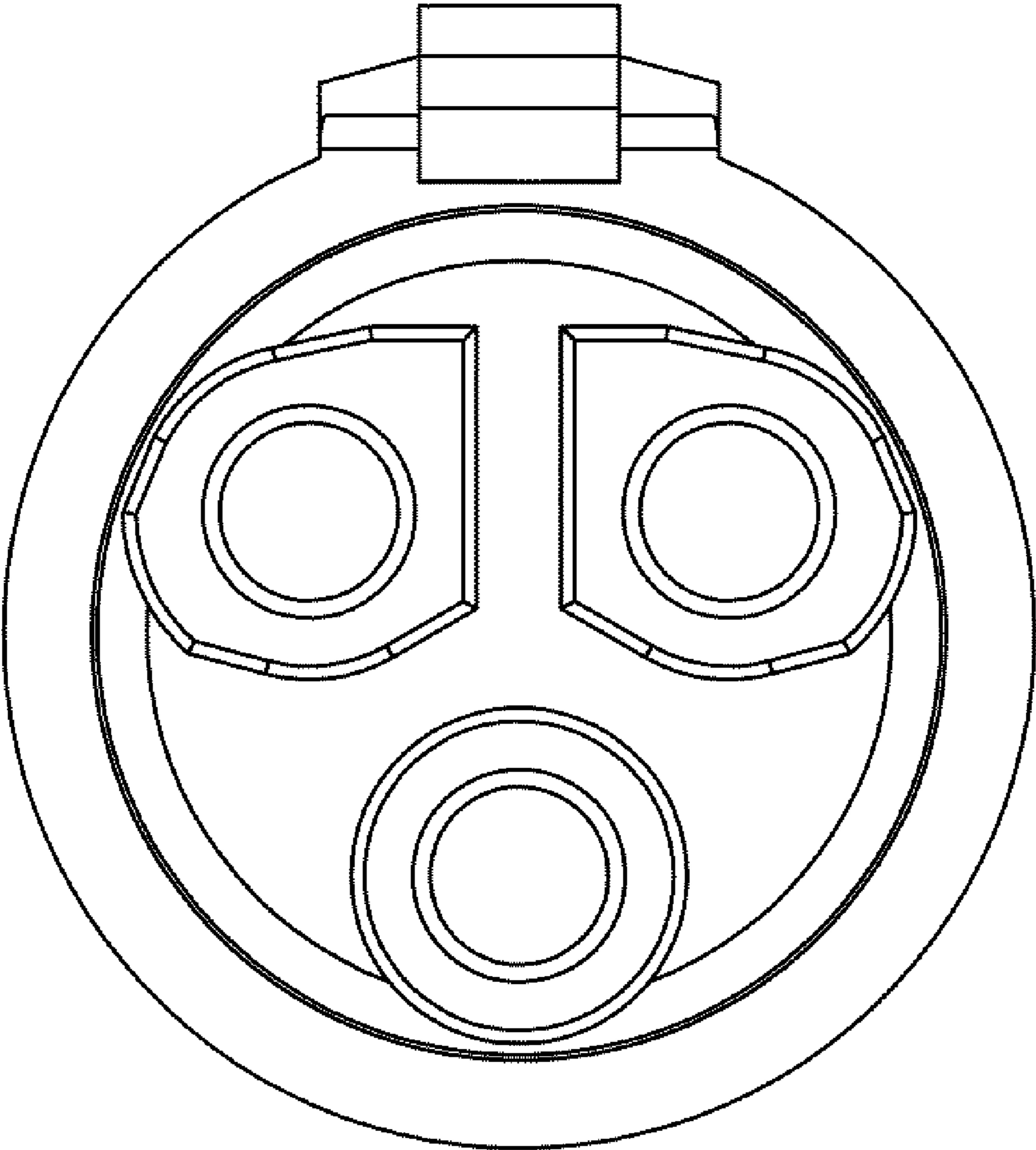


FIG. 1

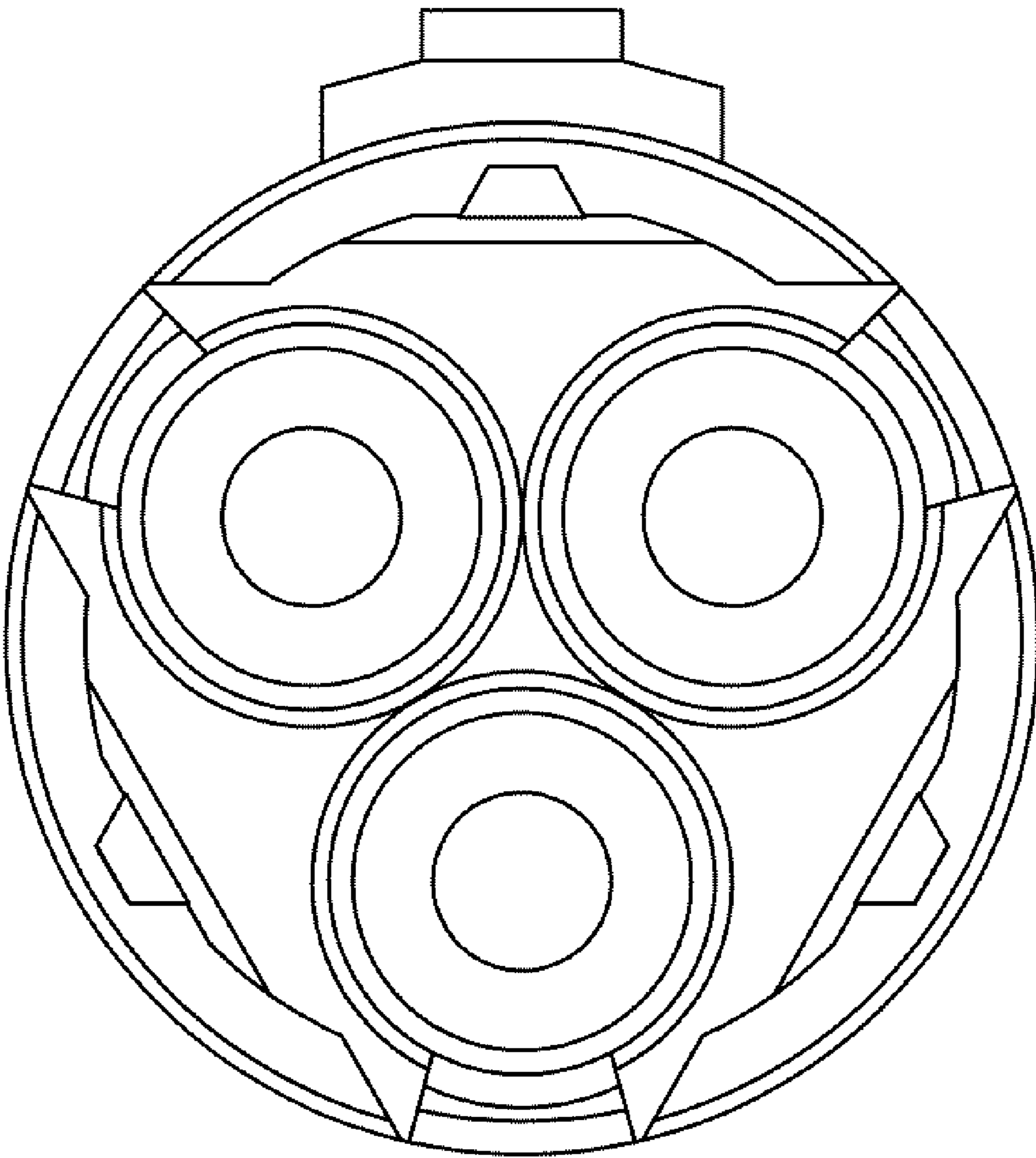


FIG. 2

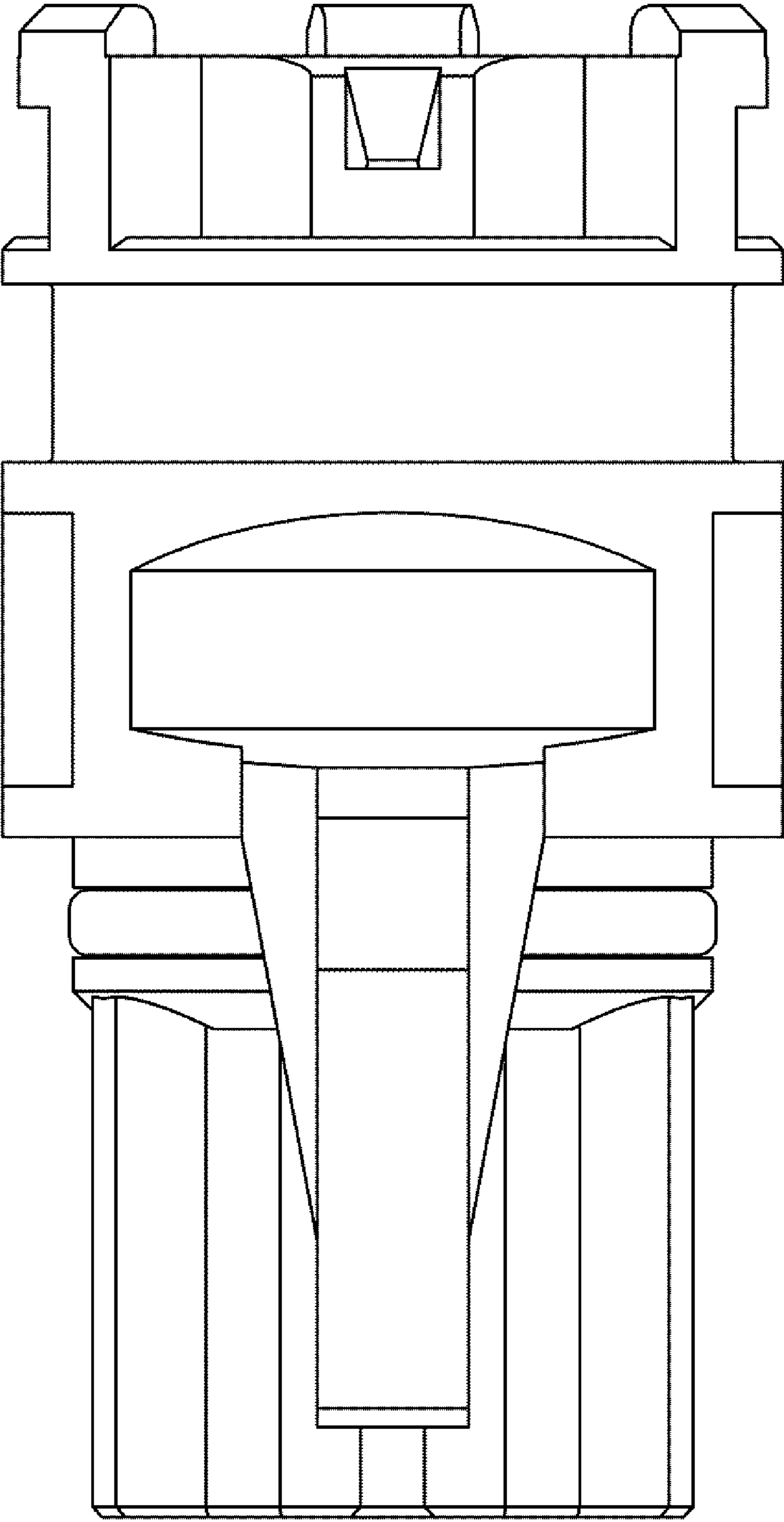


FIG. 3

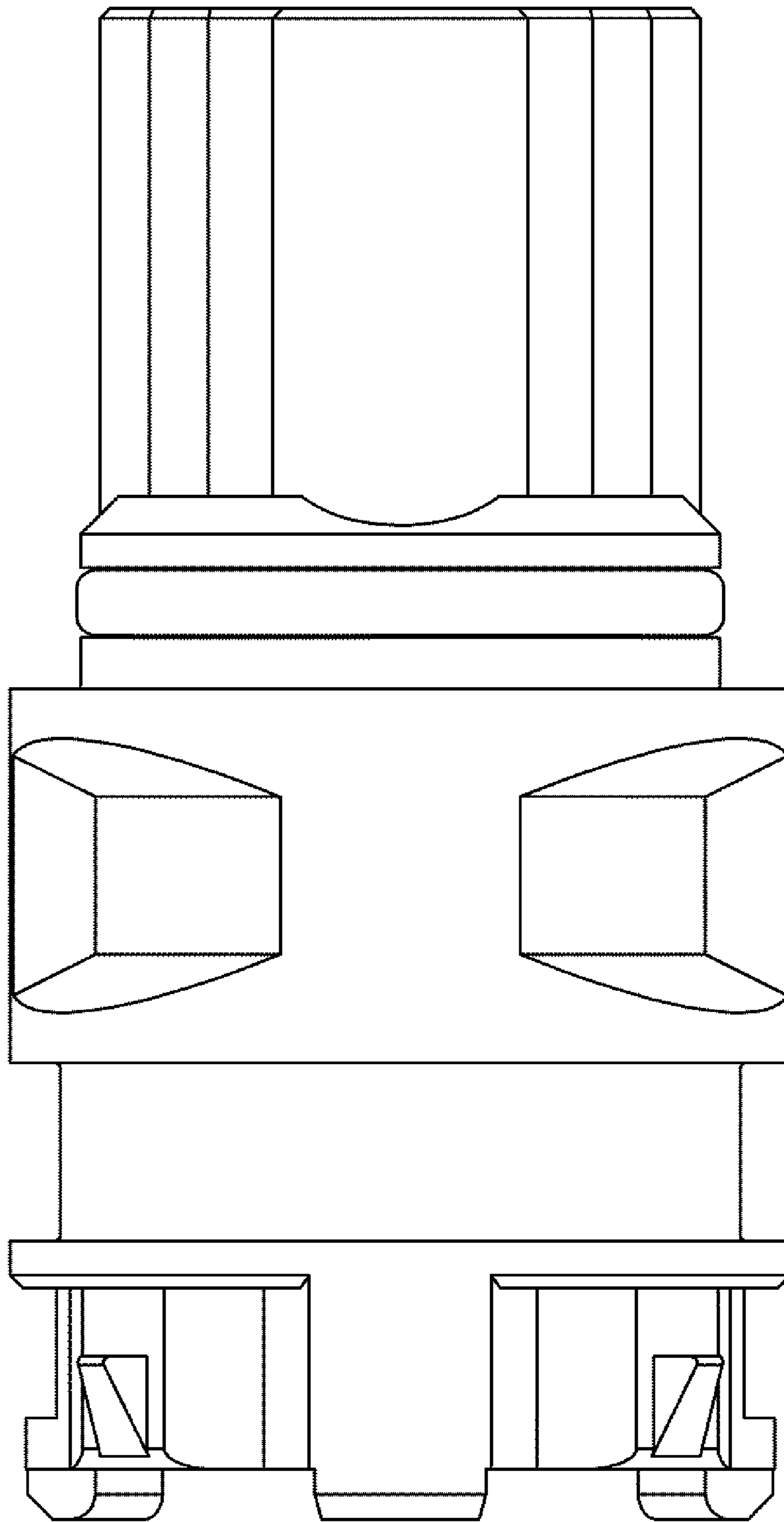


FIG. 4

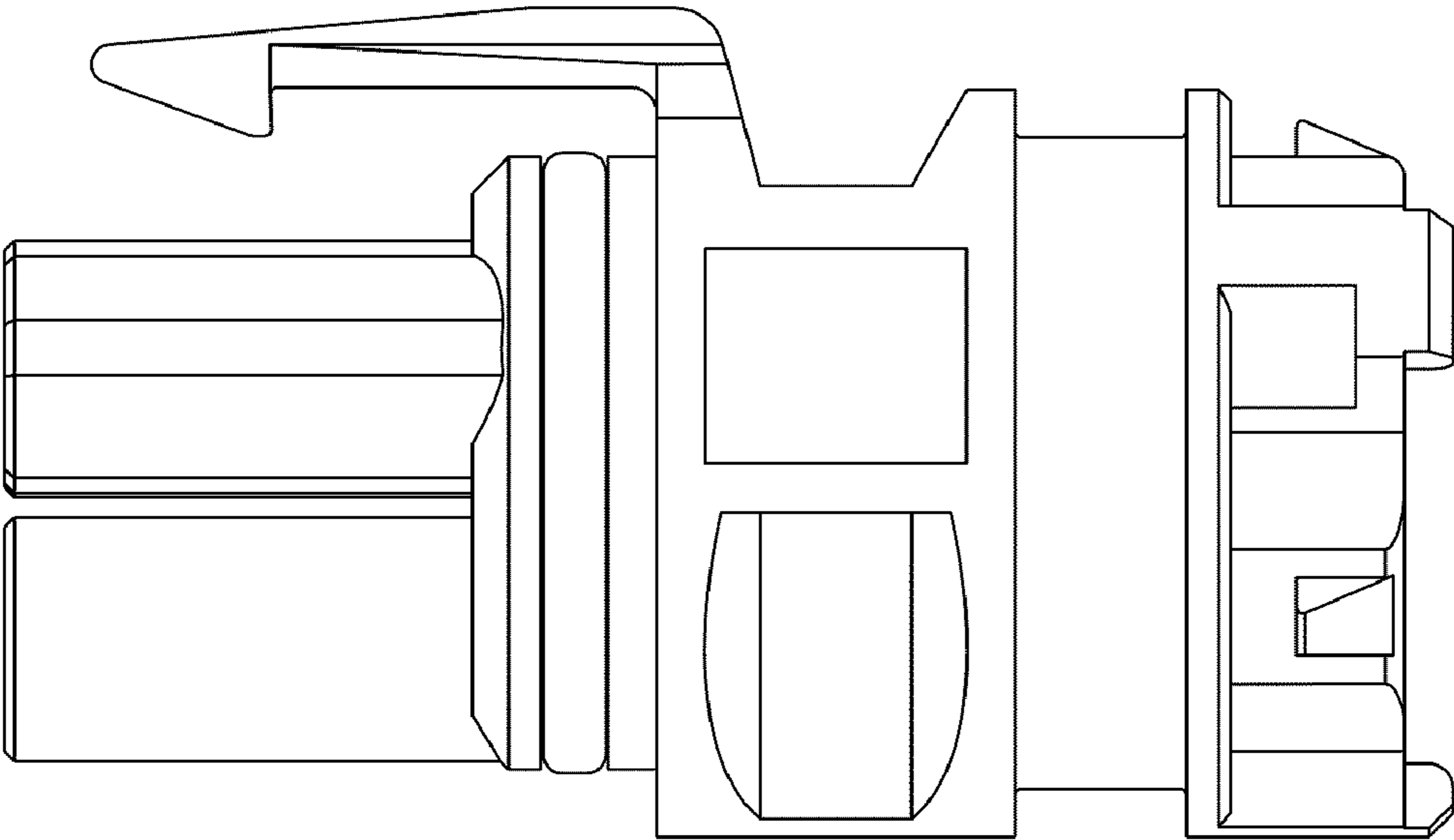


FIG. 5

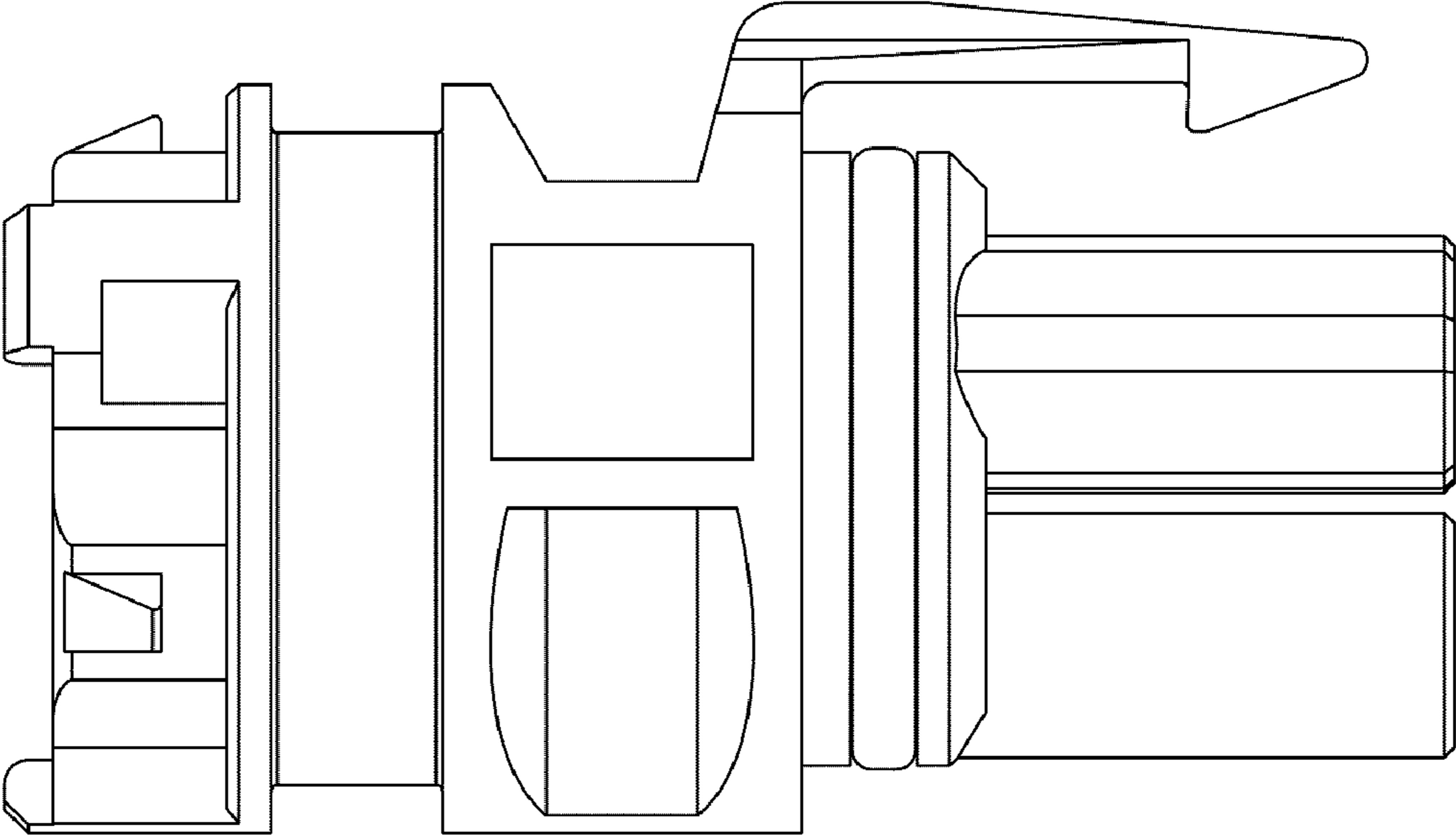


FIG. 6

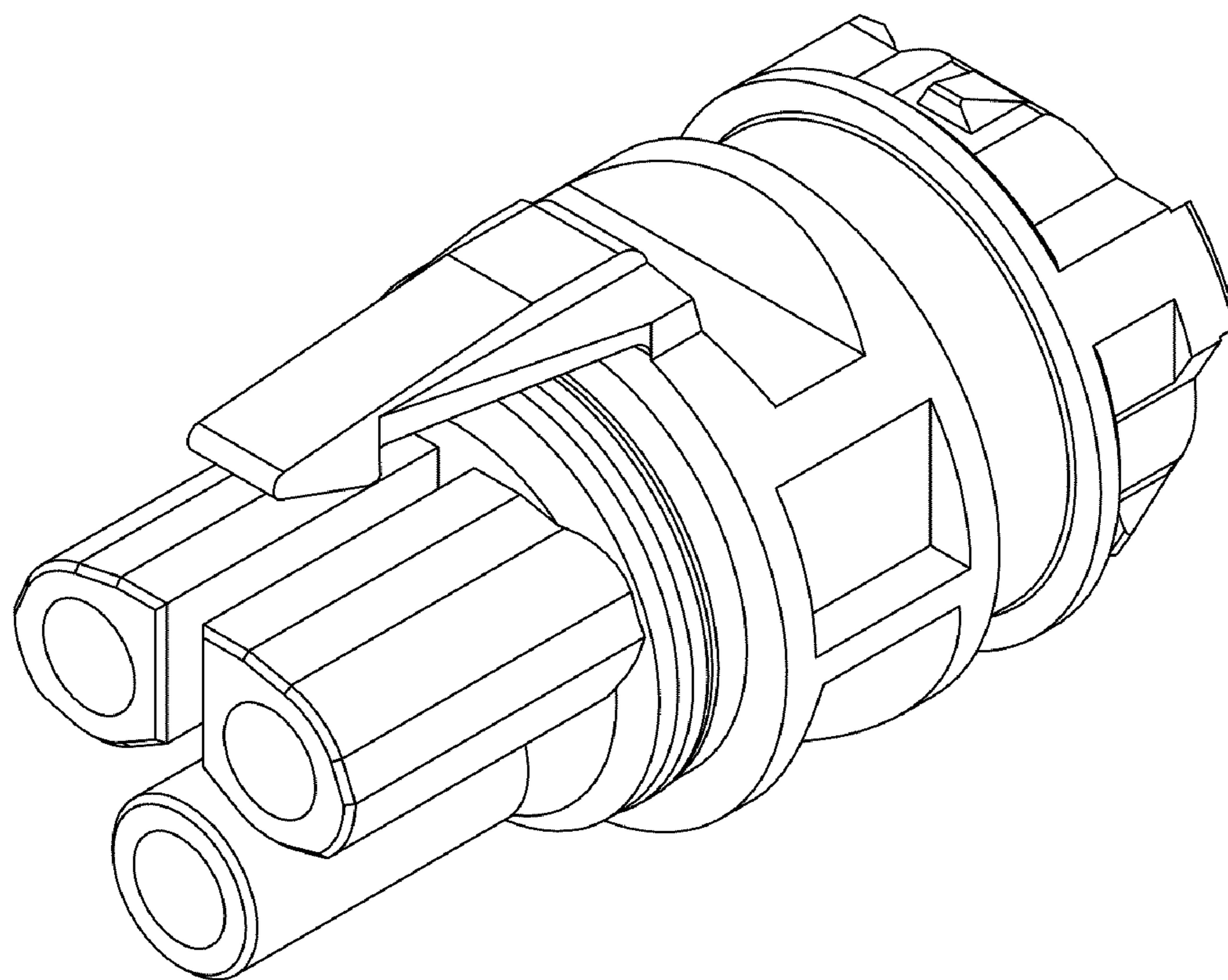


FIG. 7

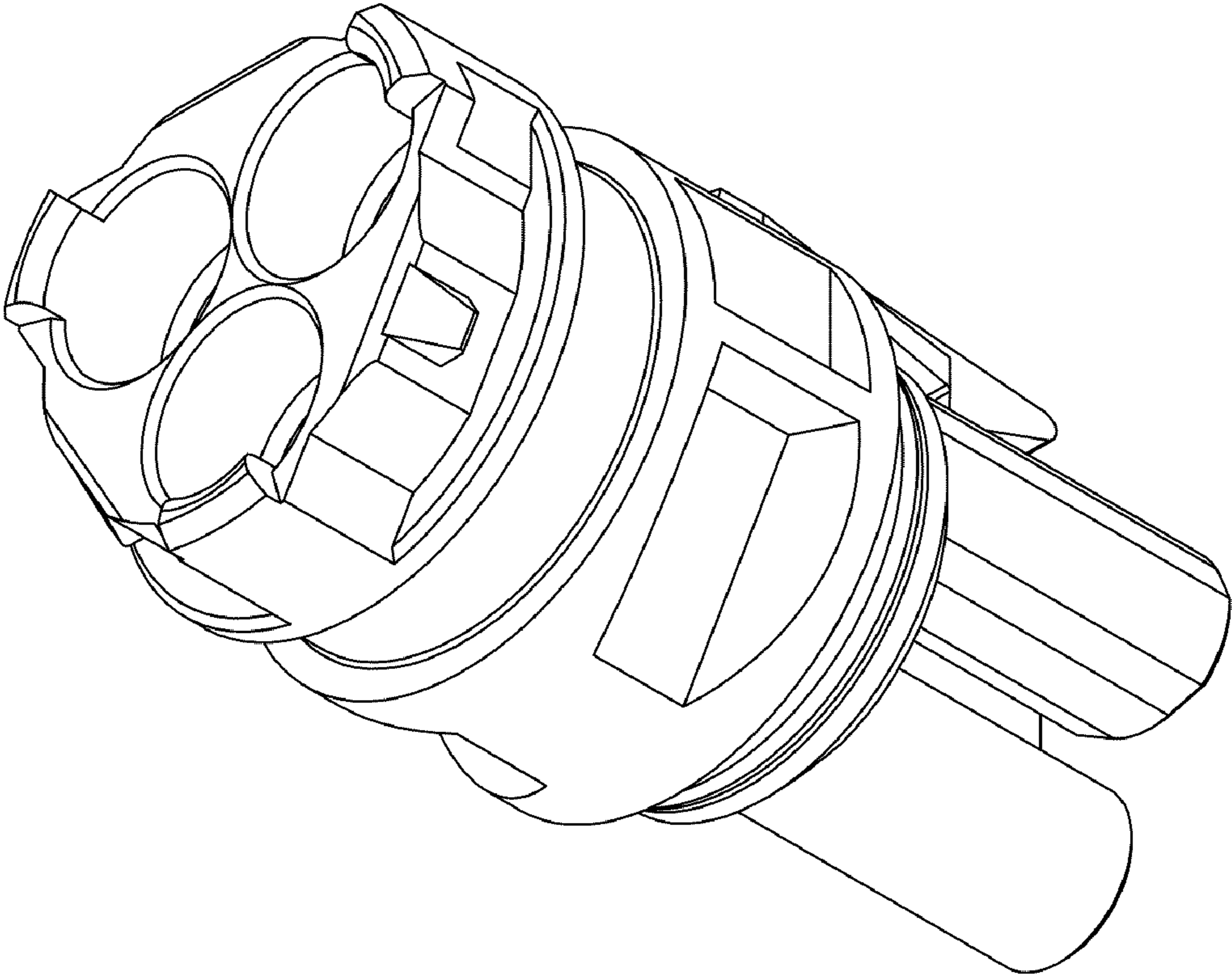


FIG. 8