



US00D639740S

(12) **United States Design Patent**
Chi

(10) **Patent No.:** **US D639,740 S**

(45) **Date of Patent:** **** Jun. 14, 2011**

(54) **AUDIO ADAPTER**

(75) Inventor: **Ming-Chia Chi**, Tu-Cheng (TW)

(73) Assignee: **Cheng Uei Precision Industry Co., Ltd.**, Tu-Cheng, Taipei Hsien (TW)

(**) Term: **14 Years**

(21) Appl. No.: **29/351,543**

(22) Filed: **Dec. 7, 2009**

(51) **LOC (9) Cl.** **13-03**

(52) **U.S. Cl.** **D13/133**

(58) **Field of Classification Search** D13/133,
D13/146-147, 151, 154, 184; 439/63, 350,
439/578, 581, 582, 585, 625, 675, 668-669,
439/732, 842, 844, 851, 852, 854-857, 865-867,
439/872, 877, 884

See application file for complete search history.

(56) **References Cited**

U.S. PATENT DOCUMENTS

D313,790 S *	1/1991	Hirabayashi	D13/133
6,637,946 B2 *	10/2003	Cheng	385/77
D531,991 S *	11/2006	Chau	D14/217
D588,999 S *	3/2009	Ho et al.	D13/154

7,553,195 B2 *	6/2009	Matsumoto et al.	439/669
D596,137 S *	7/2009	Sakamoto	D13/154
D596,569 S *	7/2009	Lin	D13/133
D604,243 S *	11/2009	Thorner	D13/133
D604,252 S *	11/2009	Yudate	D13/154
D607,820 S *	1/2010	Thorner	D13/133
D619,127 S *	7/2010	Tong et al.	D14/240
7,824,228 B1 *	11/2010	Yang et al.	439/668
2009/0197475 A1 *	8/2009	Guo et al.	439/688

* cited by examiner

Primary Examiner — Thomas J Johannes

(74) *Attorney, Agent, or Firm* — Cheng-Ju Chiang

(57) **CLAIM**

The ornamental design for an audio adapter, as shown and described.

DESCRIPTION

FIG. 1 is a perspective view of an audio adapter showing my new design;

FIG. 2 is a front elevational view thereof;

FIG. 3 is a rear elevational view thereof;

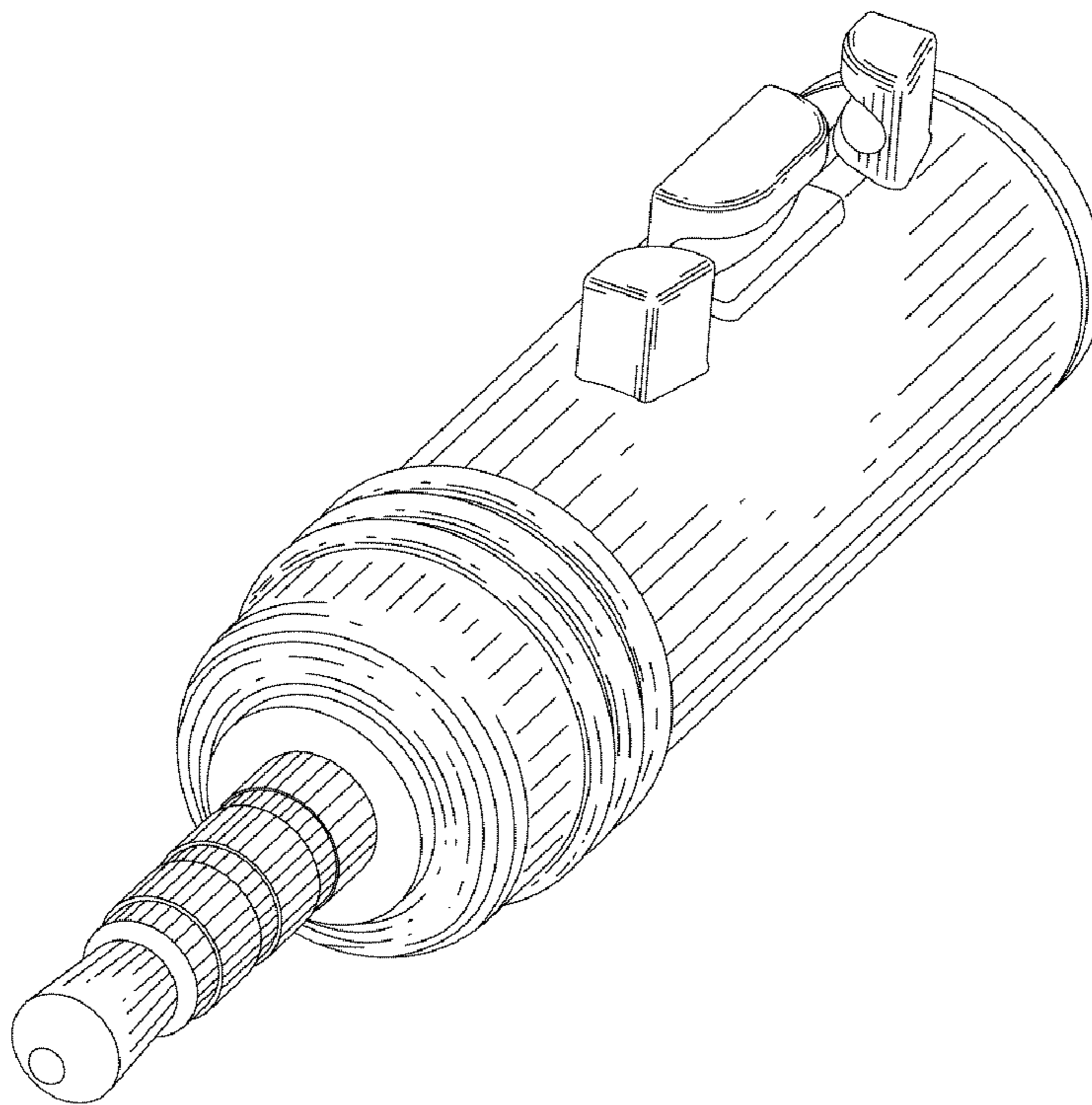
FIG. 4 is a left side elevational view thereof;

FIG. 5 is a right side elevational view thereof;

FIG. 6 is a top plan view thereof; and,

FIG. 7 is a bottom plan view thereof.

1 Claim, 7 Drawing Sheets



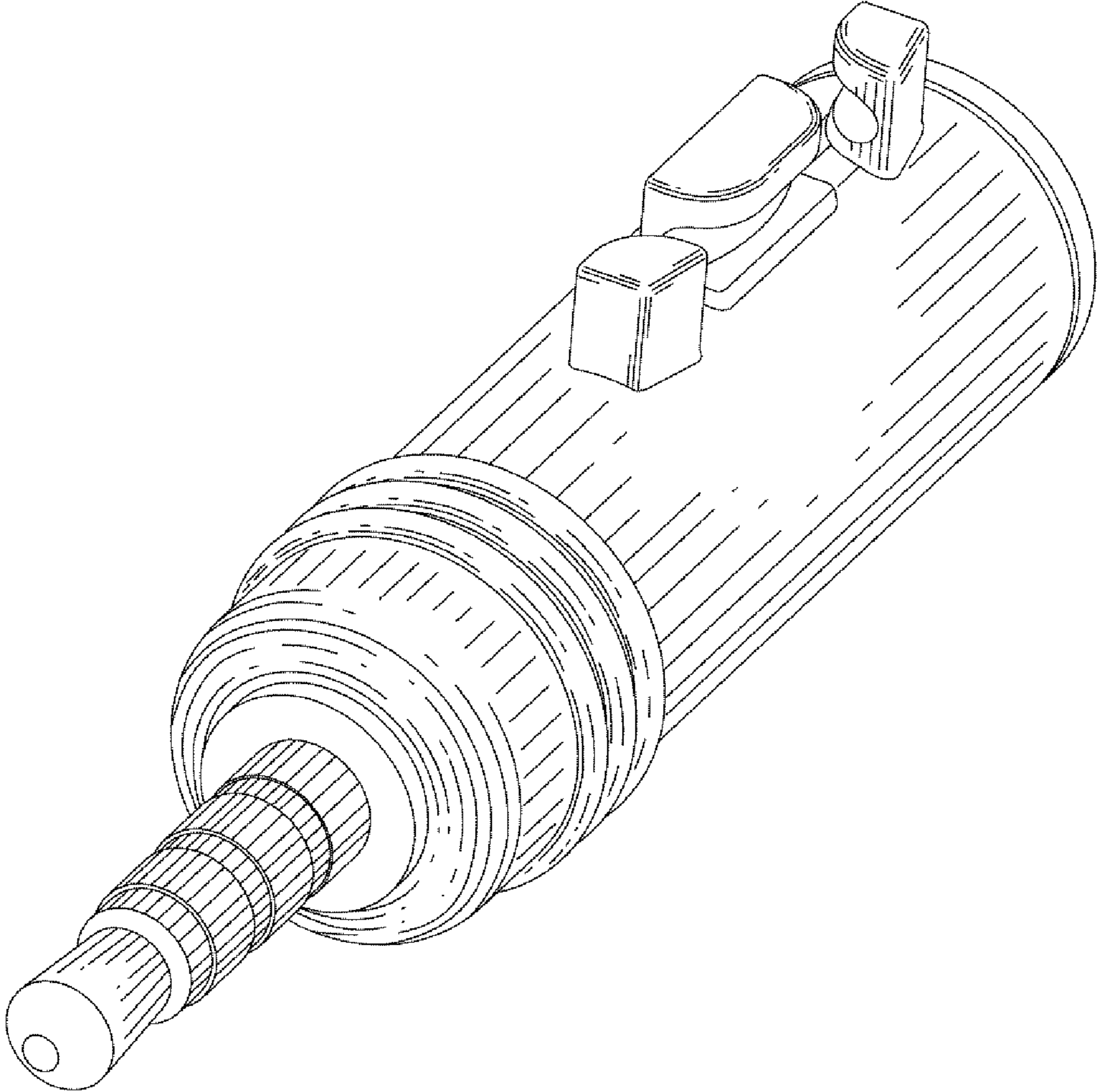


FIG. 1

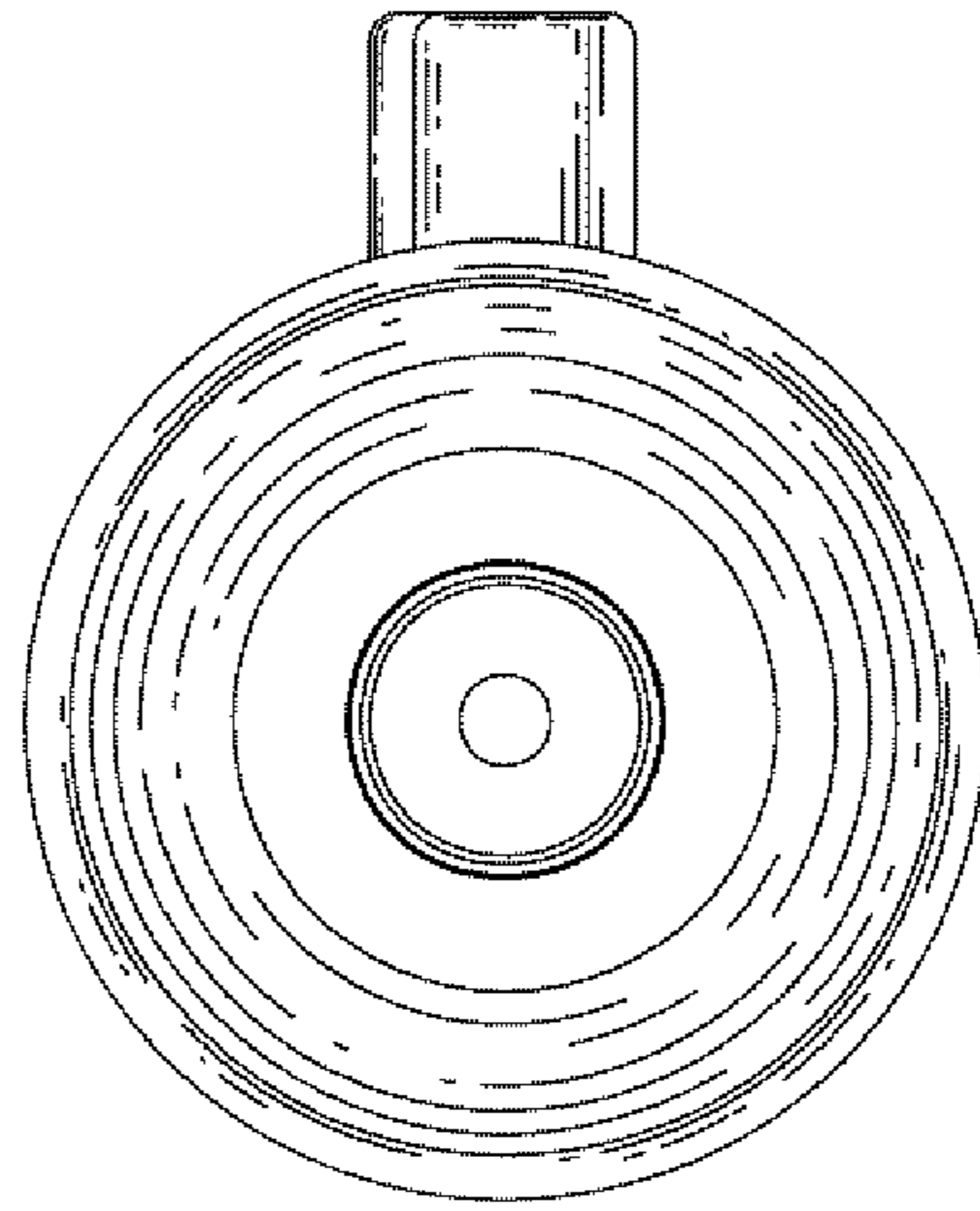


FIG. 2

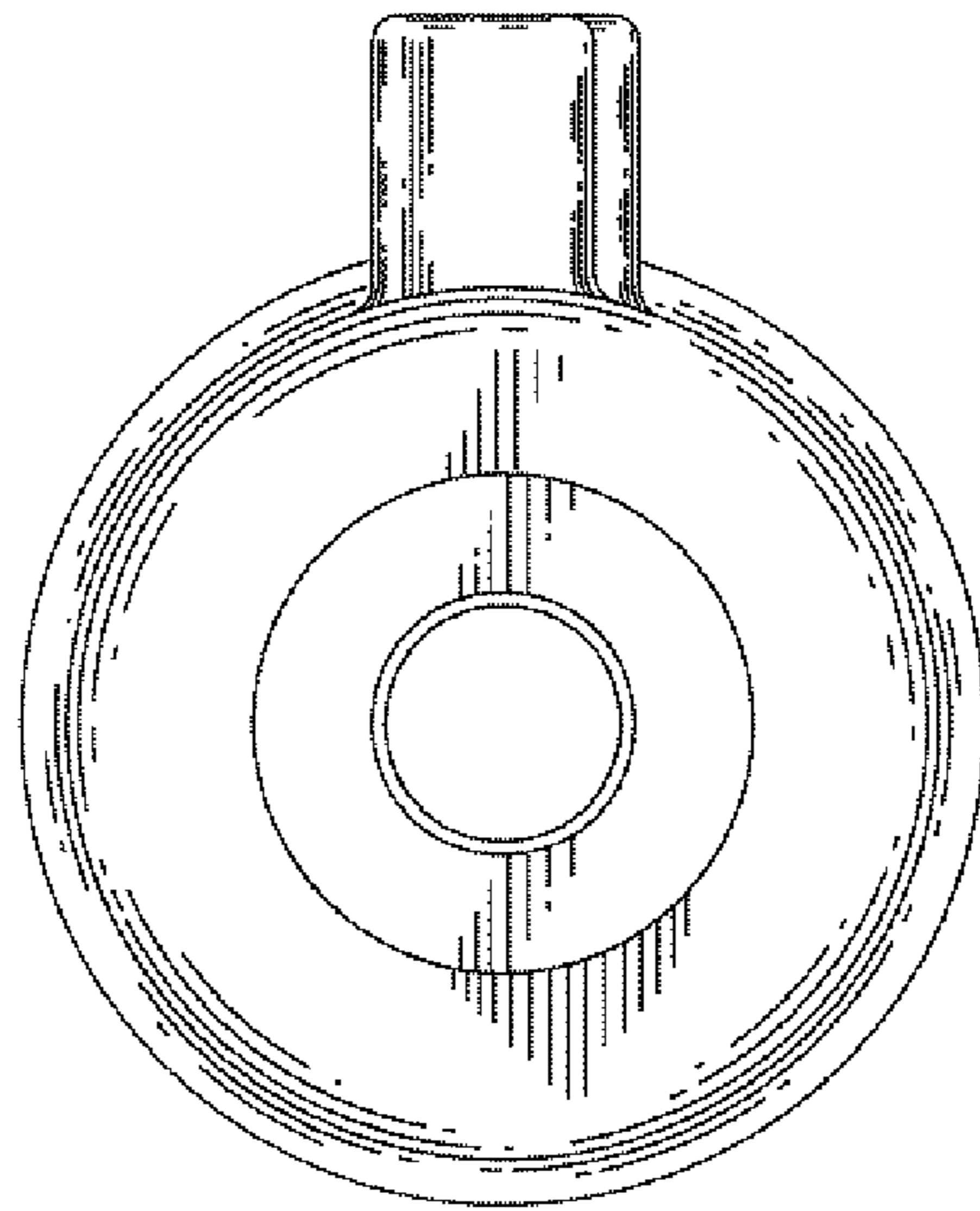


FIG. 3

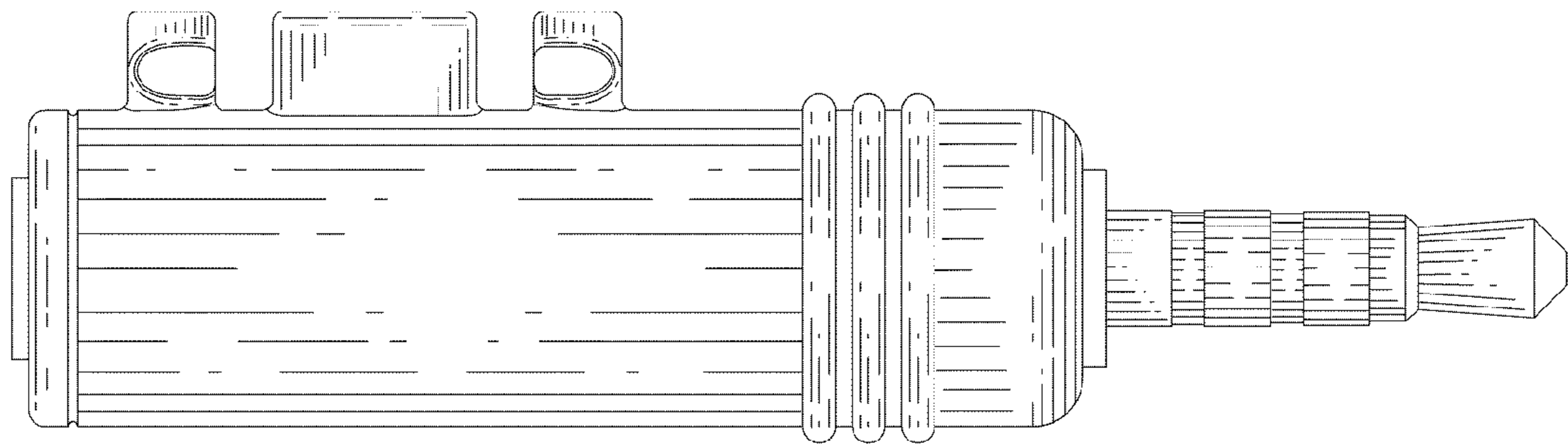


FIG. 4

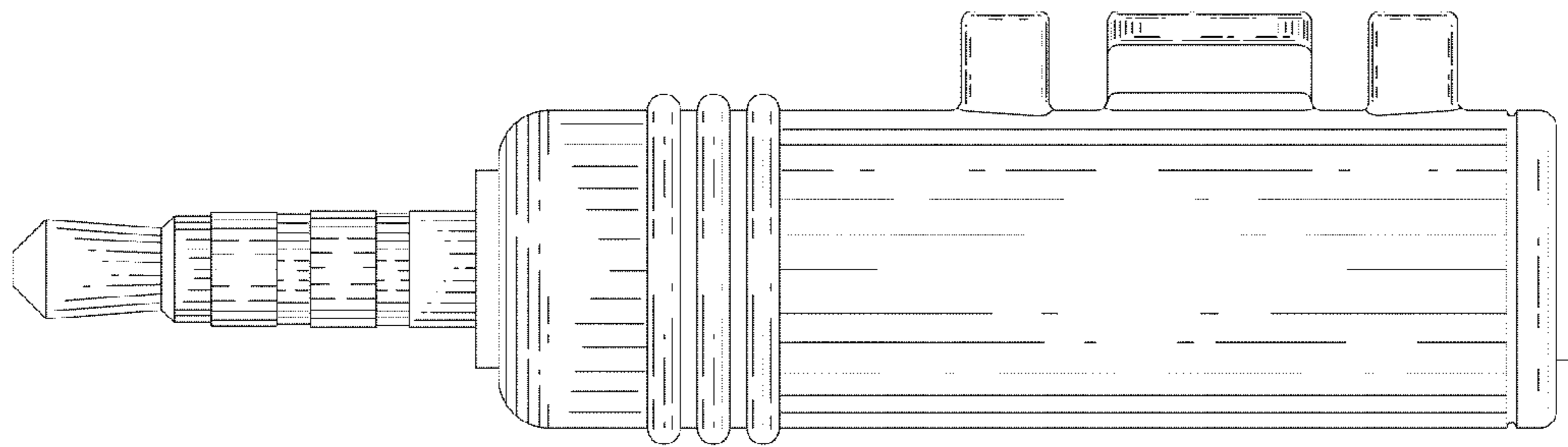


FIG. 5

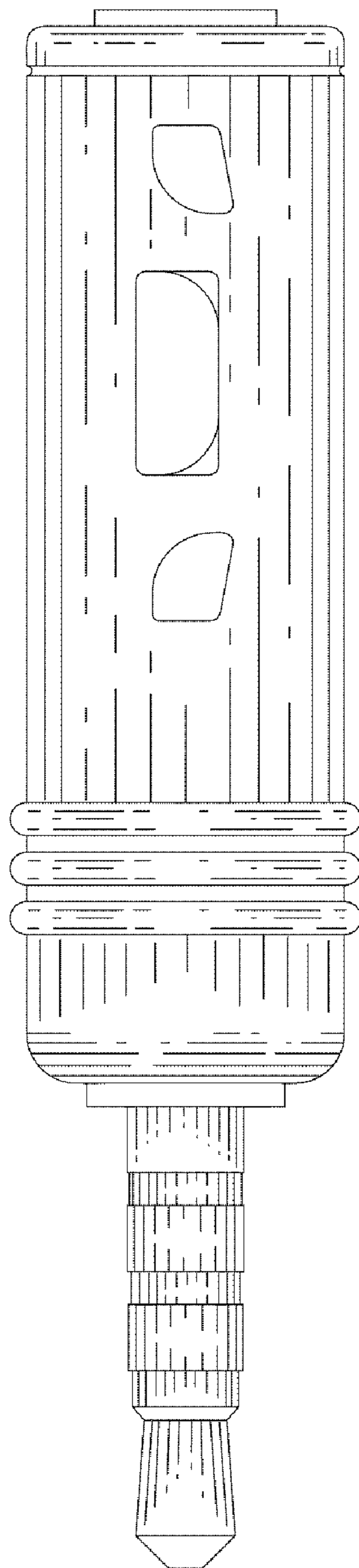


FIG. 6

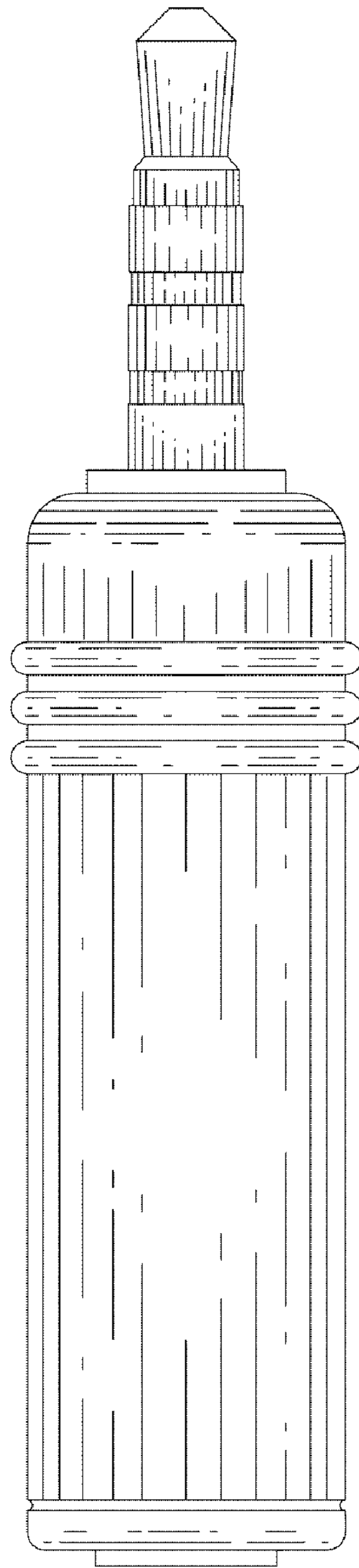


FIG. 7